



US00D367401S

**United States Patent** [19]  
**Orthwein**

[11] **Patent Number: Des. 367,401**

[45] **Date of Patent: \*\*Feb. 27, 1996**

[54] **FIRE STARTER**

3,515,525 6/1970 Fearon ..... 44/38

[76] Inventor: **Richard J. Orthwein**, 6821 Grand Blvd., Oklahoma City, Okla. 73116

*Primary Examiner*—Alan P. Douglas  
*Assistant Examiner*—M. N. Pandozzi  
*Attorney, Agent, or Firm*—Bill D. McCarthy; Louis W. Watson; Phillip L. Free, Jr.

[\*\*] Term: **14 Years**

[21] Appl. No.: **27,733**

[57] **CLAIM**

[22] Filed: **Aug. 29, 1994**

The ornamental design for a fire starter, as shown and described.

[52] U.S. Cl. .... **D7/416; D7/417**

[58] **Field of Search** ..... D7/416, 47; D27/139, D27/141, 142, 147; 126/25 B; 44/522, 530

**DESCRIPTION**

FIG. 1 is a perspective view of a fire starter showing my new design;

FIG. 2 is a top plan view thereof;

FIG. 3 is a bottom plan view thereof;

FIG. 4 is an elevational view of one side thereof, the opposite side being a mirror image thereof;

FIG. 5 is an elevational view of the front end thereof; and,

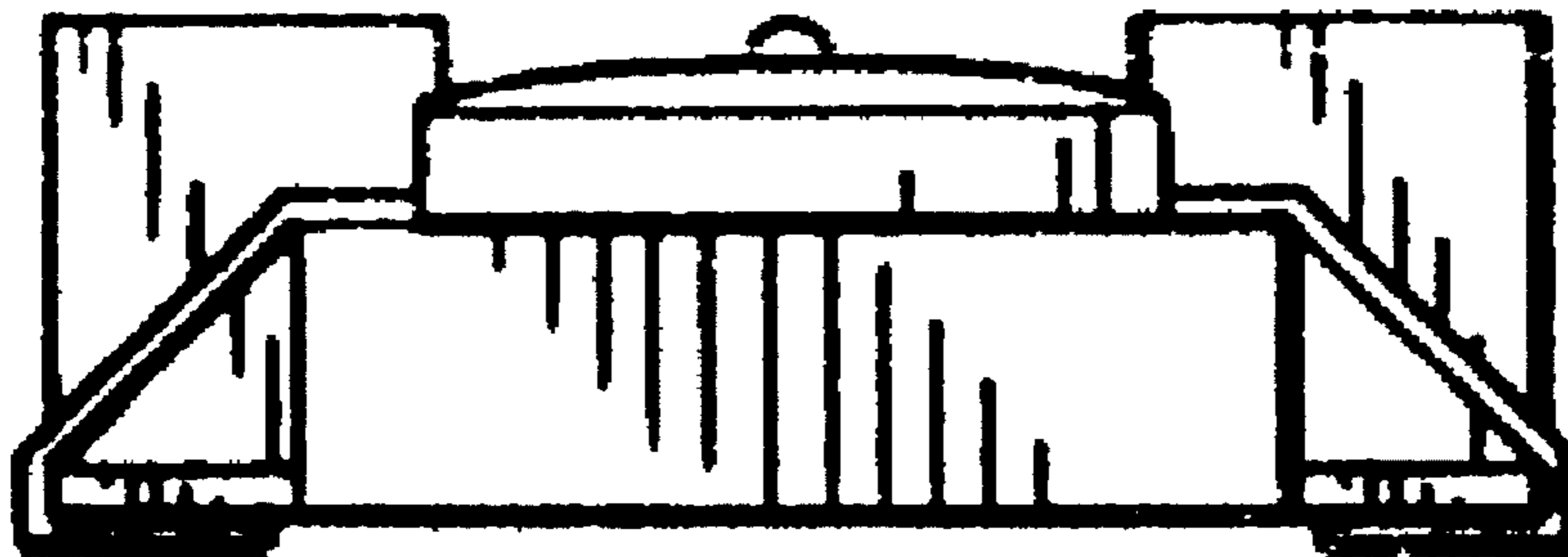
FIG. 6 is an elevational view of the rear end thereof.

[56] **References Cited**

**U.S. PATENT DOCUMENTS**

|            |         |             |       |           |
|------------|---------|-------------|-------|-----------|
| D. 25,175  | 2/1896  | Cooke       | ..... | D27/139   |
| D. 285,334 | 8/1986  | Johnson     | ..... | D7/416    |
| D. 293,365 | 12/1987 | George      | ..... | D27/147 X |
| D. 296,016 | 5/1988  | Carr et al. | ..... | D7/416    |
| D. 343,337 | 1/1994  | Johnston    | ..... | D7/416    |

**1 Claim, 1 Drawing Sheet**



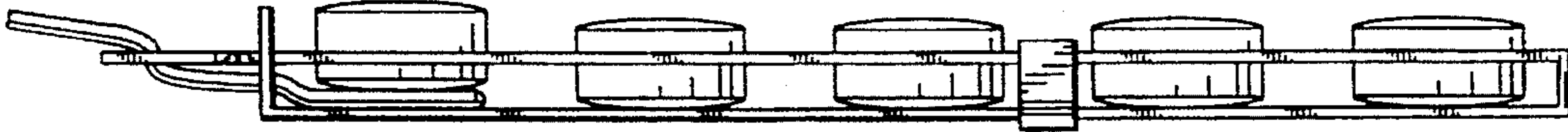
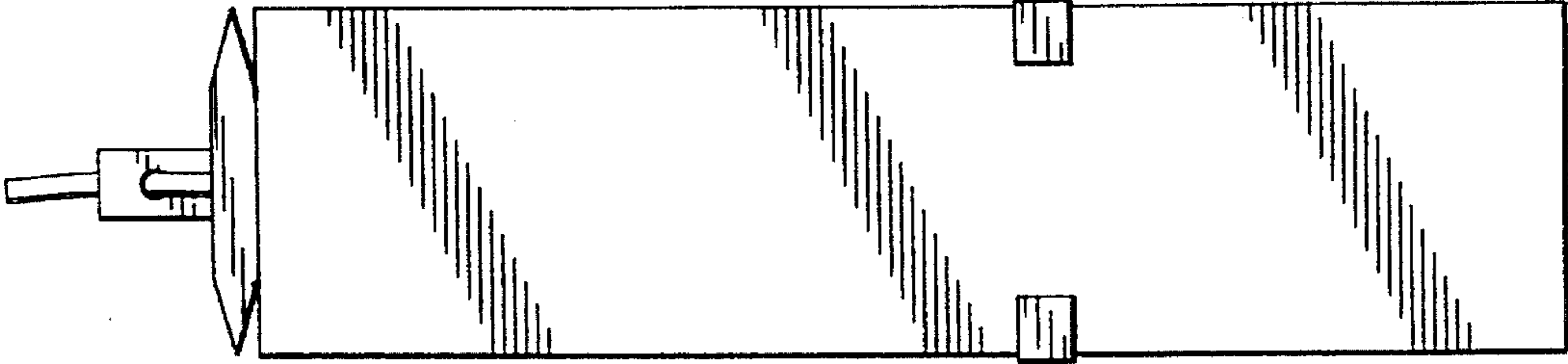
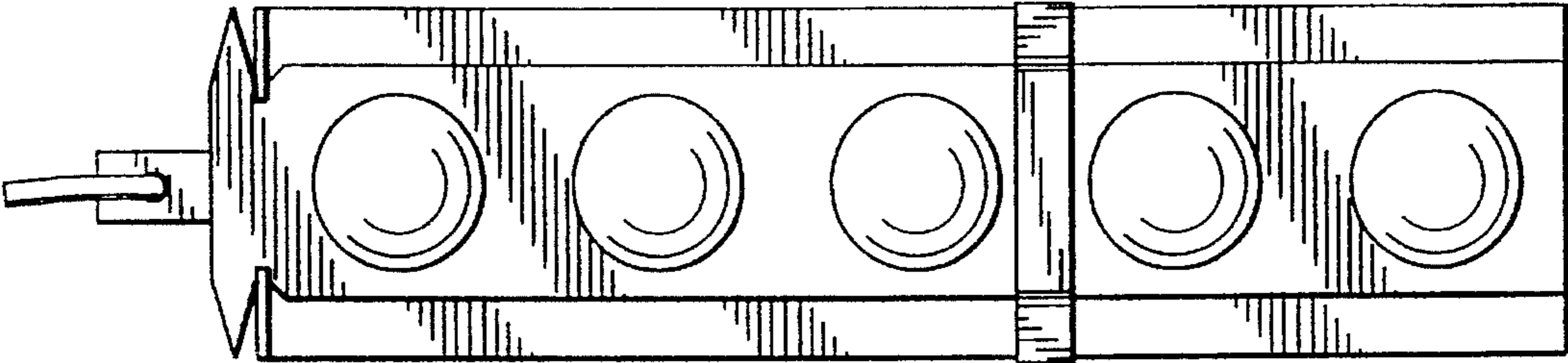
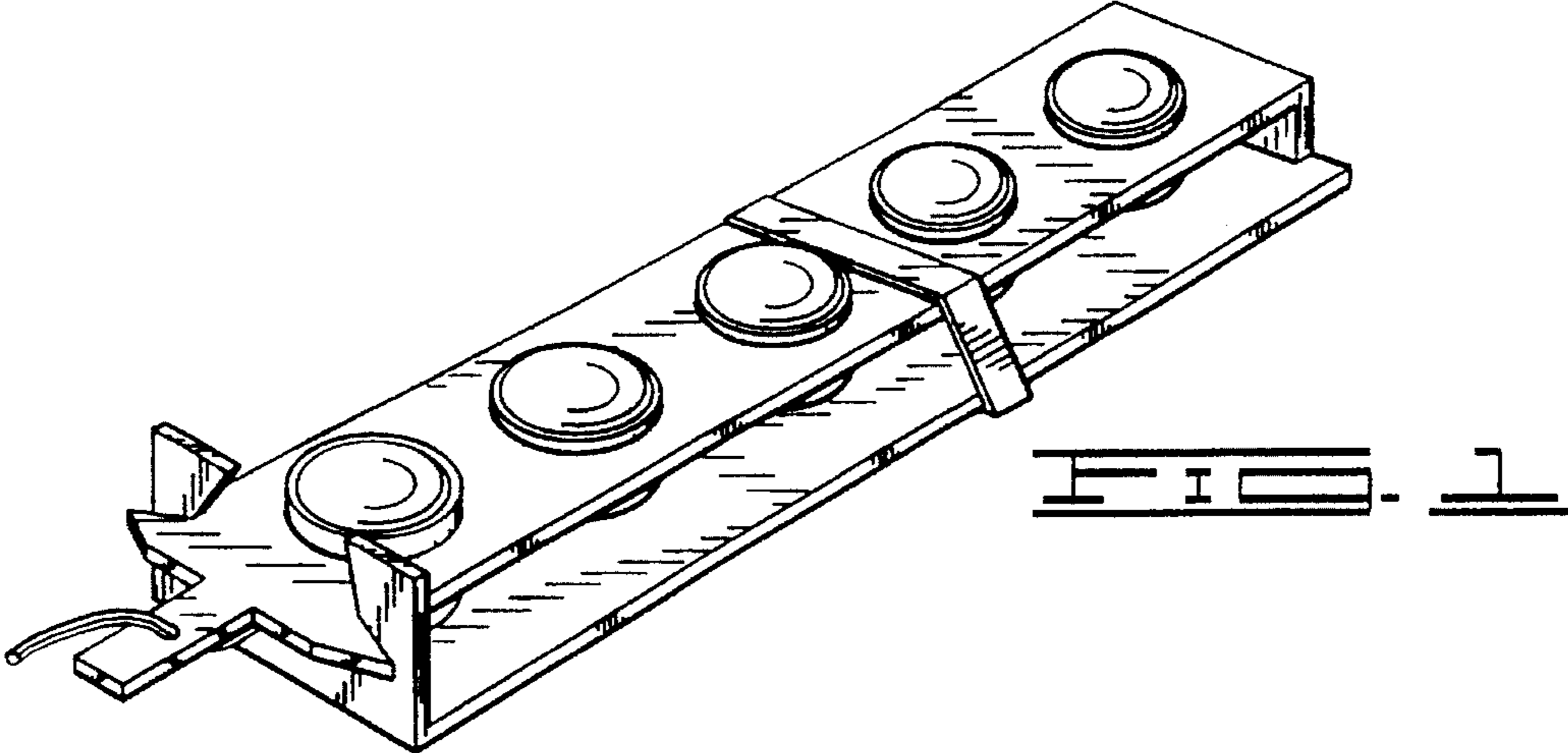


FIG. 5

FIG. 6