



US00D367400S

United States Patent [19]

Viemeister et al.

[11] Patent Number: **Des. 367,400**

[45] Date of Patent: ****Feb. 27, 1996**

[54] **HAND MIXER**

[75] Inventors: **Tucker Viemeister; Scott Henderson,**
both of New York, N.Y.

[73] Assignee: **Conair Corporation,** Stamford, Conn.

[**] Term: **14 Years**

[21] Appl. No.: **36,741**

[22] Filed: **Mar. 27, 1995**

[52] U.S. Cl. **D7/379**

[58] Field of Search **D7/376-380, 412;**
241/168, 169.1; 366/129, 130, 197, 199,
204, 205, 314

[56] **References Cited**

U.S. PATENT DOCUMENTS

- D. 178,266 7/1956 Swann D7/379
- D. 338,371 8/1993 Thomas D7/376 X

Primary Examiner—Alan P. Douglas

Assistant Examiner—Caron D. Veynar
Attorney, Agent, or Firm—Haynes N. Johnson

[57] **CLAIM**

The ornamental design for a hand mixer, as shown and described.

DESCRIPTION

FIG. 1 is a perspective view of a hand mixer showing our new design;

FIG. 2 is a top plan view thereof;

FIG. 3 is a bottom plan view thereof;

FIG. 4 is a right side elevation view thereof;

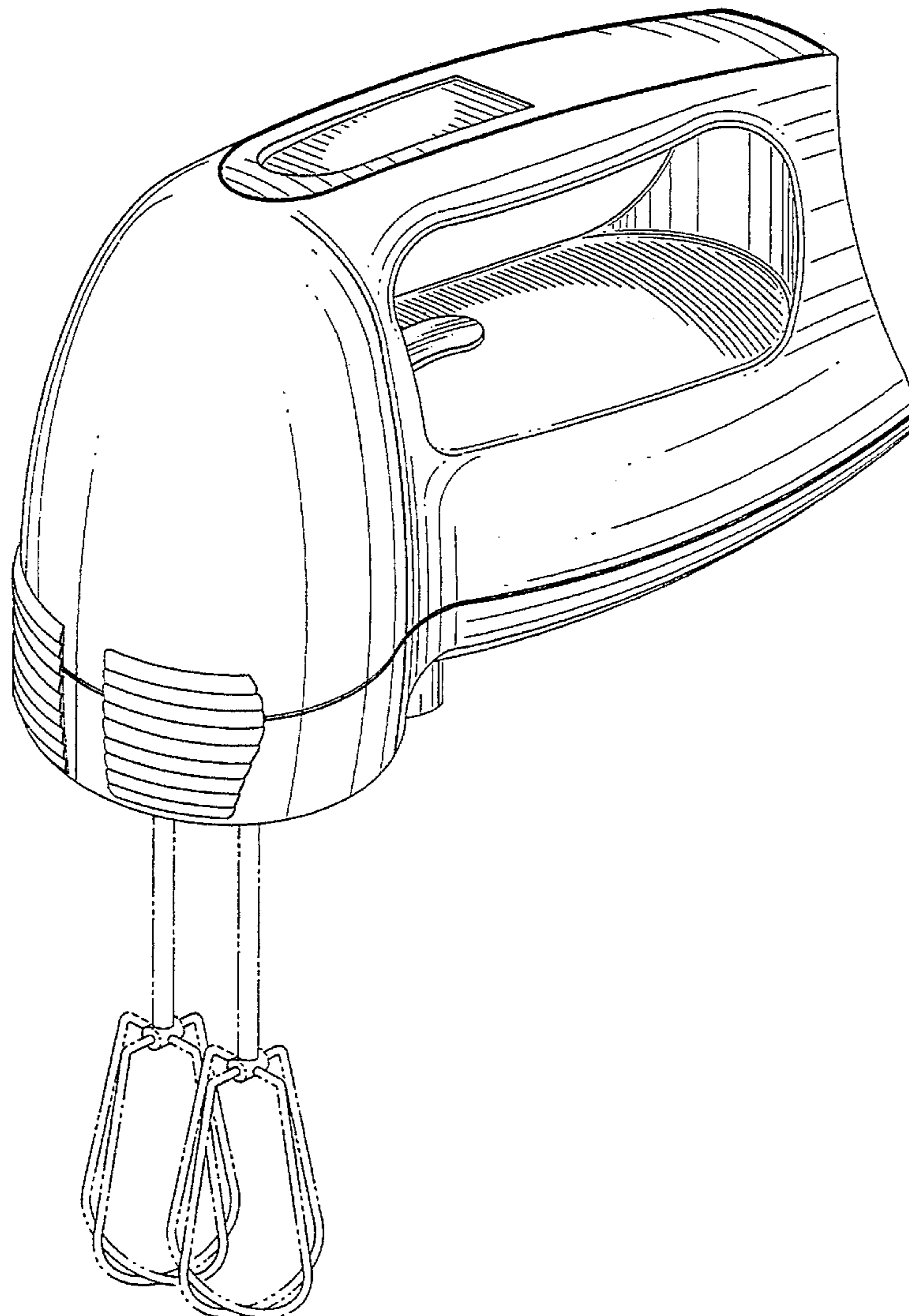
FIG. 5 is a left side elevation view thereof;

FIG. 6 is a front elevaton view thereof; and,

FIG. 7 is a rear elevation view thereof.

The broken line showing of beaters on FIGS. 1 and 4-7 is for illustrative purposes only and forms no part of the claimed design.

1 Claim, 4 Drawing Sheets



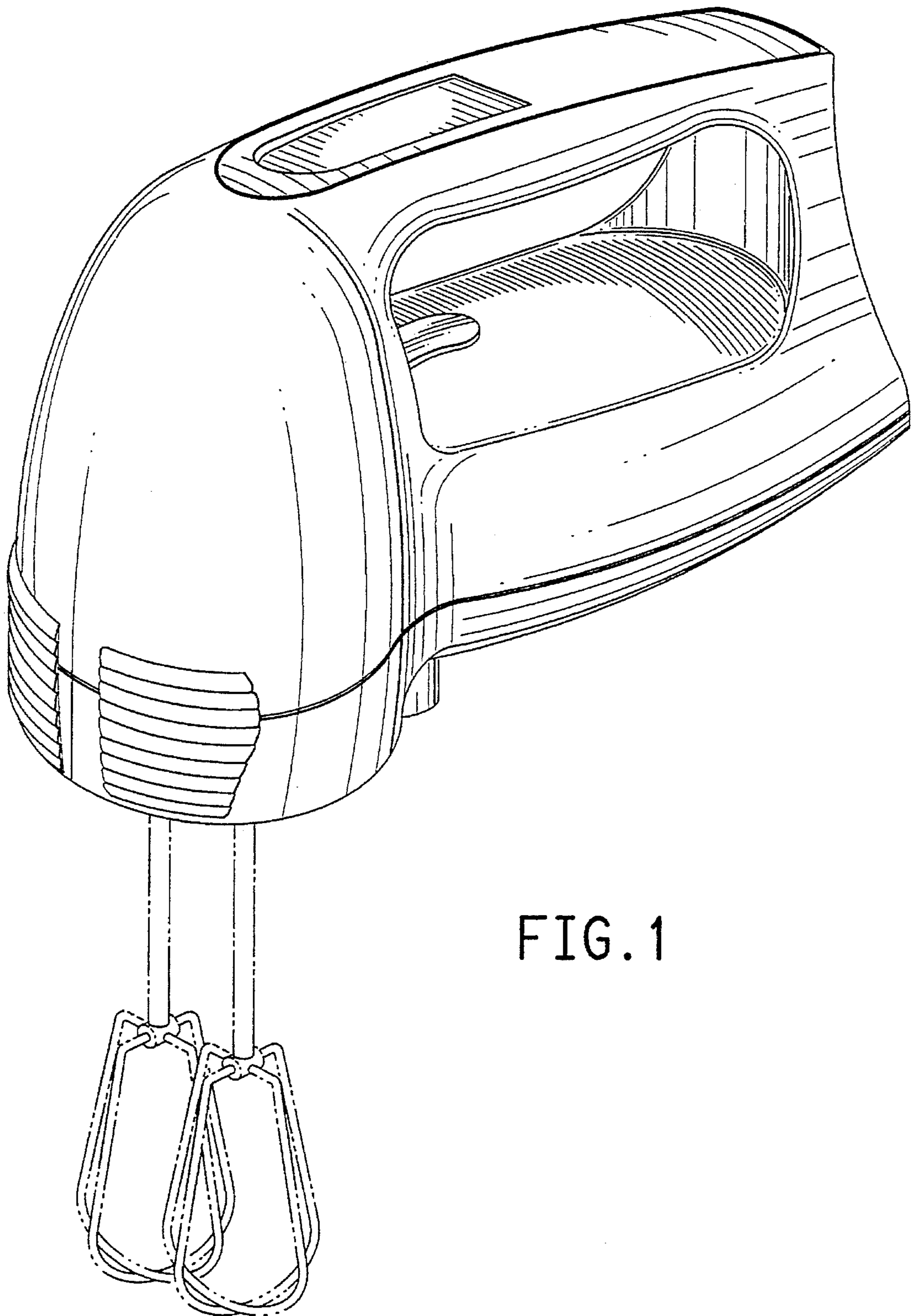


FIG. 1

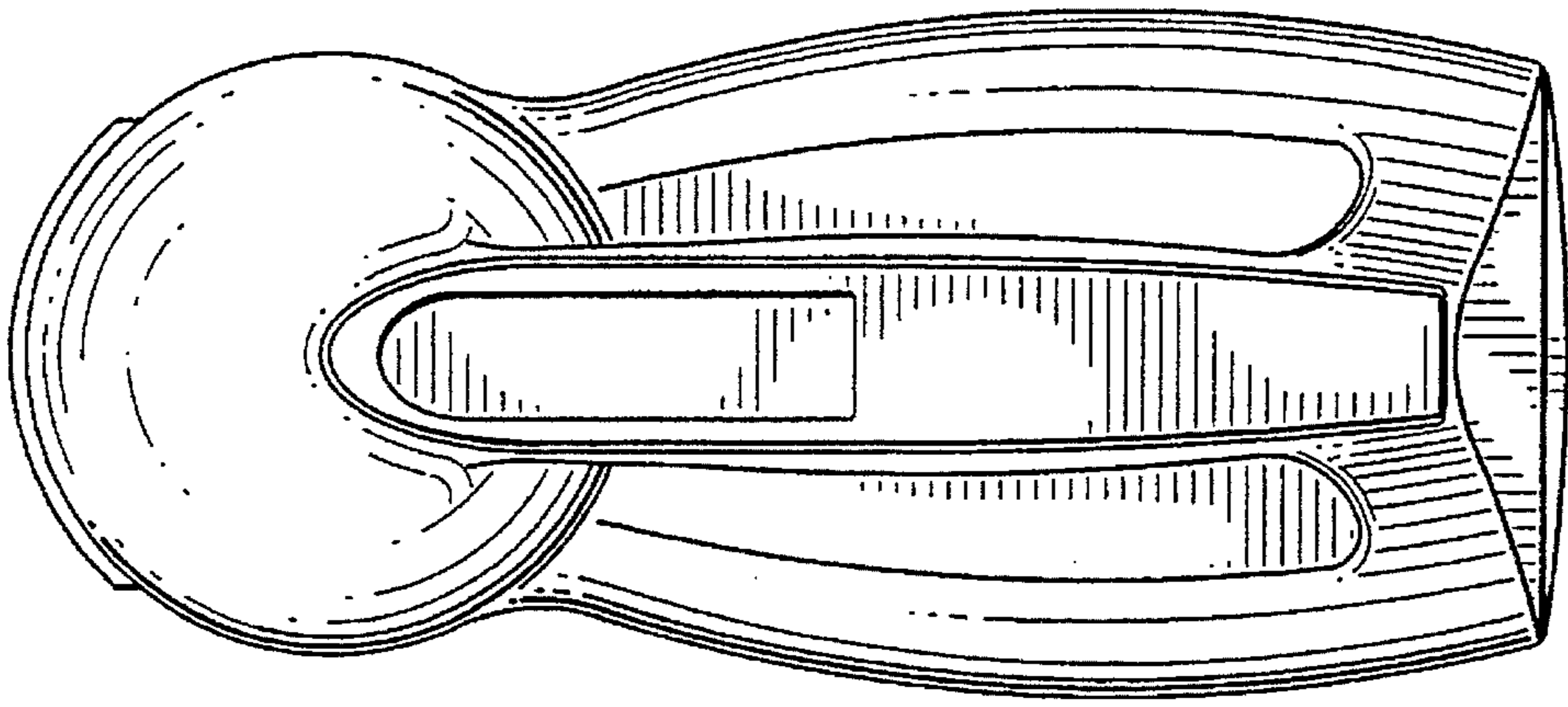


FIG. 2

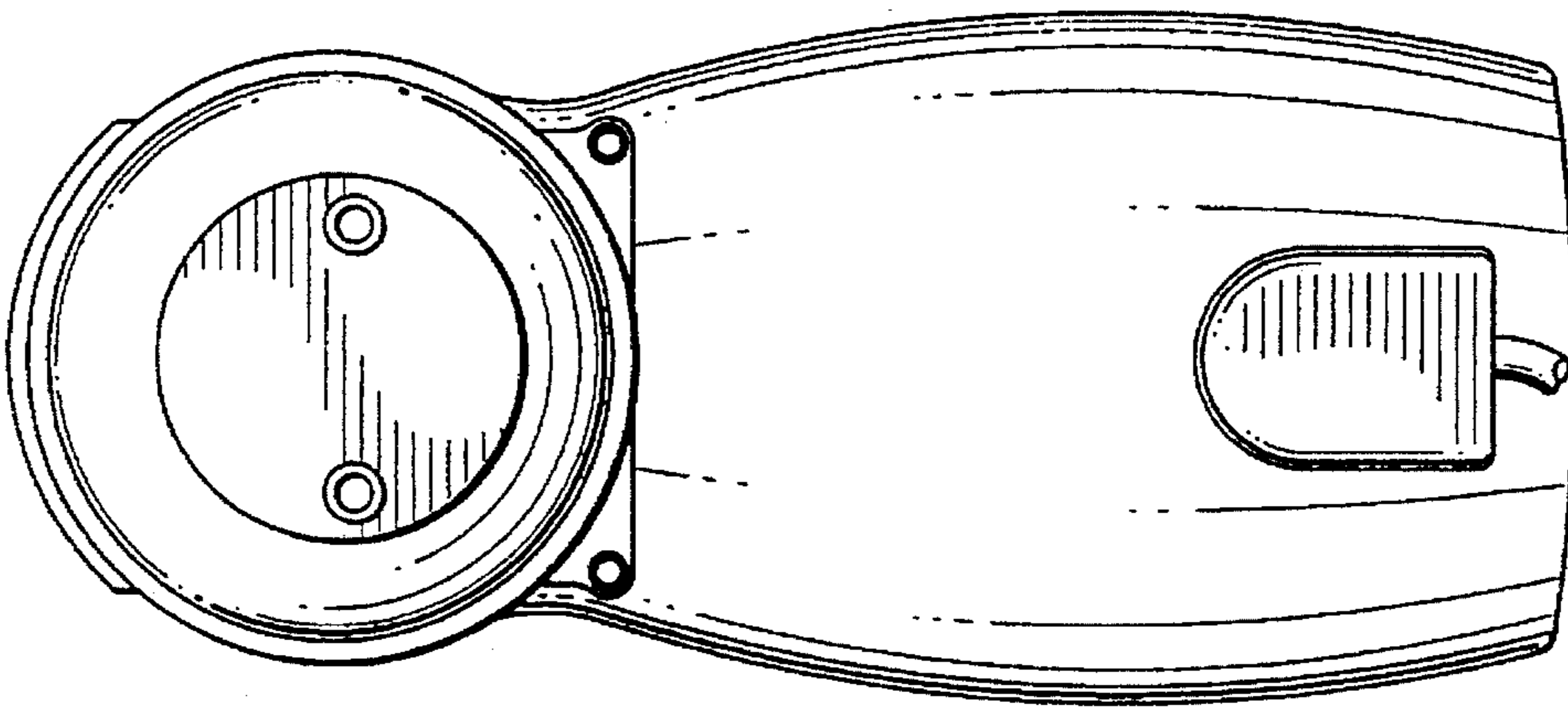


FIG. 3

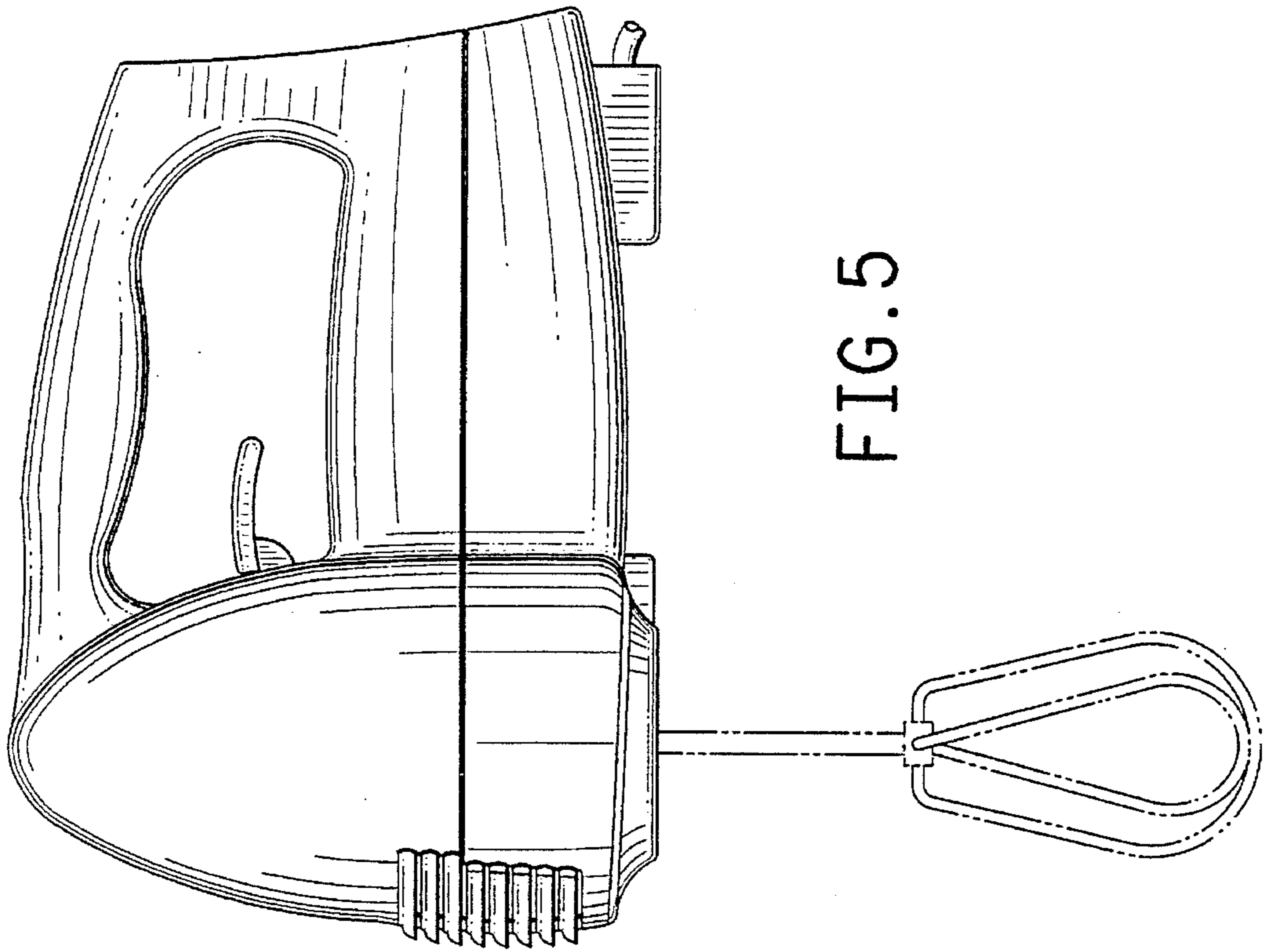


FIG. 5

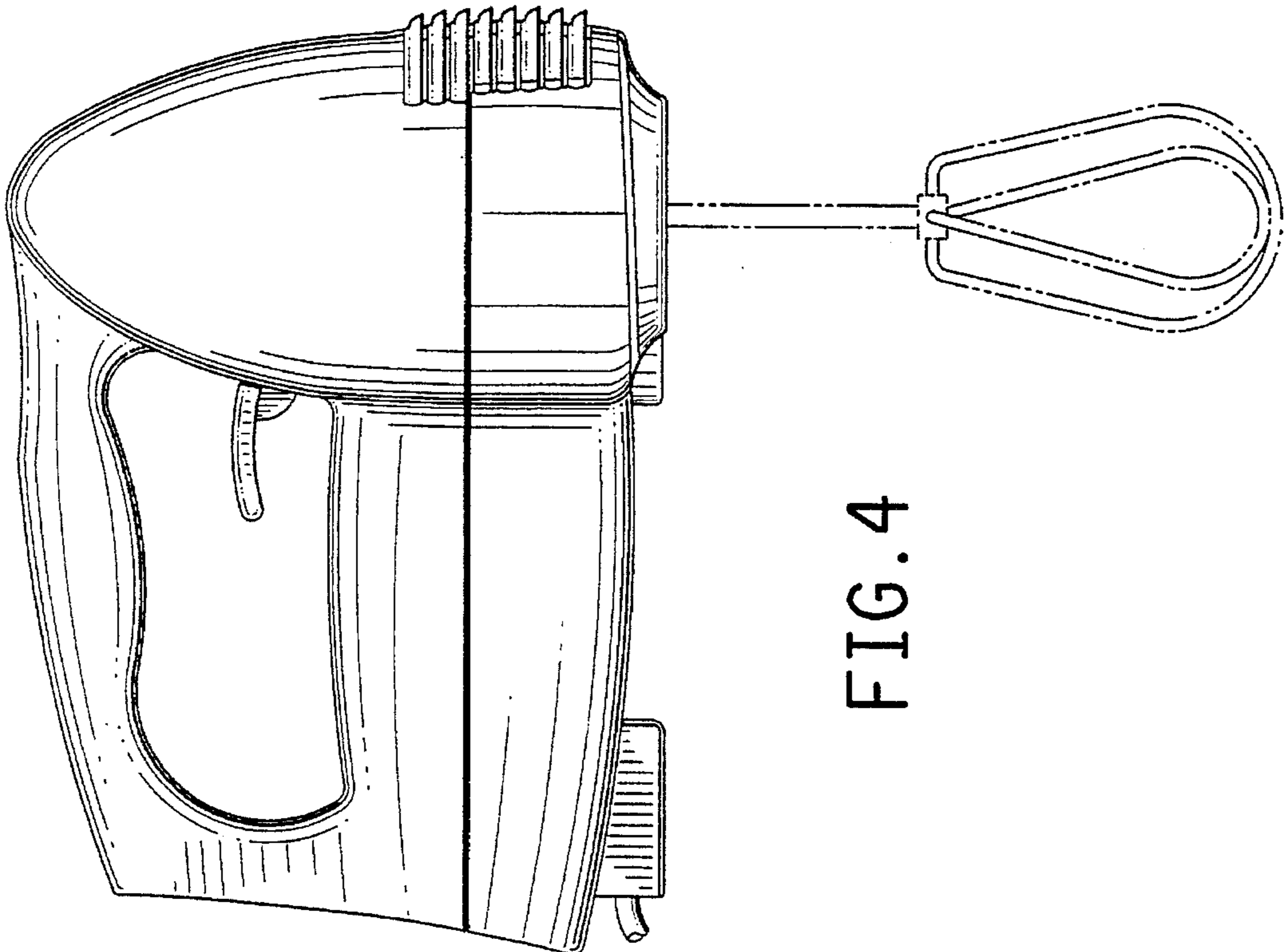


FIG. 4

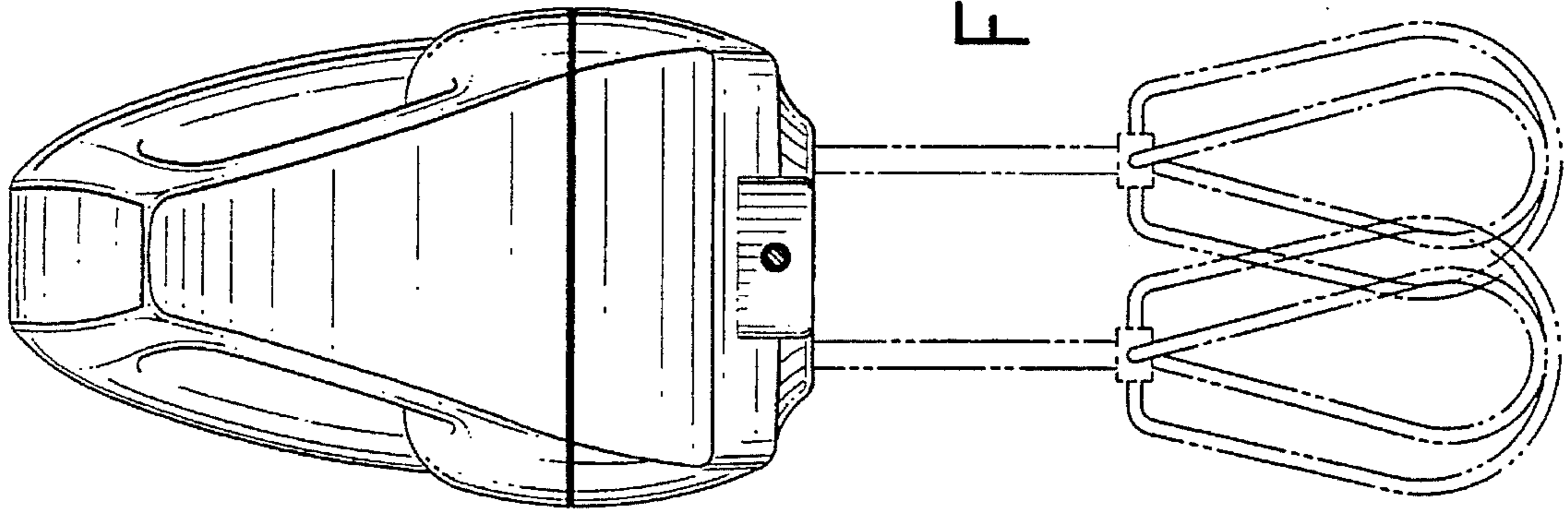


FIG. 7

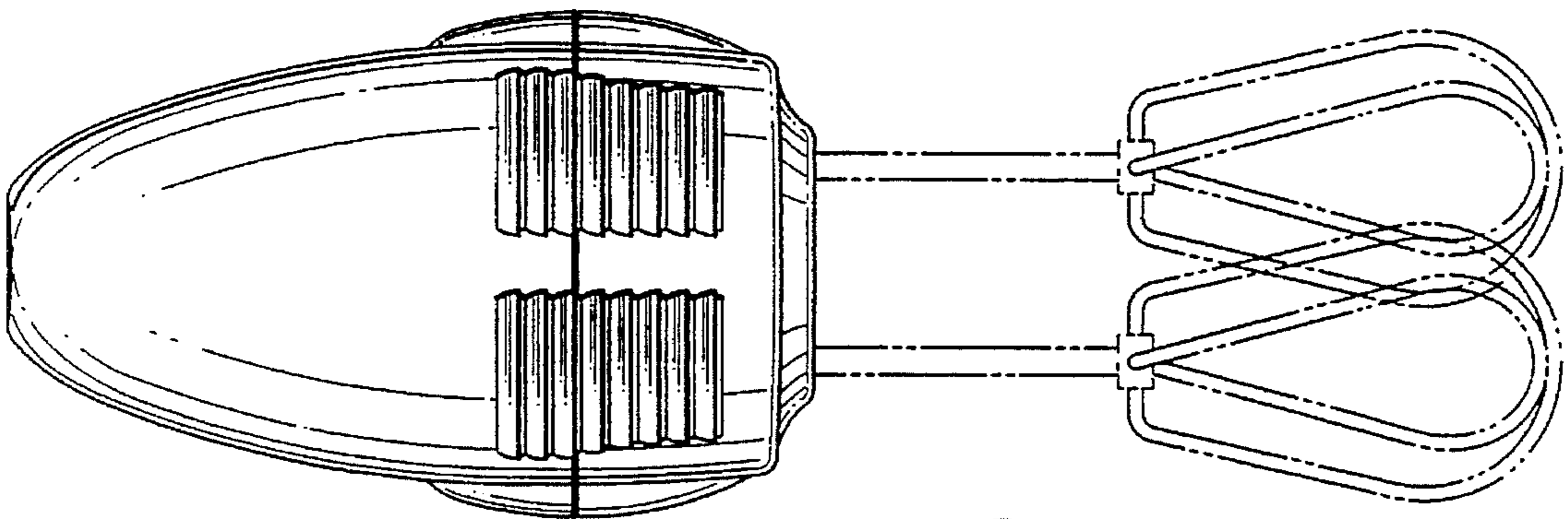


FIG. 6