



US00D367397S

United States Patent [19]

[11] Patent Number: **Des. 367,397**

Dornbush et al.

[45] Date of Patent: ****Feb. 27, 1996**

[54] **BREADMAKER**

[75] Inventors: **David A. Dornbush**, Prior Lake; **Neal P. Barnes**, Maple Grove, both of Minn.

[73] Assignee: **American Harvest, Inc.**, Chaska, Minn.

[**] Term: **14 Years**

4,903,587	2/1990	Nagasaka et al. .
4,903,588	2/1990	Horiuchi et al. .
4,903,589	2/1990	Aoyama .
4,930,899	6/1990	Aoyama .
4,951,559	8/1990	Arao et al. .
4,957,040	9/1990	Nakakura et al. .
4,977,822	12/1990	Seo et al. .
4,984,512	1/1991	Takahashi et al. .
5,076,153	12/1991	Takahashi et al. .

[21] Appl. No.: **25,919**

[22] Filed: **Jul. 15, 1994**

[52] U.S. Cl. **D7/350**

[58] Field of Search D7/347-348, 354, D7/360; 99/325, 341, 359, 467, 468, 348; 126/275 R, 275 E, 19 M, 21 R

[56] References Cited

U.S. PATENT DOCUMENTS

D. 137,792	5/1944	Doner	D7/350
D. 310,615	9/1990	Kitai et al.	D7/348
D. 311,848	11/1990	Mikami et al. .	
D. 314,687	2/1991	Kim	D7/350
D. 325,147	4/1992	Watanabe et al. .	
D. 346,303	4/1994	Kaneko	D7/350
D. 351,759	10/1994	Maruyama et al.	D7/350
D. 354,195	1/1995	Kaneko	D7/350
D. 358,061	5/1995	Duquaine et al.	D7/350
D. 358,291	5/1995	Lee	D7/350
D. 358,528	5/1995	Hyun	D7/350
3,615,680	10/1971	Henika et al. .	
3,746,317	7/1973	Schroeder, Sr. .	
4,159,879	7/1979	Coucher .	
4,202,257	5/1980	Masuda et al. .	
4,294,166	10/1981	Takeuchi .	
4,538,509	9/1985	Ojima et al. .	
4,762,057	8/1988	Hirota et al. .	
4,776,265	10/1988	Ojima .	
4,844,048	7/1989	Aruga et al. .	
4,885,176	12/1989	Nakakura et al. .	

OTHER PUBLICATIONS

"Breadmakers—For a lot of dough, a machine to meet your kneads?" *Consumer Reports*, pp. 688-689, Nov., 1988.

"You add the ingredients . . . Hitachi® does the work while you sleep!" *Solutions—Products that make life easier®*, Catalog, Late Autumn, 1993, 2 pages.

The Bread Oven Recipe Booklet, Models ABM300, ABM350, Value Specialty Services, Inc., Owner's Manual, 3 pages.

Panasonic® Bread Bakery®—specifications SD-BT56P (2 pages). Nov. 1991.

Primary Examiner—Ruth McInroy
Attorney, Agent, or Firm—Schwegman, Lundberg & Woessner

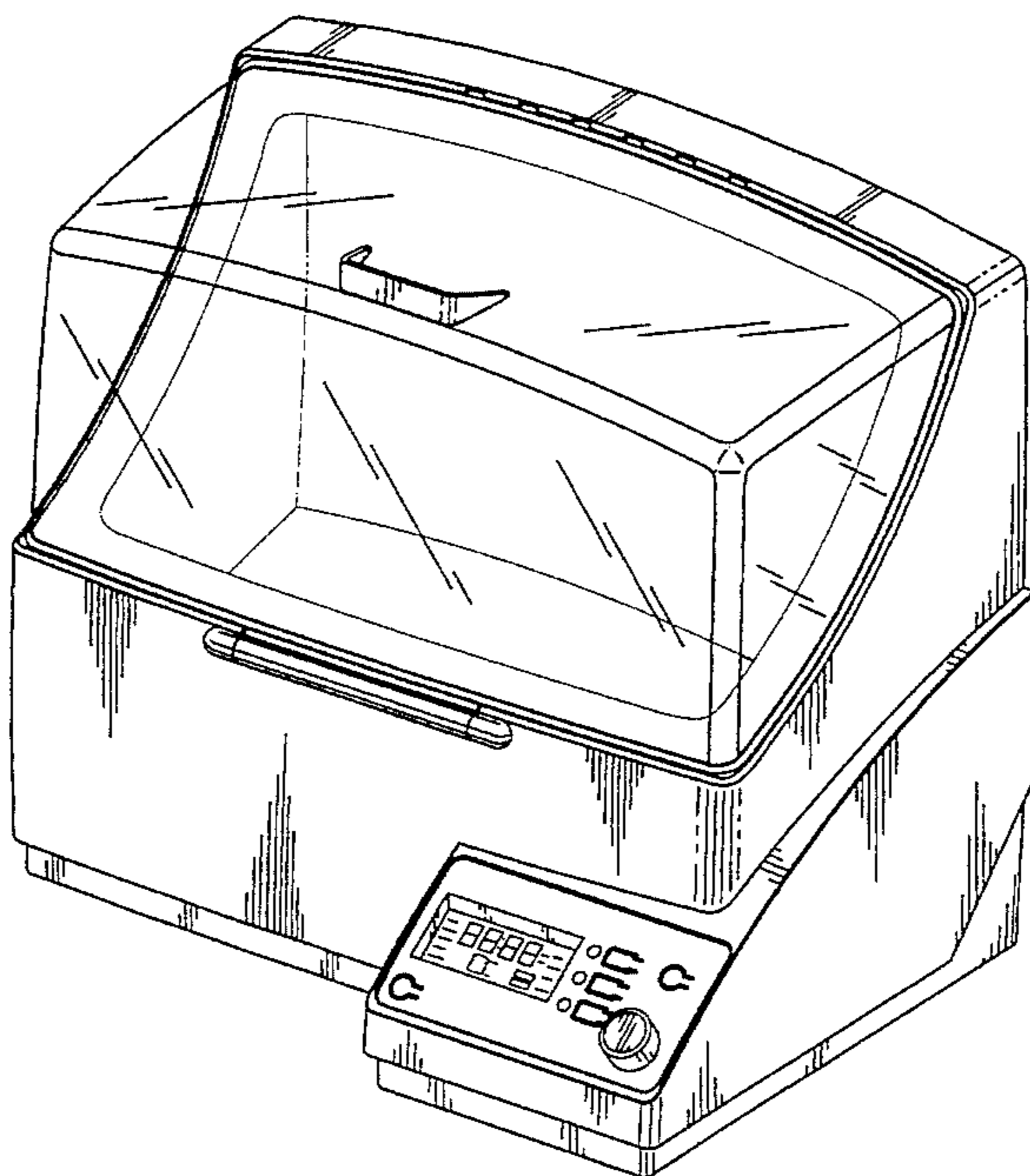
[57] CLAIM

The ornamental design for a breadmaker, as shown.

DESCRIPTION

FIG. 1 is a top, front and right side perspective view of a breadmaker showing our new design;
 FIG. 2 is a front elevation view thereof;
 FIG. 3 is a rear elevation view thereof;
 FIG. 4 is a top plan view thereof;
 FIG. 5 is a bottom plan view thereof;
 FIG. 6 is a right side elevation view thereof; and,
 FIG. 7 is a left side elevation view thereof.

1 Claim, 7 Drawing Sheets



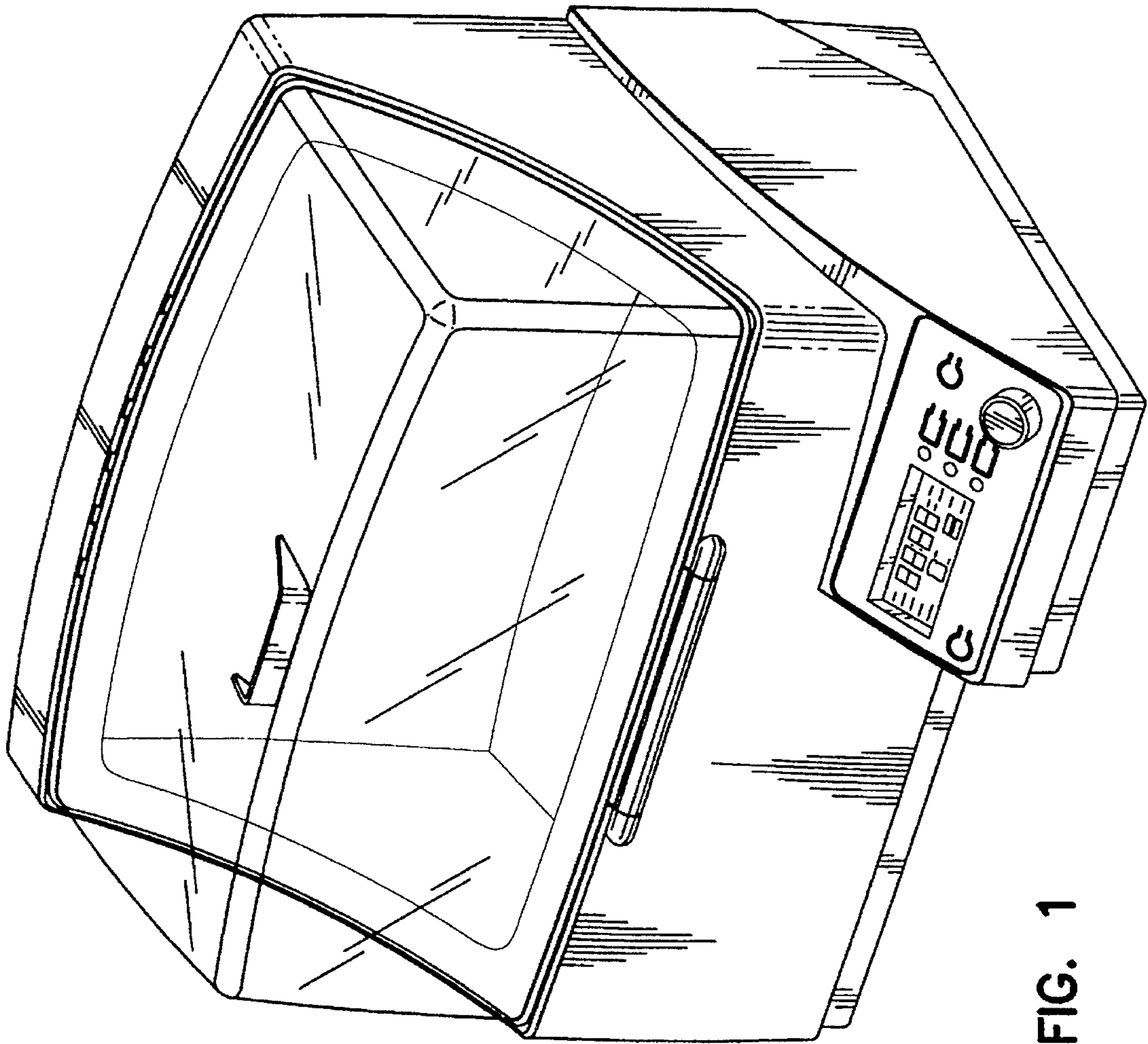


FIG. 1

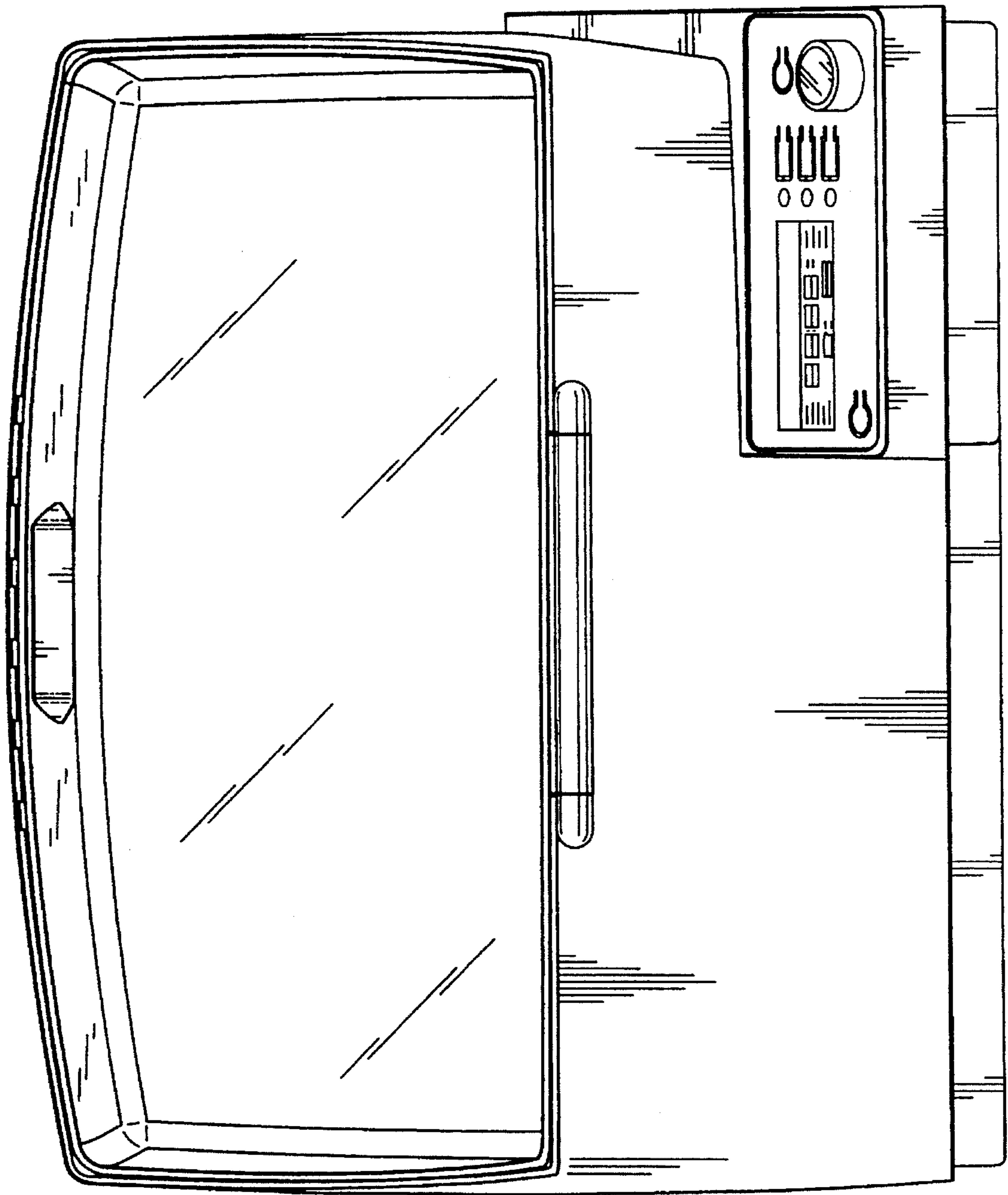


FIG. 2

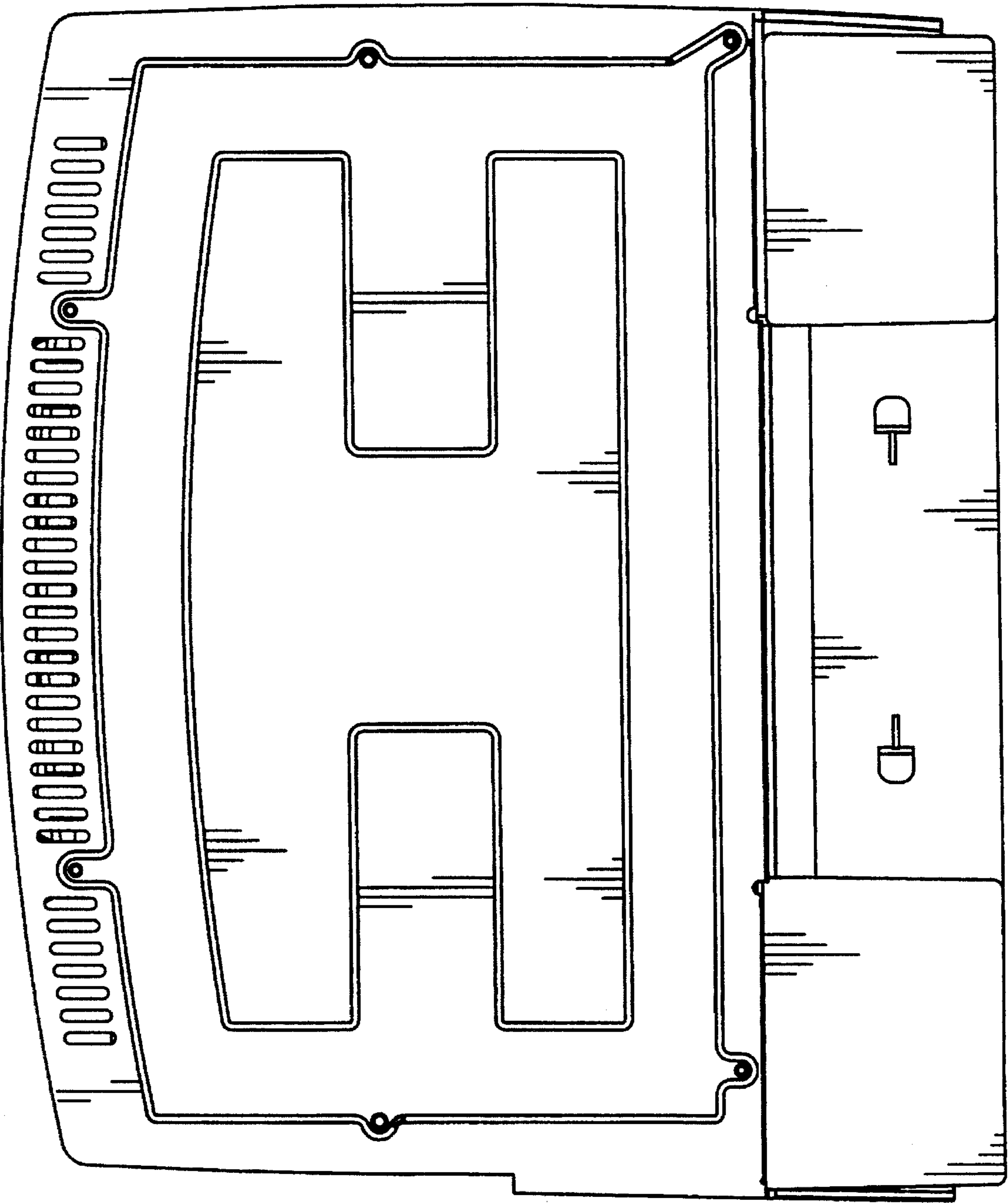


FIG. 3

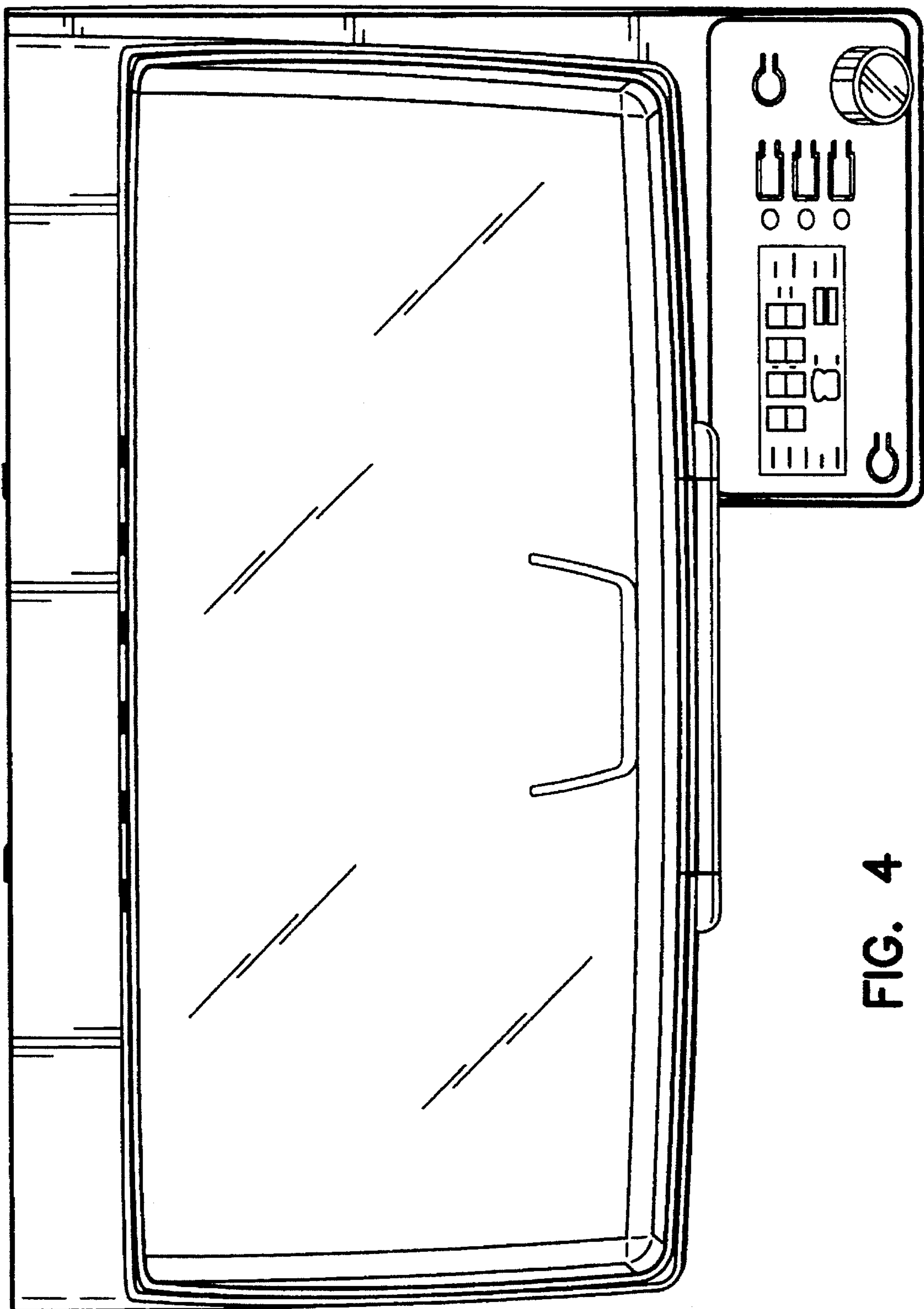


FIG. 4

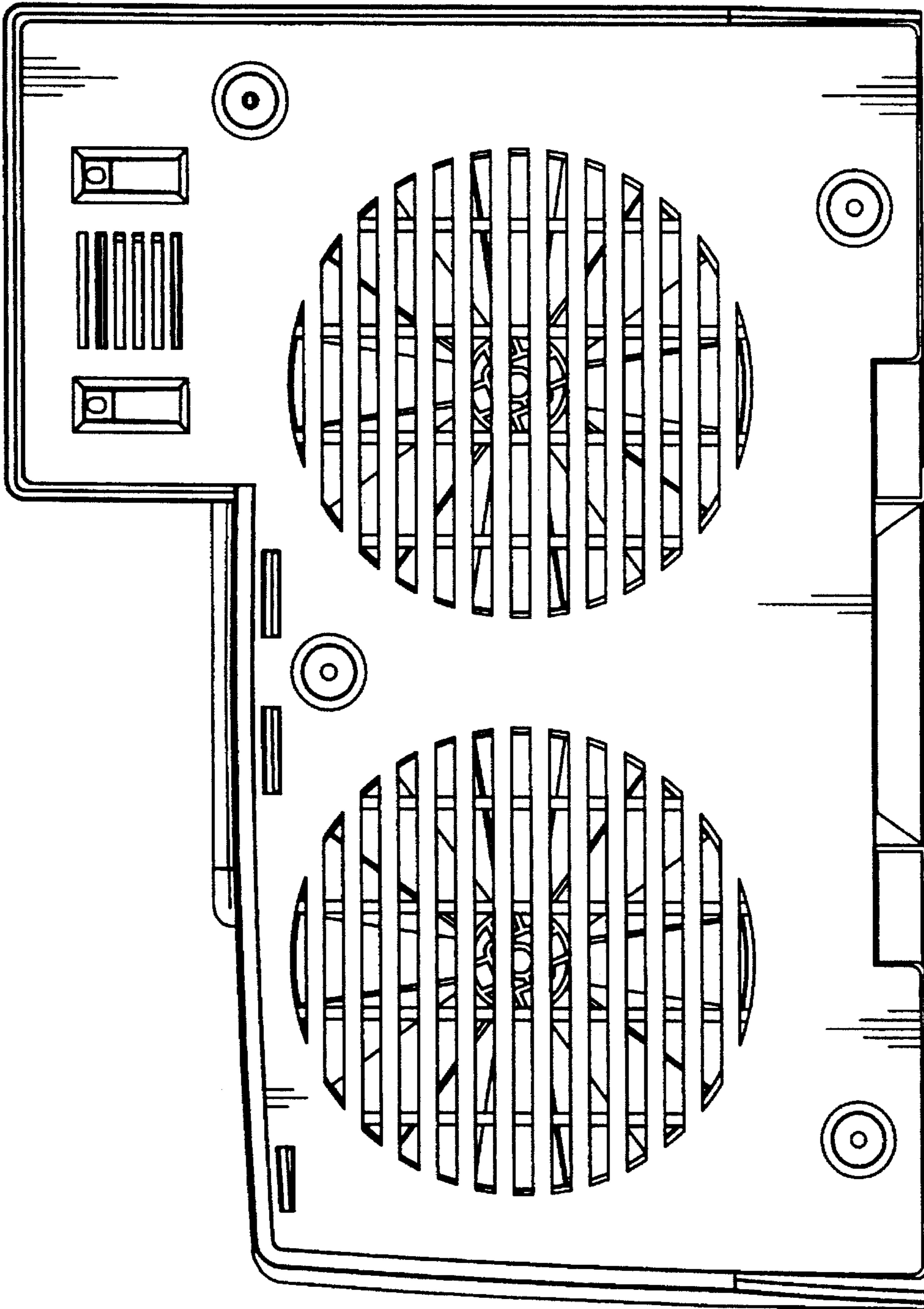


FIG. 5

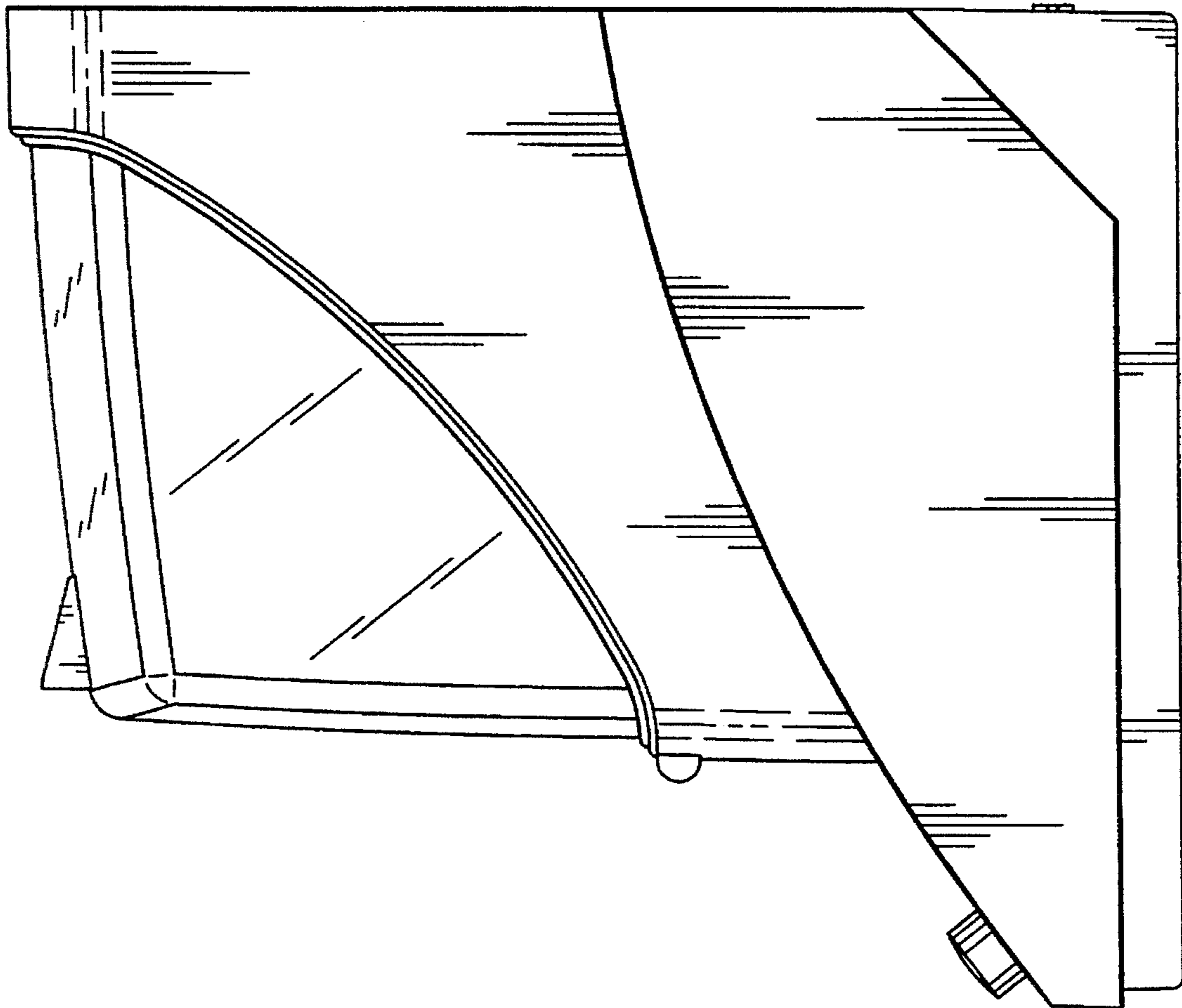


FIG. 6

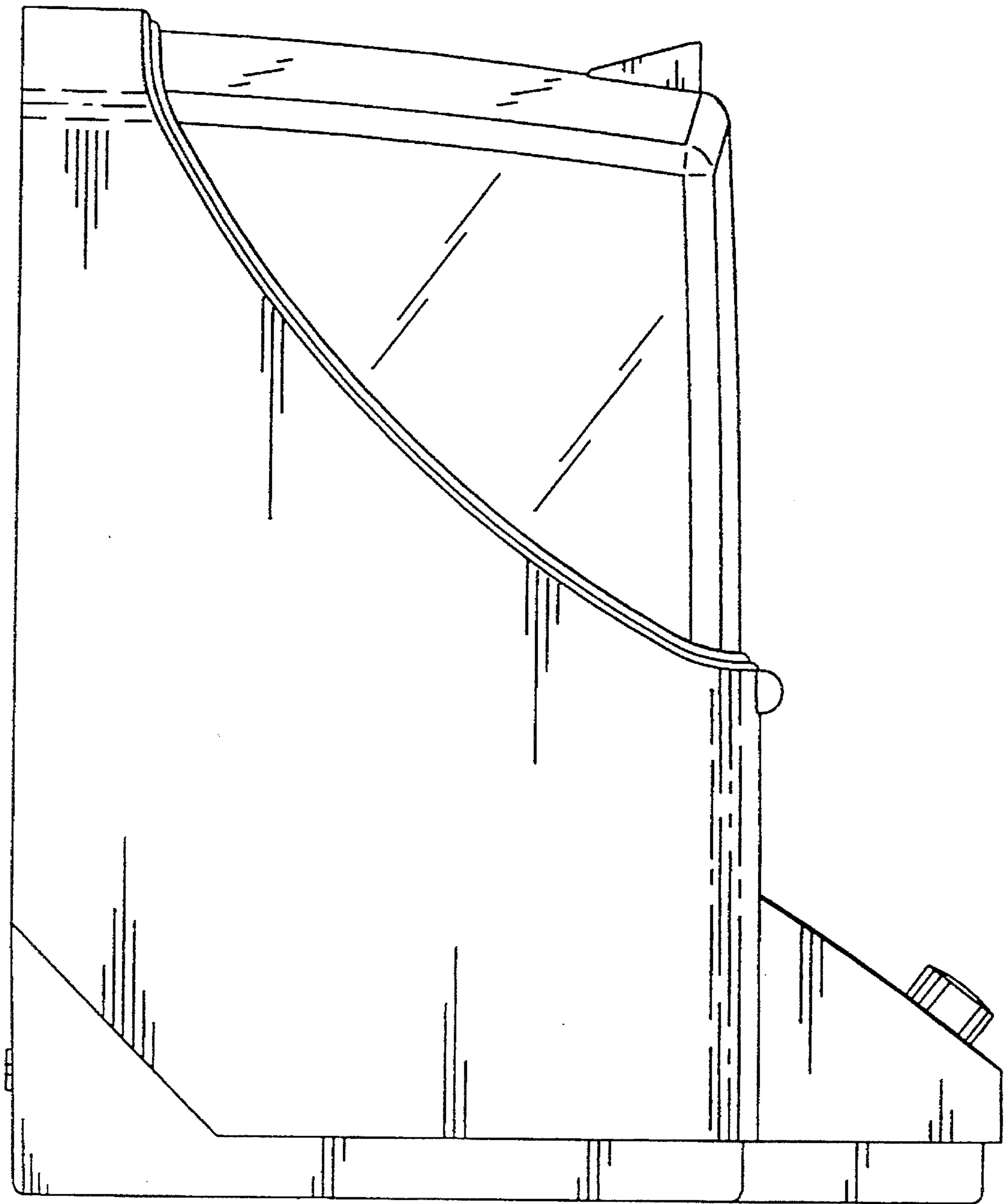


FIG. 7