



US00D367395S

# United States Patent [19]

Brilanchik

[11] Patent Number: **Des. 367,395**

[45] Date of Patent: **\*\*Feb. 27, 1996**

[54] **HOT AND COLD DRINK DISPENSING DEVICE**

[76] Inventor: **Menachem Brilanchik**, 3/1 Hapisga Str., Ariel, Israel

[\*\*] Term: **14 Years**

[21] Appl. No.: **24,648**

[22] Filed: **Jun. 17, 1994**

### [30] Foreign Application Priority Data

Mar. 21, 1994 [IL] Israel ..... 109057

[52] U.S. Cl. .... **D7/311; D7/312; D7/313; D7/300; D7/620**

[58] Field of Search ..... **D7/311, 312, 313, D7/601, 602, 619, 620, 306, 307, 300, 310; D3/202, 315; D12/411, 419**

### [56] References Cited

#### U.S. PATENT DOCUMENTS

- D. 228,304 9/1973 Lerew ..... D7/620
- D. 275,543 9/1984 Borgstede, Jr. .... D7/620
- D. 291,747 9/1987 Bunge ..... D3/315 X
- D. 293,758 1/1988 Balisteri ..... D7/300 X
- D. 293,759 1/1988 Balisteri ..... D7/300 X
- D. 333,756 3/1993 Campbell ..... D7/620 X

- D. 336,871 6/1993 Lee-Chang ..... D12/411
- D. 344,657 3/1994 Knopp ..... D7/313
- 3,558,013 1/1971 Ponzo et al. .
- 3,642,023 2/1972 Rembert .
- 3,858,405 1/1975 Manzke .
- 3,955,713 5/1976 Hurley .
- 4,055,279 10/1977 Lopera et al. .
- 4,637,220 1/1987 Sakano .
- 4,721,216 1/1988 Kinder ..... D7/619 X

*Primary Examiner*—Alan P. Douglas  
*Assistant Examiner*—M. N. Pandozzi  
*Attorney, Agent, or Firm*—Morrison & Foerster

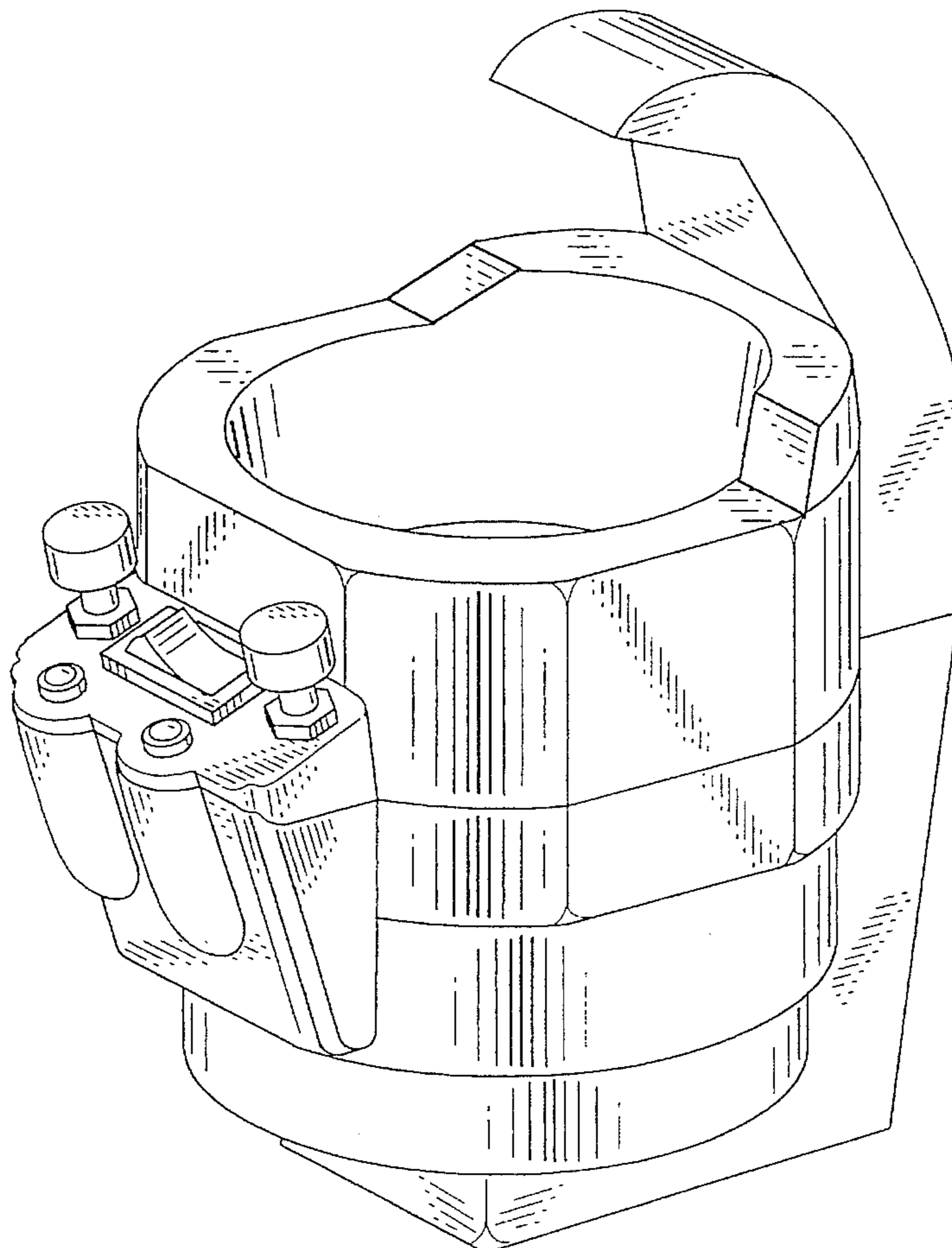
### [57] CLAIM

The ornamental design for a hot and cold drink dispensing device, as shown and described.

### DESCRIPTION

FIG. 1 is a perspective view of a hot and cold drink dispensing device showing our new design; FIG. 2 is a front elevational view thereof; FIG. 3 is a top view thereof; FIG. 4 is a side elevational view thereof; the other side elevation being identical thereto; FIG. 5 is a rear elevational view thereof; and, FIG. 6 is a bottom plan view thereof.

**1 Claim, 6 Drawing Sheets**



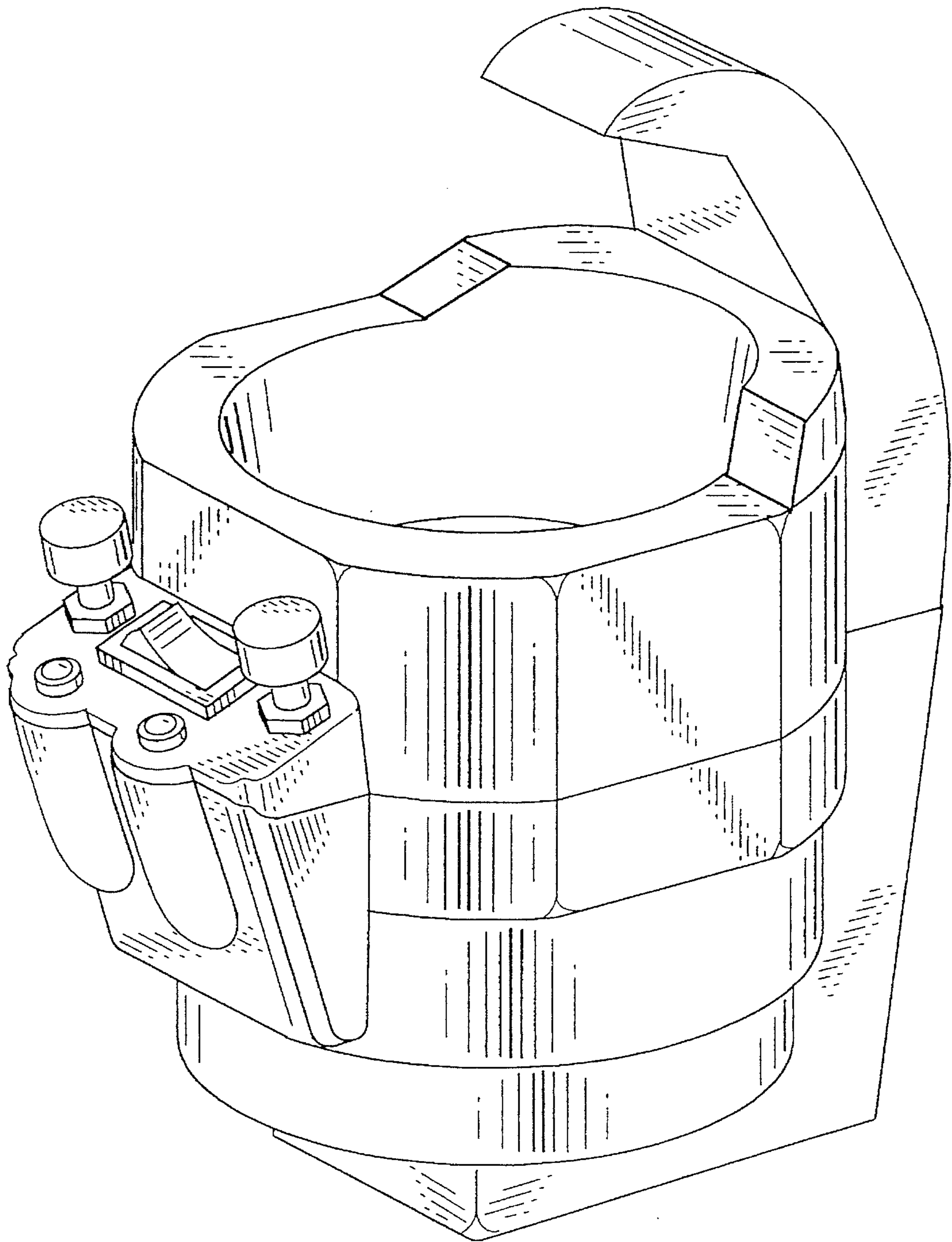


FIG. 1

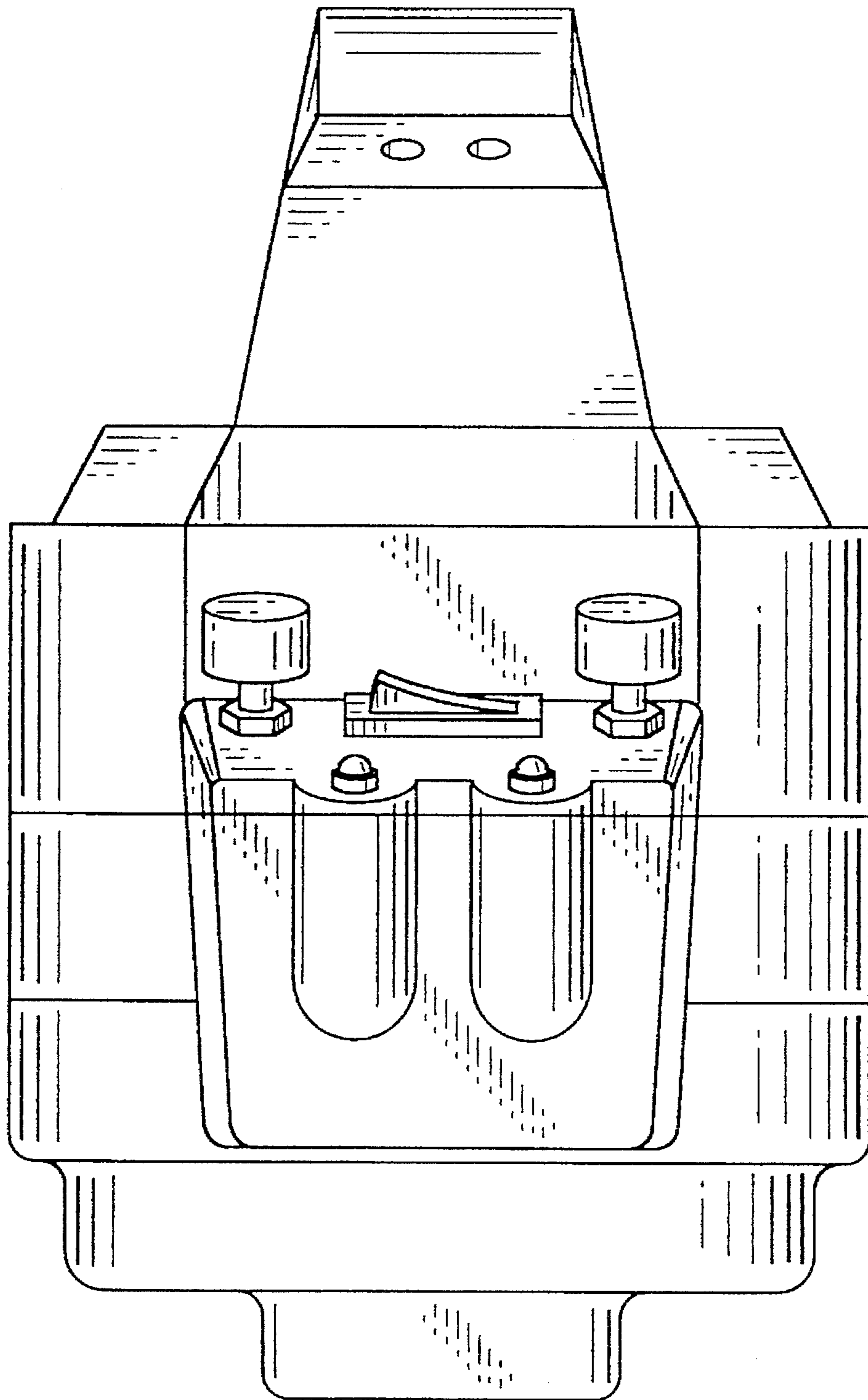


FIG. 2

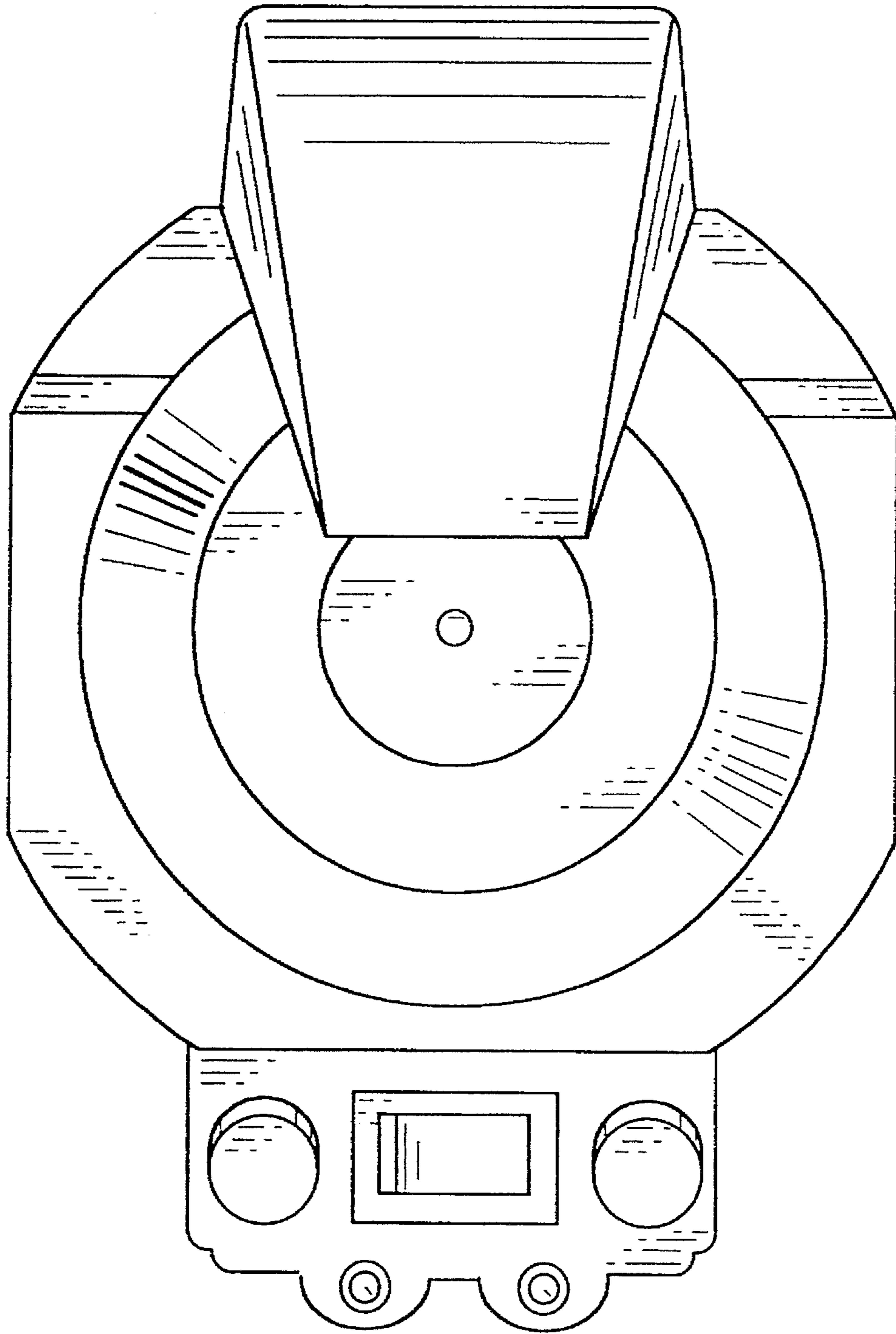


FIG. 3

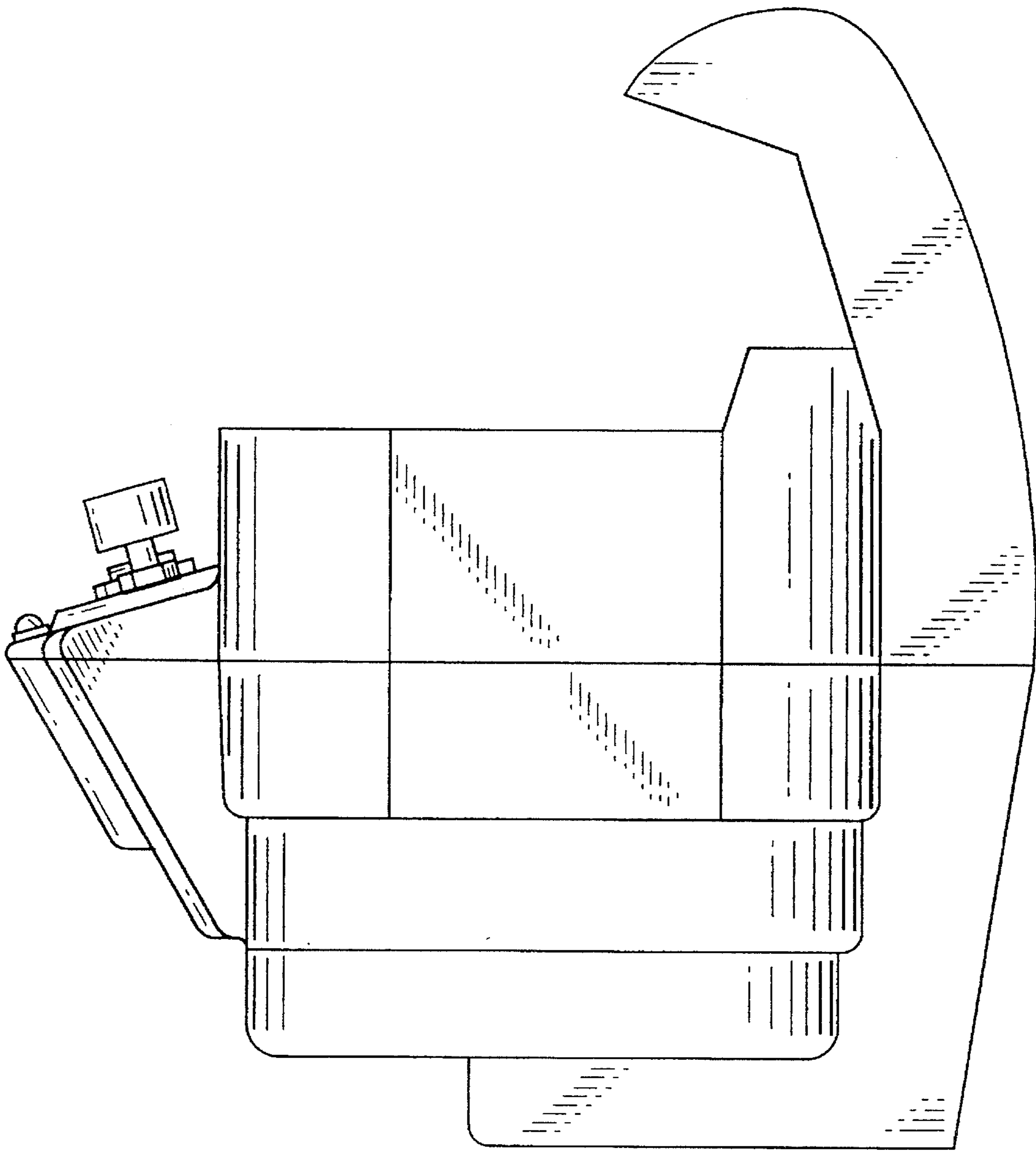


FIG. 4

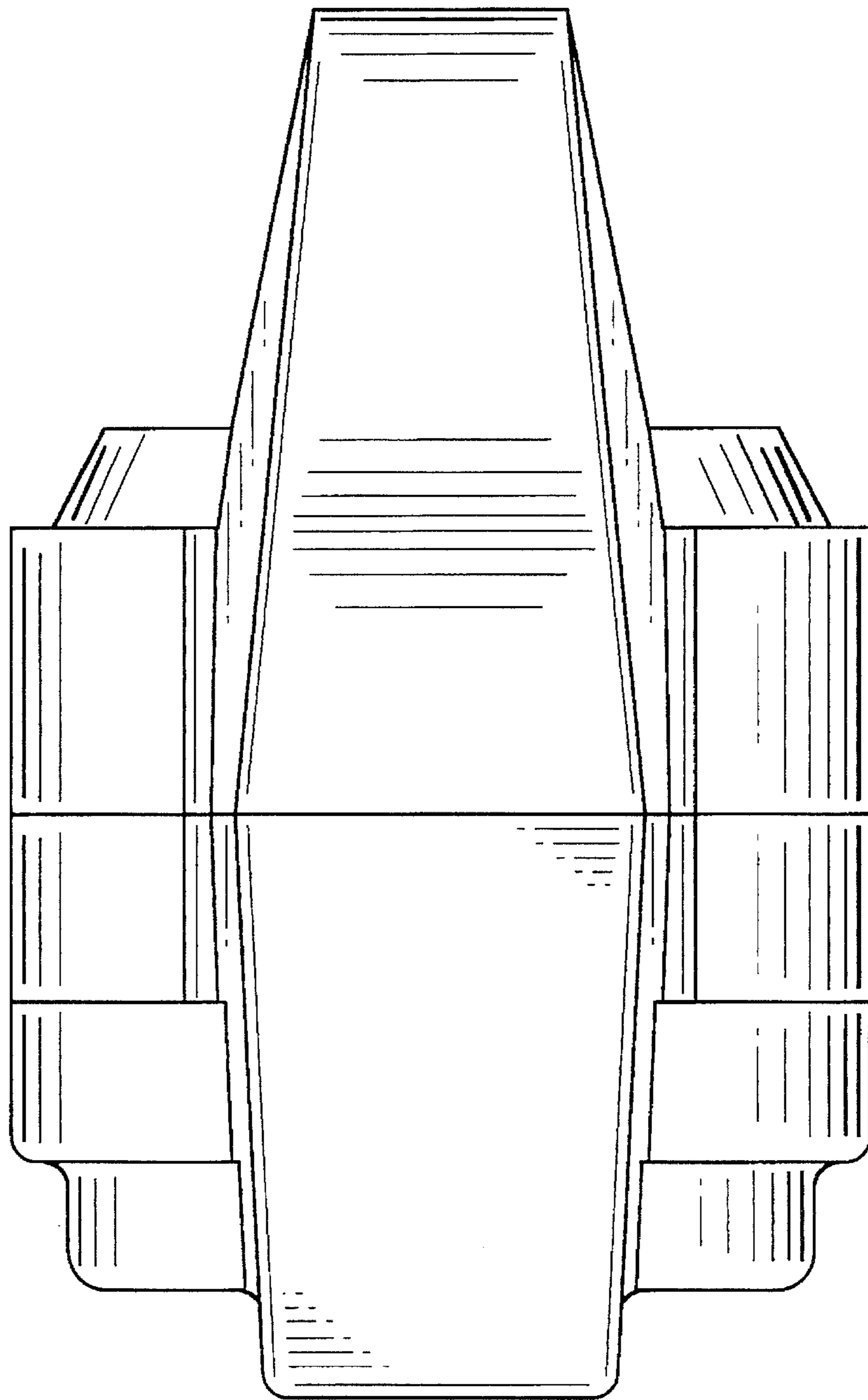


FIG. 5

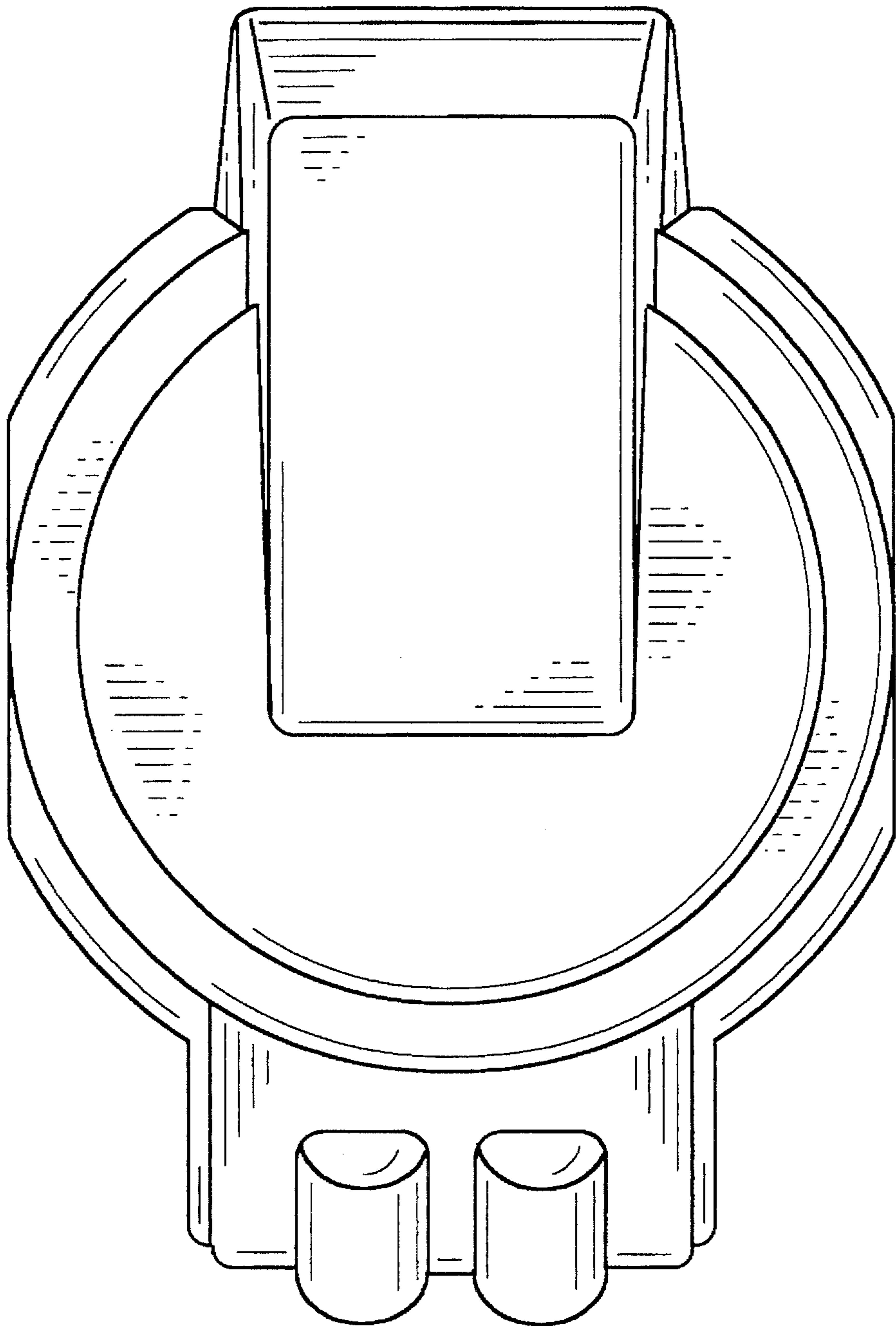


FIG. 6