



US00D367393S

United States Patent [19]

[11] Patent Number: **Des. 367,393**

Vasseur et al.

[45] Date of Patent: ****Feb. 27, 1996**

[54] **COMBINED FOOD AND DRINK CONTAINER AND DISPENSER AND CUP HOLDER**

4,760,774 8/1988 Lin D7/307 X

[76] Inventors: **Pierre Vasseur**, 42, rue des Ursulines;
Frédéric Jaunet, 31 rue au Pain, both
of 78100 Saint-Germain-En-Laye,
France

OTHER PUBLICATIONS

Dispenser (Top Center) "Form" Jan. 1986 p. 45.

[**] Term: **14 Years**

Primary Examiner—Jeffrey Asch
Assistant Examiner—M. N. Pandozzi
Attorney, Agent, or Firm—Foley & Lardner

[21] Appl. No.: **21,705**

[57] CLAIM

[22] Filed: **Apr. 22, 1994**

The ornamental design for a combined food and drink container and dispenser and cup holder, as shown and described.

[30] Foreign Application Priority Data

DESCRIPTION

Oct. 22, 1993 [FR] France 935440

[52] U.S. Cl. **D7/305**; D7/306

[58] Field of Search D7/300, 305, 309,
D7/310, 311, 307, 308, 304, 306, 392,
397, 387, 301; 222/129.1

FIG. 1 is a perspective view of a combined food and drink container and dispenser and cup holder showing our new design;

FIG. 2 is a top plan view thereof;

FIG. 3 is a left side elevational view thereof;

FIG. 4 is a front elevational view thereof;

FIG. 5 is a right side elevational view thereof;

FIG. 6 is a bottom plan view thereof;

FIG. 7 is a perspective view thereof, partially broken away for ease of illustration; and,

FIG. 8 is a back elevational view thereof.

[56] References Cited

U.S. PATENT DOCUMENTS

- D. 45,096 12/1913 Travis D7/311 X
- D. 47,948 10/1915 Courtney D7/311 X
- D. 57,952 5/1921 Travis D7/308
- D. 161,271 12/1950 Linneman D7/311
- D. 186,287 5/1957 LaGarde D7/311
- D. 229,387 11/1973 Gruber D7/308

1 Claim, 2 Drawing Sheets

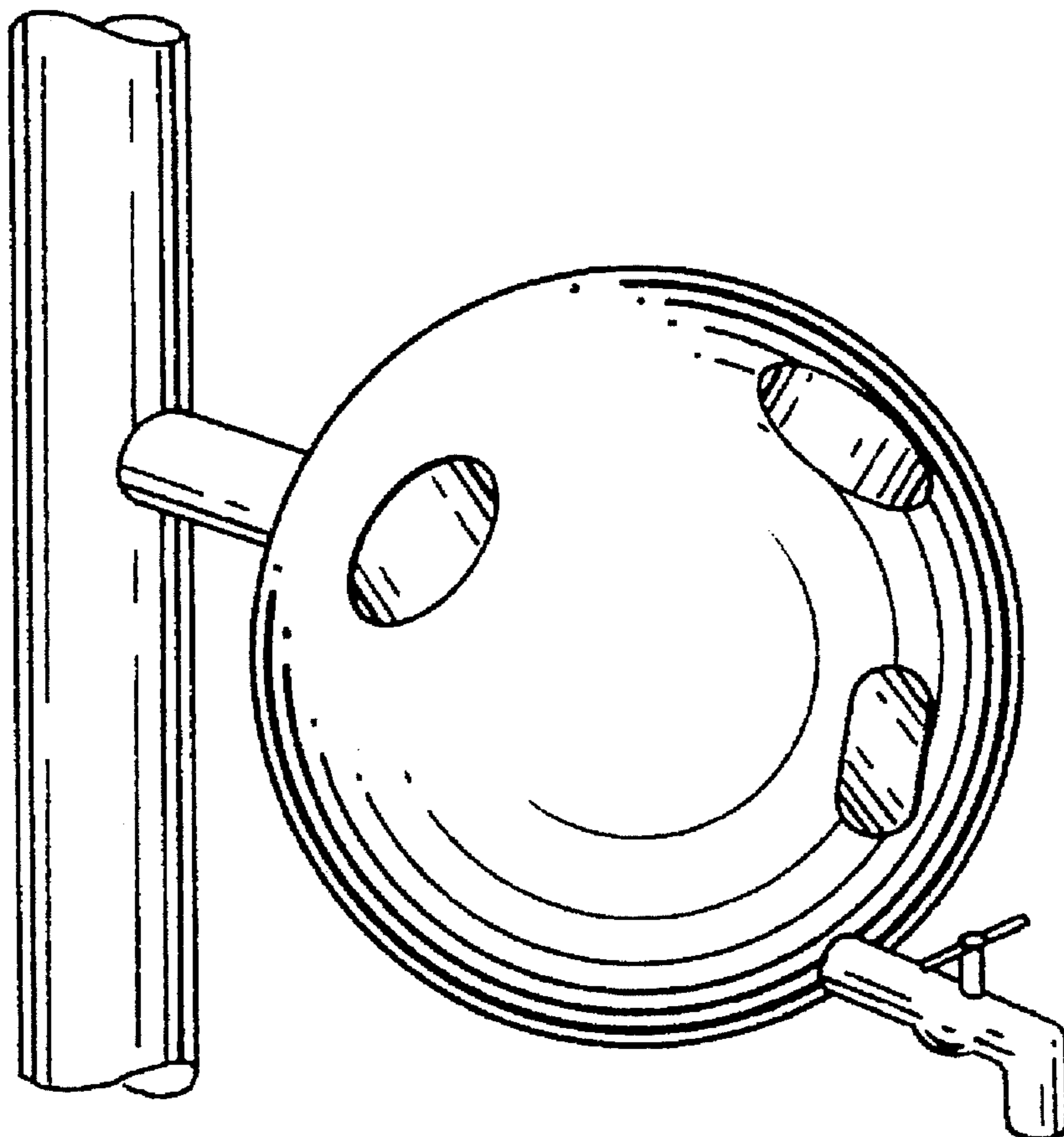


FIG. 1

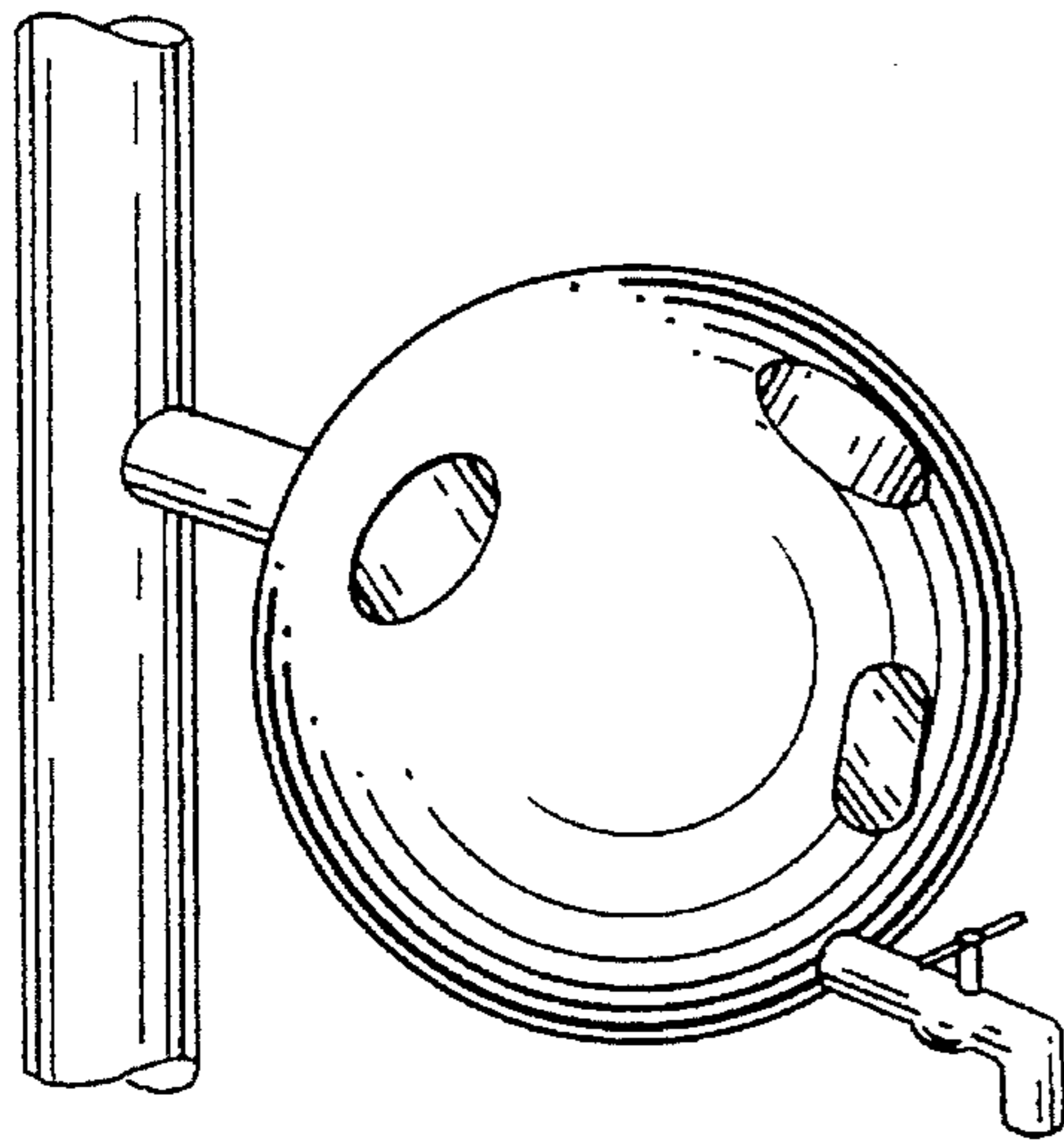


FIG. 2

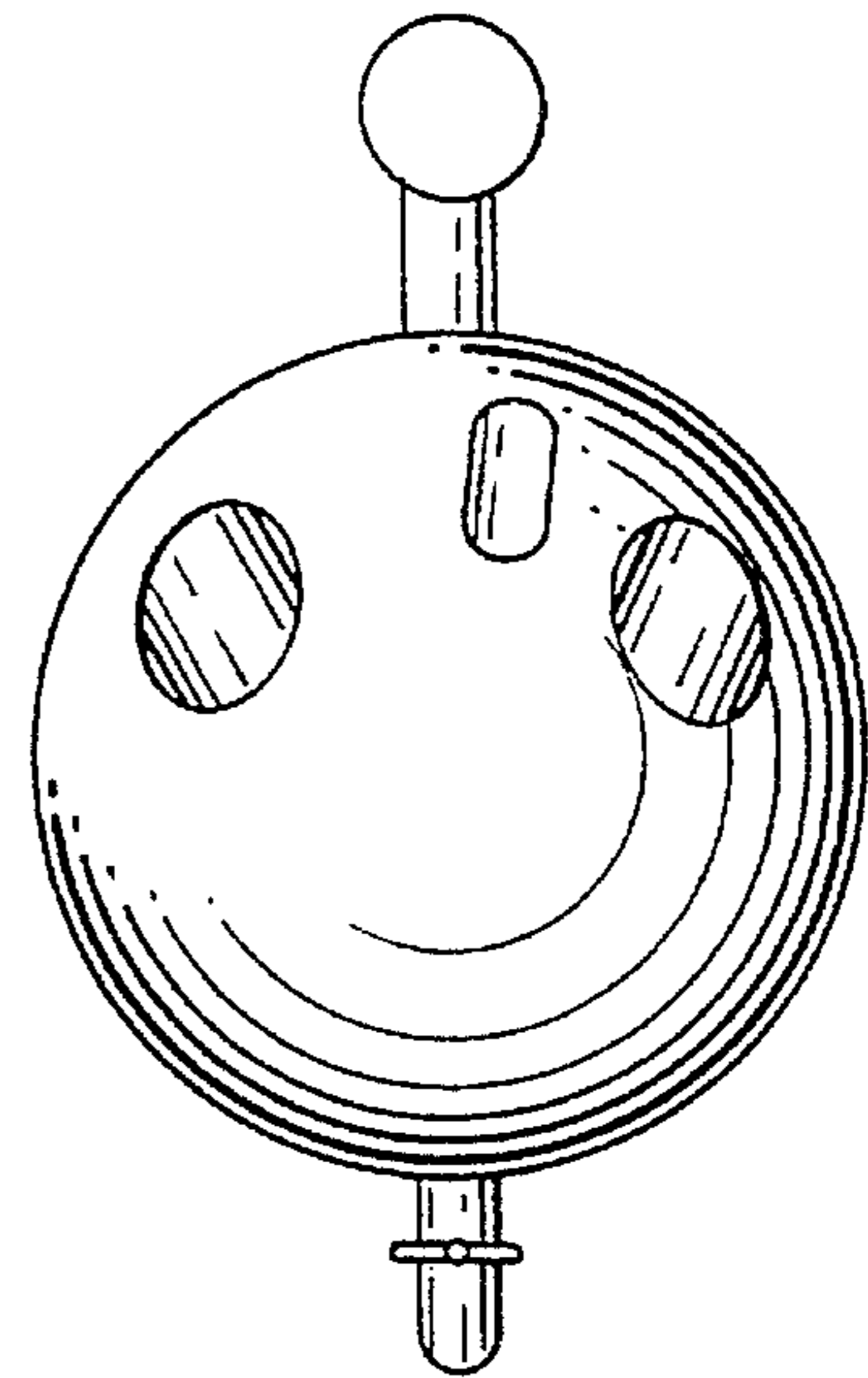


FIG. 3

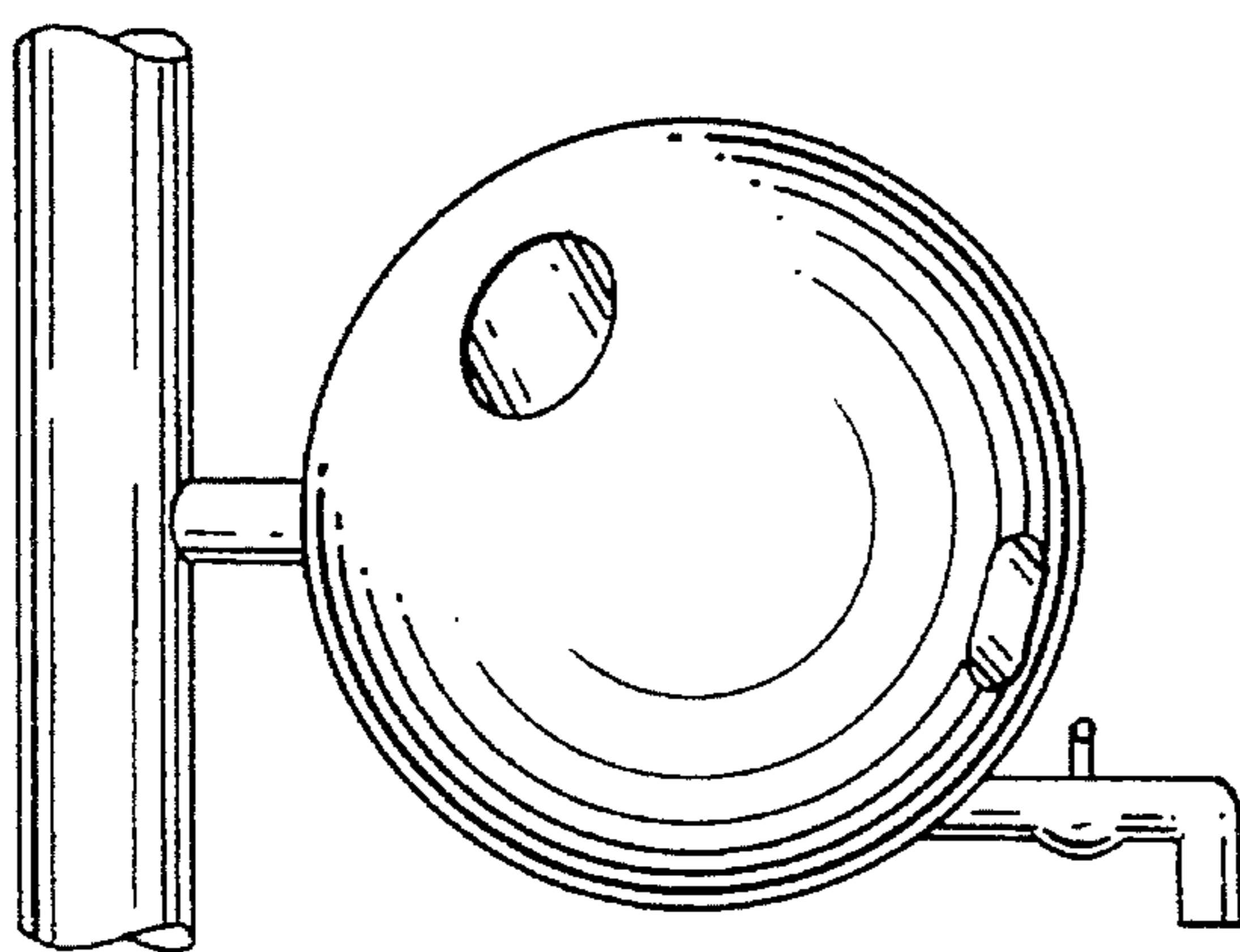


FIG. 4

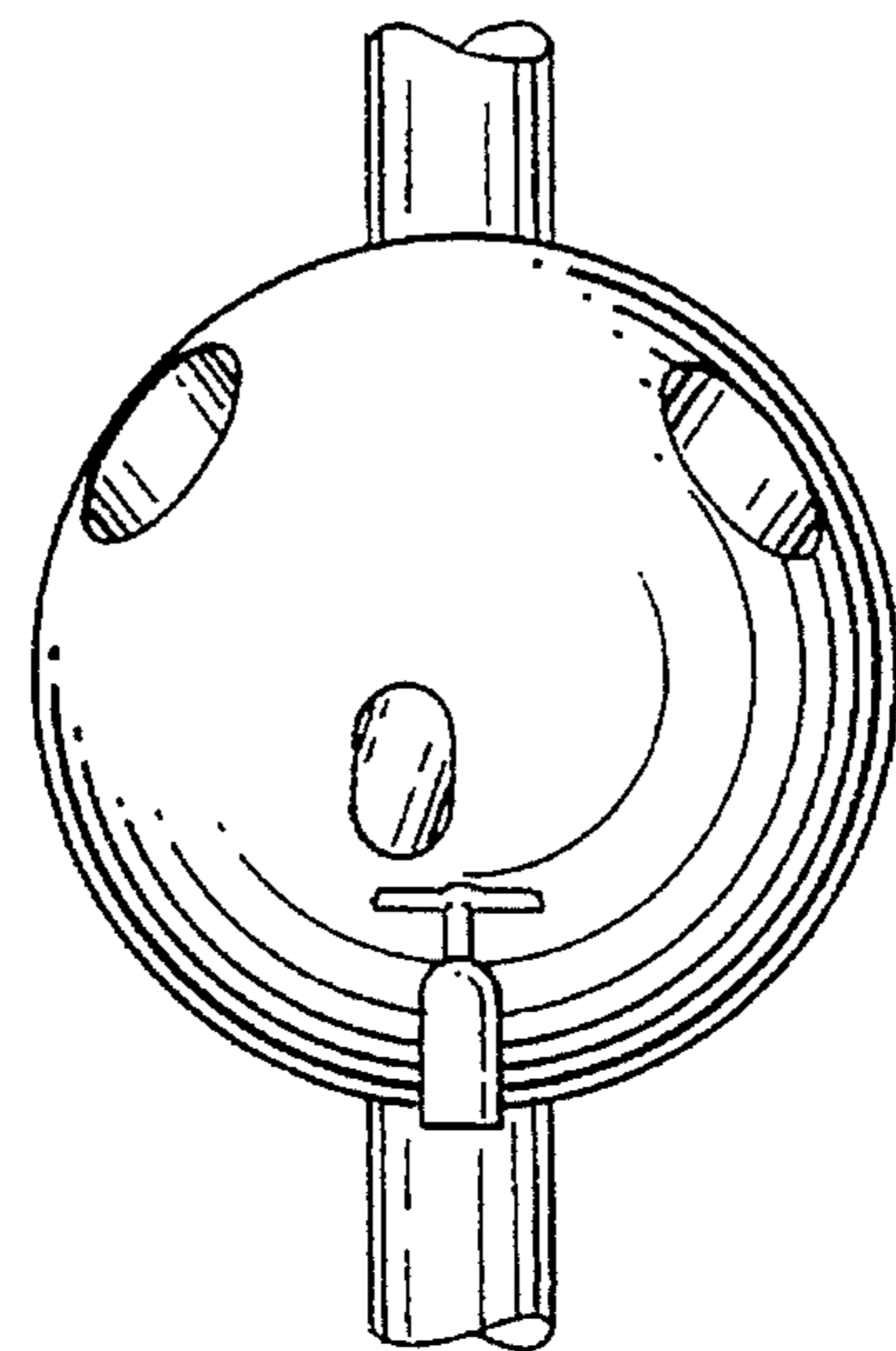


FIG. 5

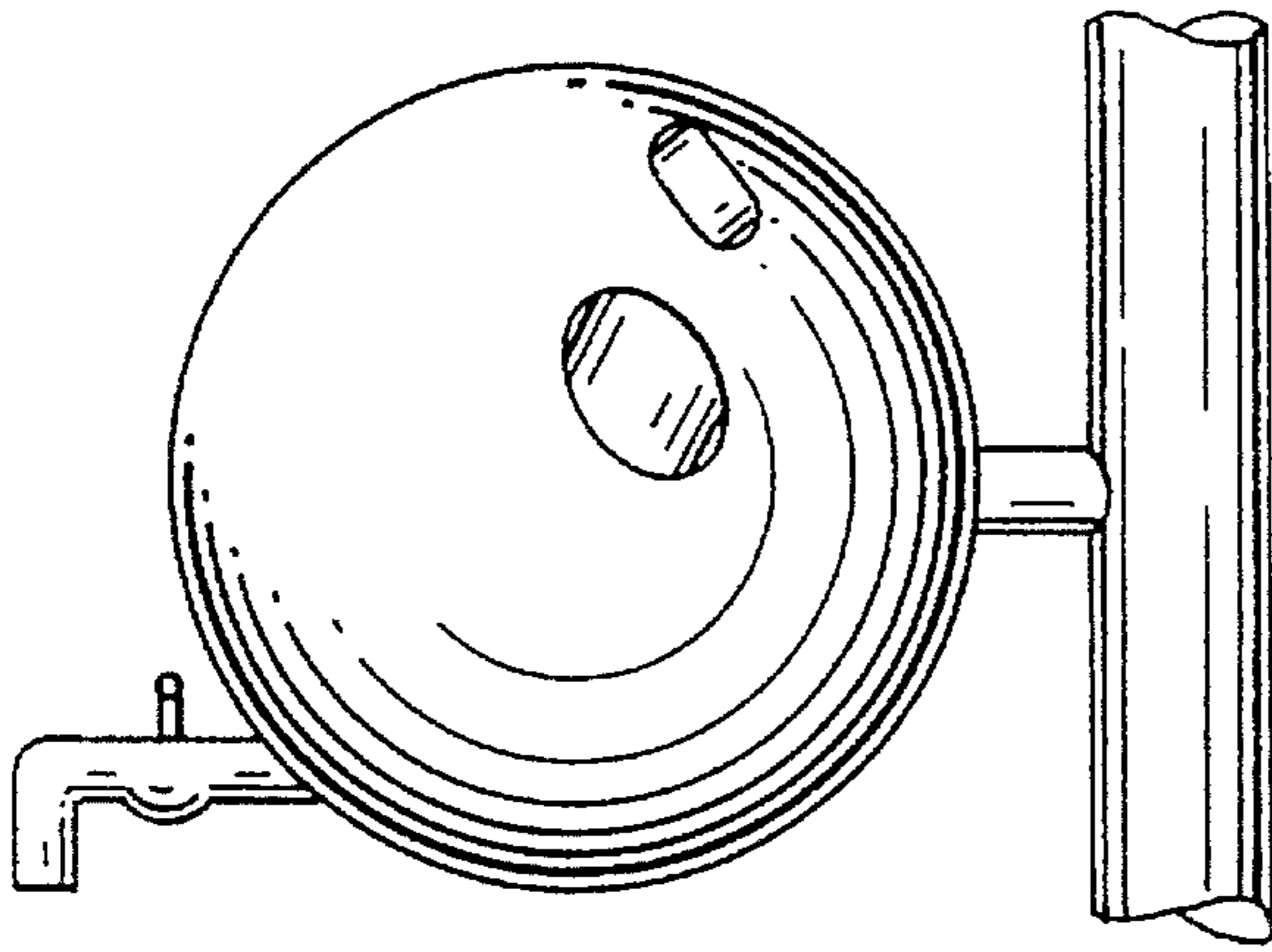


FIG. 6

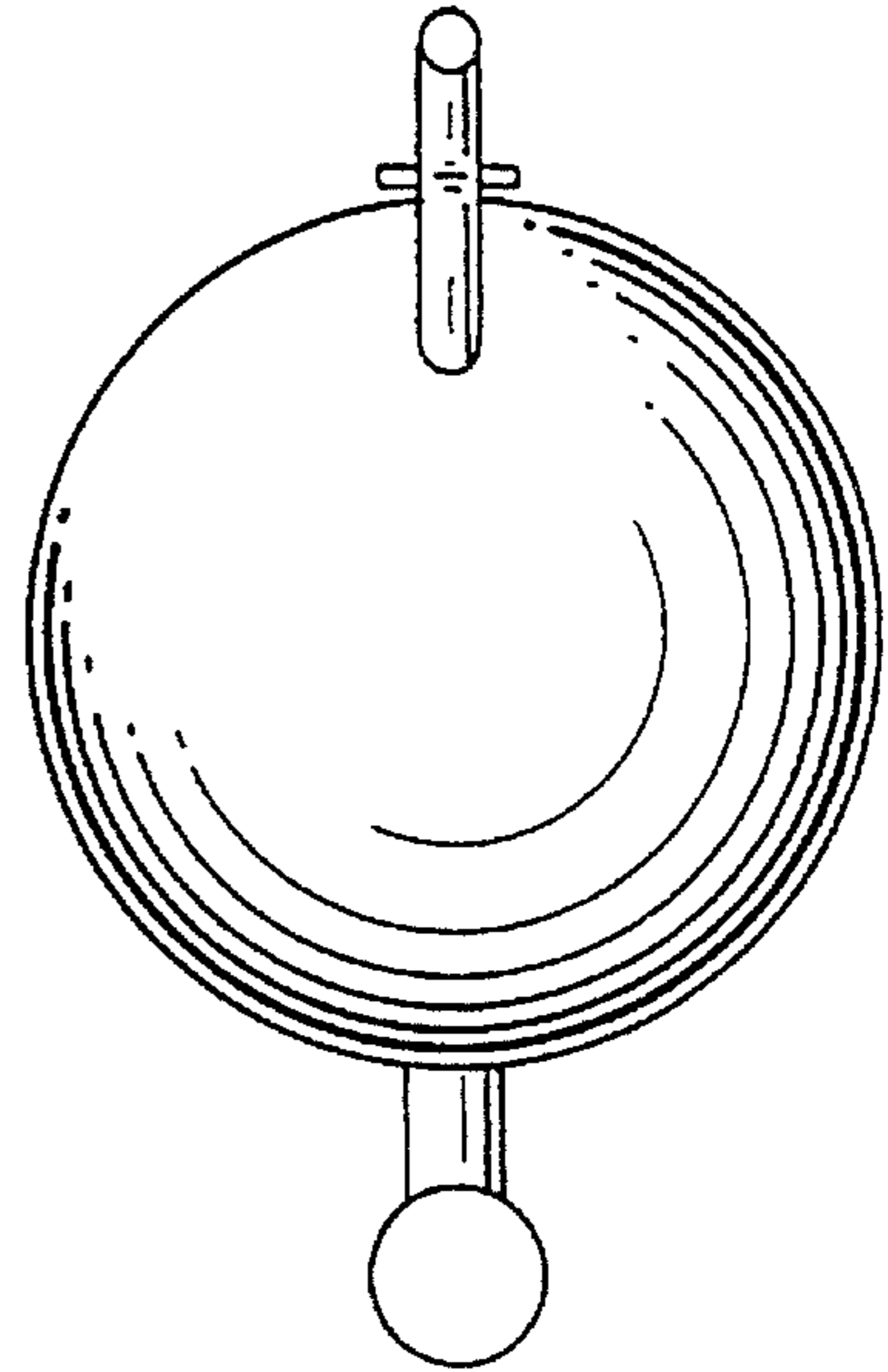


FIG. 7

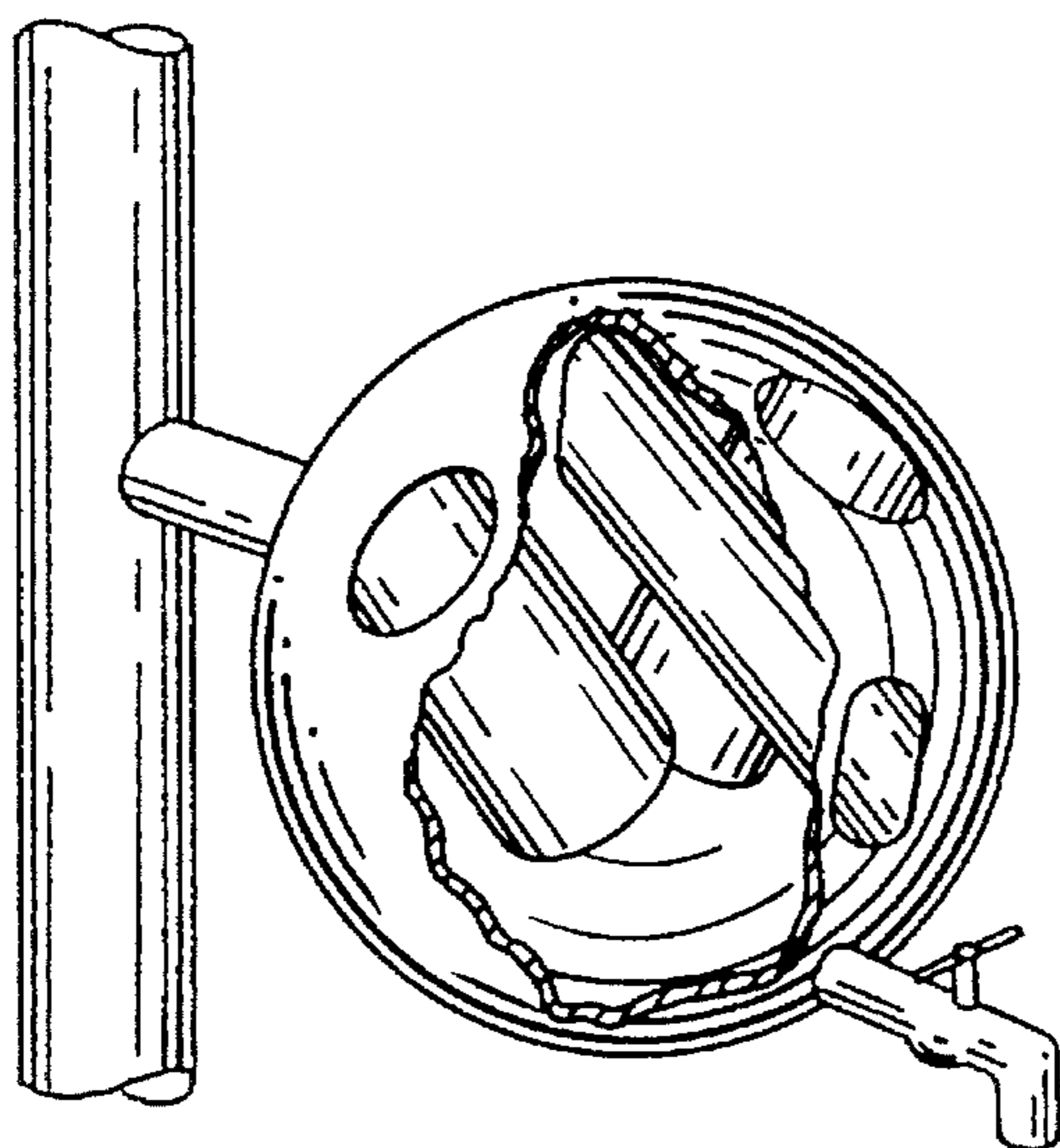


FIG. 8

