



US00D367379S

United States Patent [19]

Nicholson et al.

[11] Patent Number: **Des. 367,379**

[45] Date of Patent: ****Feb. 27, 1996**

[54] **MULTI-PURPOSE TABLE**

[75] Inventors: **James H. Nicholson**, New Castle;
Ormond G. O'Brien, Rescue, both of Calif.

[73] Assignee: **Telic Systems, Inc.**, New Castle, Calif.

[**] Term: **14 Years**

[21] Appl. No.: **33,650**

[22] Filed: **Jan. 17, 1995**

[52] U.S. Cl. **D6/429**; D6/420; D6/430

[58] Field of Search D6/480-489, 495,
D6/497, 429, 430; 108/144, 116, 130, 131,
160, 115; 248/188, 188.1, 188.6, 166

[56] **References Cited**

U.S. PATENT DOCUMENTS

D. 194,573	2/1963	Ovendale	D6/429 X
D. 277,056	1/1985	Nicholson	.	
D. 323,436	1/1992	Harrison	D6/429
2,425,263	8/1947	Niver	108/144
3,436,092	4/1969	Werner	108/115
4,572,081	2/1986	Copeland	108/11

Primary Examiner—Janice E. Seeger
Attorney, Agent, or Firm—Lothrop & West

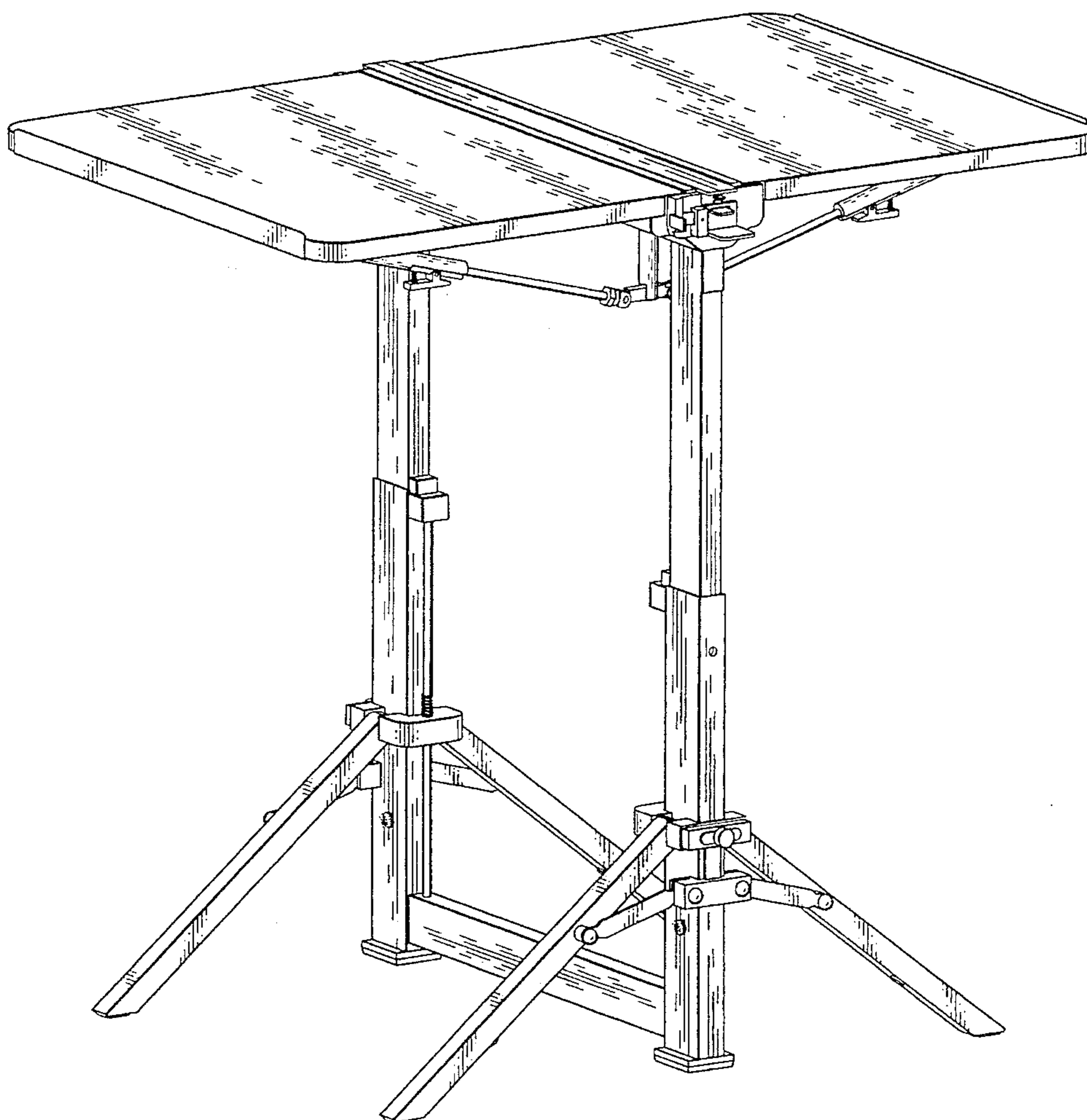
[57] **CLAIM**

The ornamental design for a multi-purpose table, as shown and described.

DESCRIPTION

FIG. 1 is a perspective of a multi-purpose table in unfolded position, showing our new design;
 FIG. 2 is a perspective thereof in folded position;
 FIG. 3 is a right side elevation thereof in folded position, the left side being a mirror image;
 FIG. 4 is a front elevation thereof in unfolded position;
 FIG. 5 is a top plan thereof in unfolded position;
 FIG. 6 is a right side elevation thereof in unfolded position, the left side being a mirror image;
 FIG. 7 is a bottom plan thereof in unfolded position;
 FIG. 8 is a rear elevation thereof in unfolded position;
 FIG. 9 is a view similar to that of FIG. 6 but with one of the table panels in upwardly inclined attitude; and,
 FIG. 10 is similar to FIG. 9 but with the panel in vertical attitude.

1 Claim, 6 Drawing Sheets



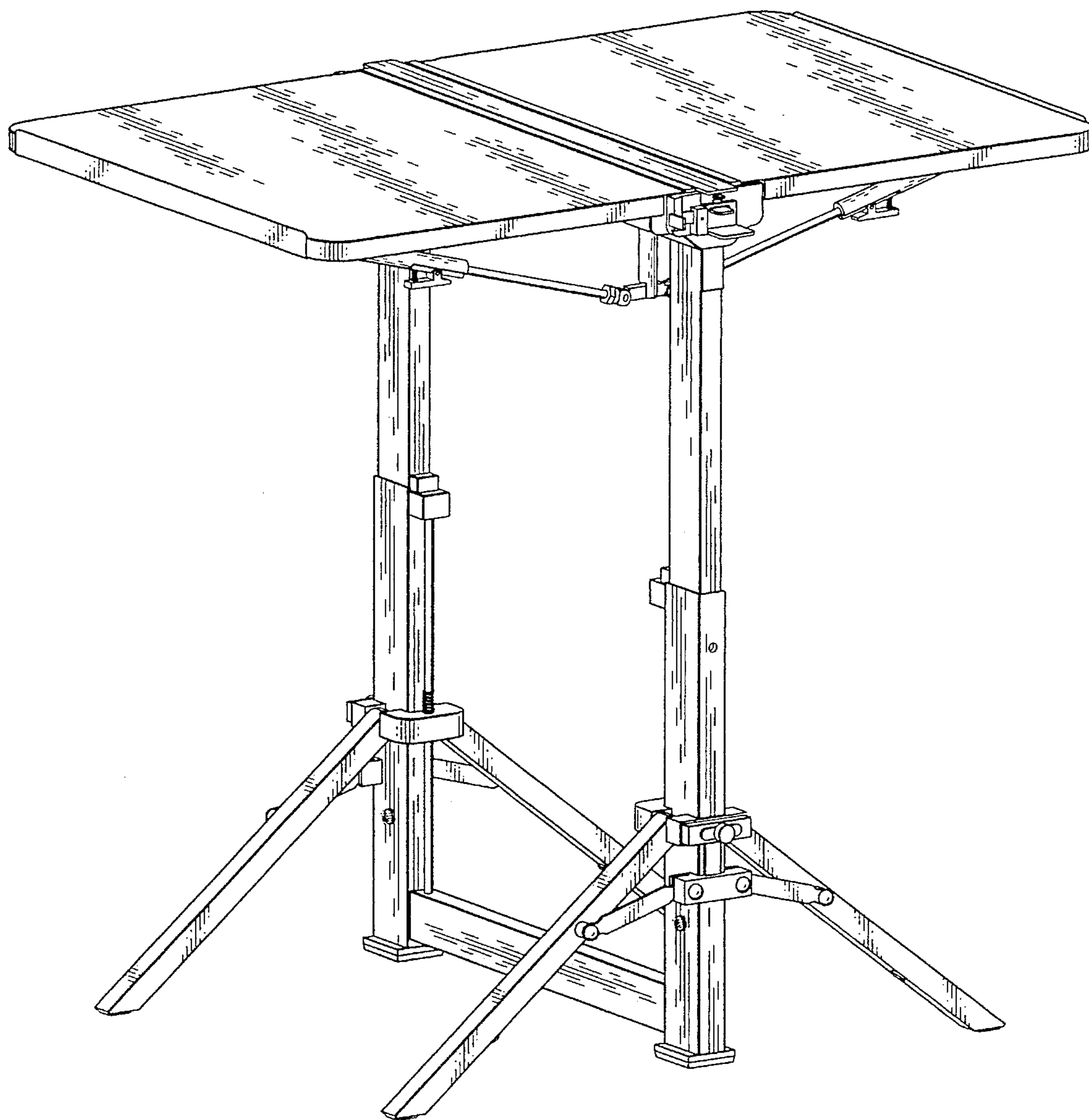


Fig. 1

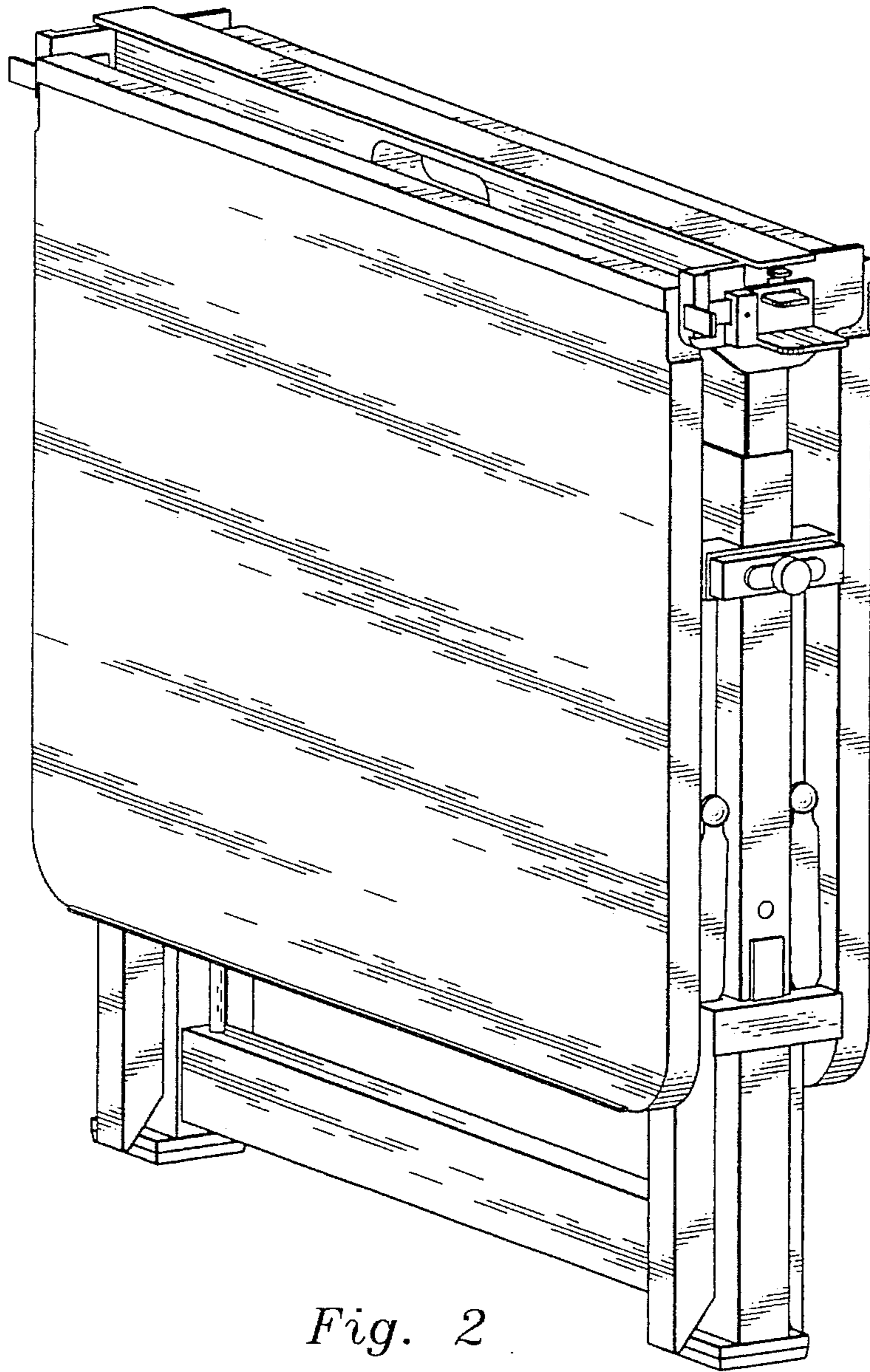


Fig. 2

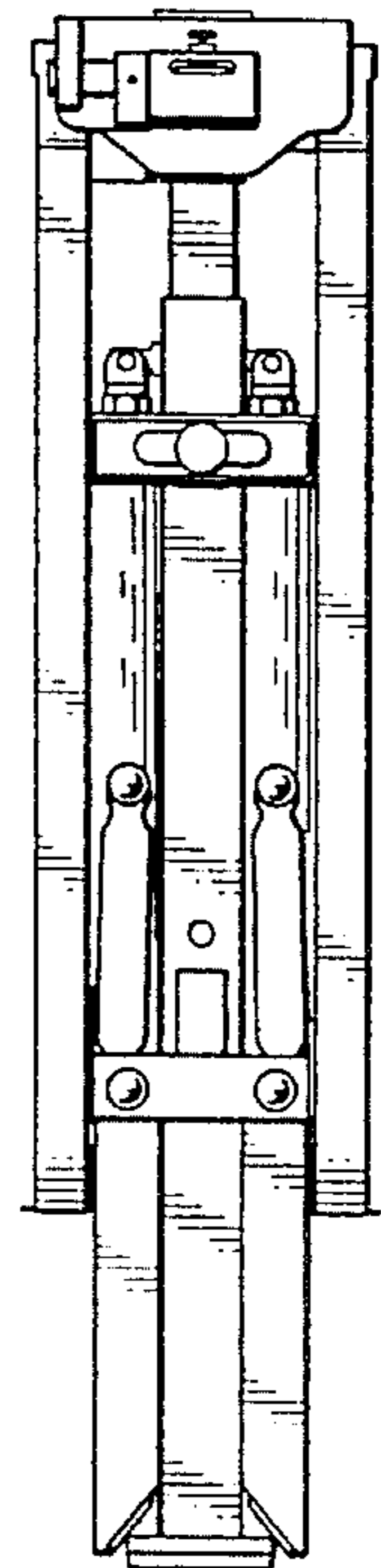


Fig. 3

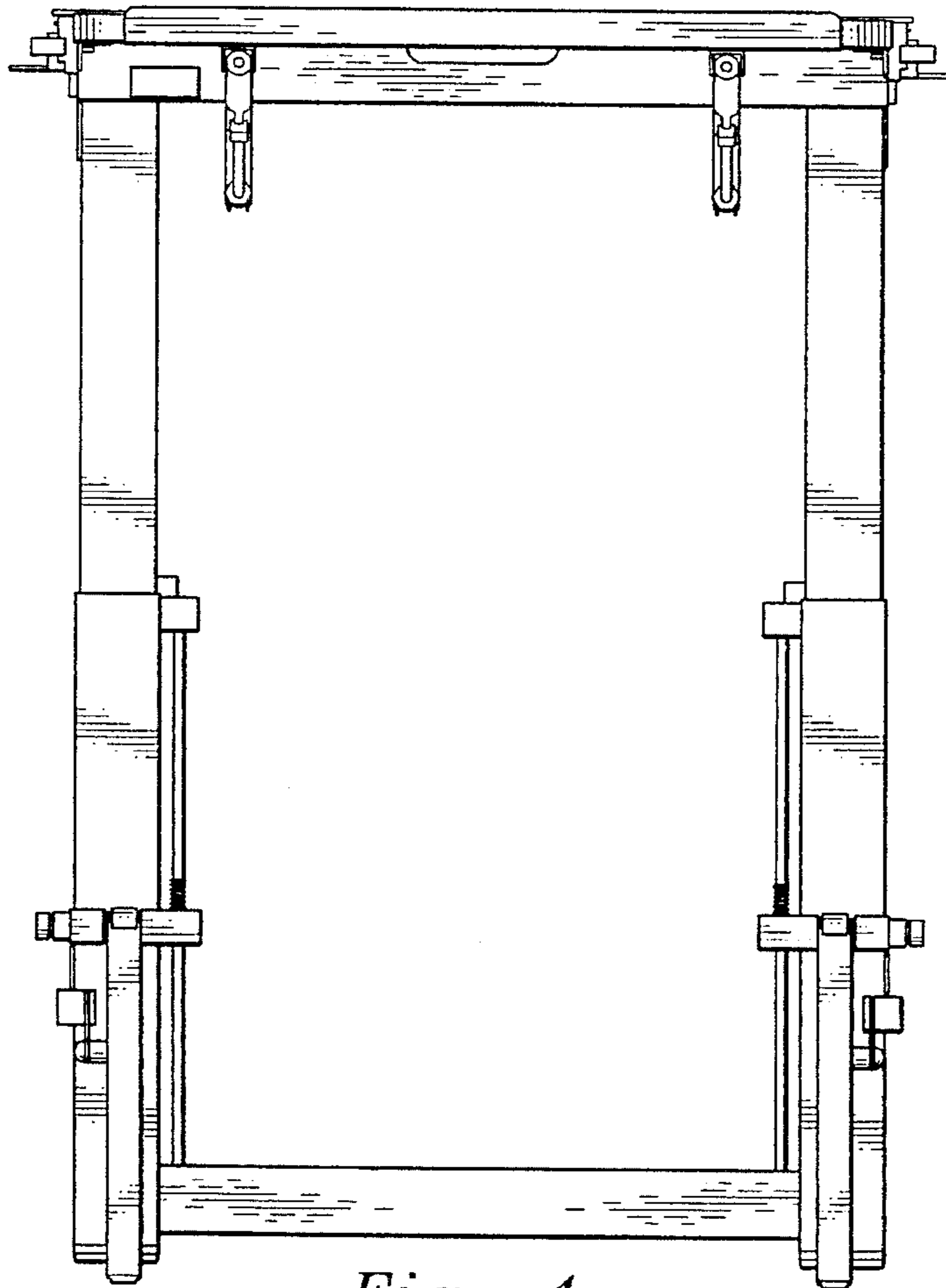


Fig. 4

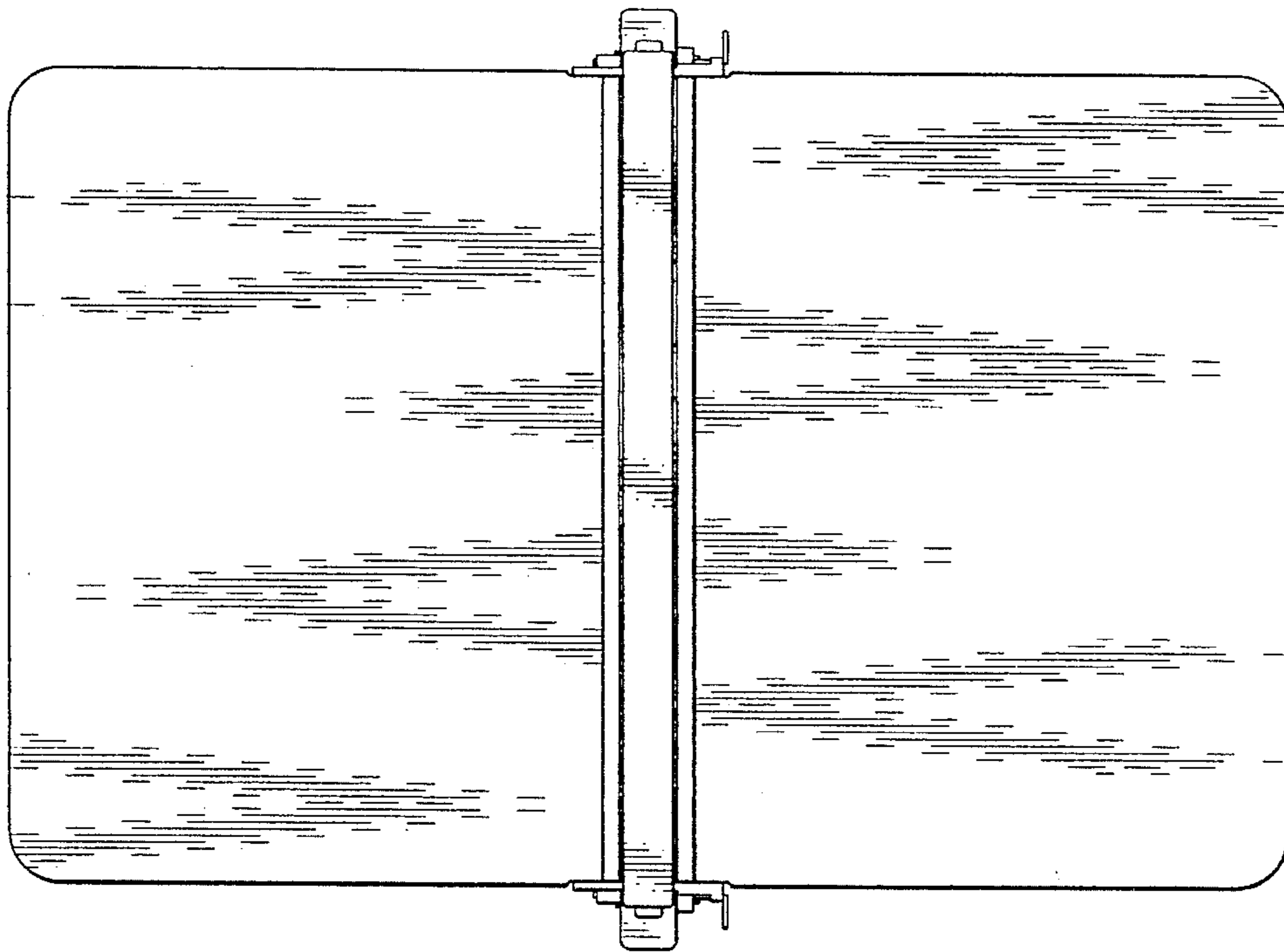


Fig. 5

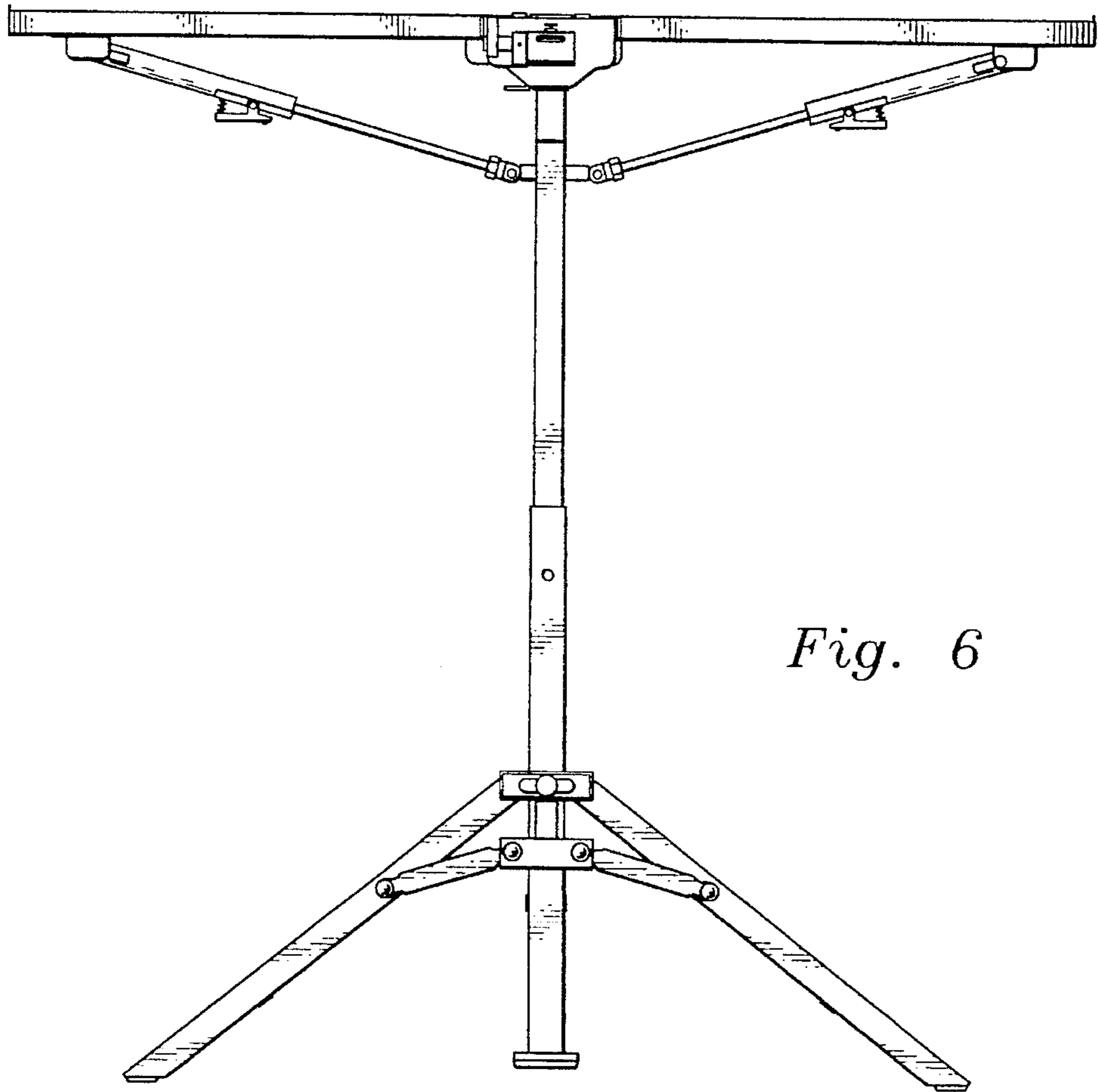


Fig. 6

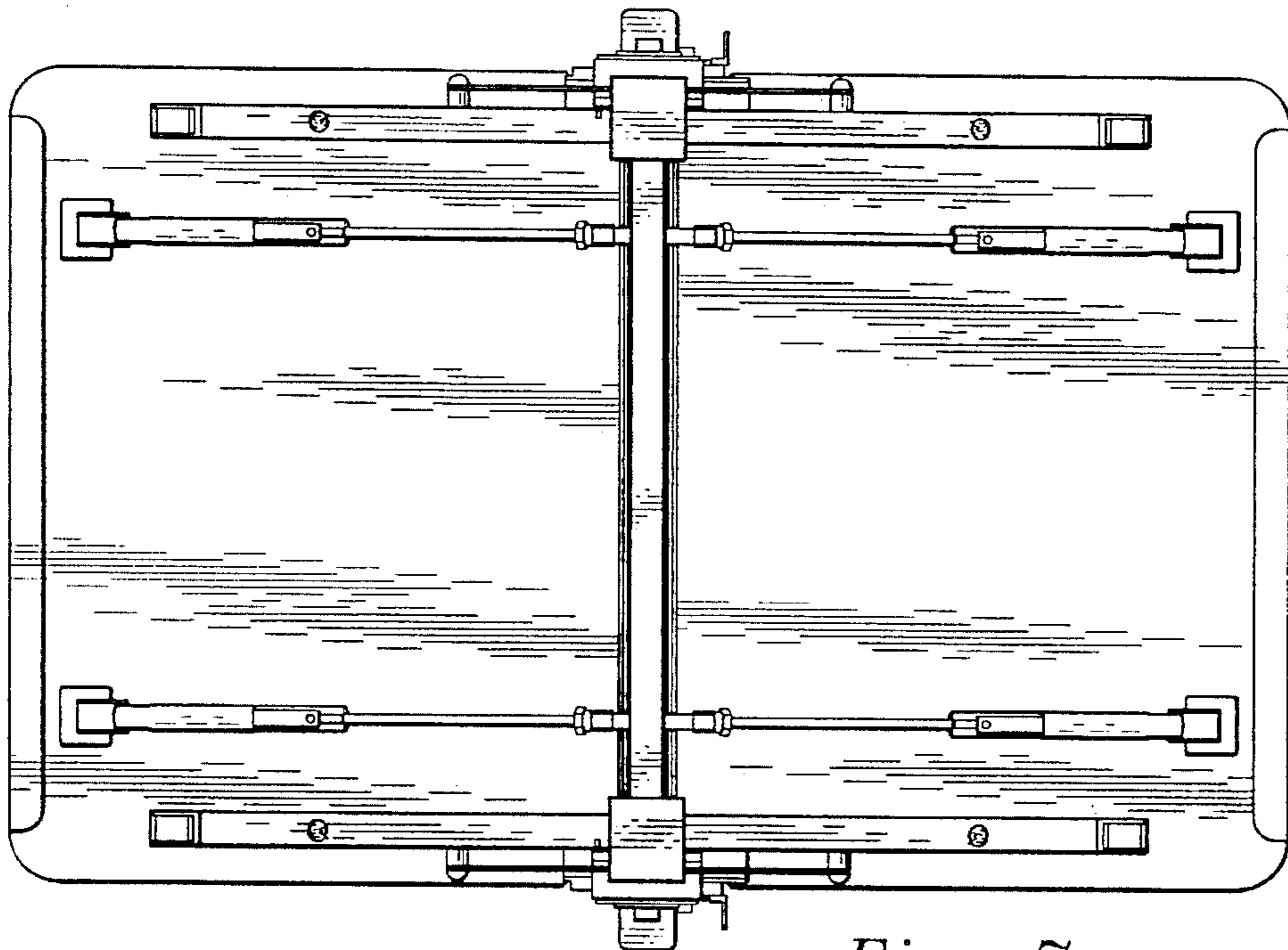


Fig. 7

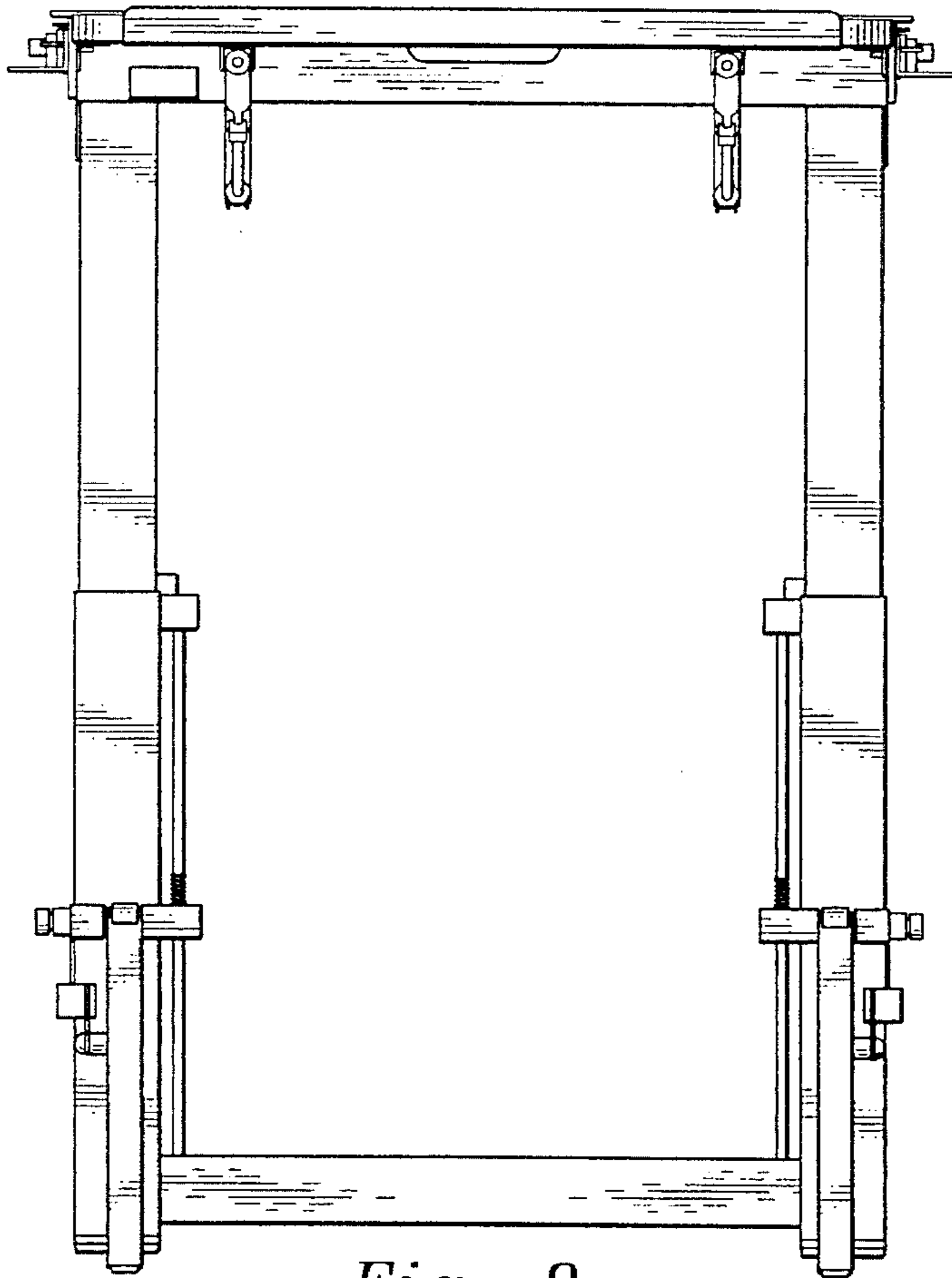


Fig. 8

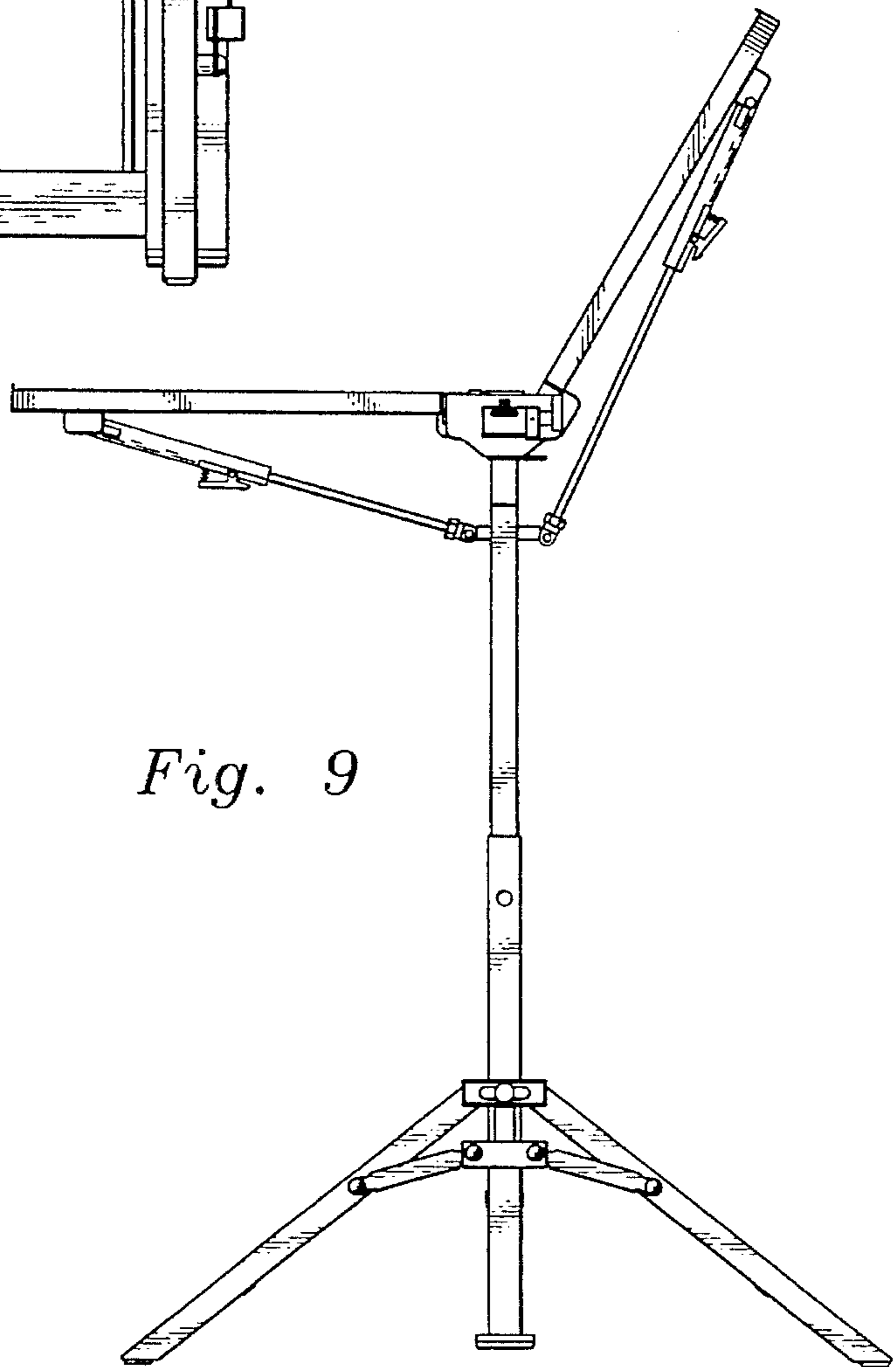


Fig. 9

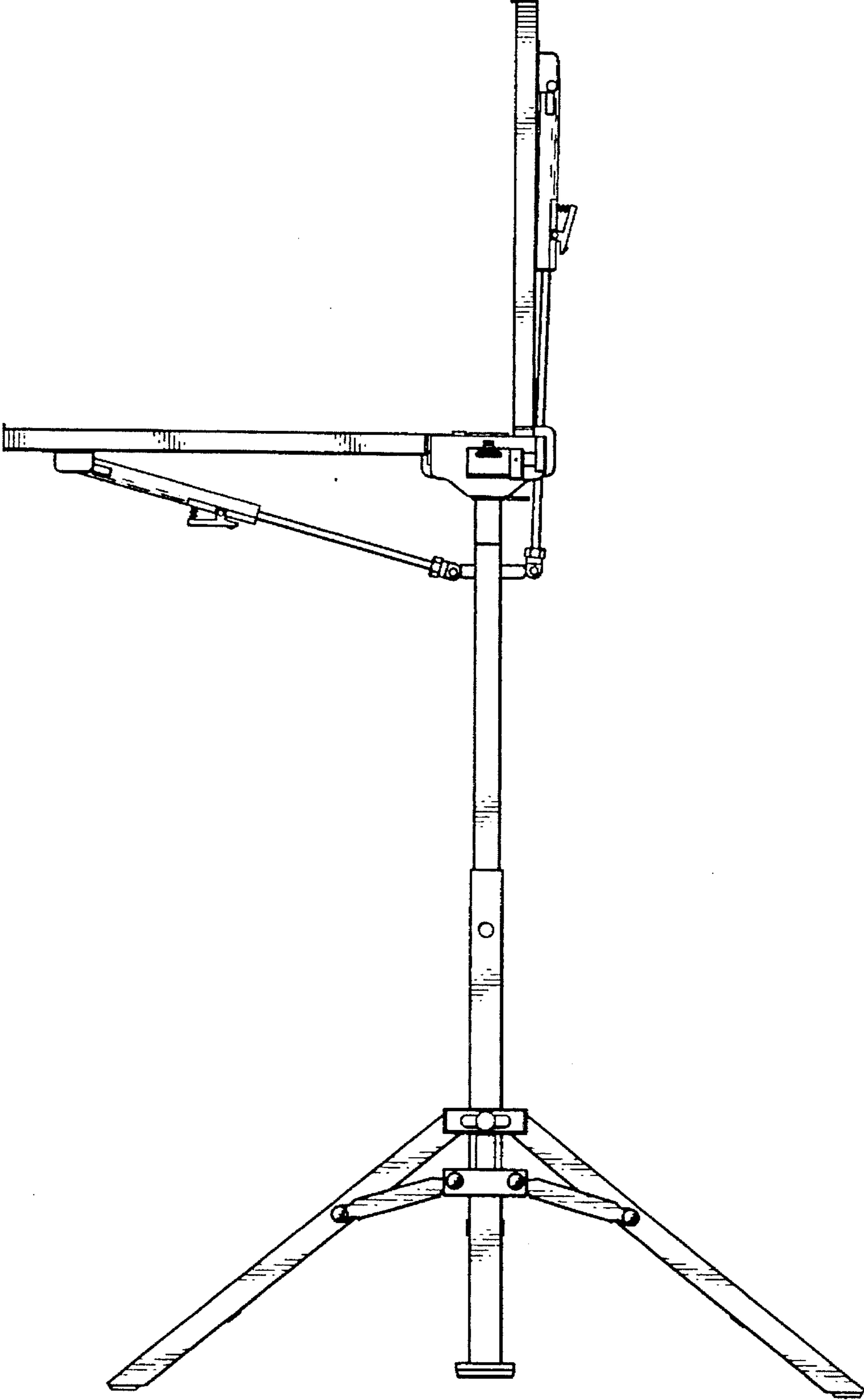


Fig. 10