



US00D367378S

United States Patent [19]

Green et al.

[11] Patent Number: **Des. 367,378**

[45] Date of Patent: ****Feb. 27, 1996**

[54] **DESK**

[75] Inventors: **Patrick M. Green**, Maryville; **Robert R. Huerto**, Farragut, both of Tenn.

[73] Assignee: **Rubbermaid Office Products Inc.**, Maryville, Tenn.

[**] Term: **14 Years**

[21] Appl. No.: **16,924**

[22] Filed: **Dec. 29, 1993**

[52] U.S. Cl. **D6/428**

[58] Field of Search D6/396, 397, 419-428,
D6/449, 477, 479; 312/194-196

[56] **References Cited**

U.S. PATENT DOCUMENTS

D. 220,443	4/1971	Beavers	D6/428
D. 237,439	11/1975	Kiser	D6/420
D. 239,488	4/1976	Sandefur .	
D. 281,297	11/1985	Esslinger	D6/484
D. 295,474	5/1988	Uredat-Neuhoff	D6/484
D. 306,105	2/1990	Newhouse	D6/420
D. 315,457	3/1991	Garza	D6/428
D. 318,768	8/1981	Westland et al.	D6/422
D. 322,729	12/1991	Diffrient	D6/487
D. 336,394	6/1993	Ball	D6/487
1,211,433	1/1917	Gibbons	D6/397
2,675,288	4/1954	Usher	312/194
3,882,795	5/1975	Korell	108/1
4,443,046	4/1984	Hannah	312/183
4,637,666	1/1987	Worrell et al.	312/196

OTHER PUBLICATIONS

P. 118, Desks; Visible, A subsidiary of Wallace Computer Services, Inc., 1750 Wallace Ave., St. Charles, IL 60174. Publication date Fall/Winter 1992.

P. 219, Desks; Inmac, 2465 Augustine Dr., P.O. Box 58031, Santa Clara, CA 95052-8031. Publication date Winter/Spring 1992.

Pp. 17 and 18, Desks; Reliable Home Office, 421 E. Stevens Dr., Ottawa, IL 61350. It is believed that the products depicted herein have been on sale for more than one (1) year prior to the application date of this instant application.

Catalog page, Desk; Rubbermaid Incorporated, 1147 Akron Rd., Wooster, Ohio 44691. Publication date 1993.

Primary Examiner—Alan P. Douglas

Assistant Examiner—Cathron B. Matta

Attorney, Agent, or Firm—Richard B. O'Planick; Lisa B. Riedesel

[57] **CLAIM**

The ornamental design for a desk, as shown and described.

DESCRIPTION

FIG. 1 is a top left front perspective view of a desk showing our new design;

FIG. 2 is a top plan view thereof;

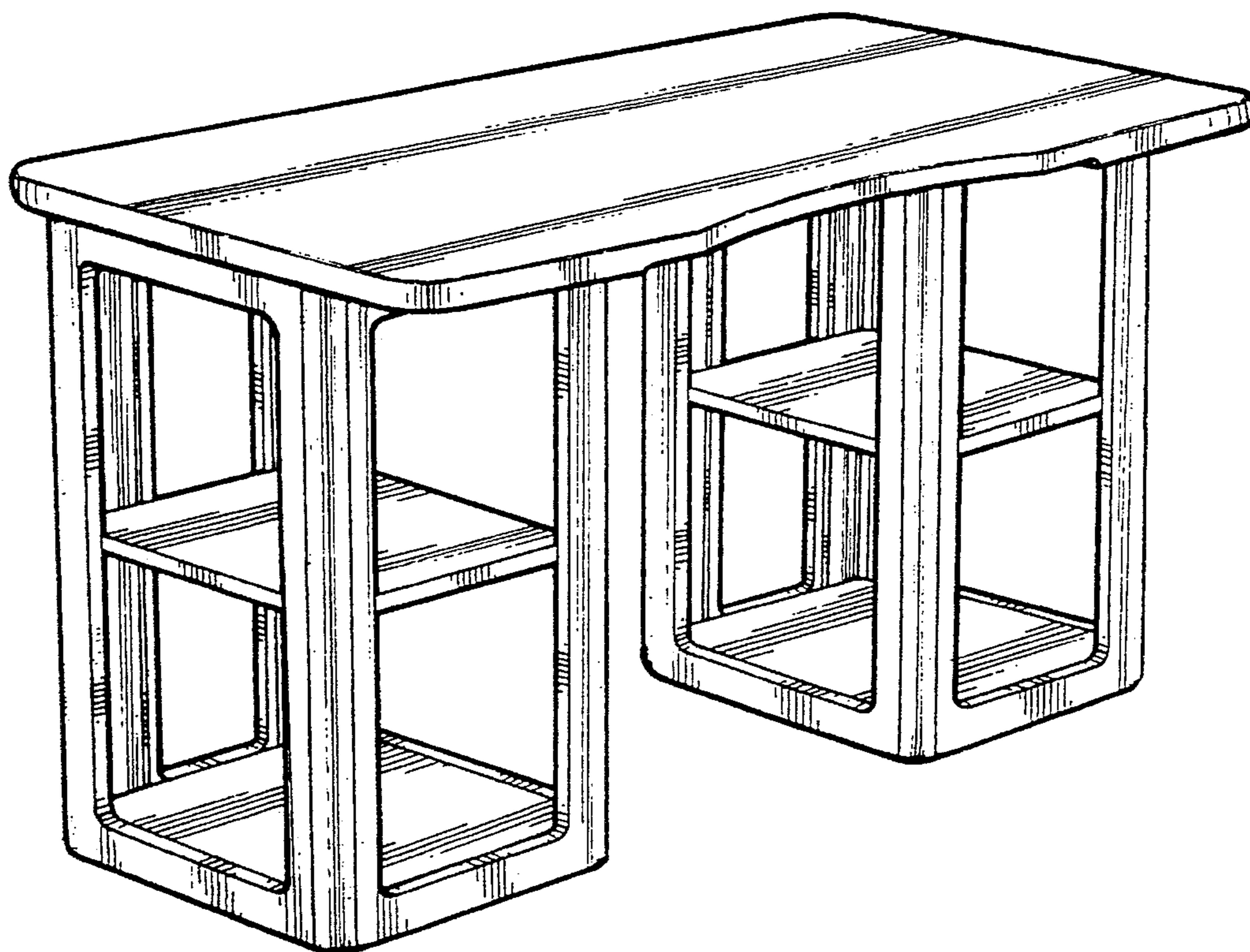
FIG. 3 is a front elevational view thereof;

FIG. 4 is a left side elevational view thereof; the right side elevational view being a mirror image;

FIG. 5 is a rear elevational view thereof; and,

FIG. 6 is a bottom plan view thereof.

1 Claim, 3 Drawing Sheets



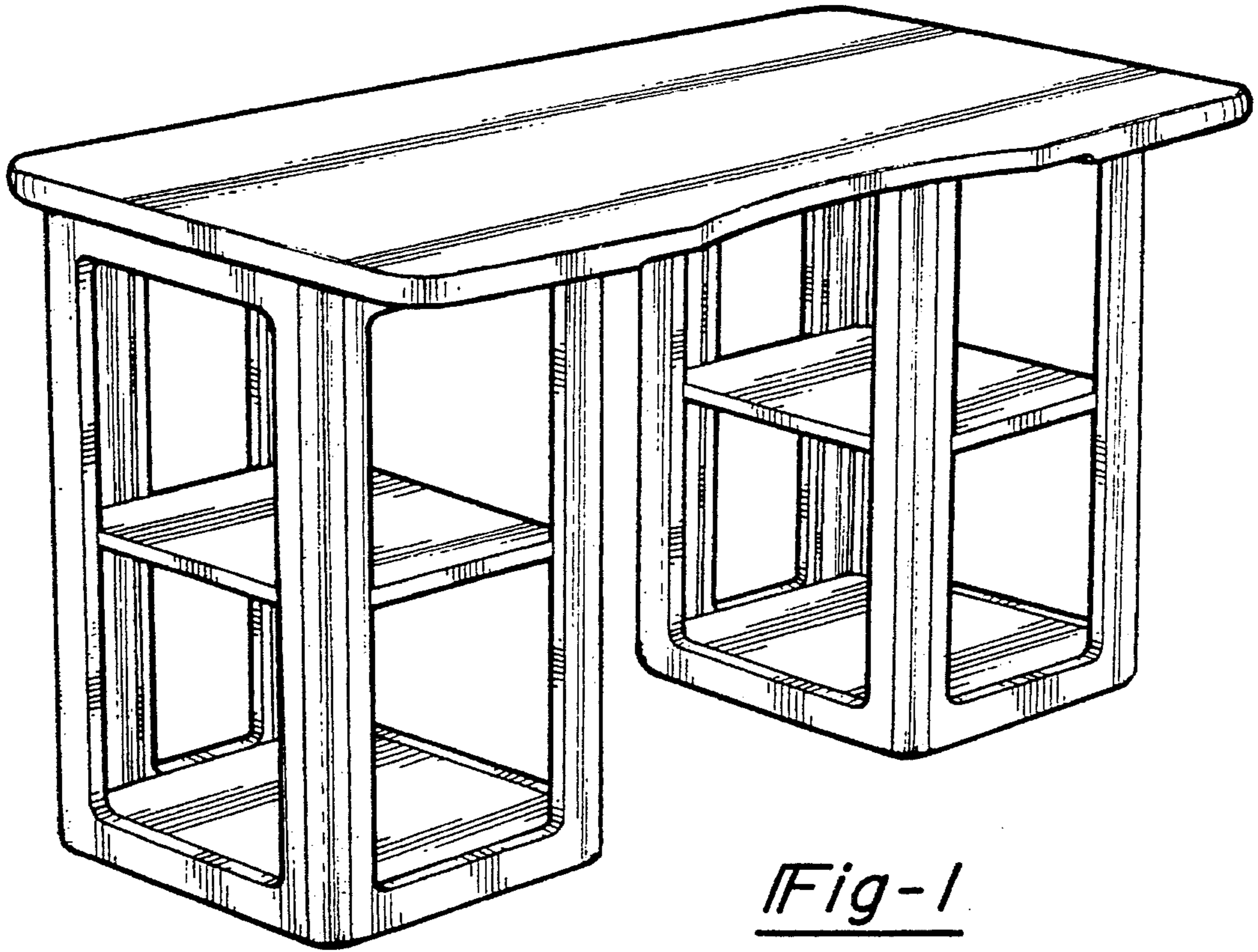


Fig-1

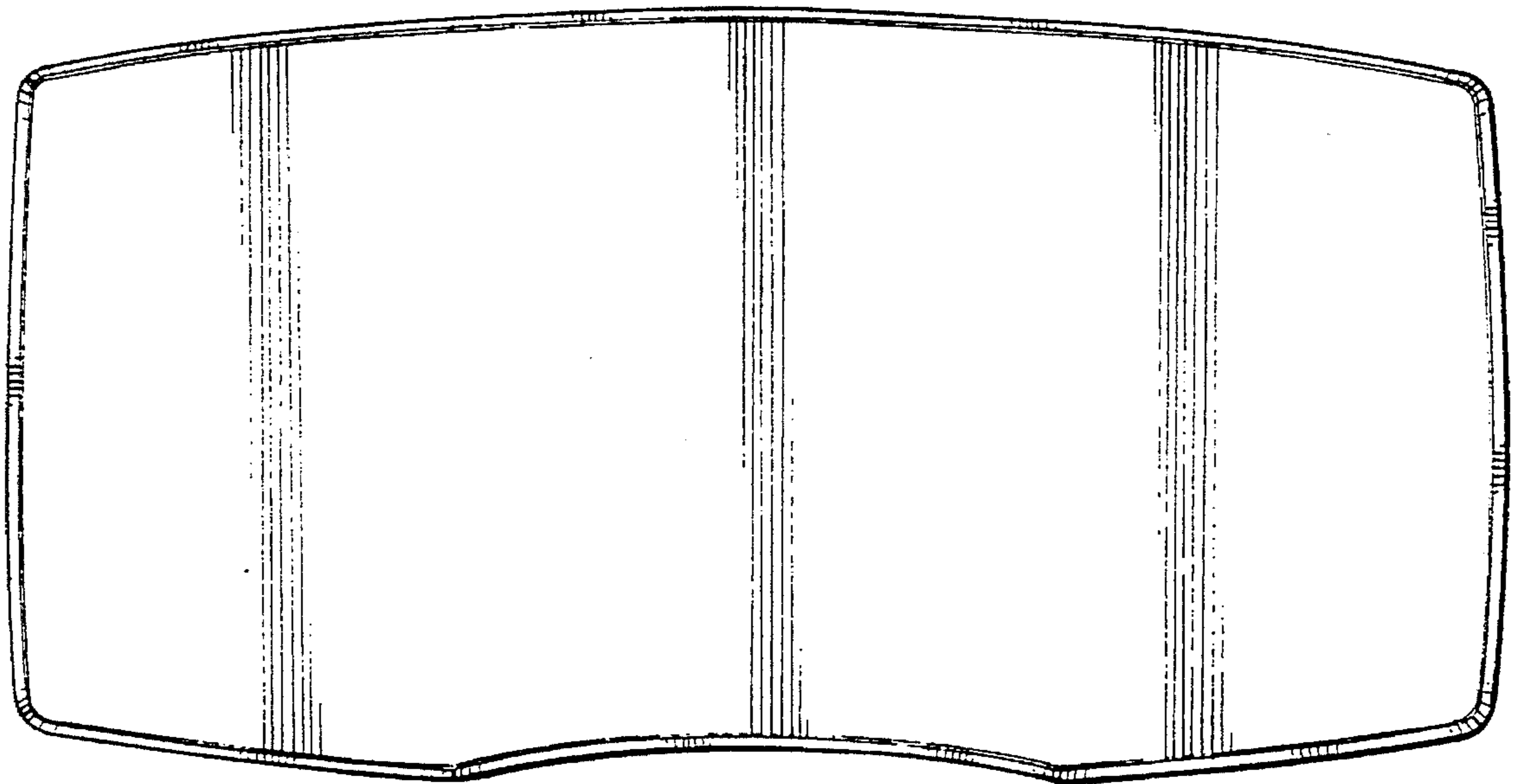


Fig-2

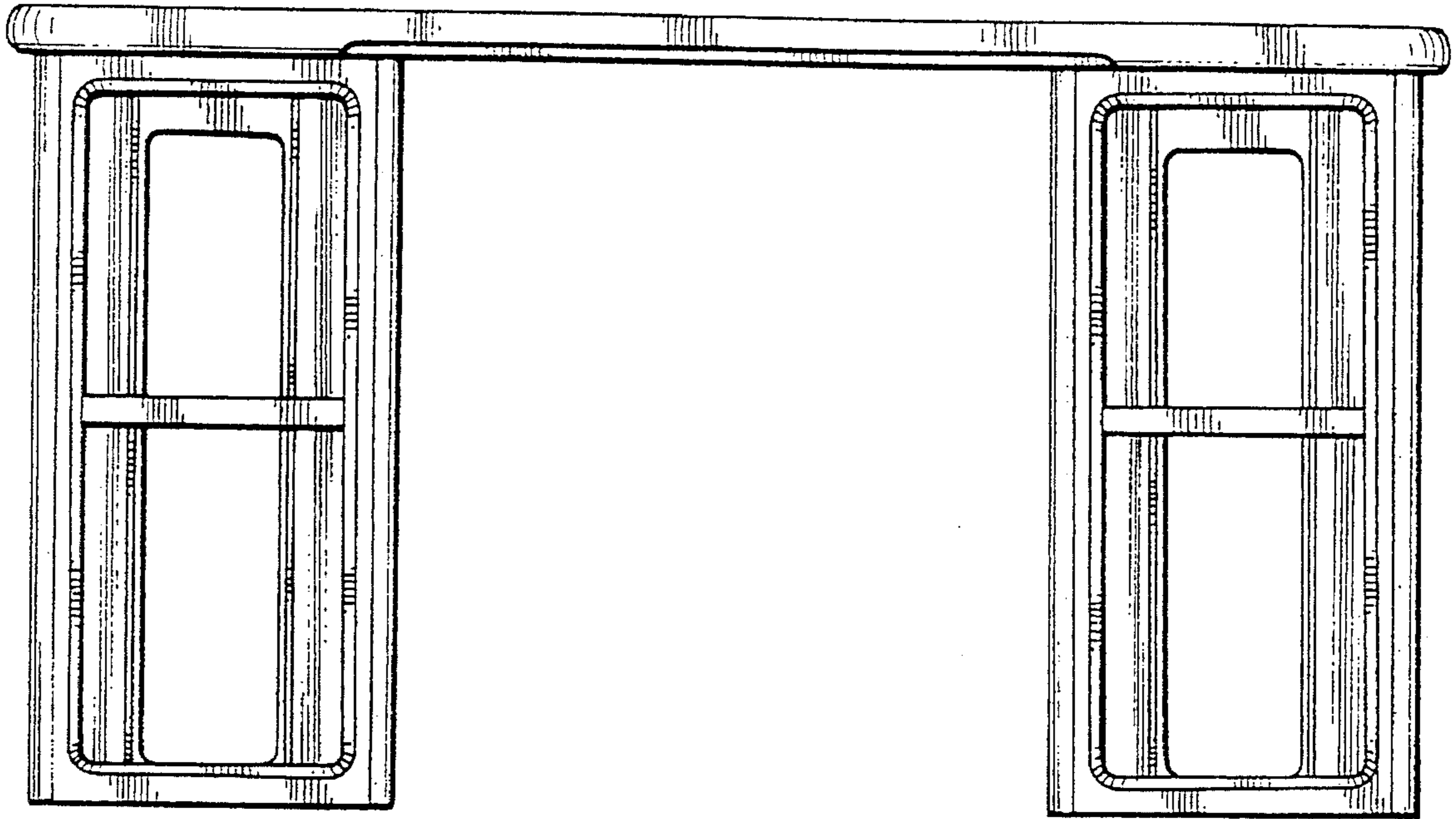


Fig-3

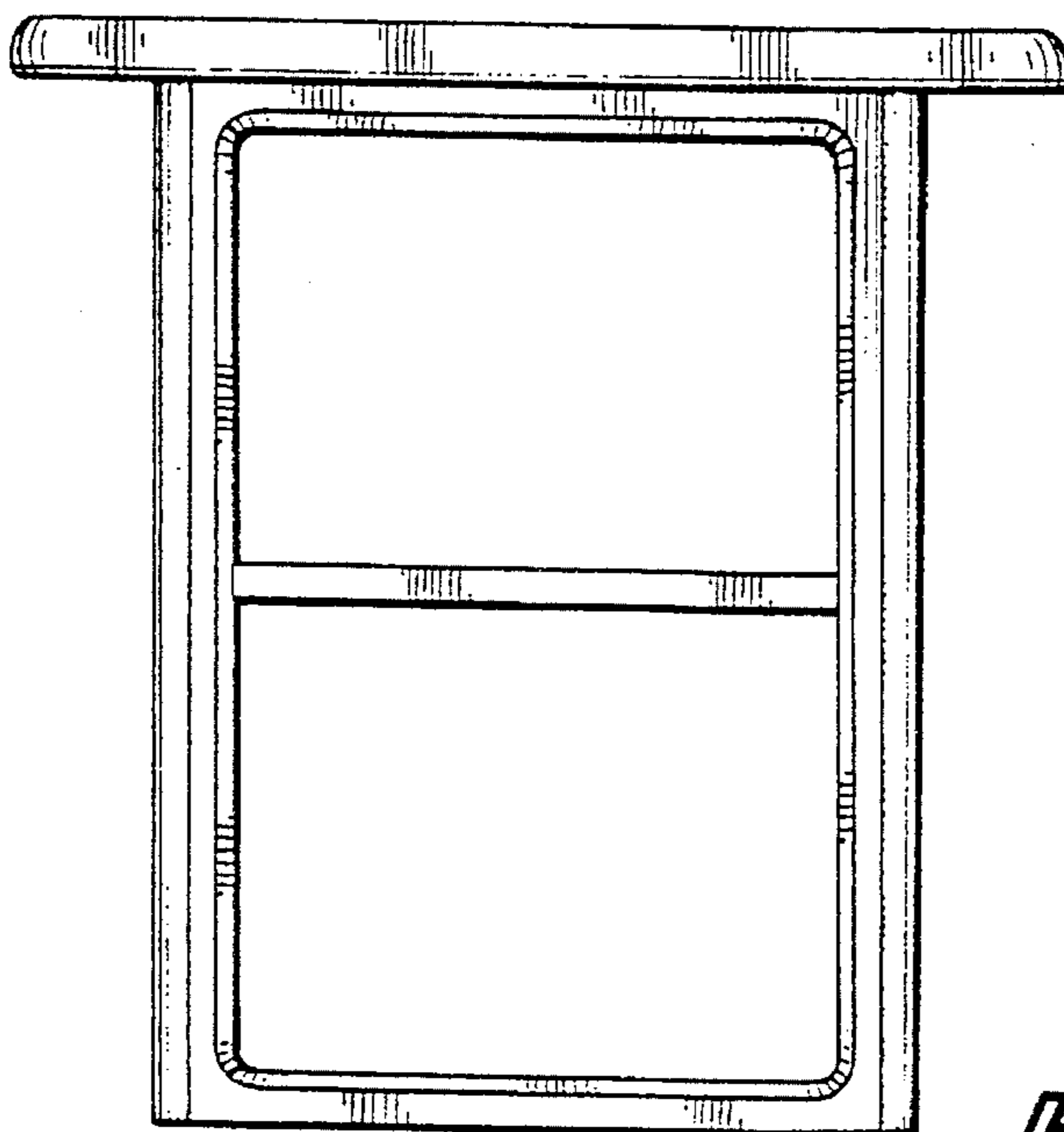


Fig-4

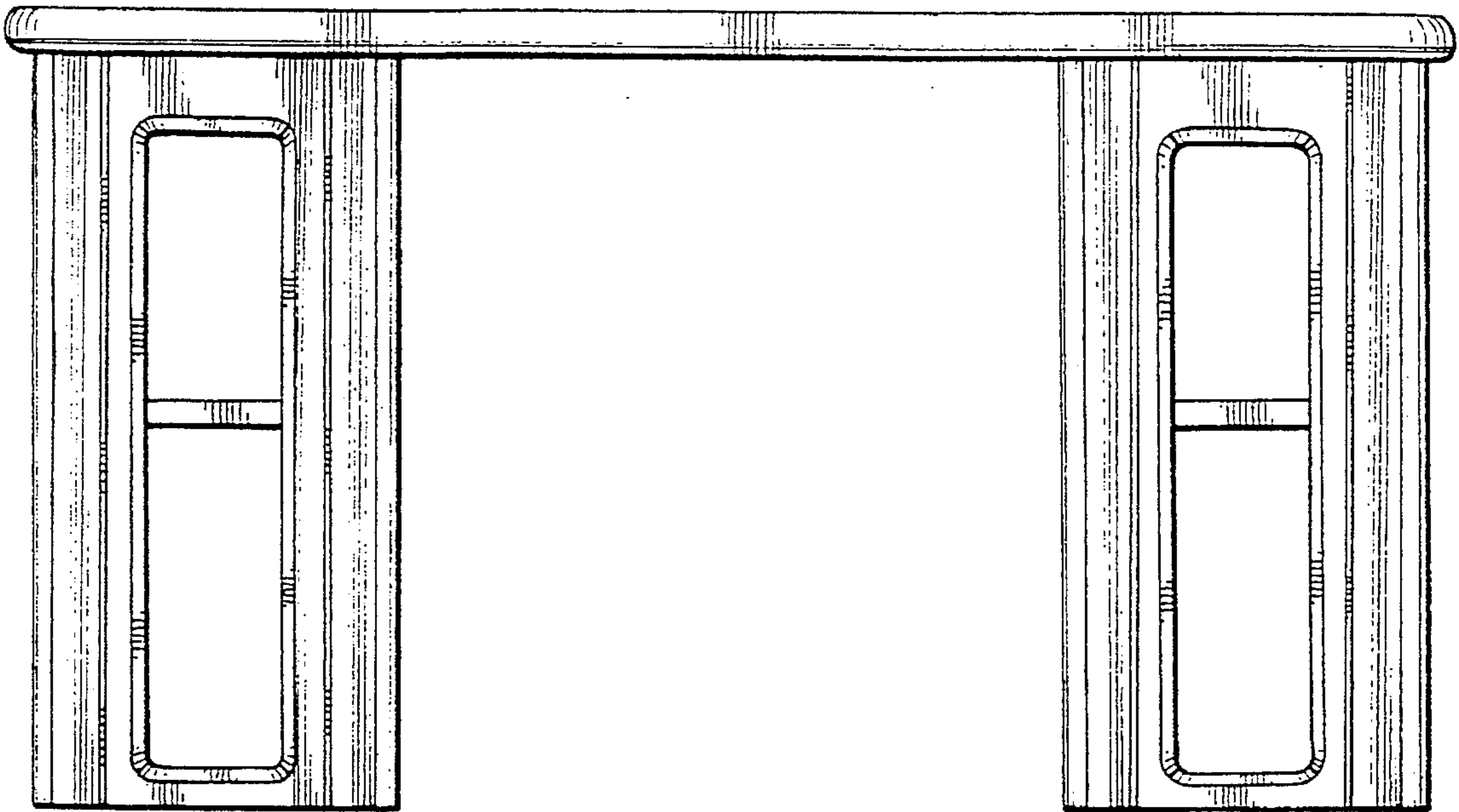


Fig-5

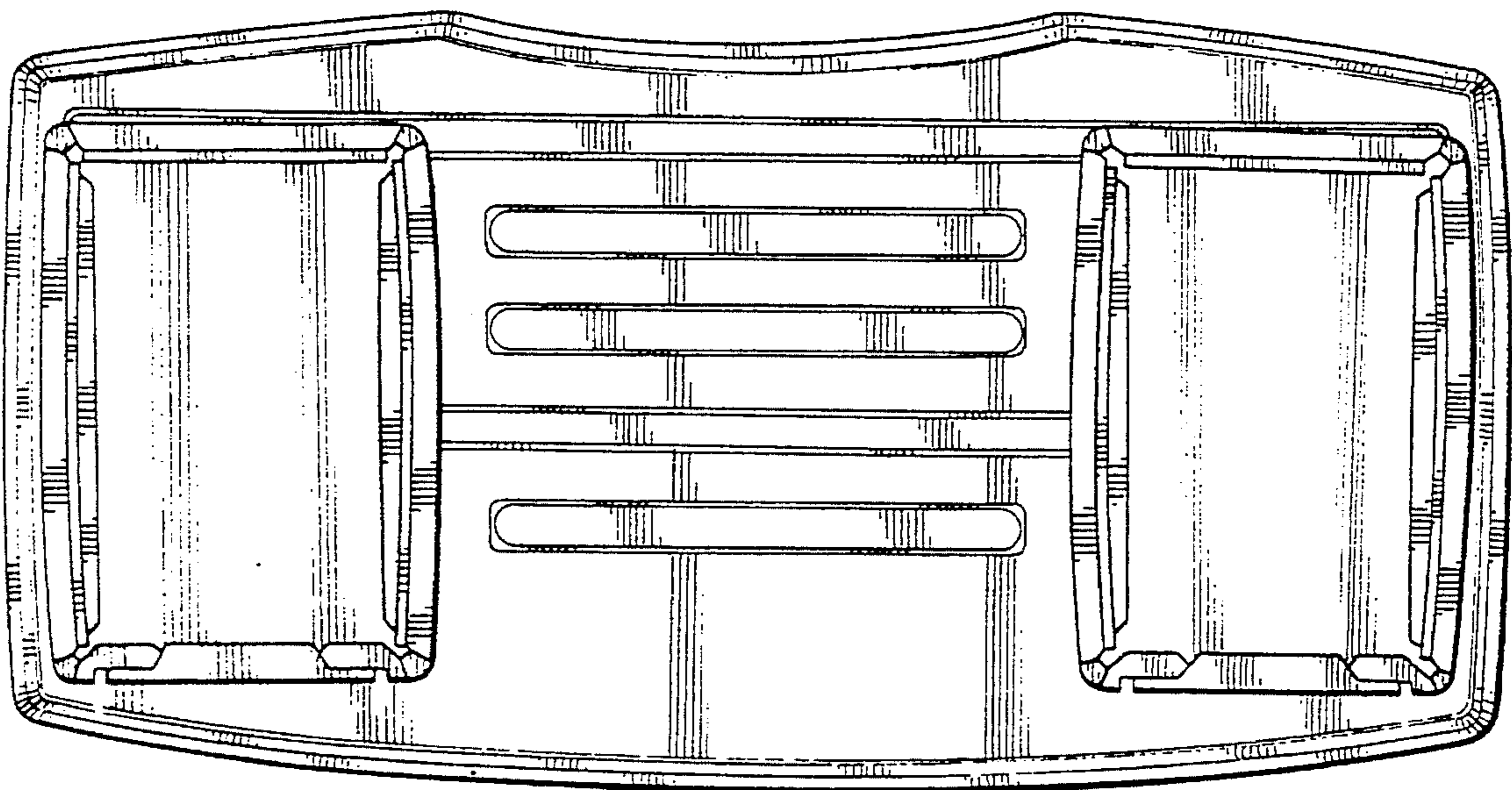


Fig-6