



US00D367377S

United States Patent [19]

[11] Patent Number: **Des. 367,377**

Langton et al.

[45] Date of Patent: ****Feb. 27, 1996**

[54] **FOLDABLE BOOK REST**

4,703,910 11/1987 Ross 248/463

[76] Inventors: **James A. Langton; Roberta A. Langton**, both of 14 Mohawk Dr., South Dartmouth, Mass. 02748

Primary Examiner—Alan P. Douglas
Assistant Examiner—Cathron B. Matta
Attorney, Agent, or Firm—William B. Ritchie

[**] Term: **14 Years**

[57] **CLAIM**

[21] Appl. No.: **22,525**

The ornamental design for foldable book rest, as shown and described.

[22] Filed: **May 6, 1994**

DESCRIPTION

[52] U.S. Cl. **D6/419**; D19/91

[58] Field of Search D6/396, 397, 419, D6/420, 429, 430, 431, 449, 466, 310-314; 248/441.1, 453, 455, 463, 447, 460; D19/91, 88, 90

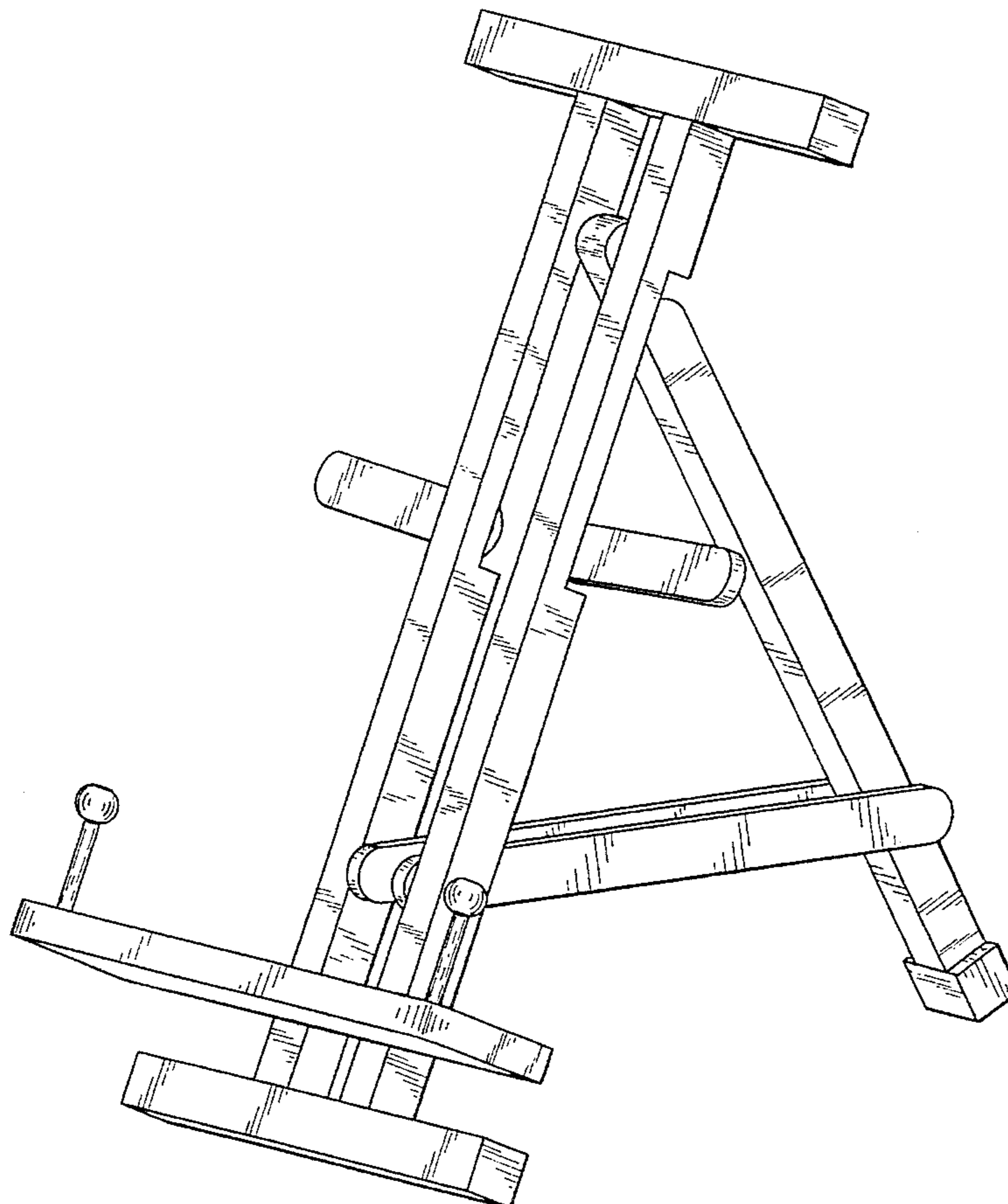
FIG. 1 is an isometric front view of the foldable book rest in the expanded state in accordance with the invention; FIG. 2 is a front view of the invention in the expanded state; FIG. 3 is a rear view of the invention in the expanded state; FIG. 4 is an isometric rear view of the invention in the expanded state, in accordance with the invention; FIG. 5 is a rear view of the invention in a partially folded state; FIG. 6 is an isometric front view of an alternative embodiment of the book rest in the expanded state; FIG. 7 is a rear view of an alternative embodiment of the book rest in the expanded state; FIG. 8 is an isometric rear view of an alternative embodiment of the book rest in the expanded state; and, FIG. 9 is a rear view of an alternative embodiment of the book rest in a partially folded state.

[56] References Cited

U.S. PATENT DOCUMENTS

D. 137,164	2/1944	Peck	D6/311
D. 251,647	4/1979	Valien	D6/311
D. 260,589	9/1981	O'Brien	D6/449 X
D. 268,108	3/1983	Stearns et al.	D6/449 X
D. 325,679	4/1992	O'Mealy et al.	D6/396 X
D. 358,271	5/1995	Leveen et al.	D6/419
D. 358,611	5/1995	Dainoff et al.	D19/88
2,691,238	10/1954	Svatos	D6/419 X
3,095,665	7/1963	Killen	248/455 X
3,095,666	7/1963	Killen	248/455 X
3,980,267	9/1976	Palmer	248/463

1 Claim, 9 Drawing Sheets



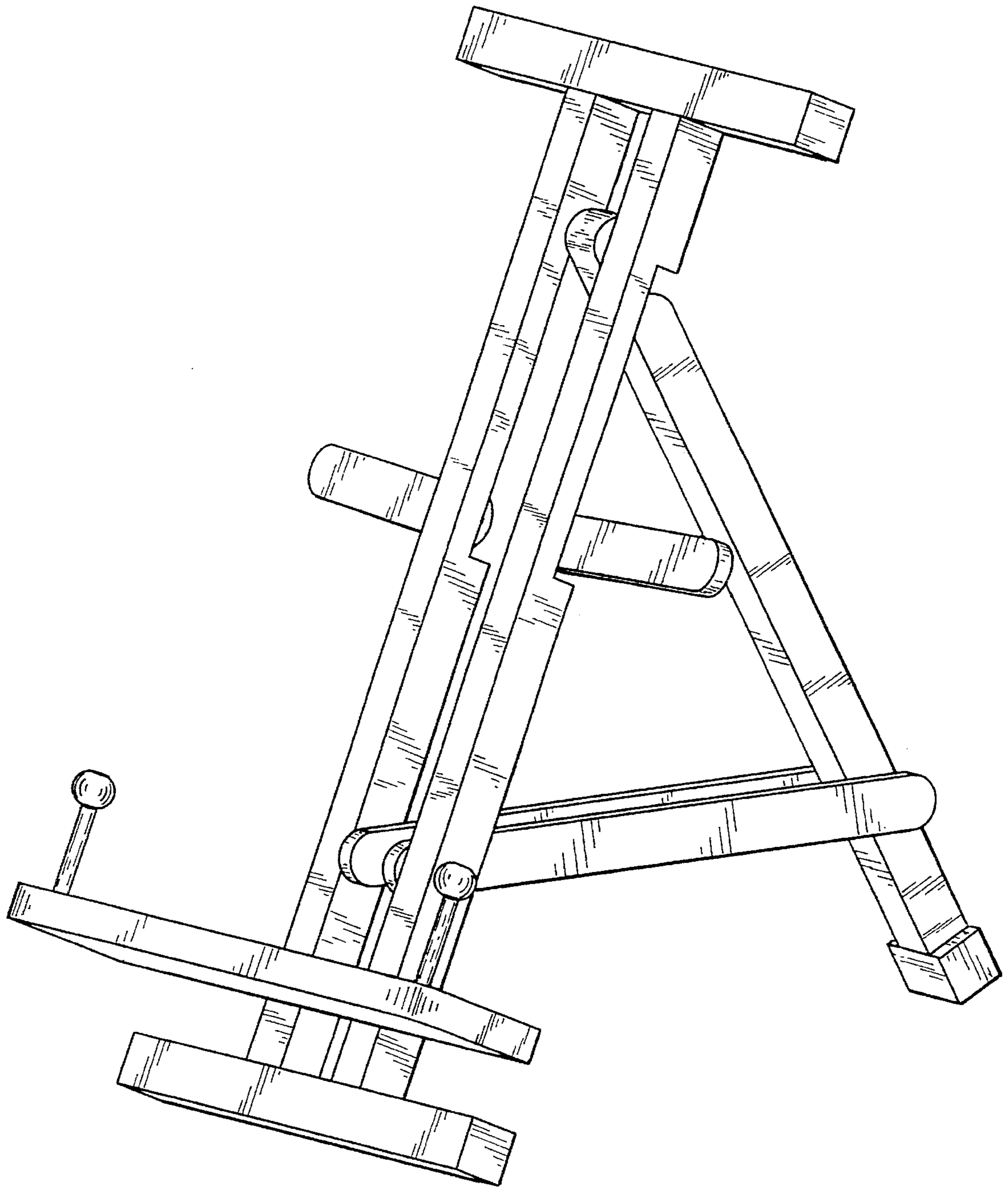


FIG. 1

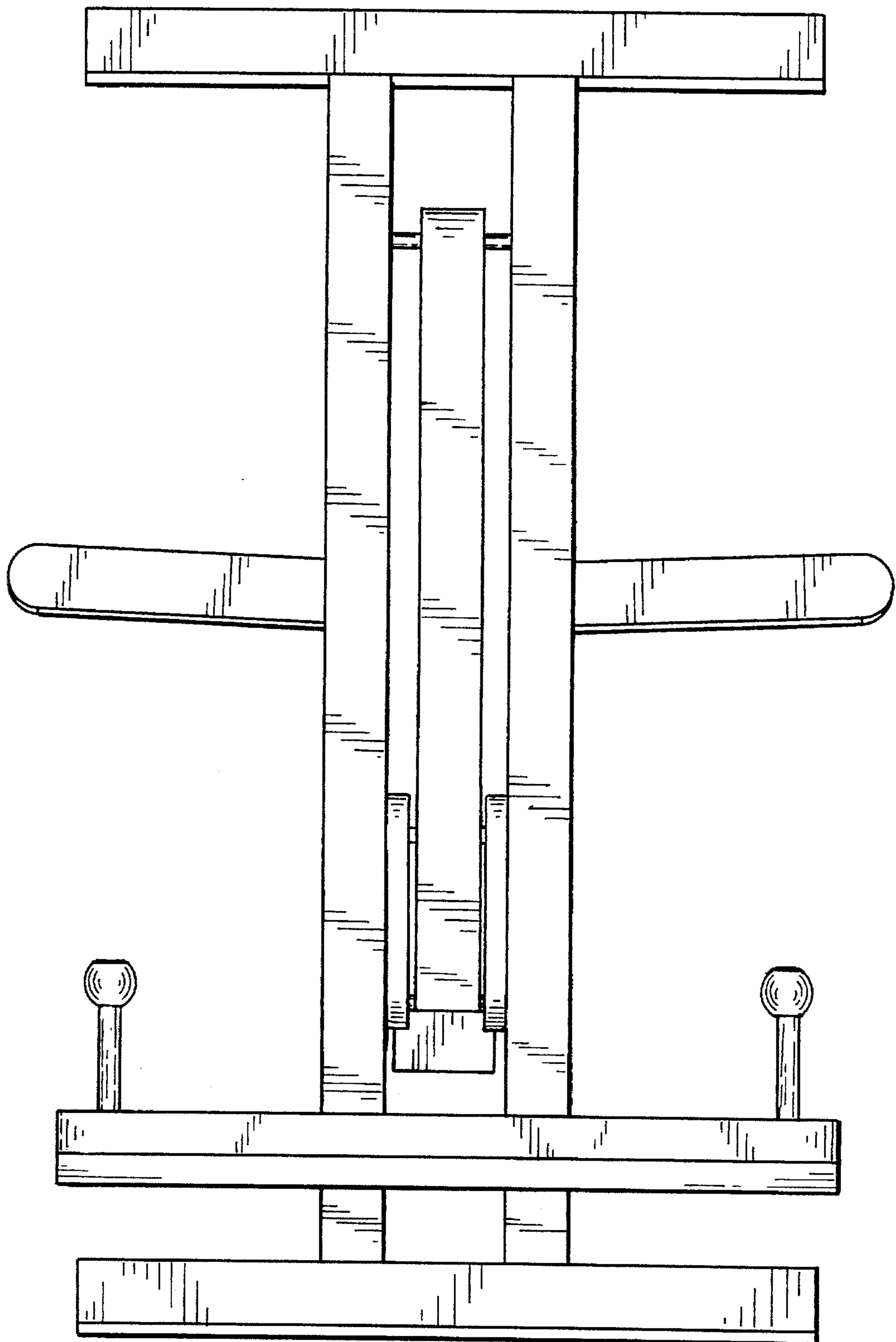


FIG. 2

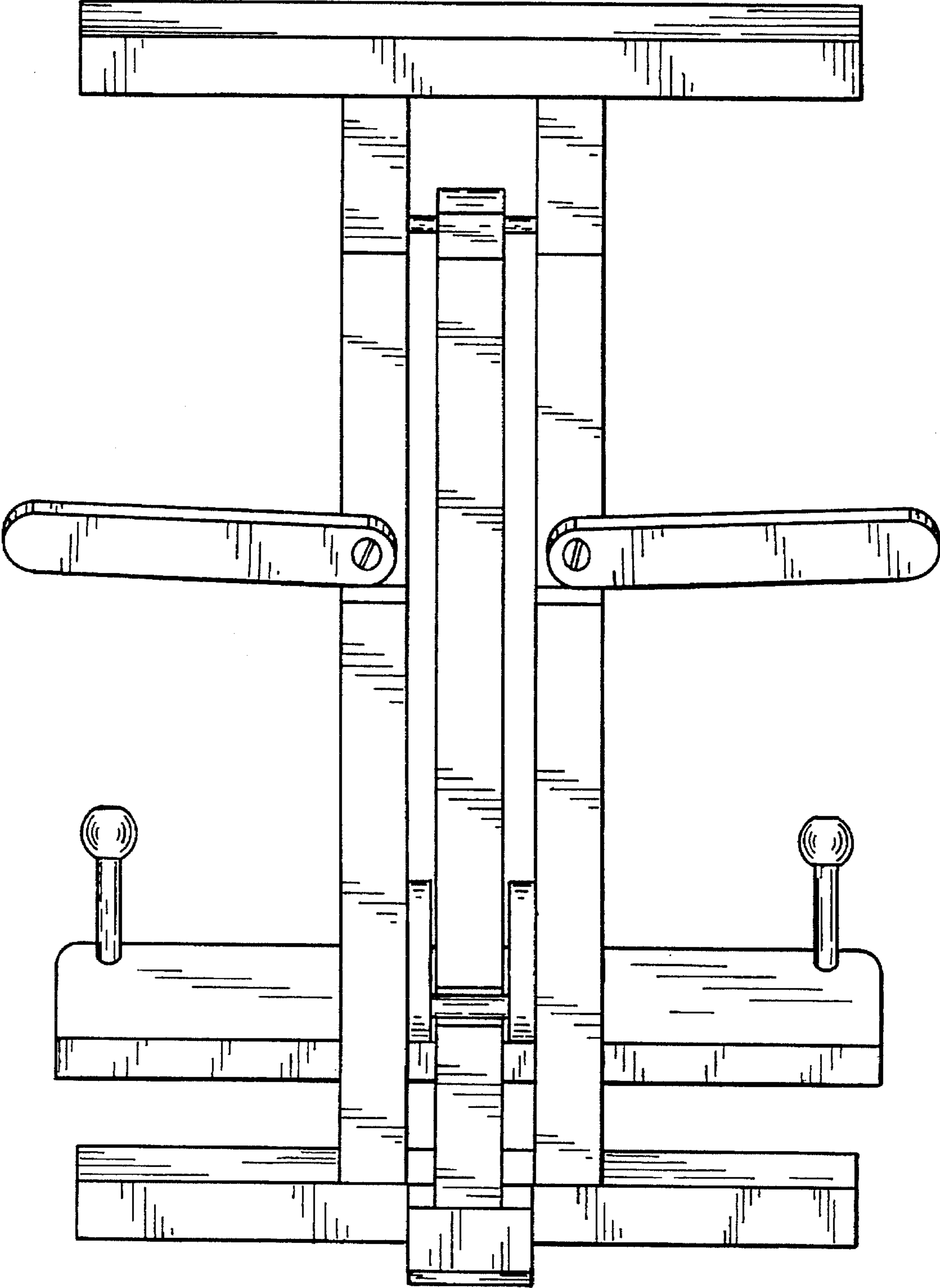


FIG. 3

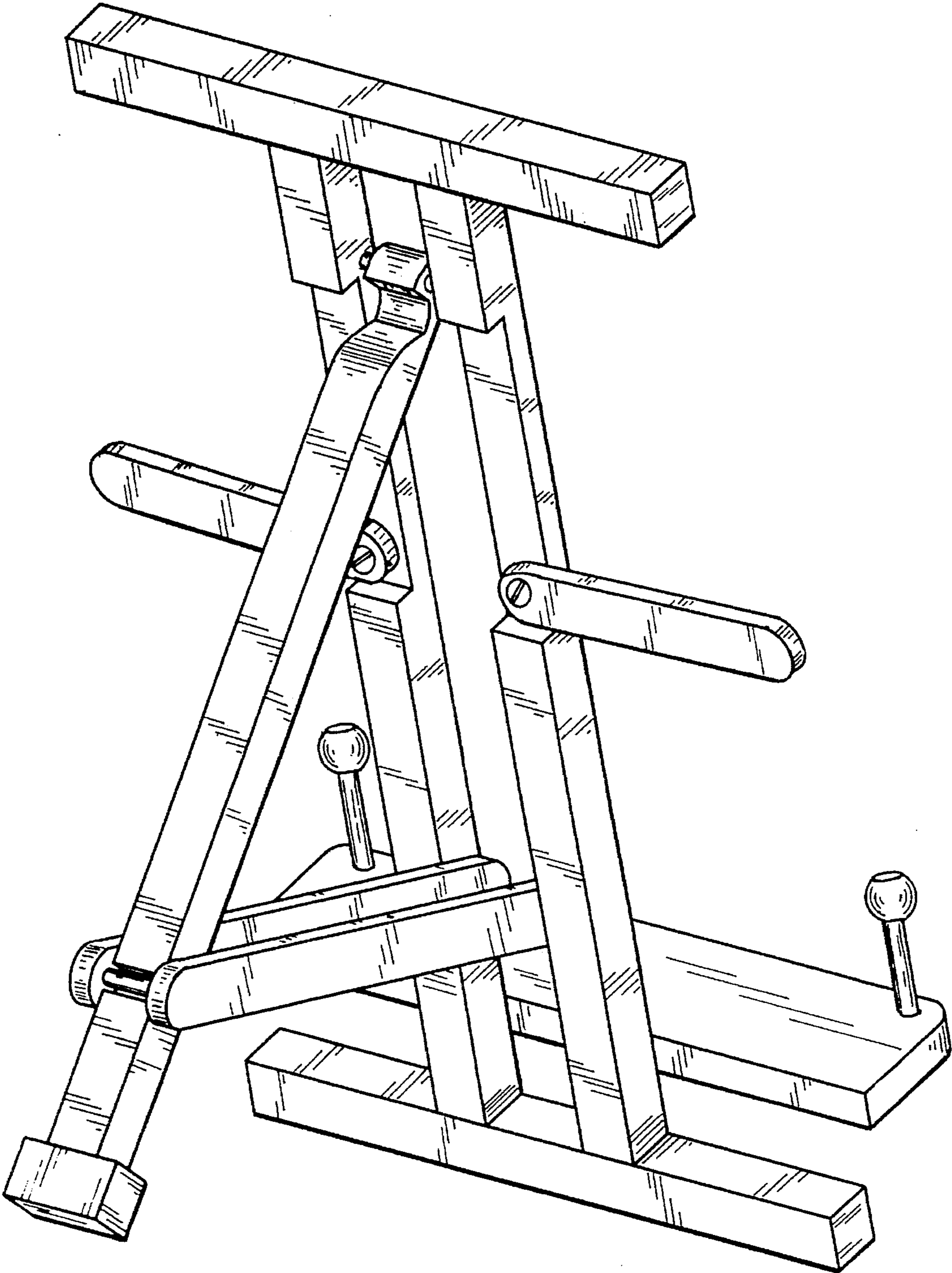


FIG. 4

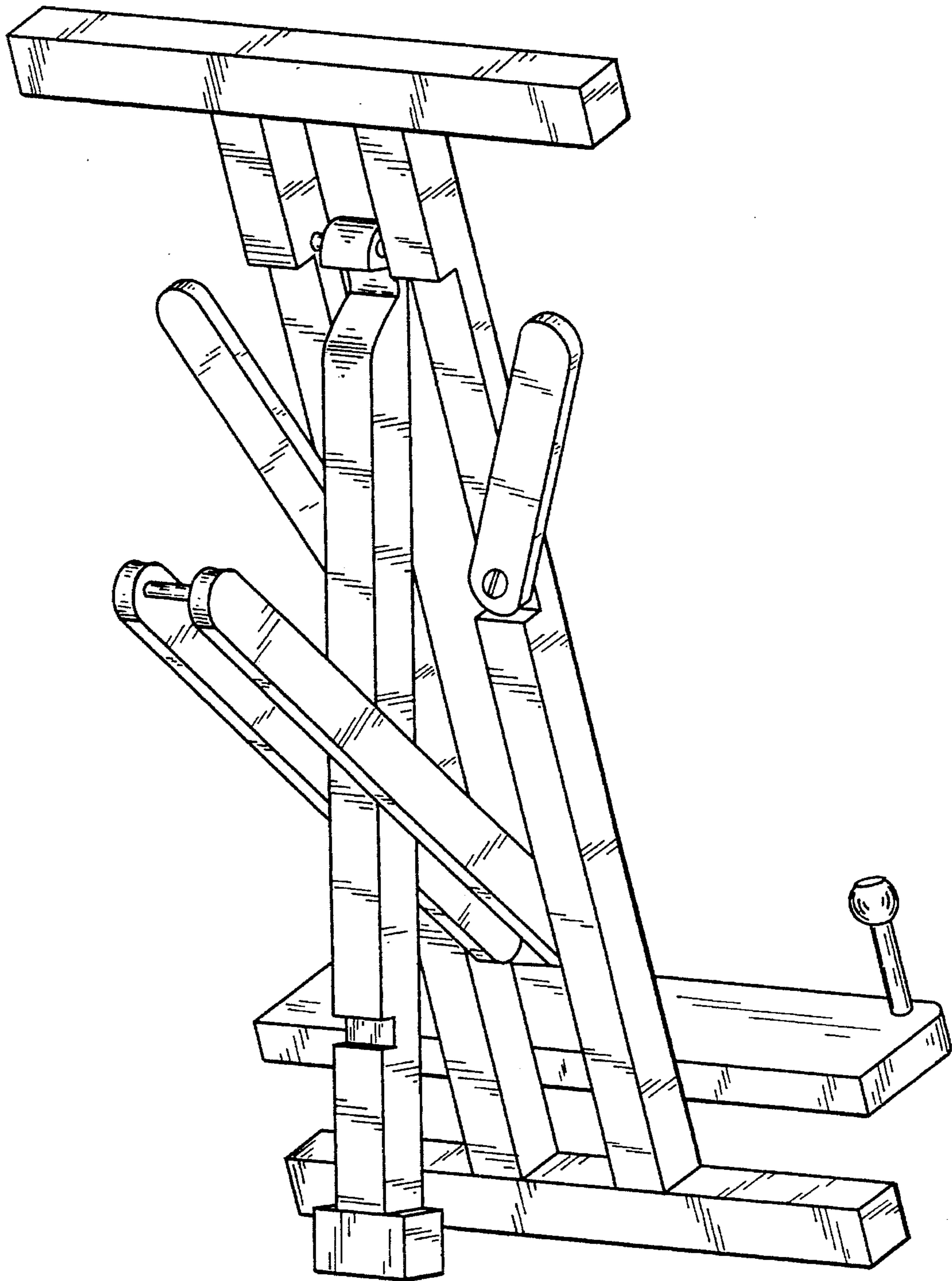


FIG. 5

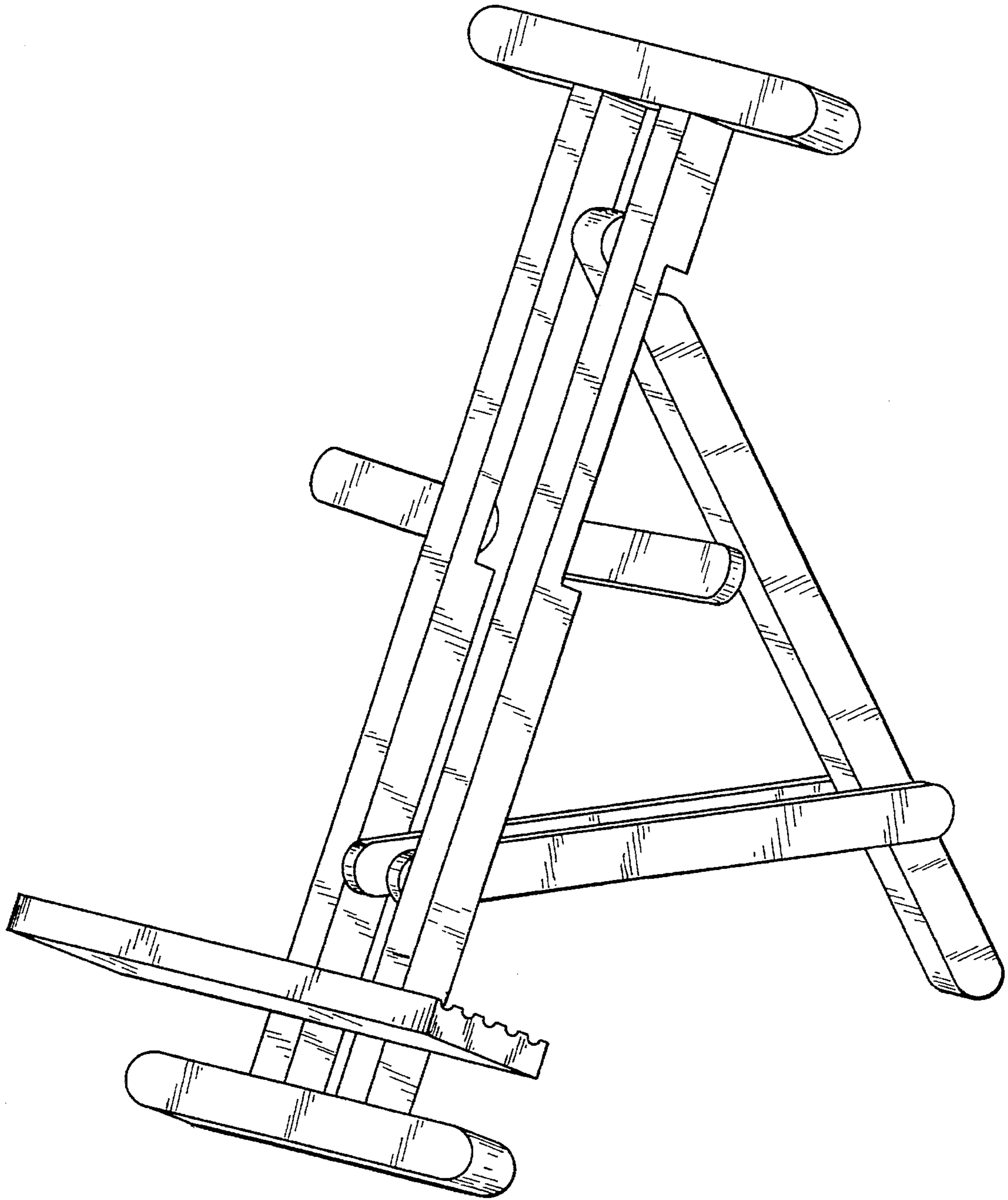


FIG. 6

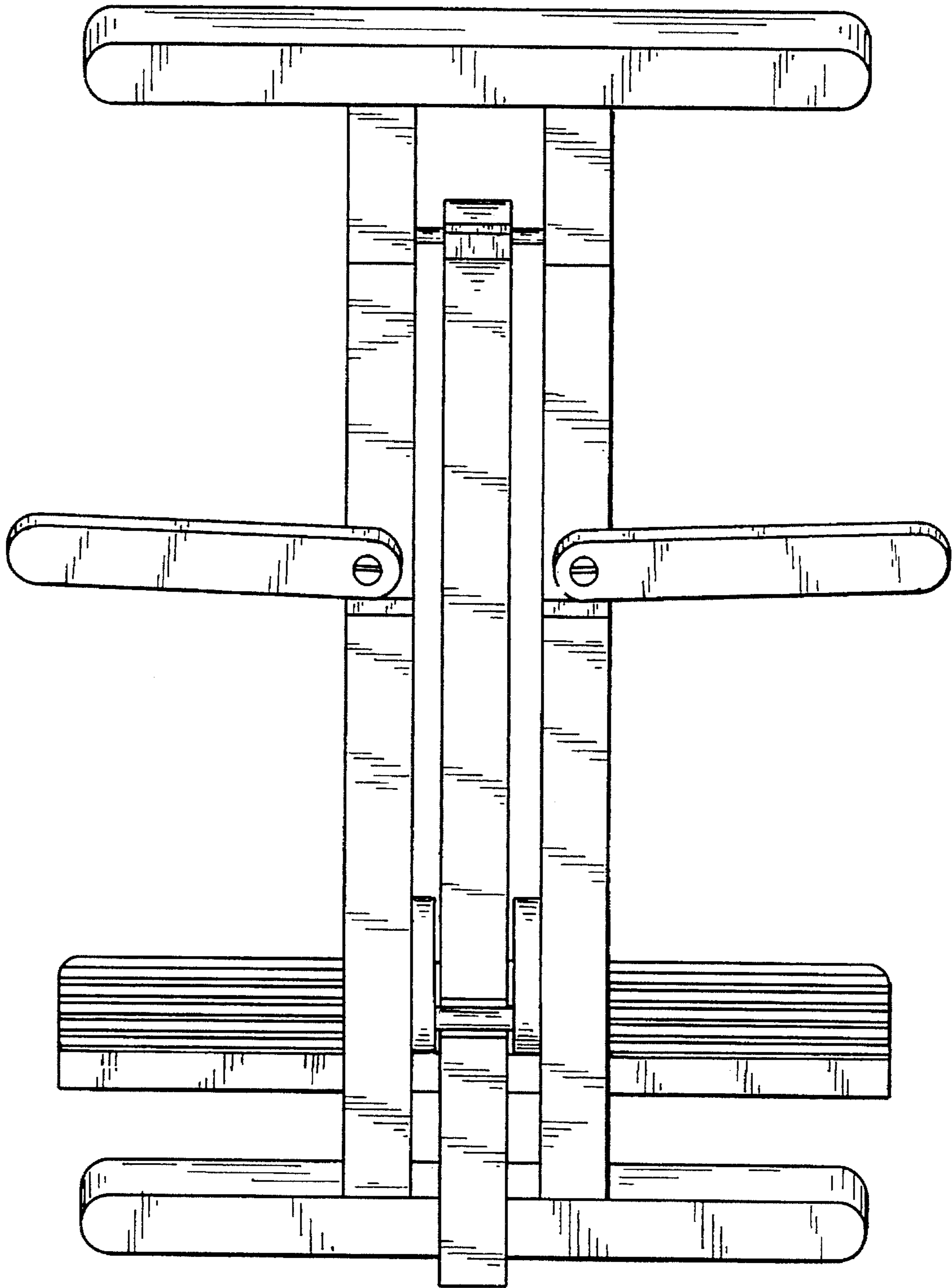


FIG. 7

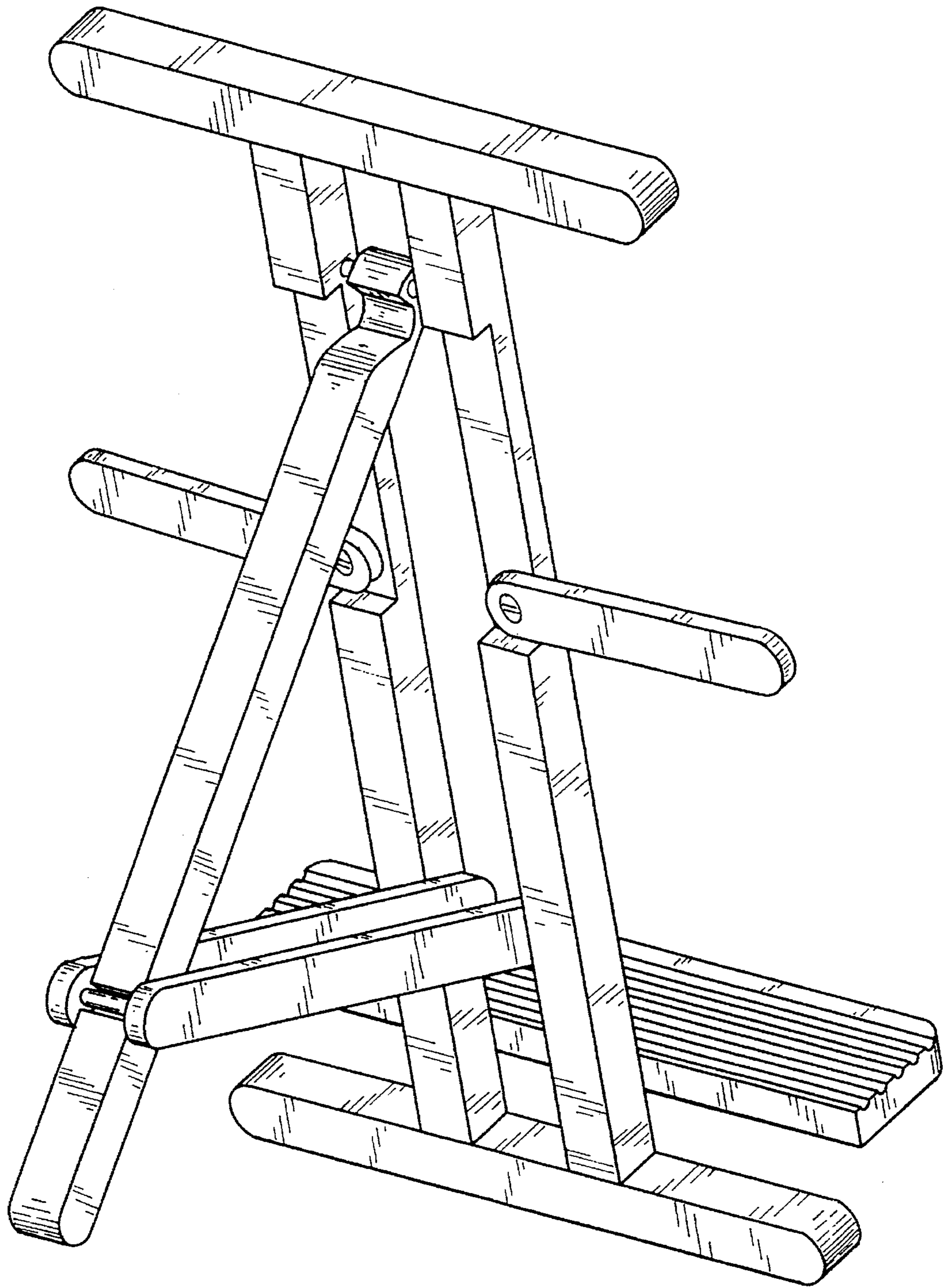


FIG. 8

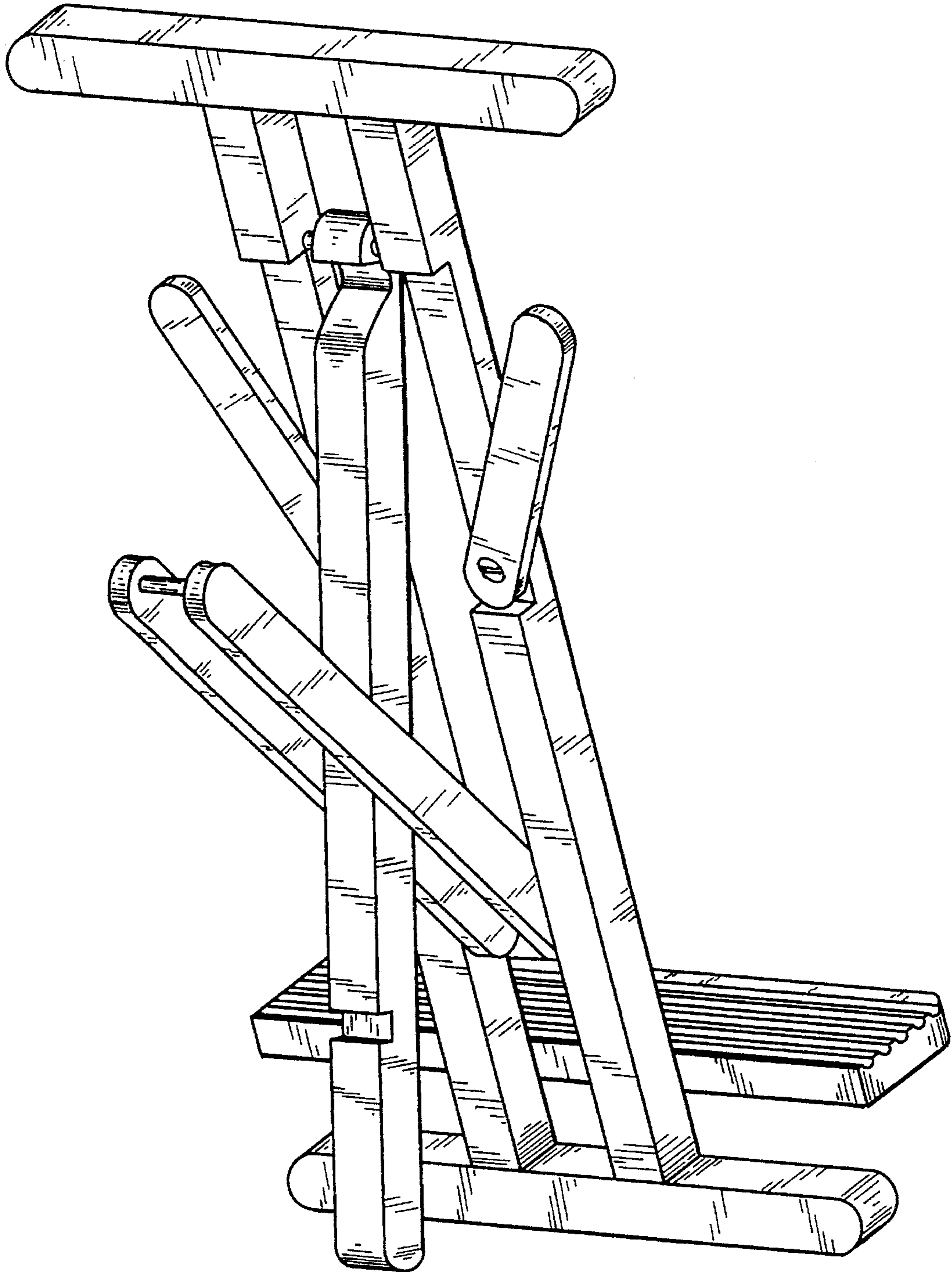


FIG. 9