



US00D367376S

United States Patent [19]

Mulder

[11] Patent Number: **Des. 367,376**

[45] Date of Patent: ****Feb. 27, 1996**

[54] RACK

4,700,849 10/1987 Wagner 211/71

[76] Inventor: **R. Bruce Mulder**, 2711 Ford St.,
Ames, Iowa 50010

Primary Examiner—Brian N. Vinson
Attorney, Agent, or Firm—Zarley, McKee, Thomte,
Voorhees & Sease

[**] Term: **14 Years**

[57] **CLAIM**

[21] Appl. No.: **19,945**

The ornamental design for a rack, as shown and described.

[22] Filed: **Mar. 15, 1994**

DESCRIPTION

[52] U.S. Cl. **D6/407; D6/396; D6/509**

[58] Field of Search D6/407, 626, 629-630,
D6/396, 449, 462; D7/701, 704, 708; 211/10,
13, 40, 42, 71-72, 74, 86, 134; 248/218.4,
219.2

FIG. 1 is a top, front and right side perspective view of a rack showing my new design;

FIG. 2 is a bottom plan view thereof;

FIG. 3 is a front elevational view thereof; and,

FIG. 4 is a right side elevational view thereof, the left side being a mirror image of that shown.

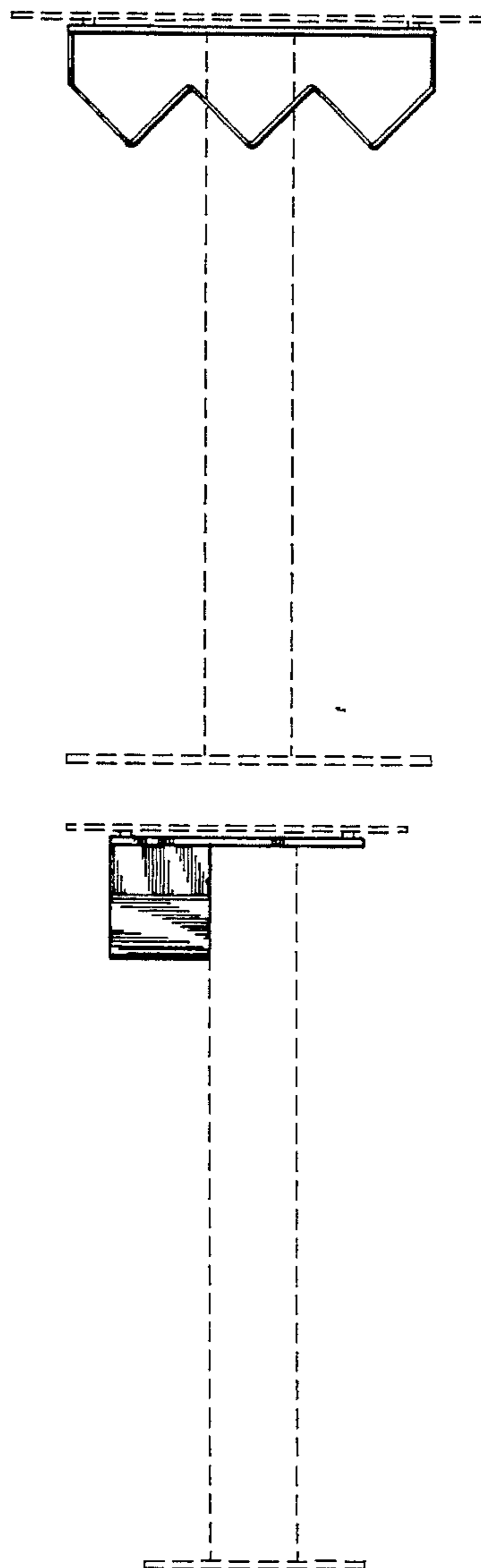
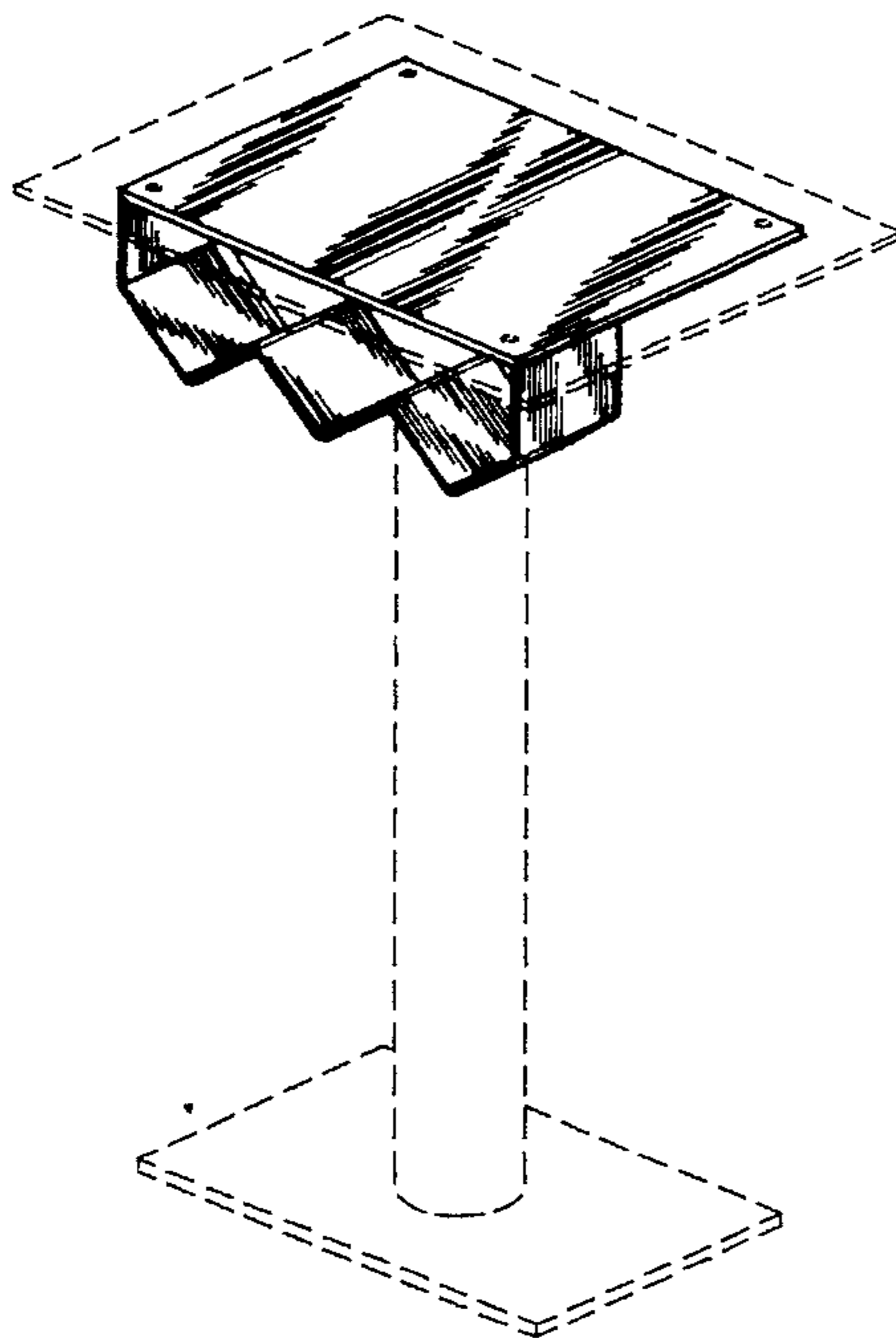
The broken-line disclosure is for illustrative purposes only and forms no part of the claimed design.

[56] **References Cited**

U.S. PATENT DOCUMENTS

- D. 239,244 3/1976 Lubge D7/701 X
- D. 251,152 2/1979 Winther D6/629

1 Claim, 1 Drawing Sheet



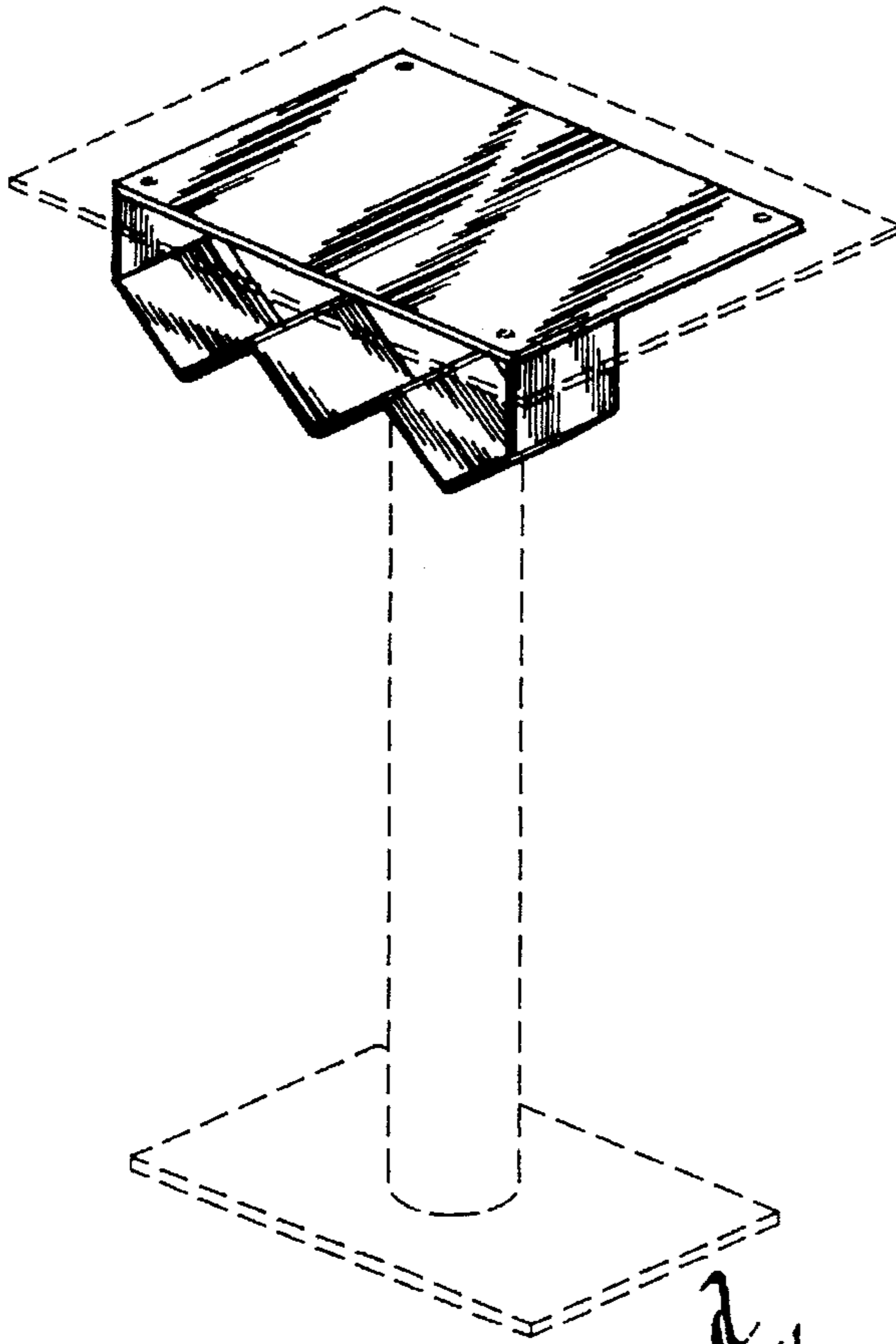


Fig. 1

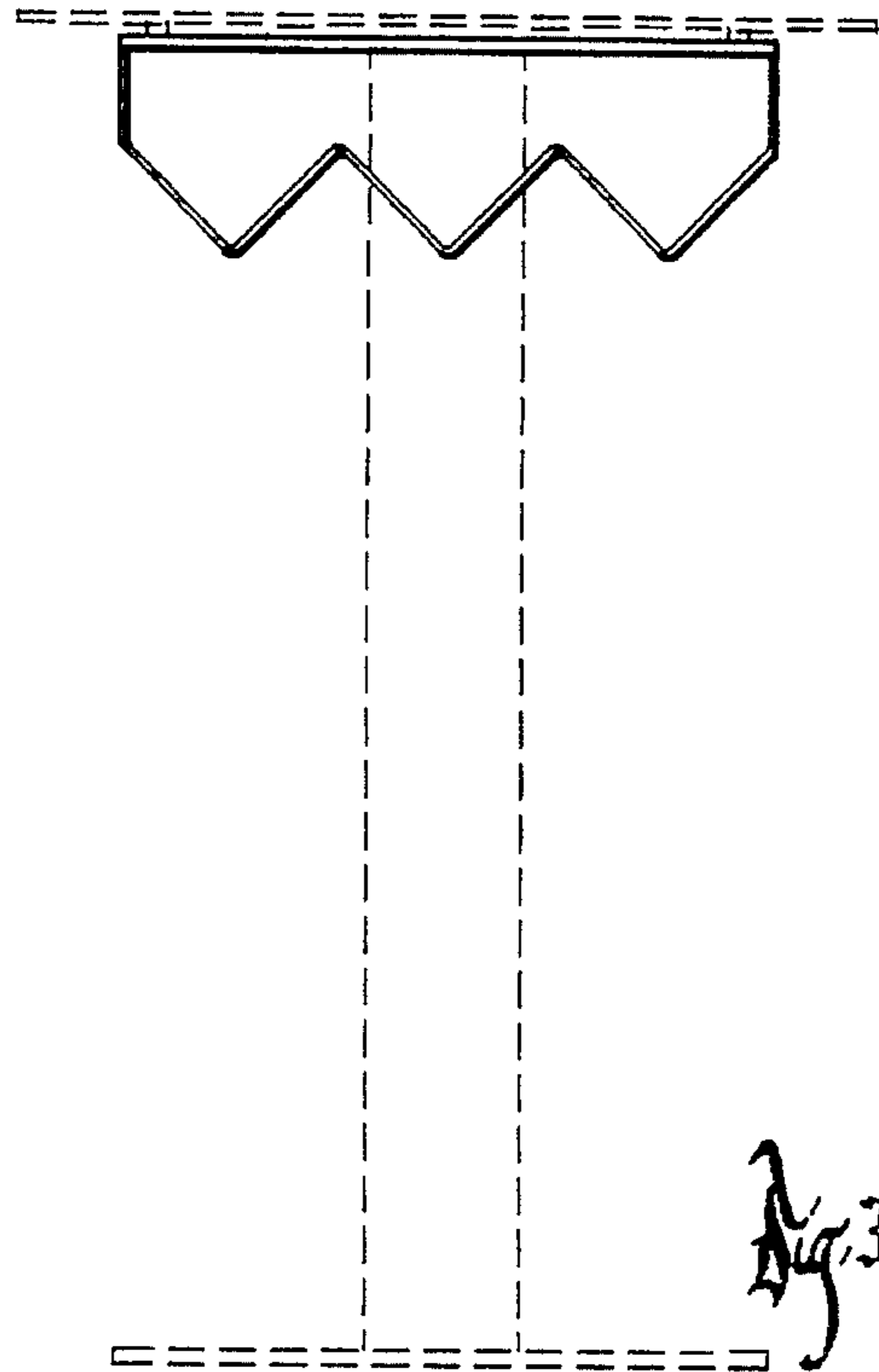


Fig. 3

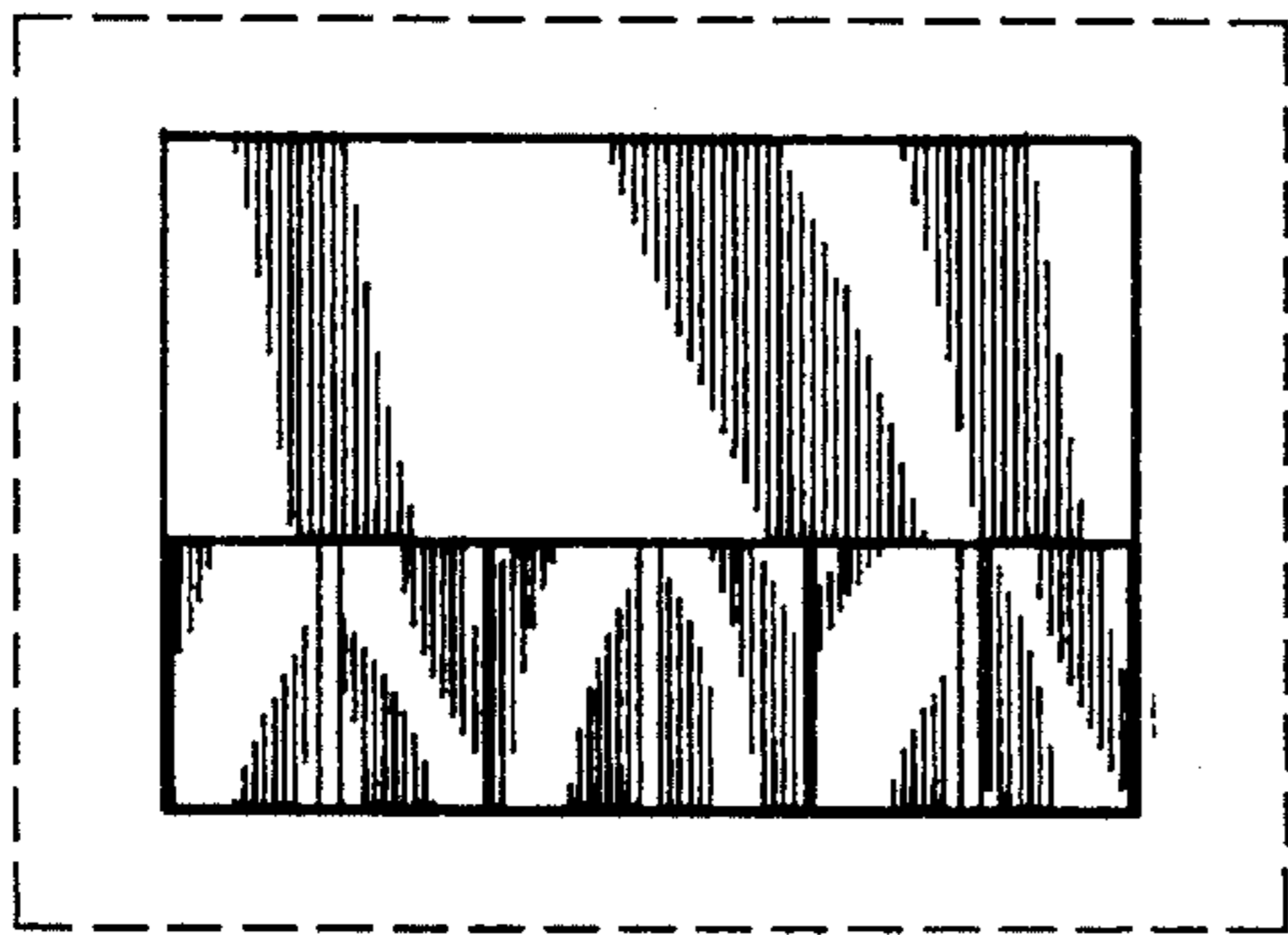


Fig. 2

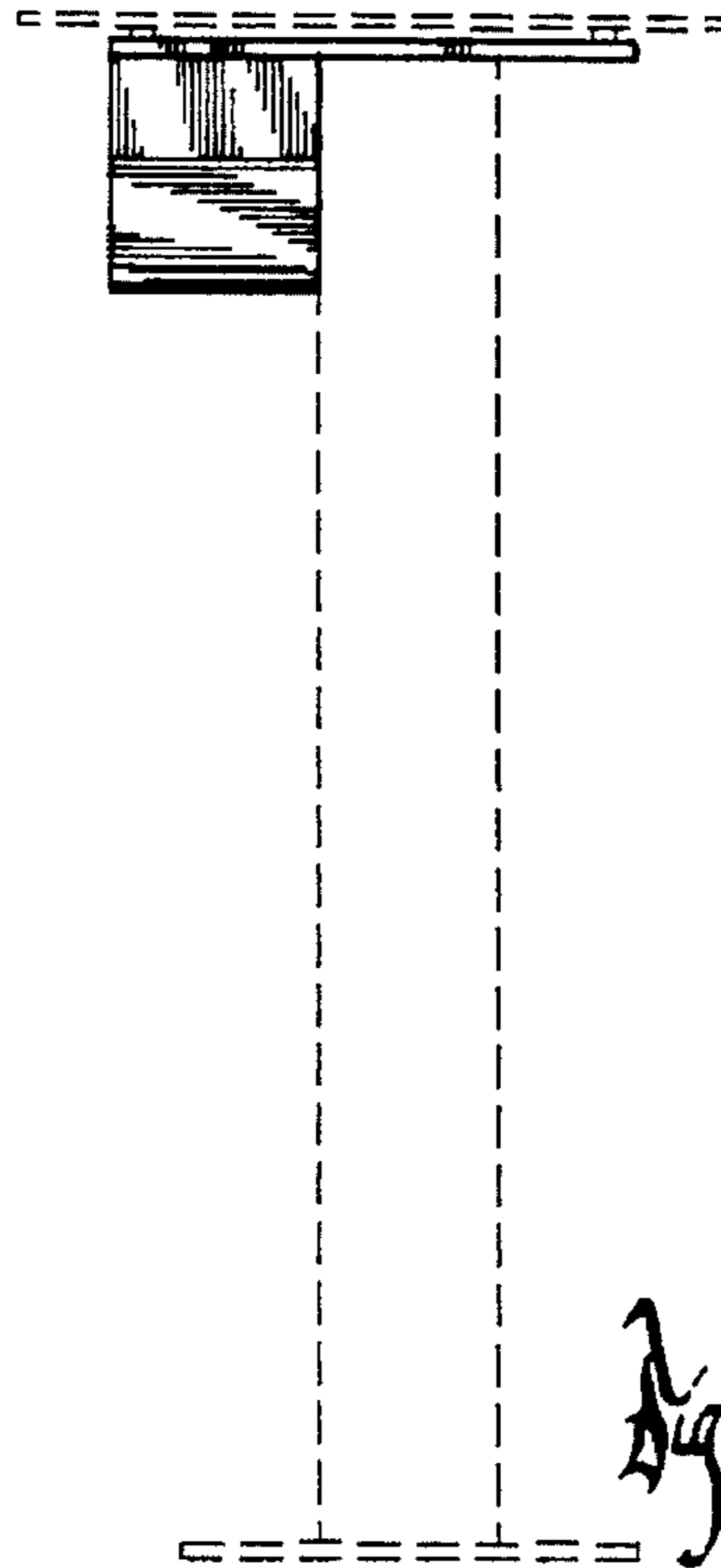


Fig. 4