



US00D367370S

United States Patent [19]

[11] Patent Number: **Des. 367,370**

Berry, Jr. et al.

[45] Date of Patent: ****Feb. 27, 1996**

[54] ACCENT CHAIR

- D. 263,902 4/1982 Mioni .
- D. 332,531 1/1993 Guion .
- D. 333,233 2/1993 Oke D6/502
- D. 352,616 11/1994 Meger D6/380

[75] Inventors: **Richard D. Berry, Jr.; David A. Clark**, both of Hickory, N.C.

[73] Assignee: **Ethan Allen Inc.**, Danbury, Conn.

Primary Examiner—Alan P. Douglas
Assistant Examiner—Gary D. Watson
Attorney, Agent, or Firm—Schweitzer Cornman & Gross

[**] Term: **14 Years**

[57] **CLAIM**

[21] Appl. No.: **32,400**

The ornamental design for an accent chair, as shown and described.

[22] Filed: **Dec. 19, 1994**

[52] U.S. Cl. **D6/374; D6/380**

DESCRIPTION

[58] Field of Search D6/334, 374, 375,
D6/379, 380, 500, 501, 502; 297/446

FIG. 1 is a top, front, and right side perspective view of accent chair;

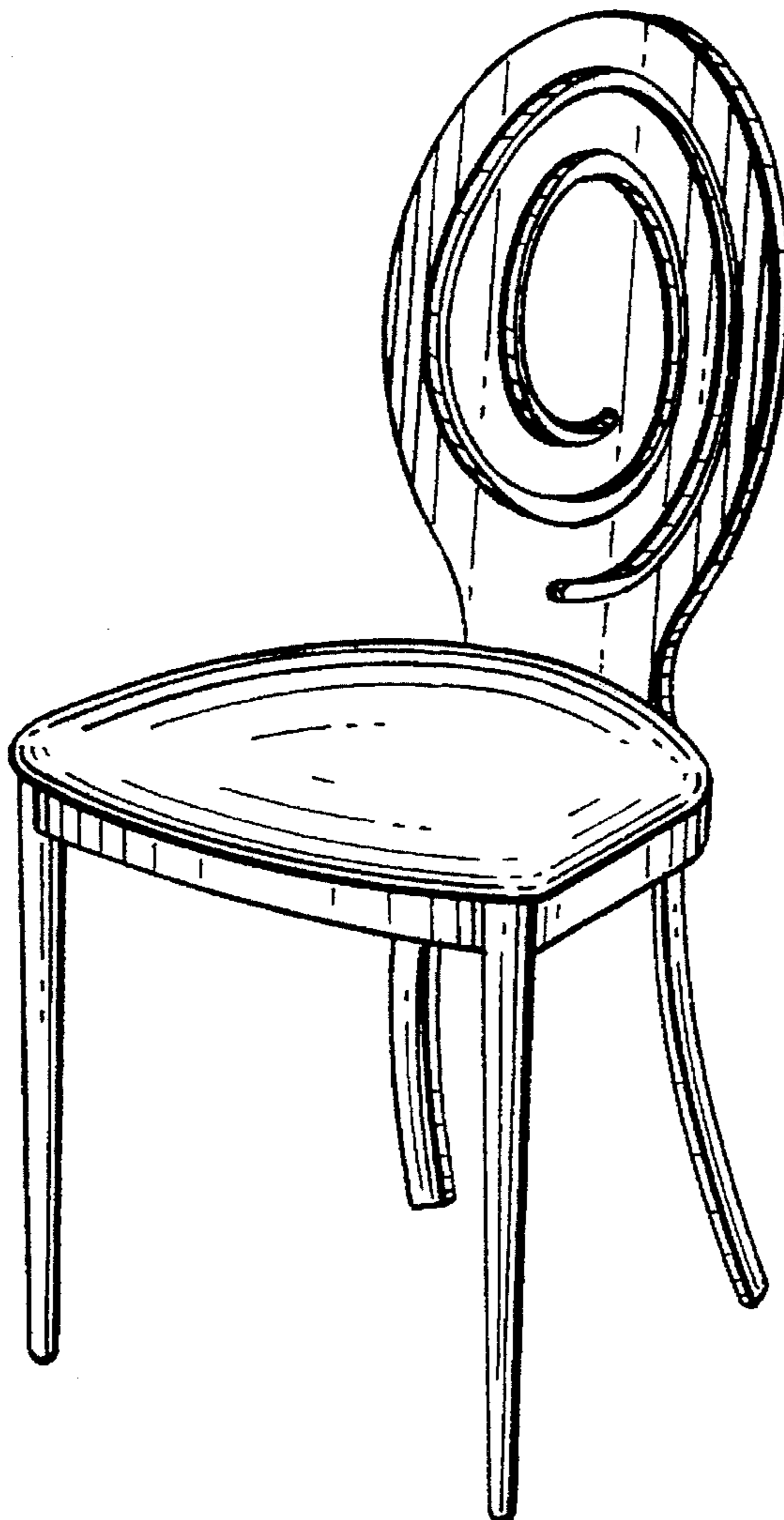
[56] **References Cited**

U.S. PATENT DOCUMENTS

- D. 101,404 9/1936 Salomon D6/380
- D. 233,102 10/1974 Watanabe D6/380
- D. 234,241 2/1975 Onoguchi D6/380
- D. 244,897 7/1977 Rocchia .
- D. 244,898 7/1977 Rocchia .

- FIG. 2 is a front view thereof;
- FIG. 3 is a top plan view thereof;
- FIG. 4 is a left side view thereof;
- FIG. 5 is a rear view thereof; and,
- FIG. 6 is a bottom plan view thereof.

1 Claim, 2 Drawing Sheets



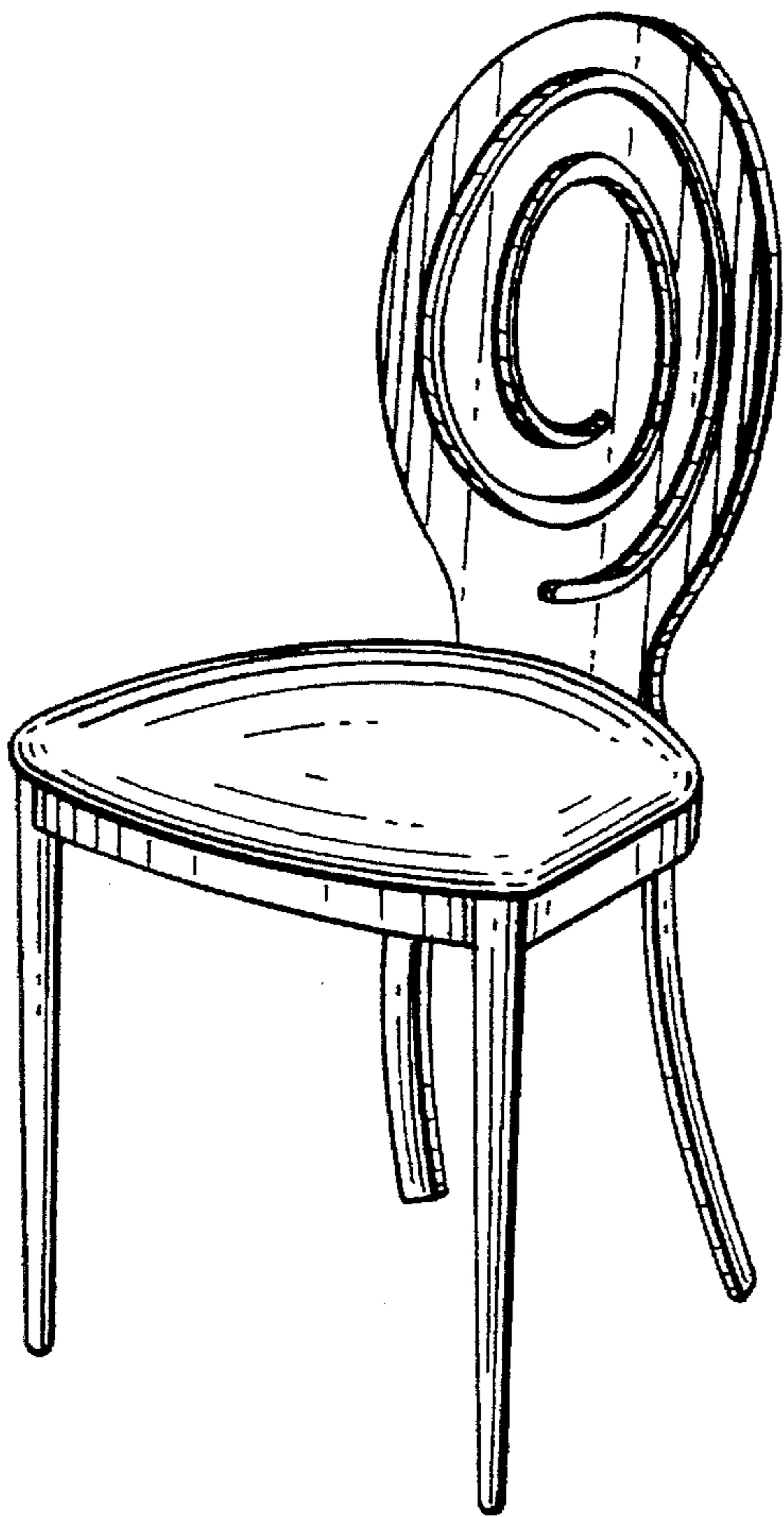
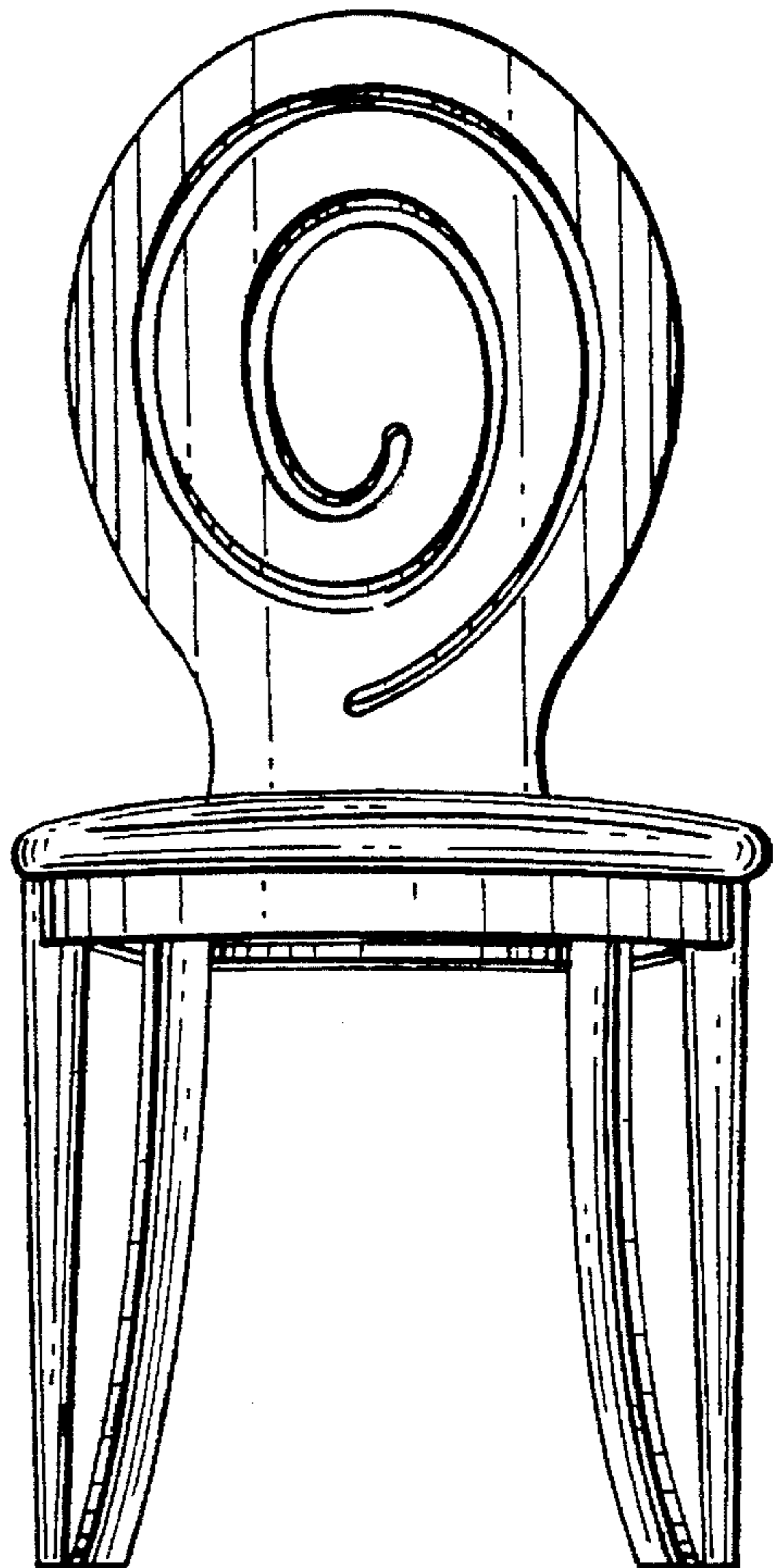


FIG. 1

FIG. 2



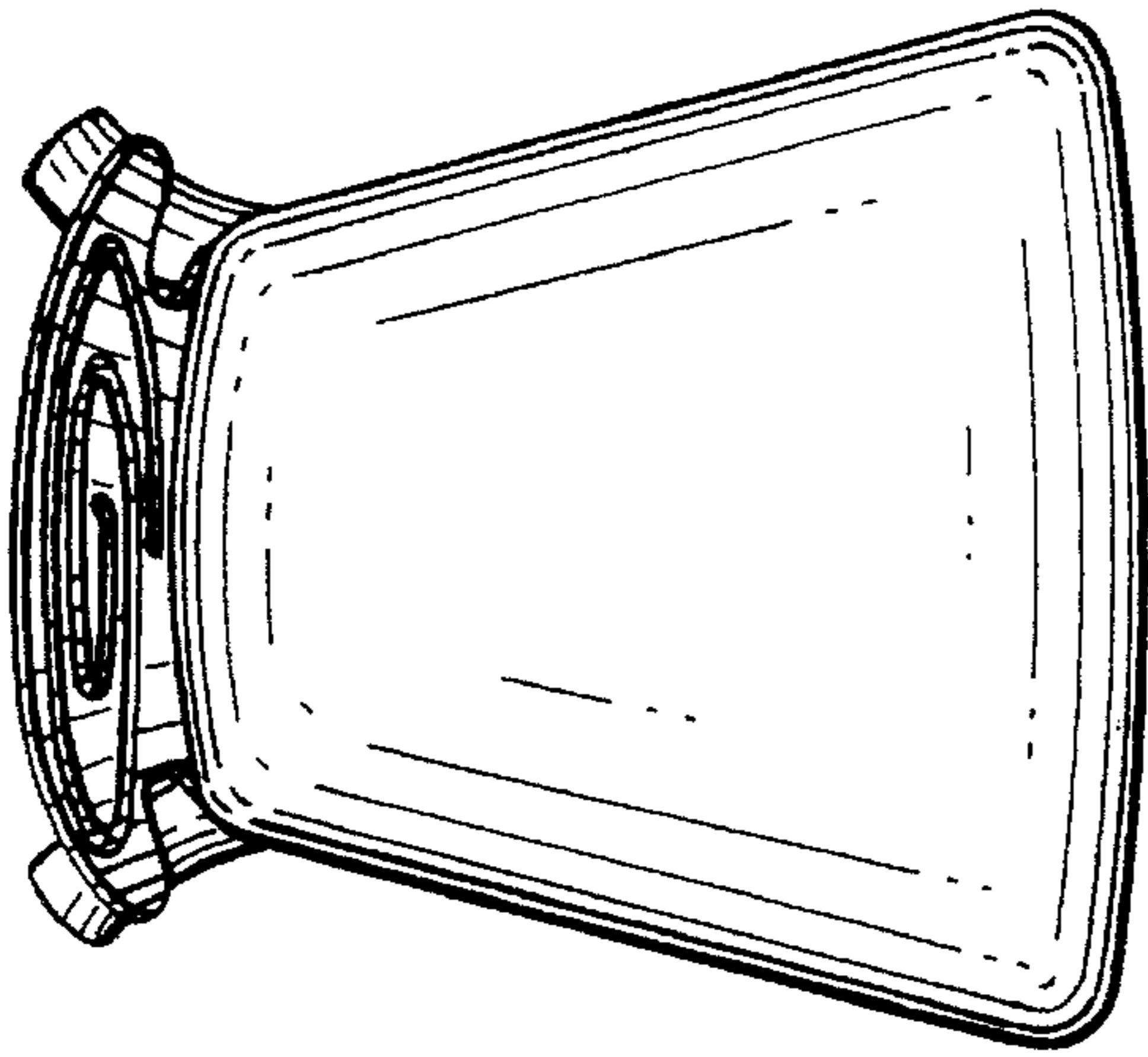


FIG. 3

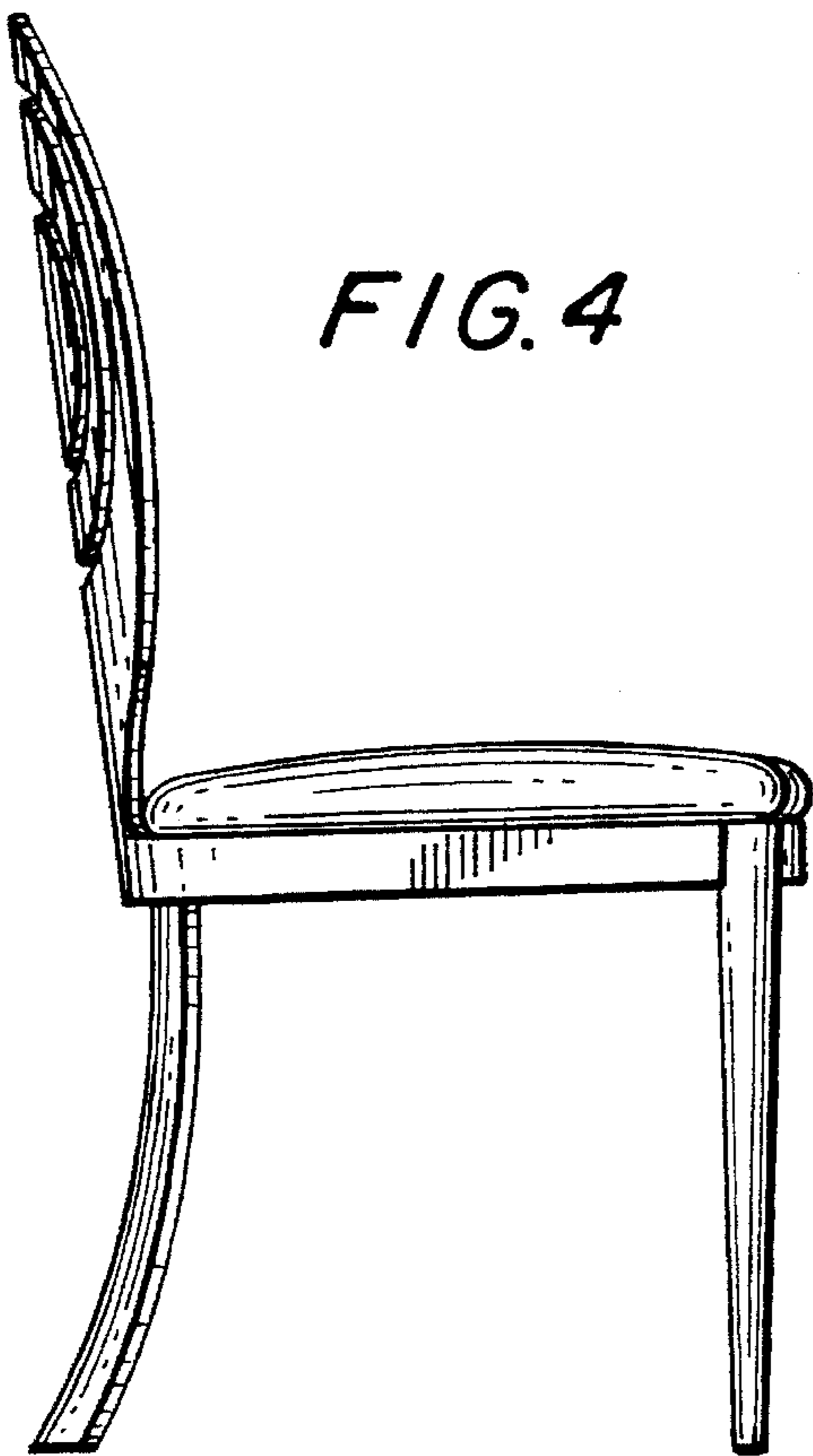


FIG. 4

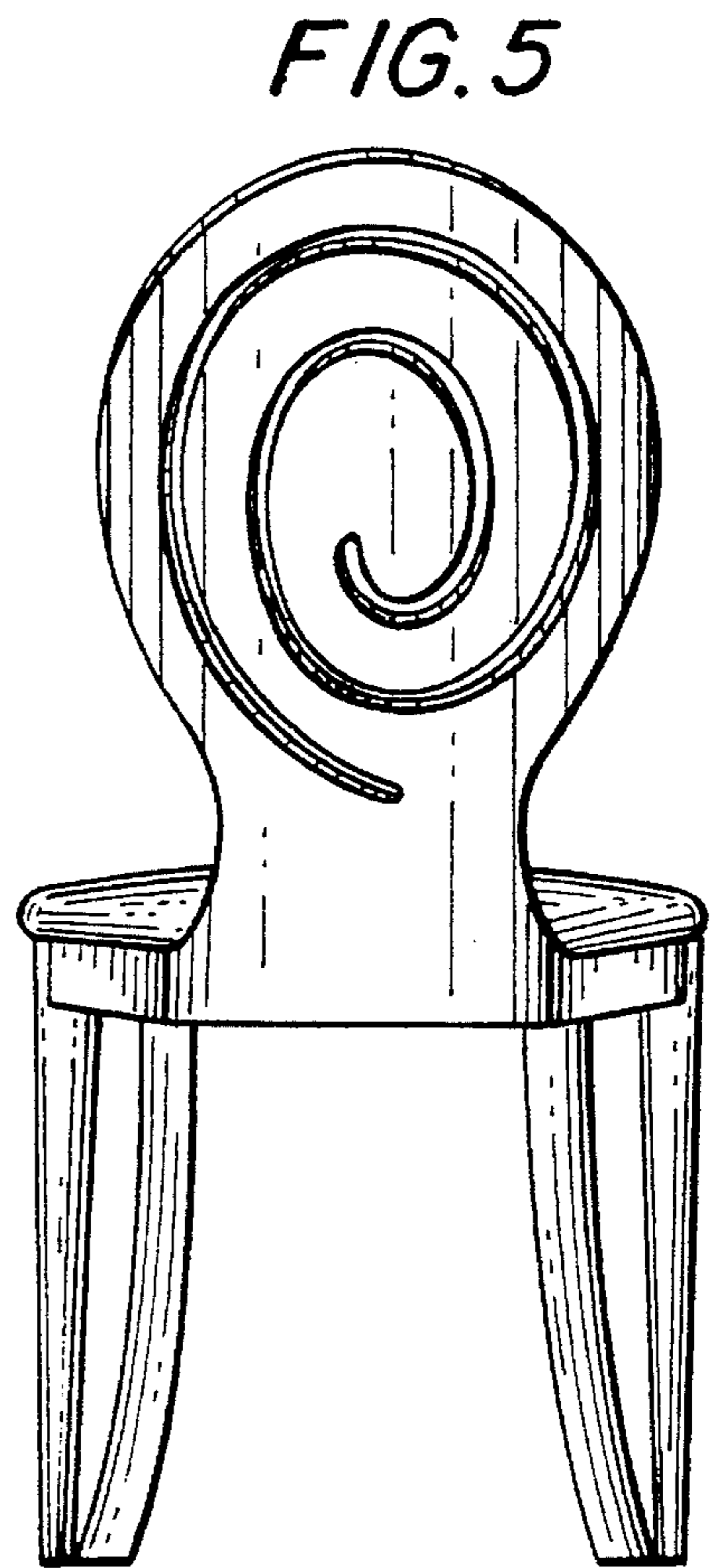


FIG. 5

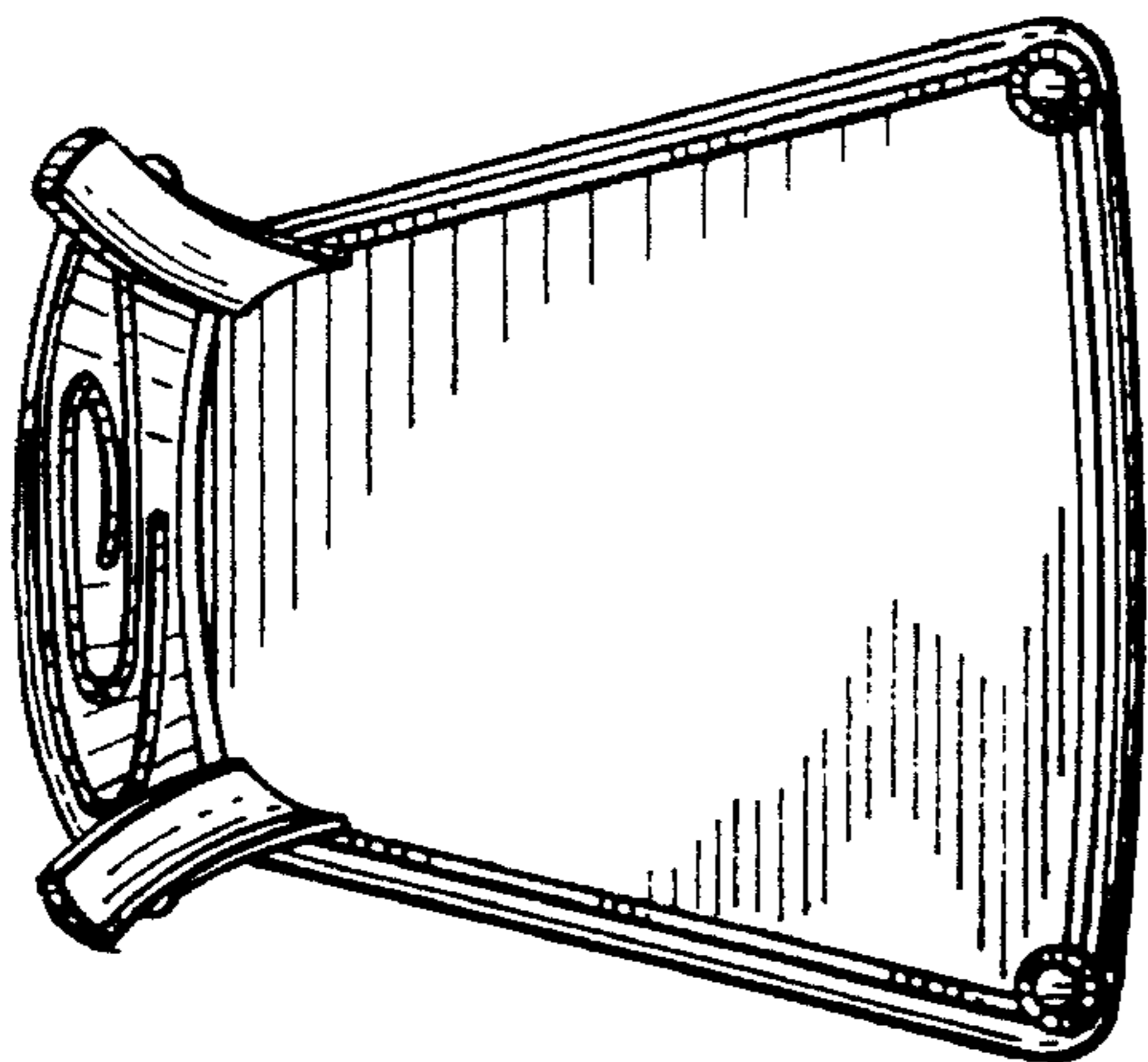


FIG. 6