



US00D367368S

United States Patent [19]

[11] **Patent Number: Des. 367,368**

Drane

[45] **Date of Patent: **Feb. 27, 1996**

[54] **BOOSTER SEAT WITH TRAY**

4,798,412 1/1989 Kohus et al. 297/256.11
4,854,638 8/1989 Marcus et al. 297/256.11

[76] Inventor: **Mark R. Drane**, 4442 Brook Creek Cove, Memphis, Tenn. 38141

Primary Examiner—Martie Thompson

[**] Term: **14 Years**

[57] **CLAIM**

[21] Appl. No.: **37,049**

The ornamental design for a booster seat with tray, as shown and described.

[22] Filed: **Apr. 3, 1995**

DESCRIPTION

[52] U.S. Cl. **D6/339; D6/333**

[58] **Field of Search** D6/331, 333, 335, D6/339, 491; 297/216.1, 216.11, 219.12, 250.1-256, 184.13, 148-153; 5/414-416; D12/129

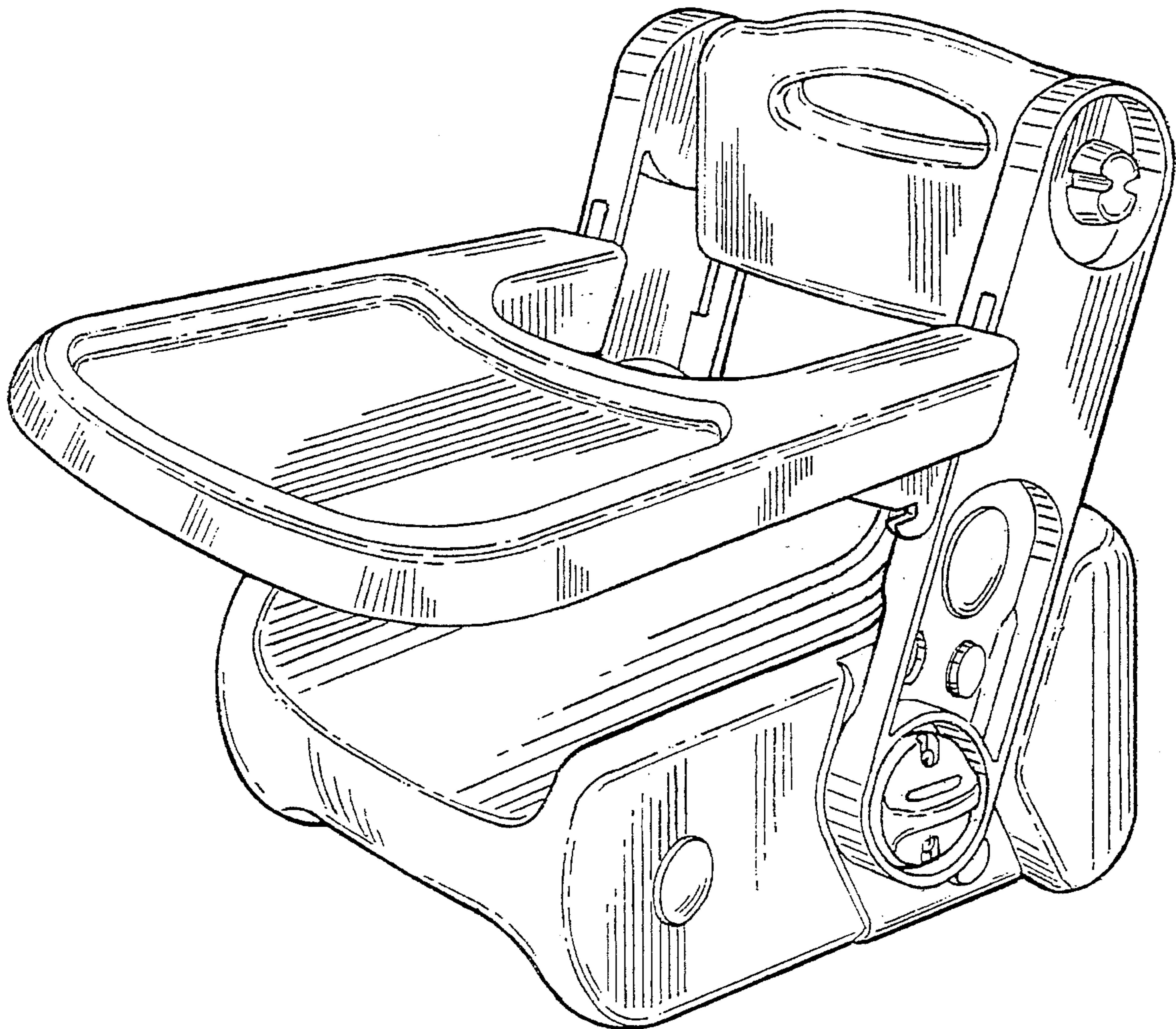
FIG. 1 is a right front perspective view of a booster seat with tray showing my new design;
FIG. 2 is a front elevational view thereof;
FIG. 3 is a rear elevational view thereof;
FIG. 4 is a top plan view thereof;
FIG. 5 is a bottom plan view thereof;
FIG. 6 is a right side elevational view; the left side being a mirror image thereof; and,
FIG. 7 is a right front perspective view of the design shown in FIGS. 1 through 6 in a folded configuration.

[56] **References Cited**

U.S. PATENT DOCUMENTS

D. 327,175	6/1992	Mariol	D6/333 X
D. 330,842	11/1992	Meeker et al.	D6/333
D. 334,848	4/1993	Mariol	D6/333
D. 356,689	3/1995	Mariol	D6/333
4,175,786	11/1979	Schaller et al.	297/254

1 Claim, 7 Drawing Sheets



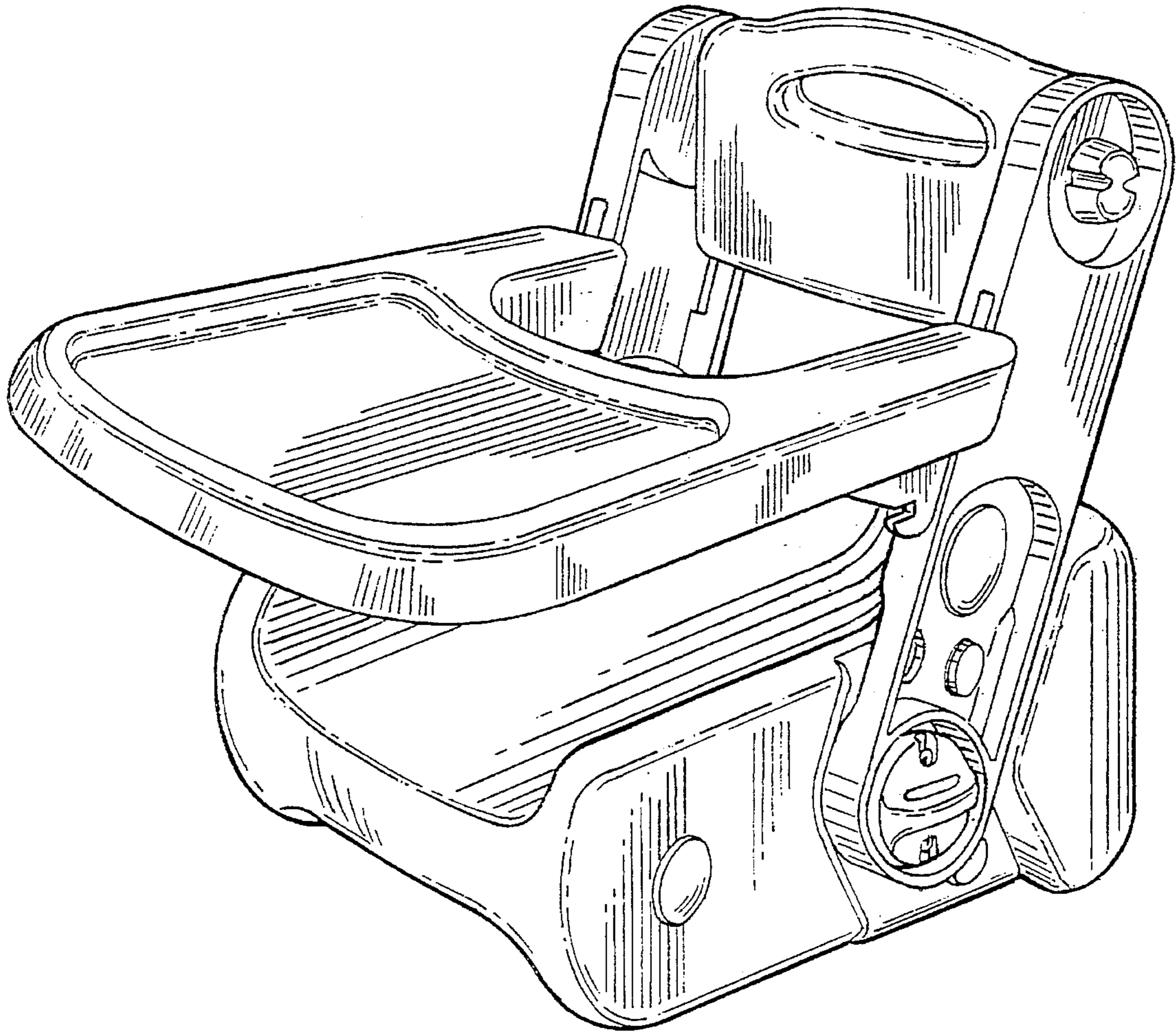


FIG. 1

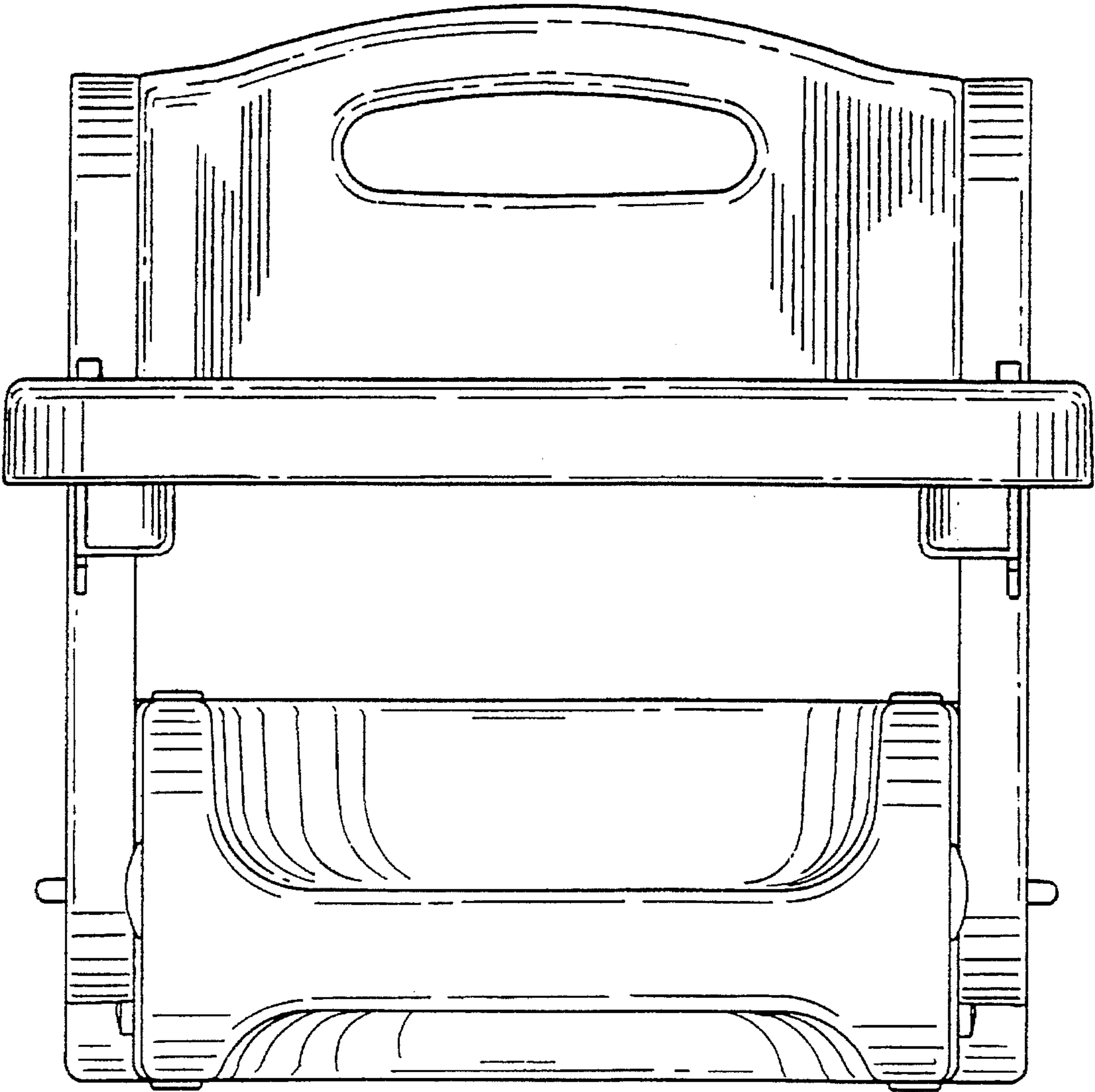


FIG. 2

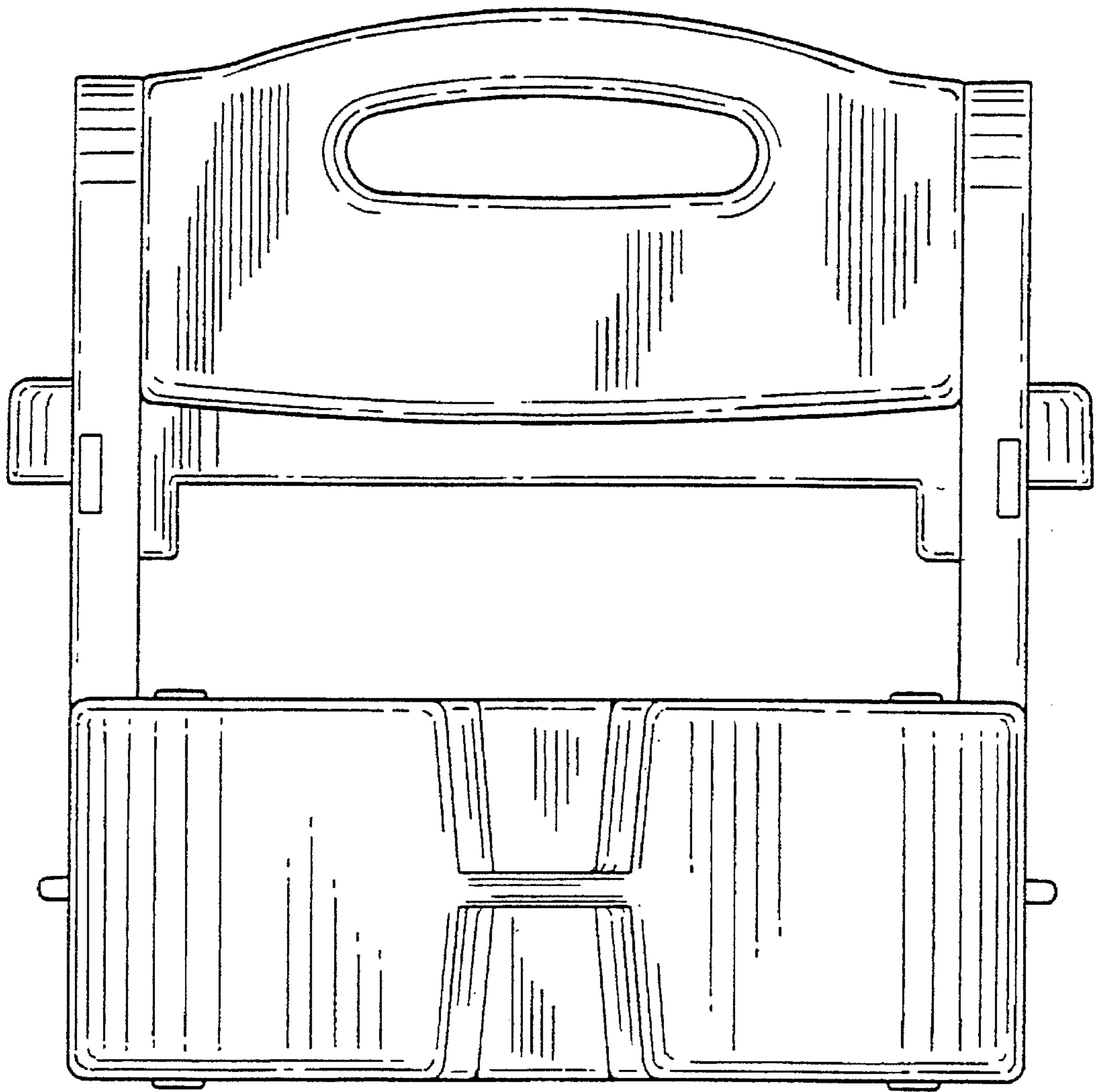


FIG. 3

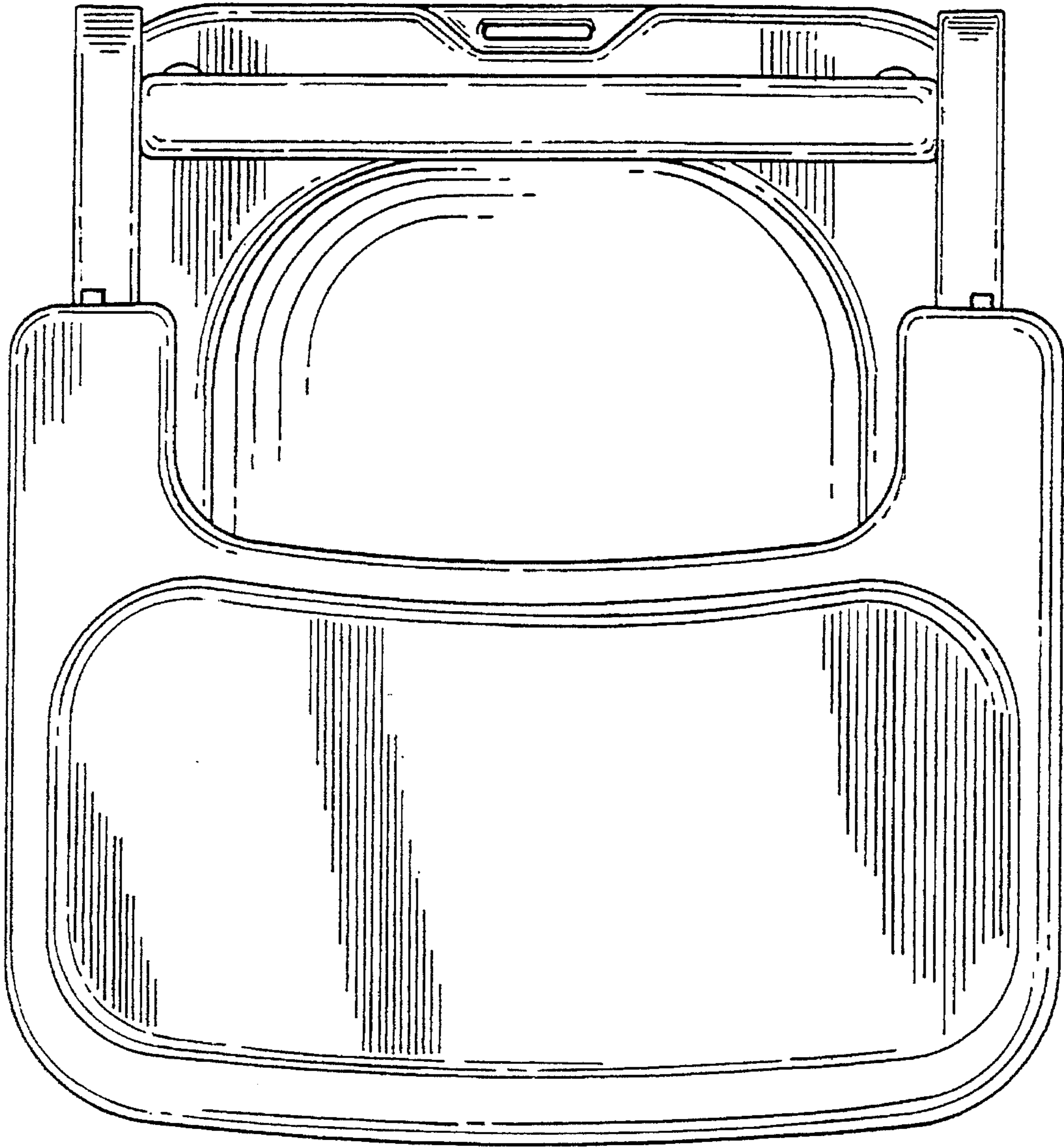


FIG. 4

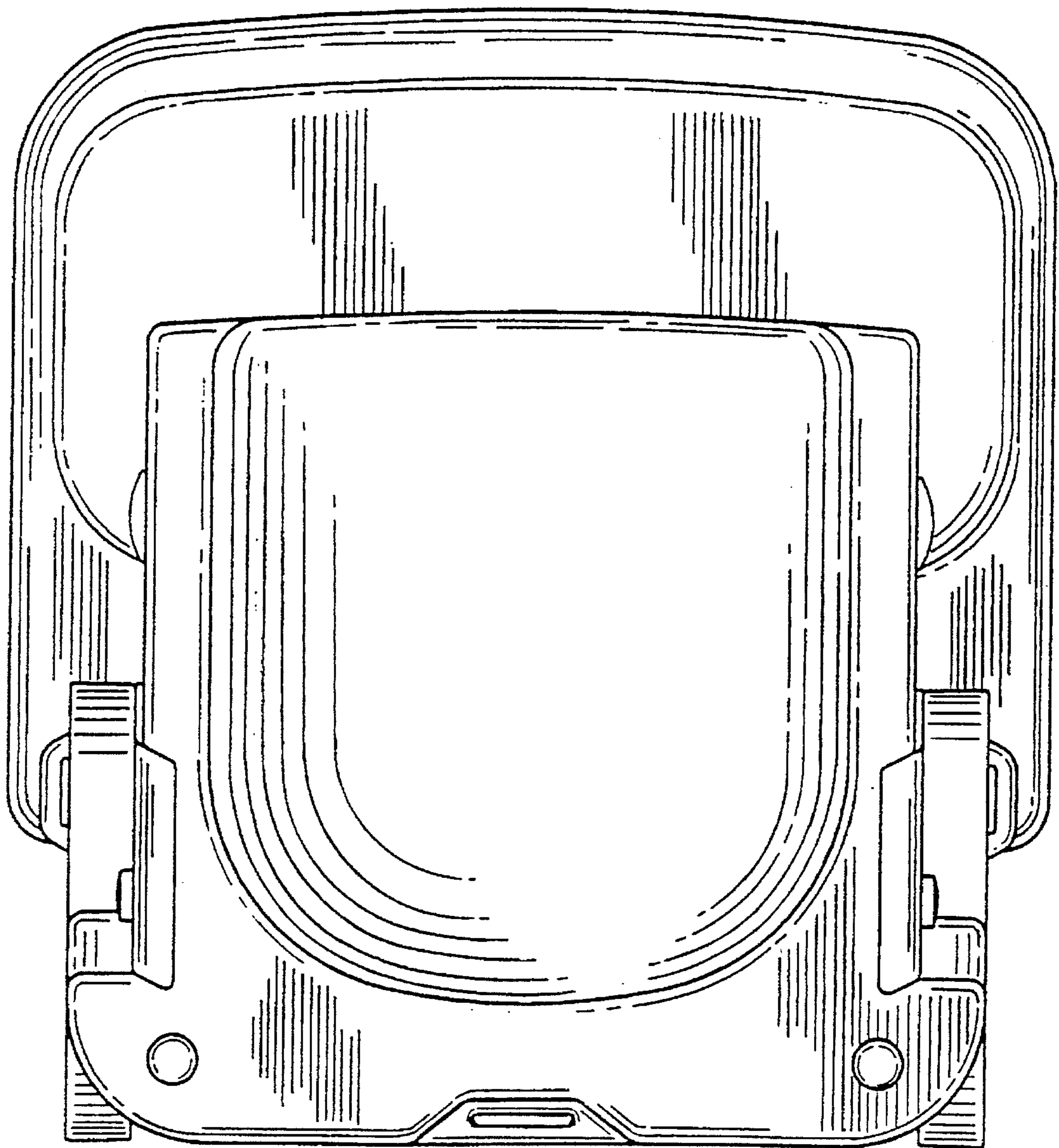


FIG. 5

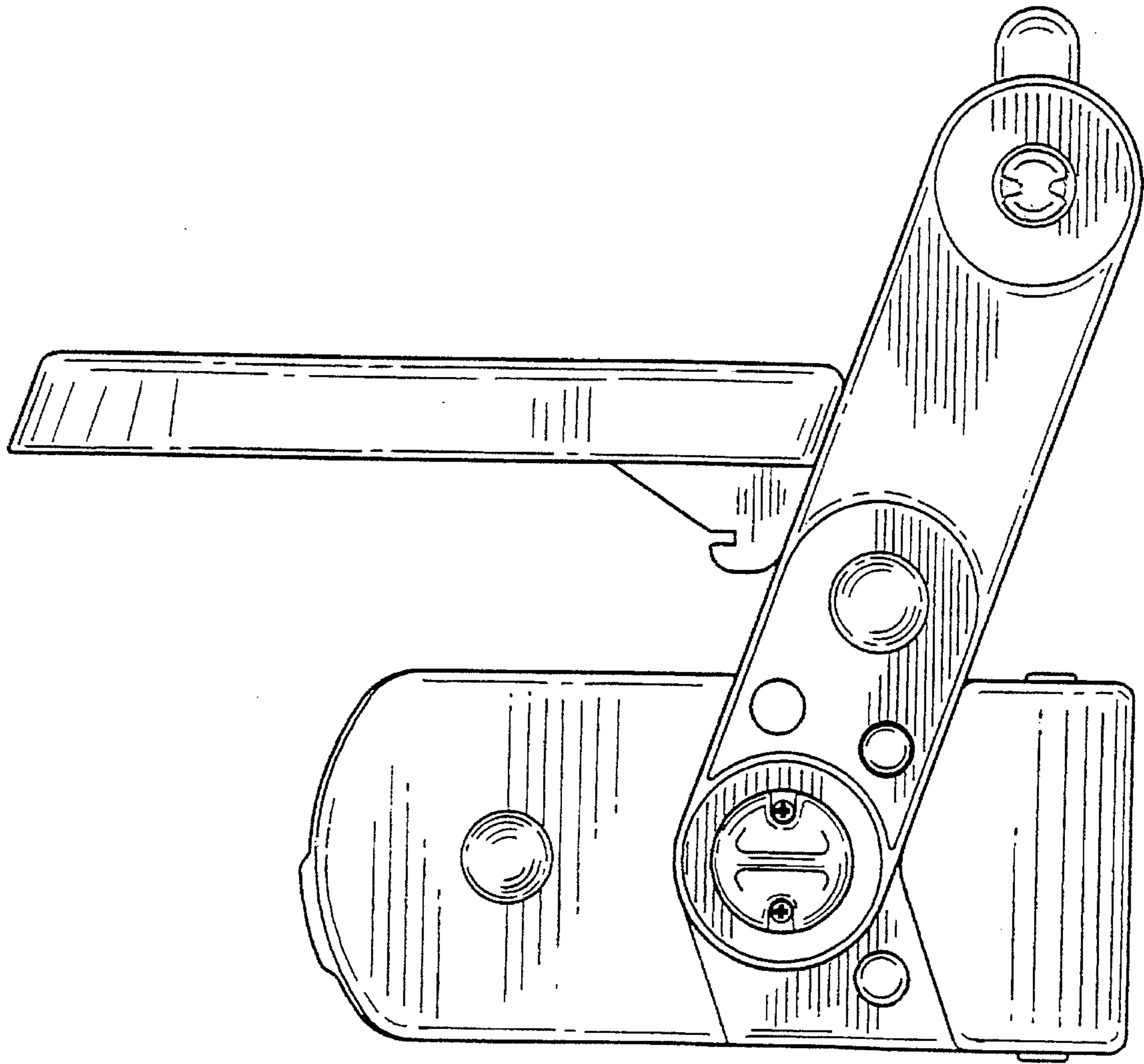


FIG. 6

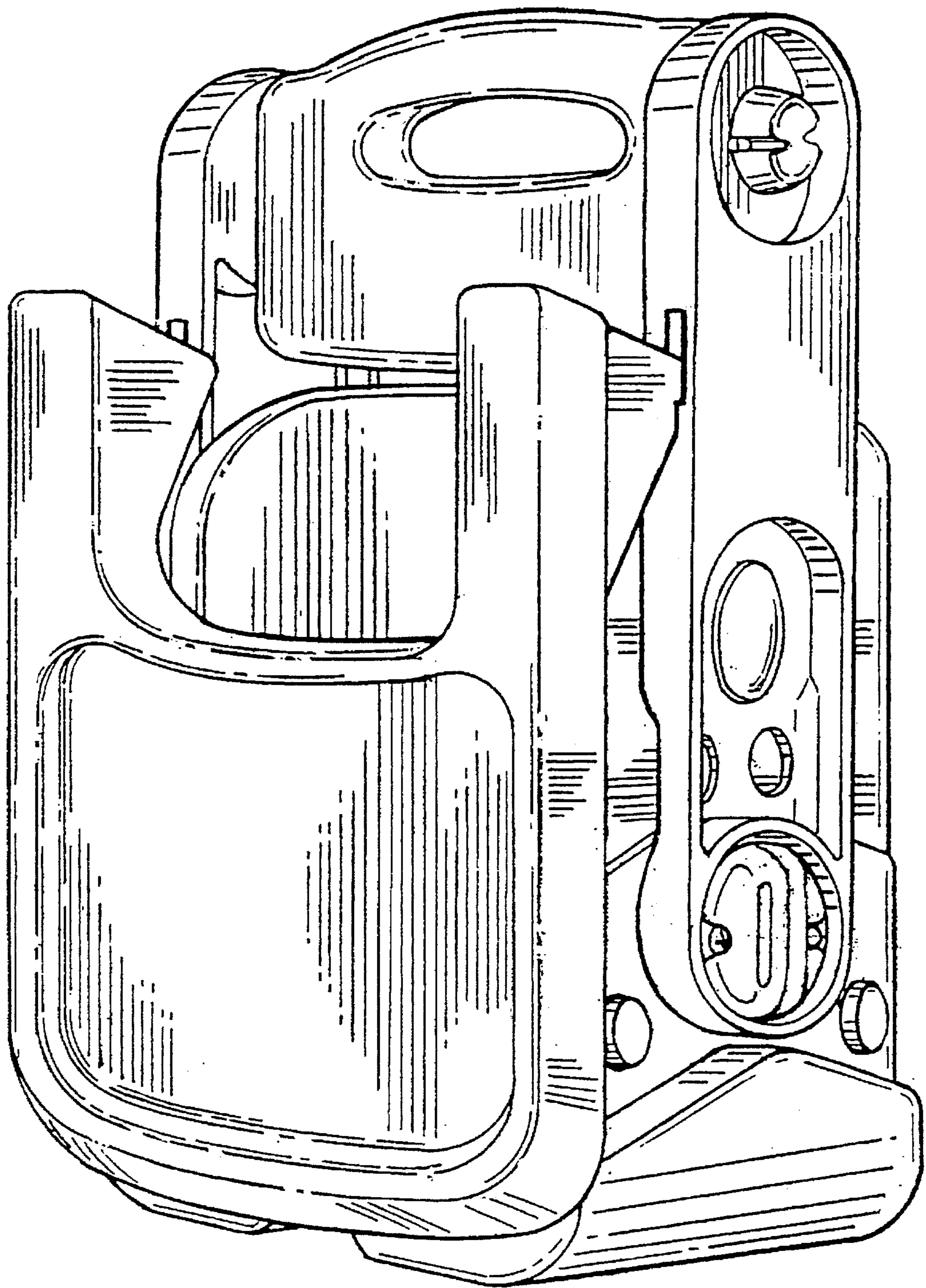


FIG. 7