



US00D367363S

United States Patent [19]
Ehrmann

[11] **Patent Number: Des. 367,363**

[45] **Date of Patent: **Feb. 27, 1996**

[54] **RACK FOR RETAINING HATS**
[76] Inventor: **Ronald S. Ehrmann**, 5808 Devonshire Dr., Bethesda, Md. 20816
[**] Term: **14 Years**
[21] Appl. No.: **26,027**
[22] Filed: **Jul. 18, 1994**
[52] U.S. Cl. **D6/316**
[58] Field of Search D6/315, 316, 317, D6/320, 552; 211/30, 31, 32, 87, 98, 113, 117, 118, 123, 124, 198, 202

D. 306,385 3/1990 Alexander D6/552
D. 314,302 2/1991 Snow D6/552
5,240,123 8/1993 Hawk 211/30 X

Primary Examiner—Ted Shooman
Assistant Examiner—Dominic Simone
Attorney, Agent, or Firm—Hoffman Wasson Gitler

[57] **CLAIM**

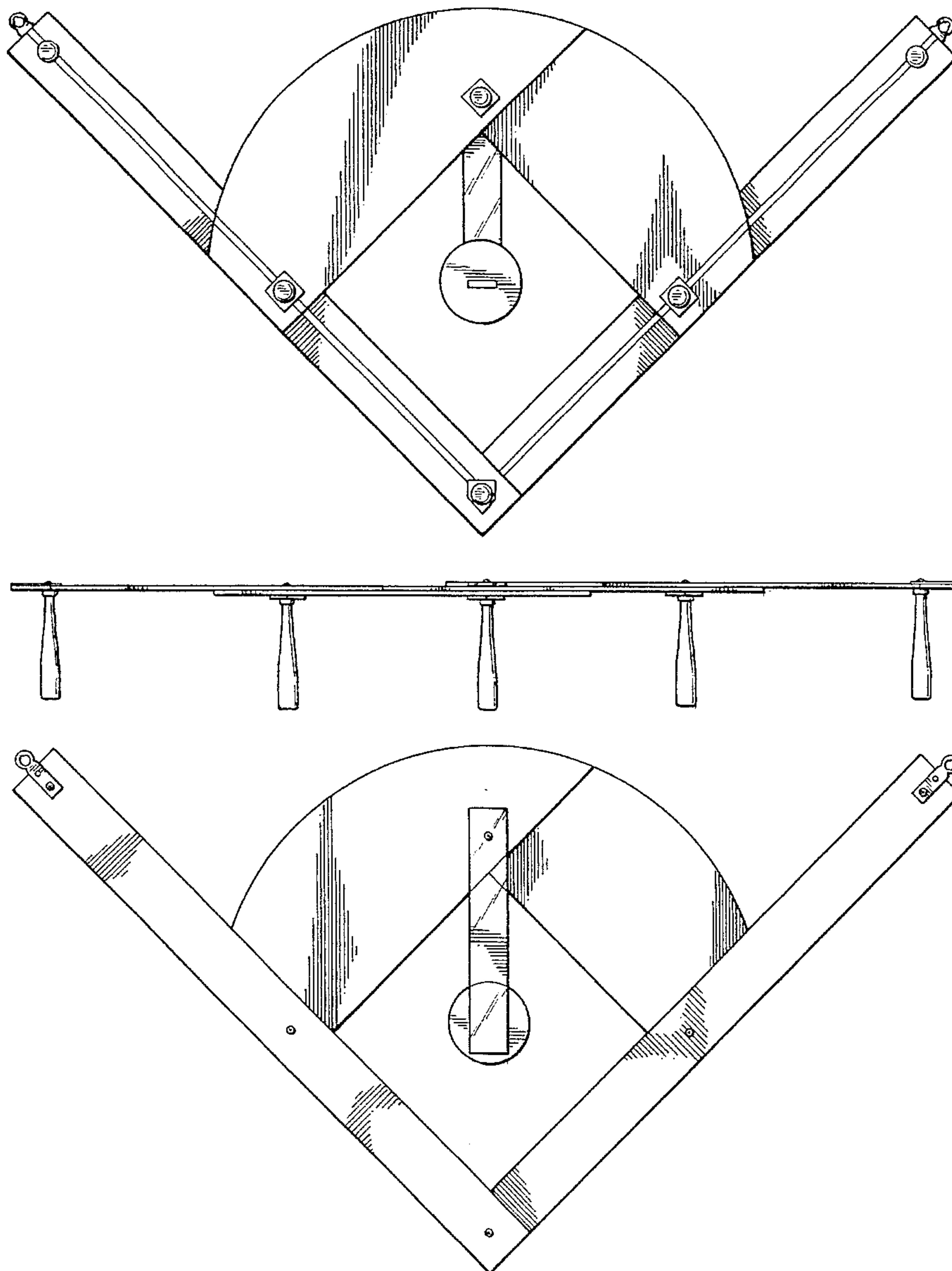
The ornamental design for a rack for retaining hats, as shown and described.

DESCRIPTION

FIG. 1 is a front elevational view of a rack for retaining hats showing my new design;
FIG. 2 is a top plan view thereof; and,
FIG. 3 is a rear elevational view thereof.

[56] **References Cited**
U.S. PATENT DOCUMENTS
D. 257,923 1/1981 Wolfe, Sr. D6/552
D. 291,154 8/1987 Owen D6/317 X

1 Claim, 2 Drawing Sheets



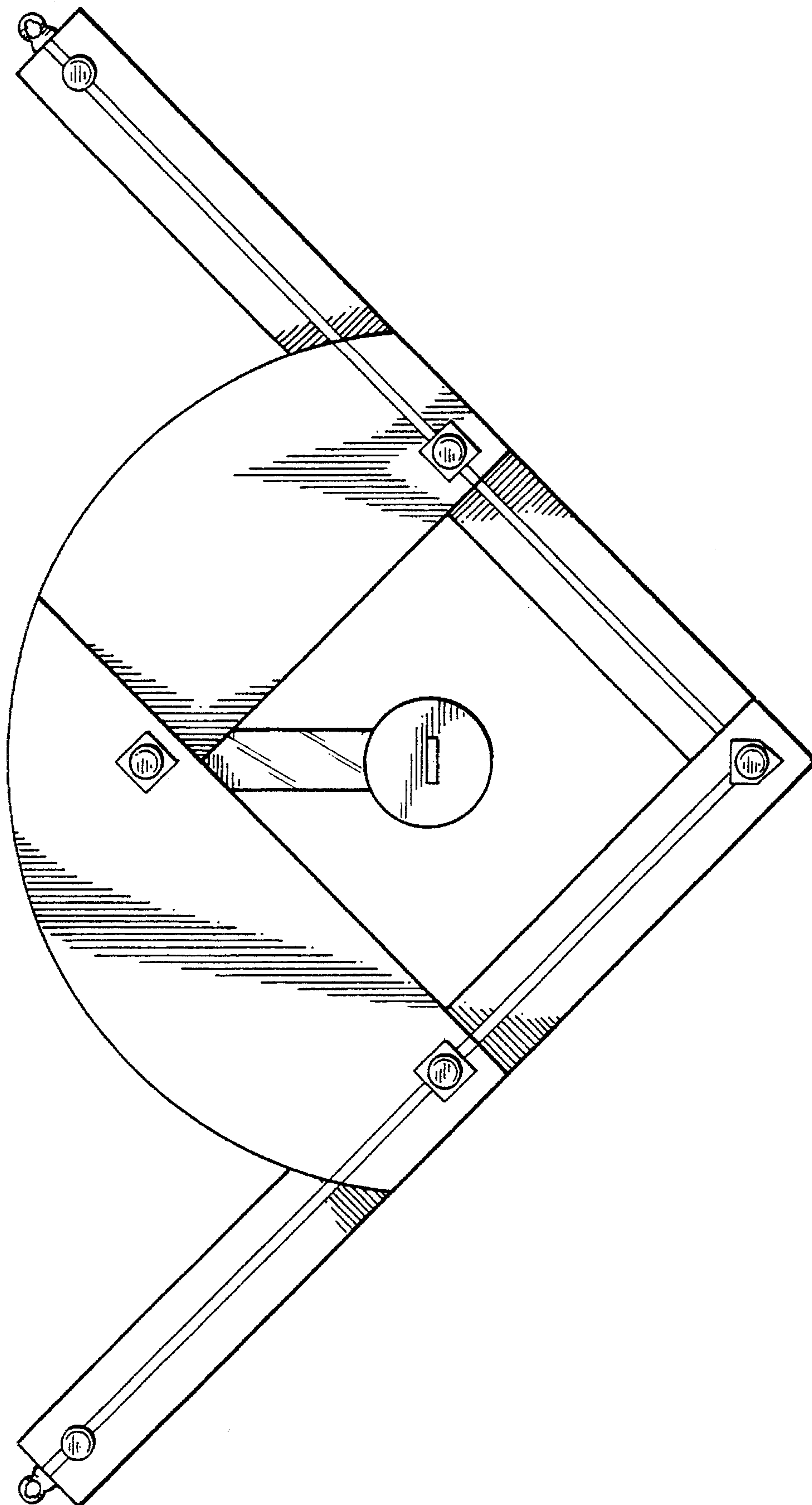


FIG. 1

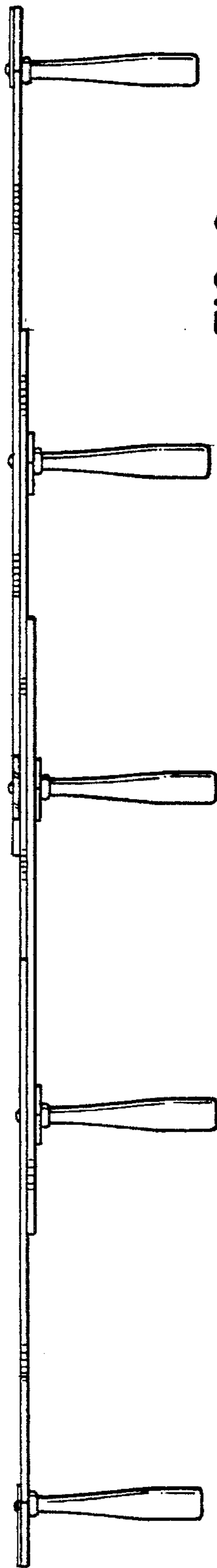


FIG. 2

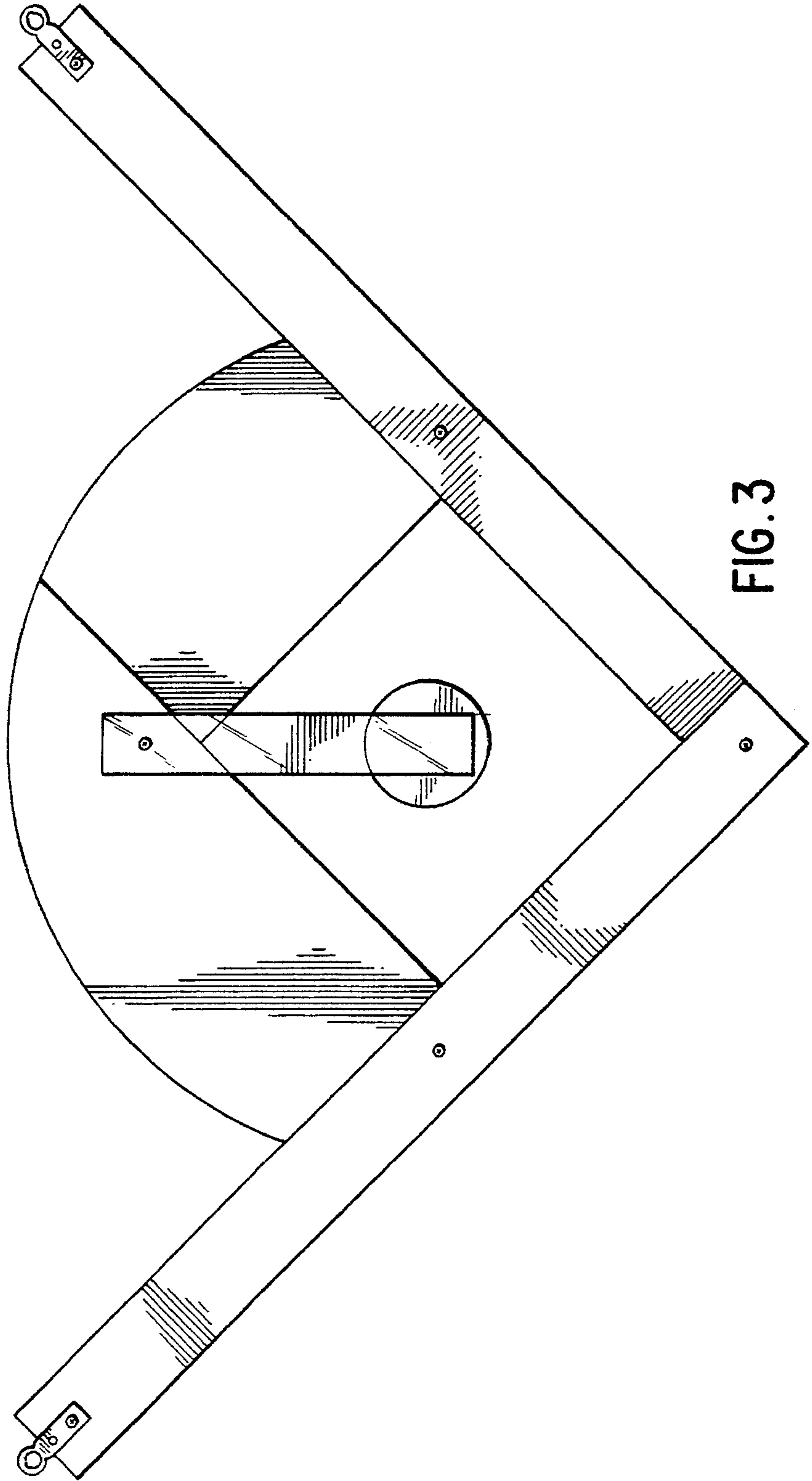


FIG. 3