



US00D367360S

United States Patent [19]
Wolff

[11] **Patent Number: Des. 367,360**
[45] **Date of Patent: **Feb. 27, 1996**

[54] **COMPARTMENTED LID FOR TOOLBOX**

4,984,687 1/1991 Hanna et al. 206/373

[75] Inventor: **Stacy L. Wolff**, Akron, Ohio

OTHER PUBLICATIONS

[73] Assignee: **Rubbermaid Incorporated**, Wooster, Ohio

P. 4, Top access tackle box; Plano Molding Company, 431 East South Street, Plano, Illinois 60545-1601. Publication date 1991.

[**] Term: **14 Years**

P. 21, Tackle boxes; Rubbermaid Specialty Products Inc., 1147 Akron Road, Wooster, Ohio 44691. Publication date 1993.

[21] Appl. No.: **27,046**

Primary Examiner—Louis S. Zarfes

[22] Filed: **Aug. 11, 1994**

Assistant Examiner—Monica A. Hannon

[52] U.S. Cl. **D3/323; D3/318**

Attorney, Agent, or Firm—Richard B. O'Planick; Lisa B. Riedesel

[58] **Field of Search** D3/201, 203, 205, D3/207, 208, 210, 212, 230, 247, 249, 250, 253, 264, 273, 274, 276, 281-284, 286, 287, 290-296, 299, 303-305, 307-329, 900-904, 206, 302, 226, 232, 233, 242, 243, 263, 265, 266; D9/305, 307, 328, 432, 500, 503, 504, 505; 206/5.1, 45.24, 69, 235, 238, 305, 362.1, 362, 372, 373, 376, 443, 457, 563, 581, 823; 220/4.22, 4.23, 23, 23.83, 213, 335, 522, 755, 776; 312/DIG. 33

[57] **CLAIM**

The ornamental design for a compartmented lid for toolbox, as shown and described.

DESCRIPTION

FIG. 1 is a top right front perspective view of a compartmented lid for toolbox showing my new design. The broken lines are for illustrative purposes only and form no part of the claimed design;

FIG. 2 is a front elevational view thereof;

FIG. 3 is a top plan view thereof;

FIG. 4 is a right side elevational view thereof; the left side elevational view being a mirror image;

FIG. 5 is a rear elevational view thereof;

FIG. 6 is a bottom plan view thereof;

FIG. 7 is a top right front perspective view thereof shown with the environmental unclaimed features removed; and,

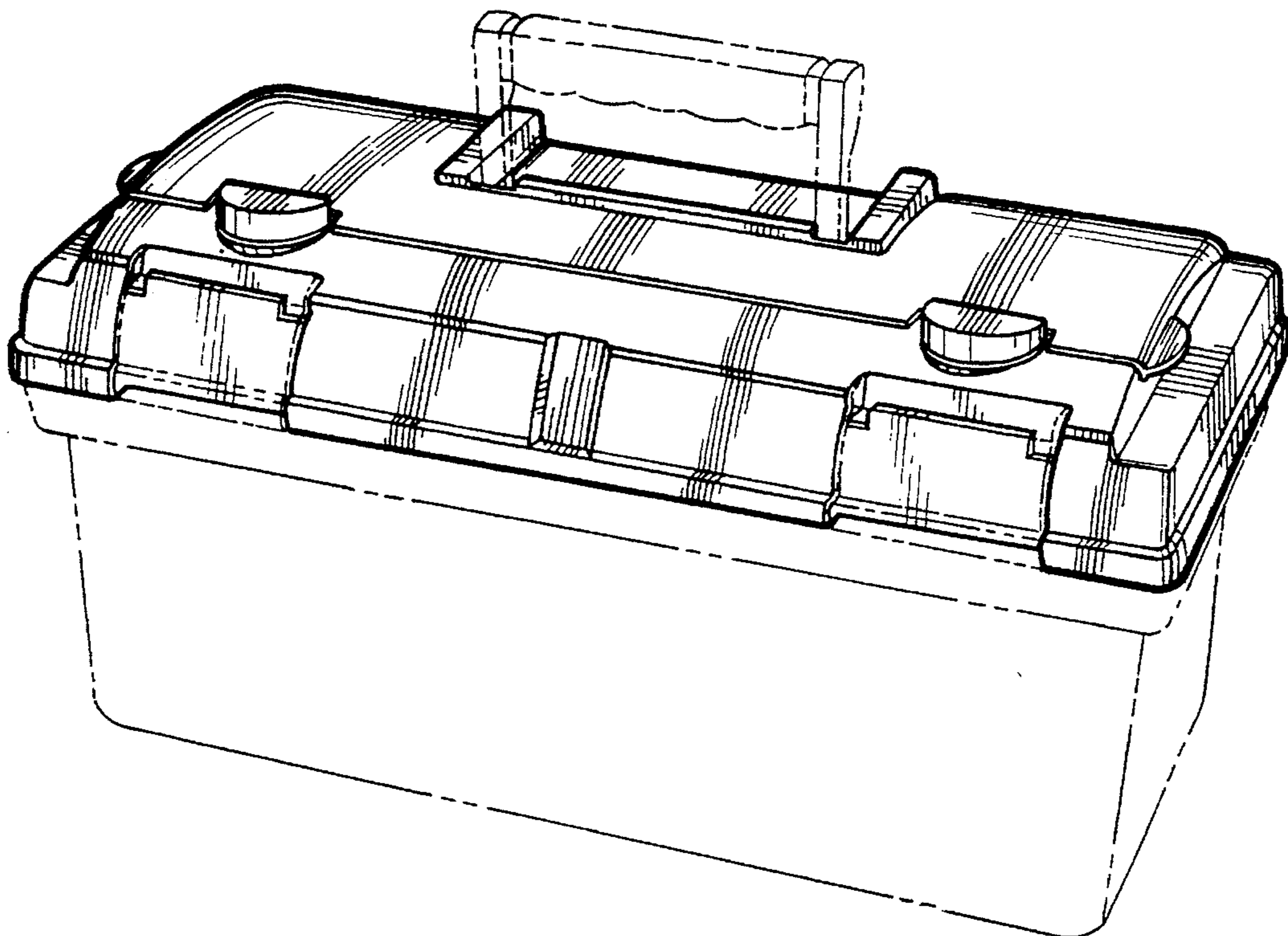
FIG. 8 is a top left rear perspective view thereof.

[56] **References Cited**

U.S. PATENT DOCUMENTS

D. 161,866	2/1951	Peterson	D31/4
D. 306,264	2/1990	Malmanger	D9/432
D. 315,445	3/1991	Lanius	D3/281
D. 322,164	10/1991	Hanna et al.	D3/30.1
D. 327,292	6/1992	Klodt	D3/281 X
D. 328,818	8/1992	Hanna et al.	D3/78
D. 328,819	8/1992	Hanna et al.	D3/78
D. 330,329	10/1992	Brightbill	D3/302

1 Claim, 3 Drawing Sheets



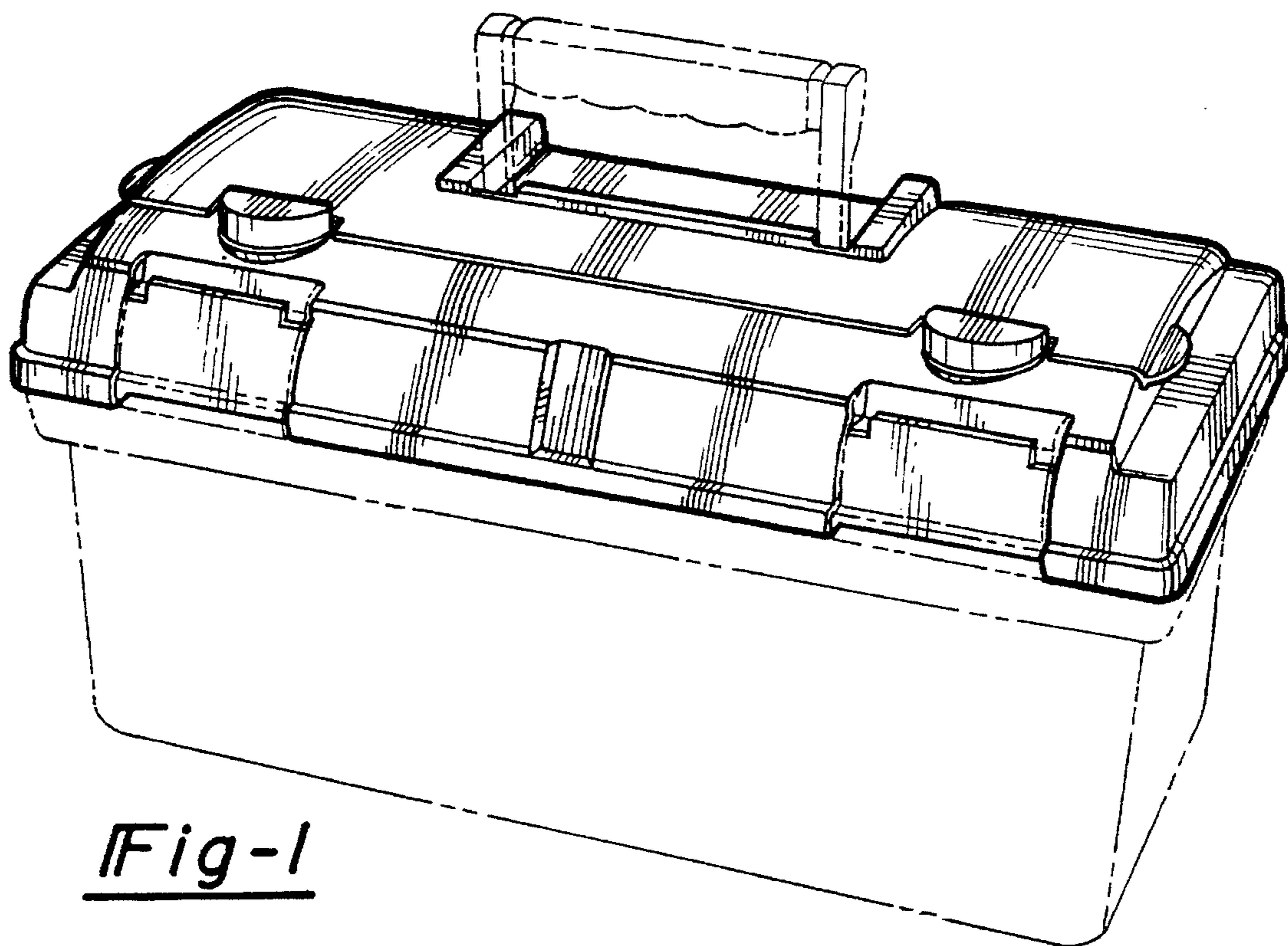


Fig-1

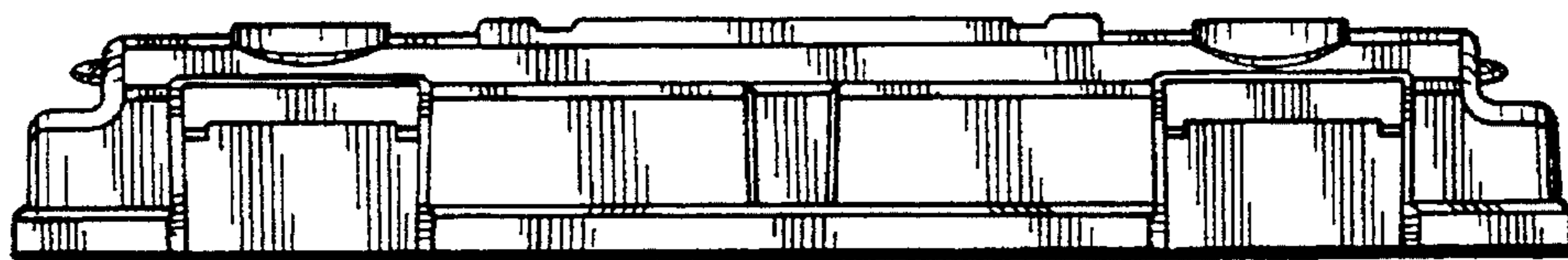


Fig-2

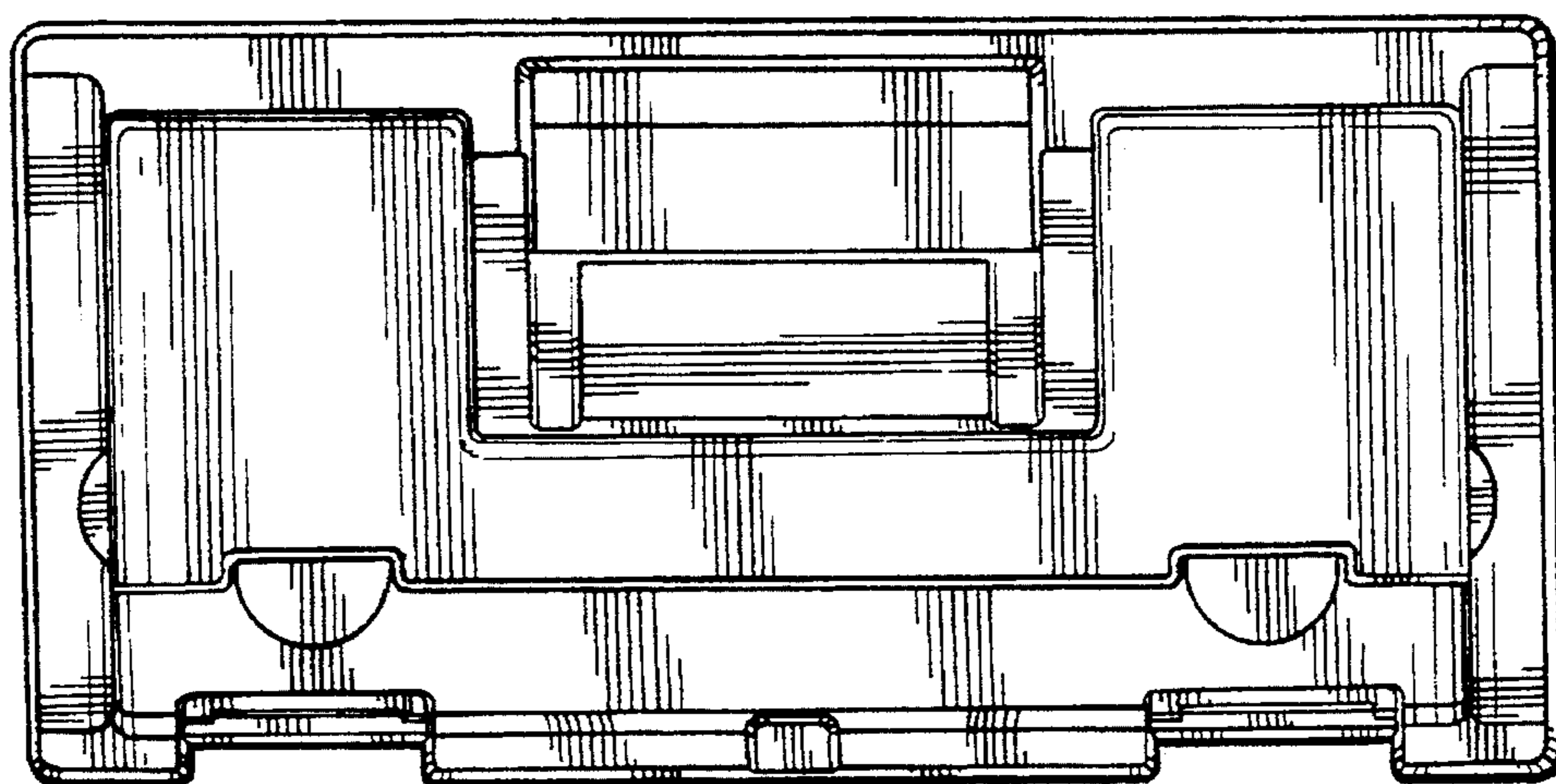


Fig-3

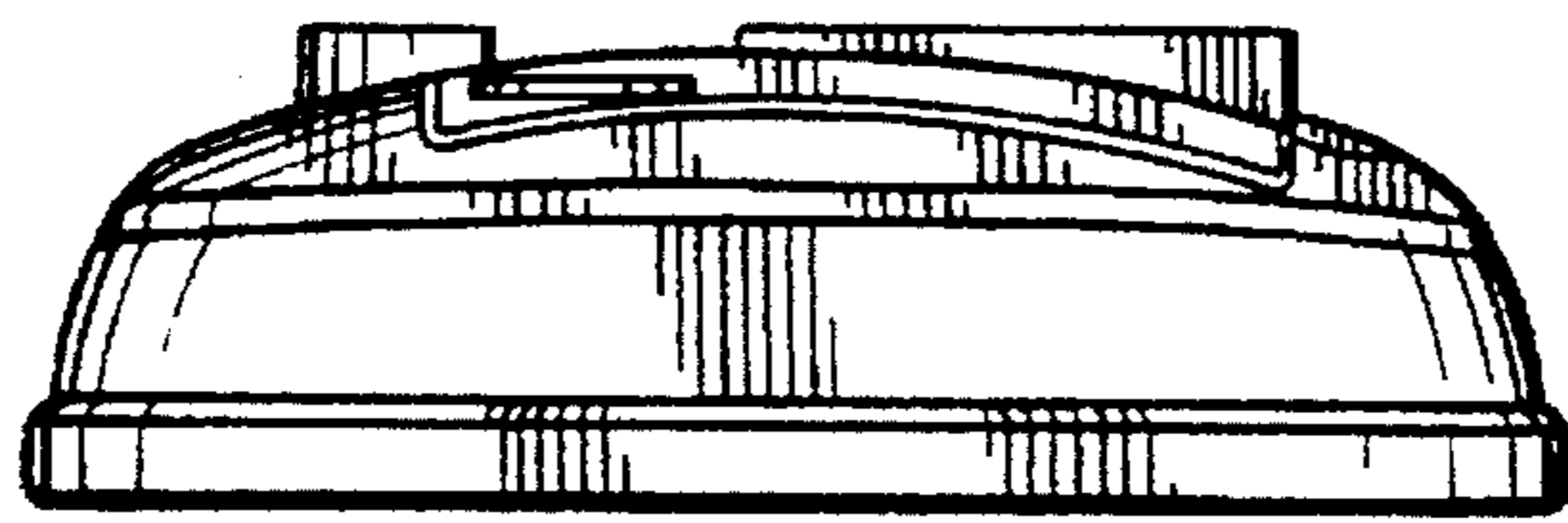


Fig-4

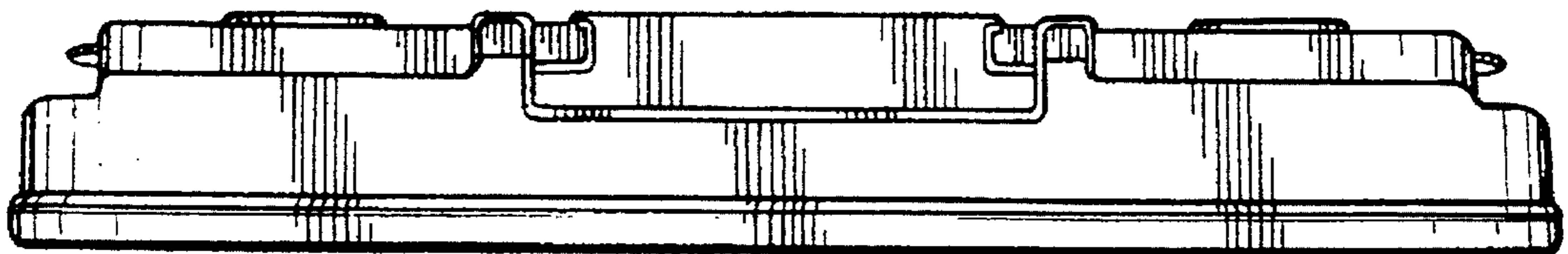


Fig-5

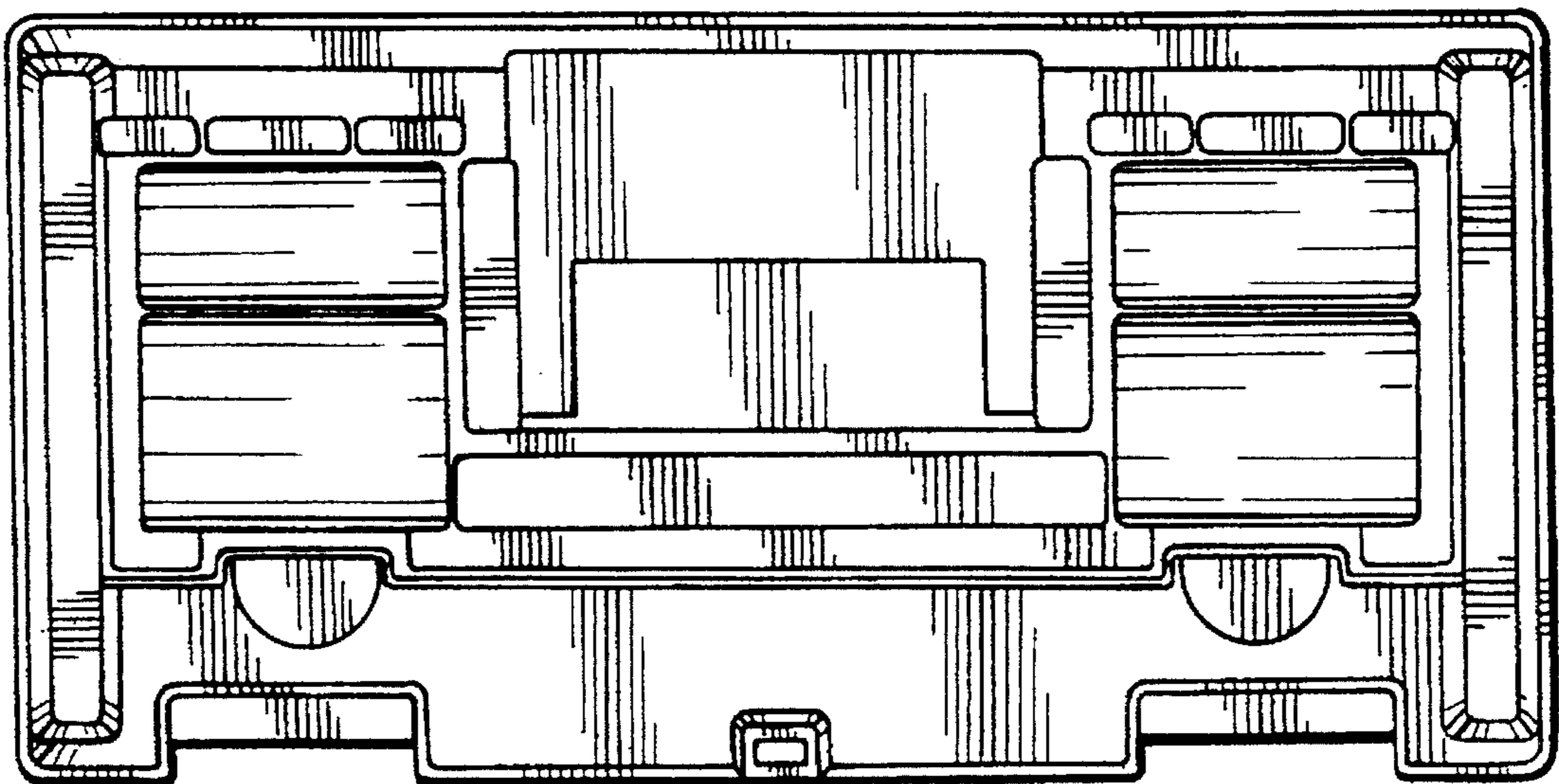


Fig-6

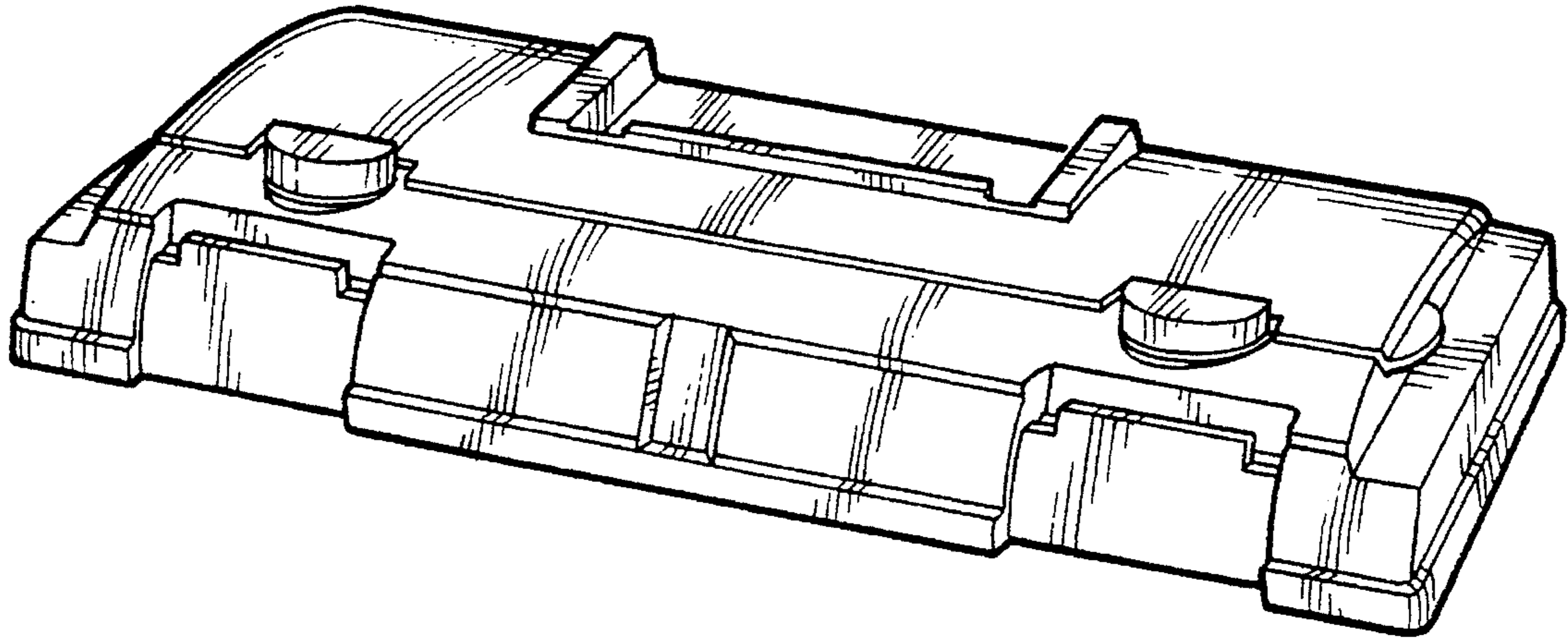


Fig - 7

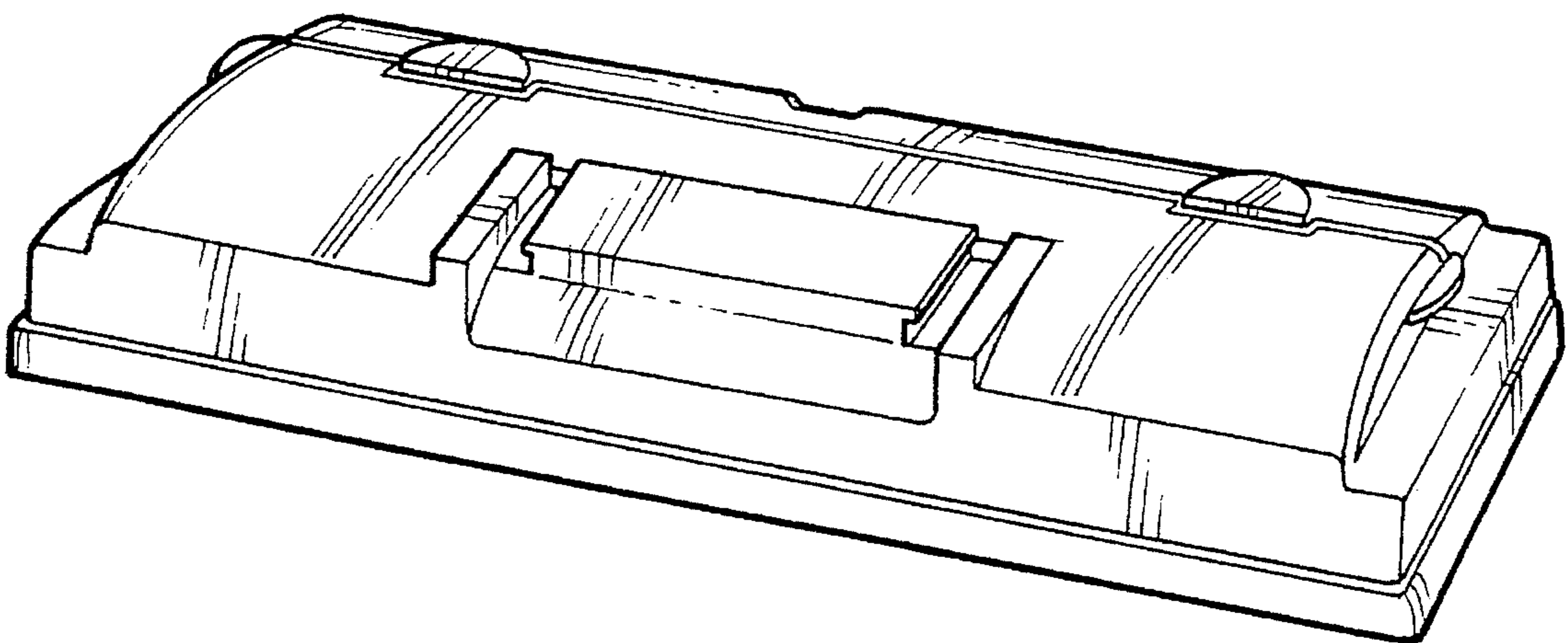


Fig - 8