



US00D367350S

United States Patent [19]
Sigal

[11] **Patent Number: Des. 367,350**

[45] **Date of Patent: **Feb. 20, 1996**

[54] **TOY BANK IN THE FORM OF A FOOTBALL HELMET**

[76] Inventor: **Cindy S. Sigal**, 4002 Balmoral Rd., Baltimore, Md. 21208

[**] Term: **14 Years**

[21] Appl. No.: **30,661**

[22] Filed: **Nov. 4, 1994**

[52] U.S. Cl. **D99/37**

[58] **Field of Search** D99/34, 35, 37, D99/38, 39; D6/557; D9/311, 317; D11/160, 162; D21/150, 151, 160, 166; 232/1 D, 5, 14, 15; 446/9, 10, 11, 12

[56] **References Cited**

U.S. PATENT DOCUMENTS

D. 209,219	11/1967	Golstein et al.	D99/37
D. 248,651	7/1978	Zivica	D99/37
D. 329,933	9/1992	Perkitny	D99/35
D. 332,513	1/1993	Haung	D99/37
D. 348,762	7/1994	Burgos	D99/35

Primary Examiner—Alan P. Douglas
Assistant Examiner—Robert M. Spear

Attorney, Agent, or Firm—Leonard Bloom

[57] **CLAIM**

The ornamental design for a toy bank in the form of a football helmet, as shown and described.

DESCRIPTION

FIG. 1 is a perspective view of a toy bank in the form of a football helmet, the broken lines forming no part of my design;

FIG. 2 is a top plan view thereof;

FIG. 3 is a bottom plan view thereof;

FIG. 4 is a left side elevation thereof;

FIG. 5 is a right side elevation thereof;

FIG. 6 is a front view thereof;

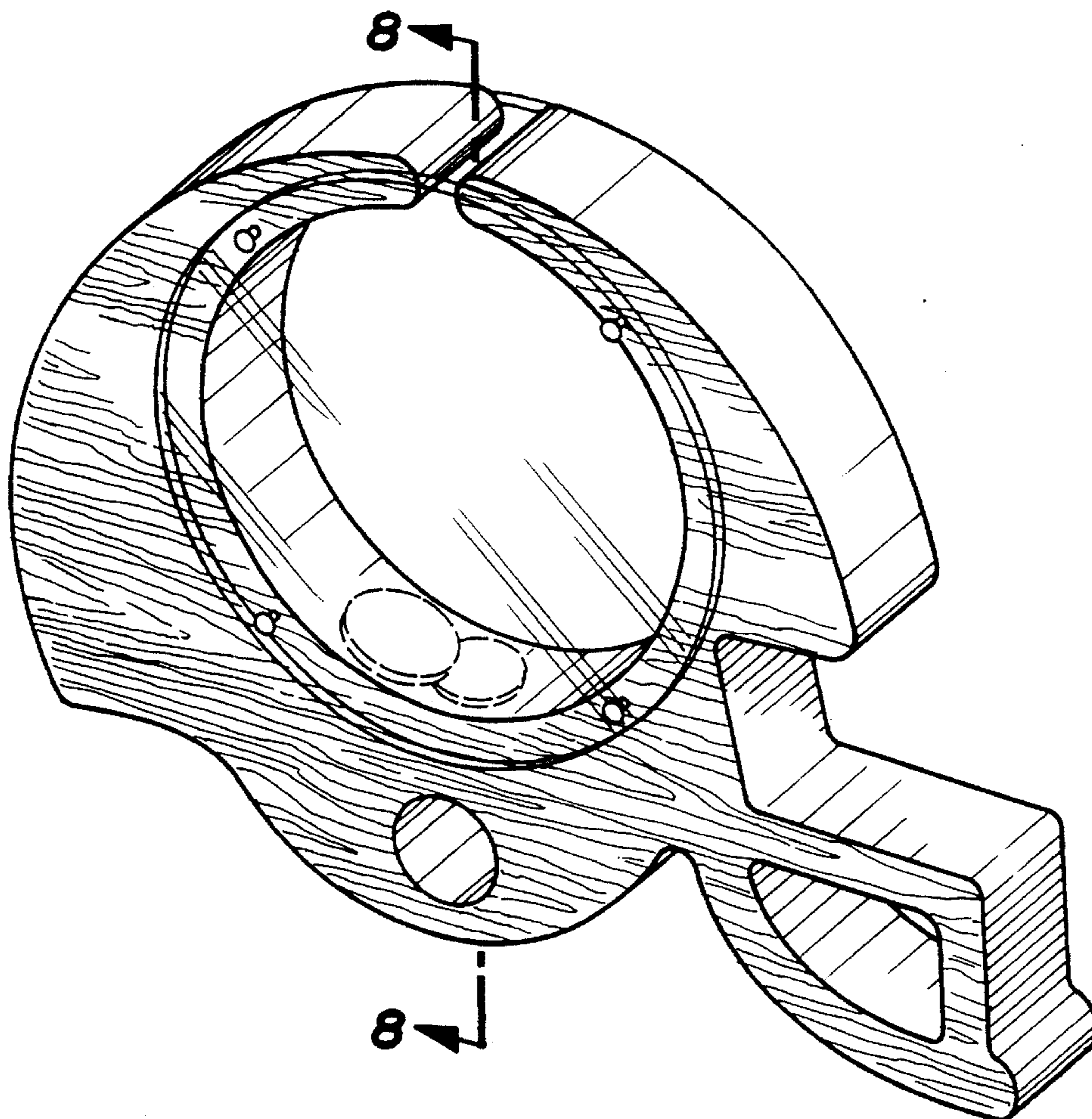
FIG. 7 is a rear view thereof;

FIG. 8 is a section view, taken along the lines 8—8 of FIG. 1;

FIG. 9 is a further section view, corresponding to a portion of FIG. 8 and drawn to an enlarged scale, and showing the toy bank being molded of plastic (rather than wood in FIGS. 1—8); and,

FIG. 10 is a still further section view, corresponding to FIG. 9, but showing the use of metal.

1 Claim, 4 Drawing Sheets



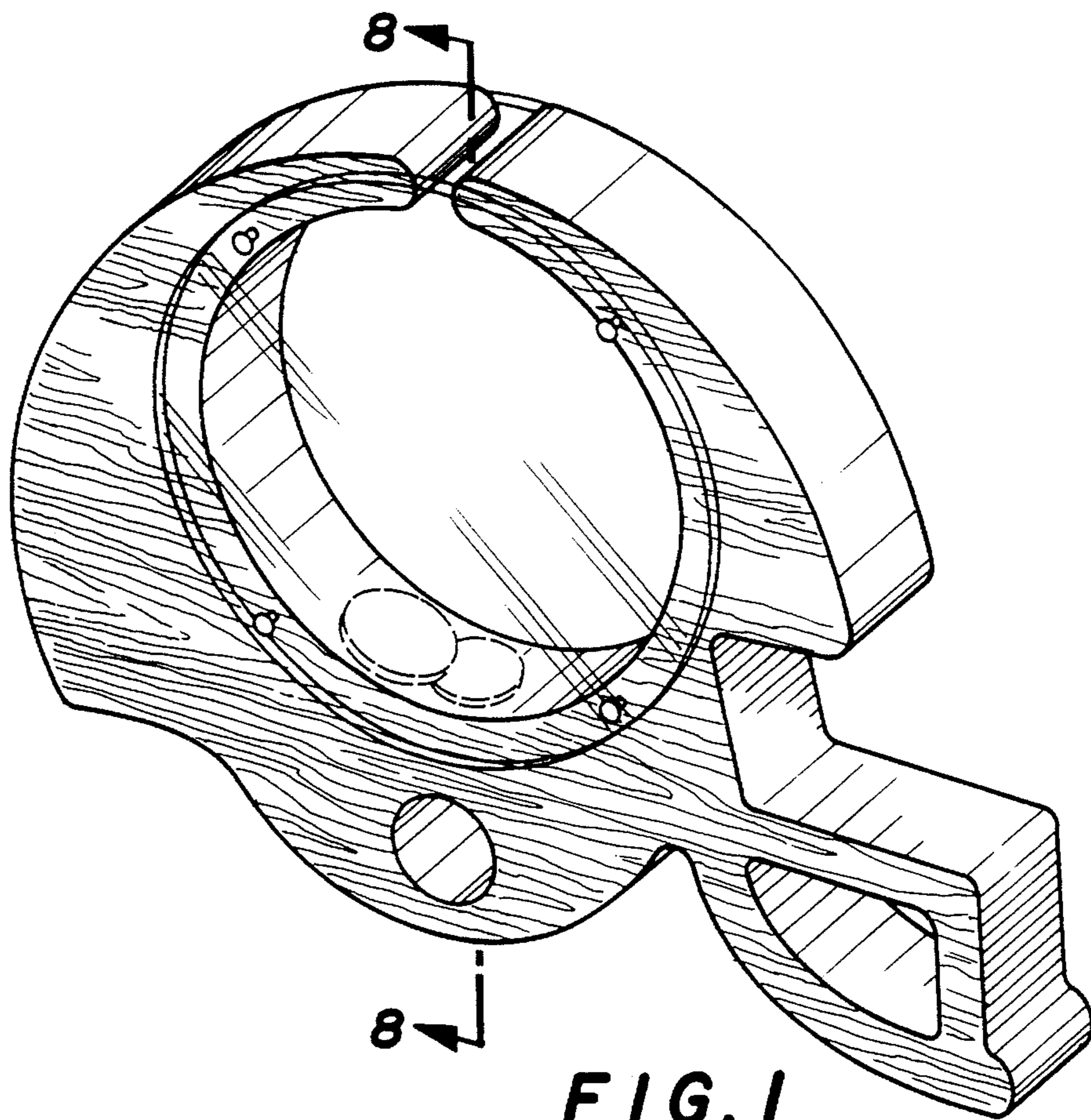


FIG. 2

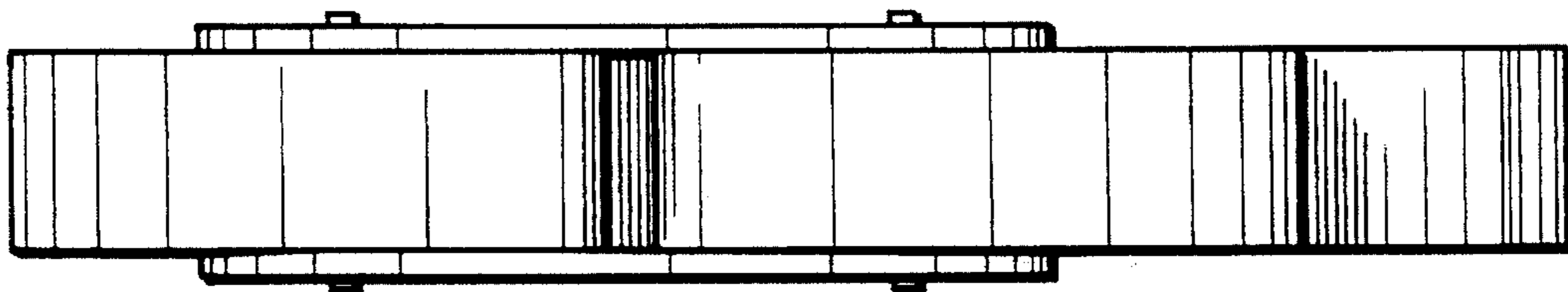
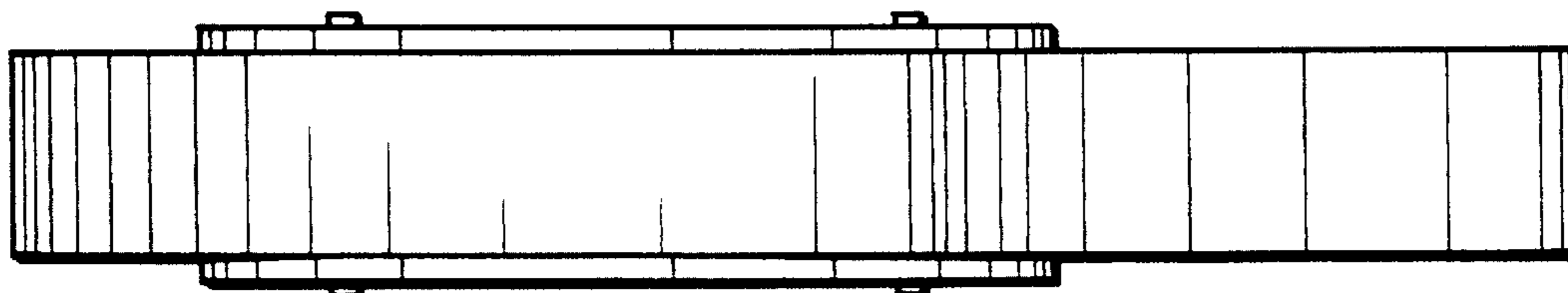


FIG. 3



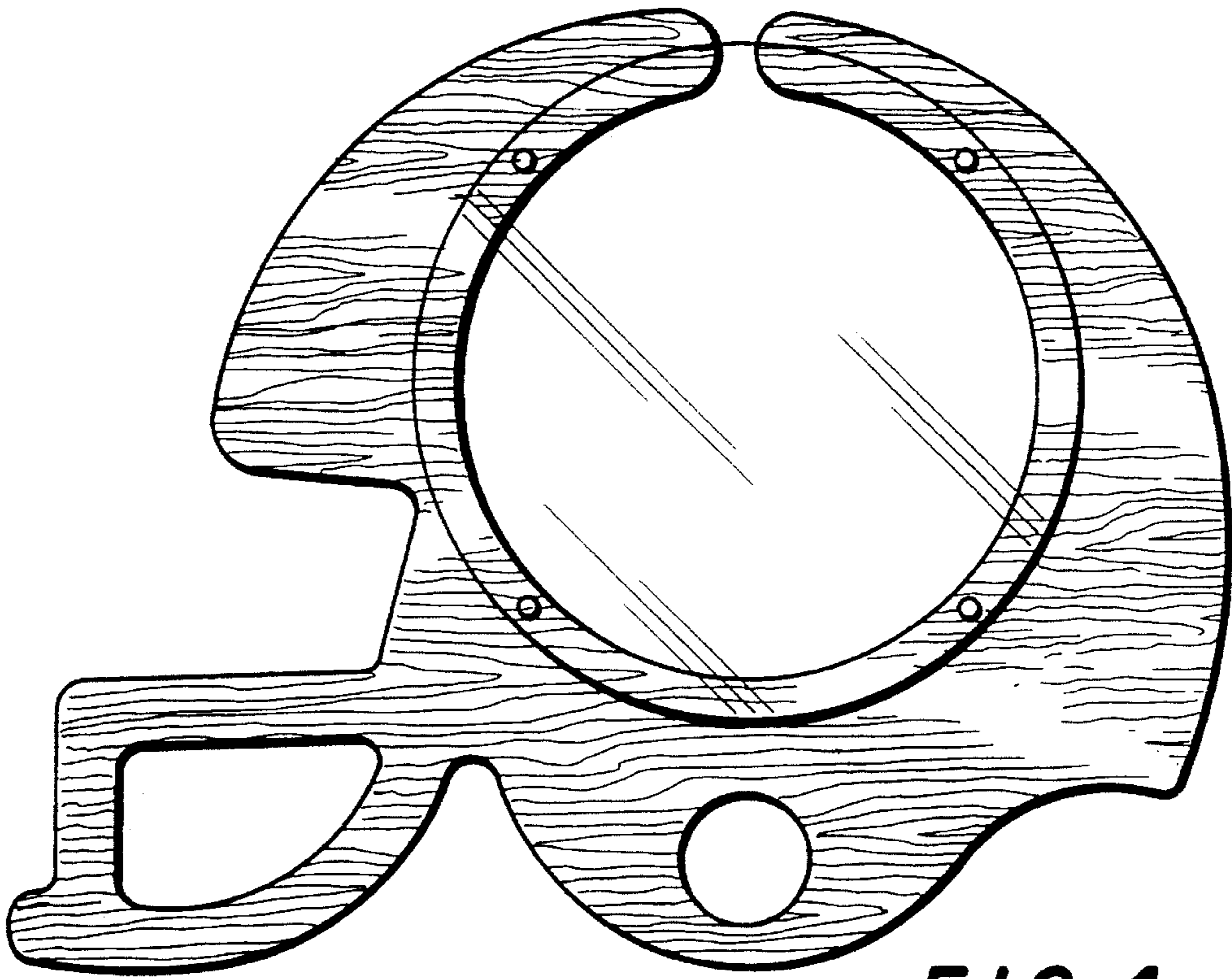


FIG. 4

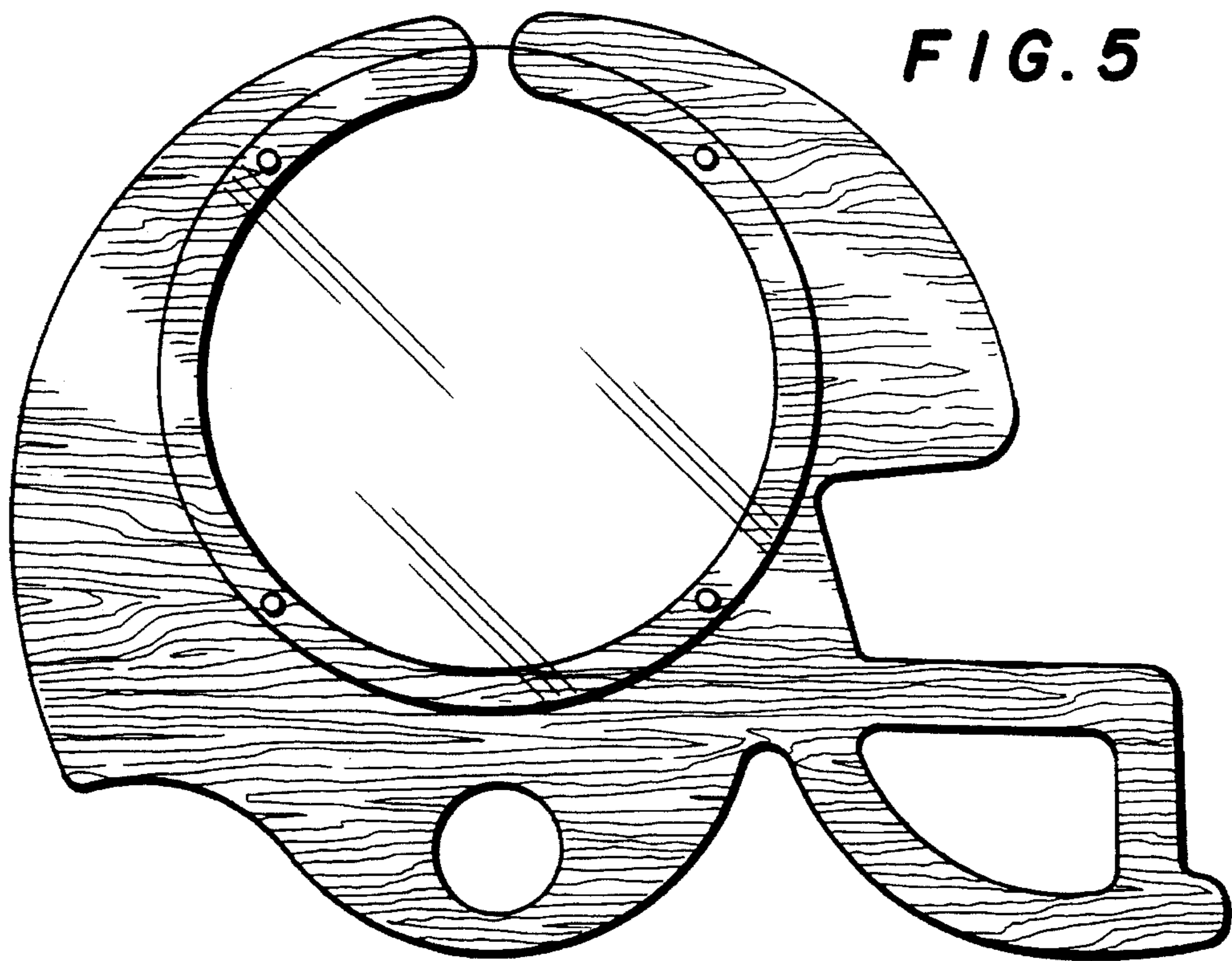


FIG. 5

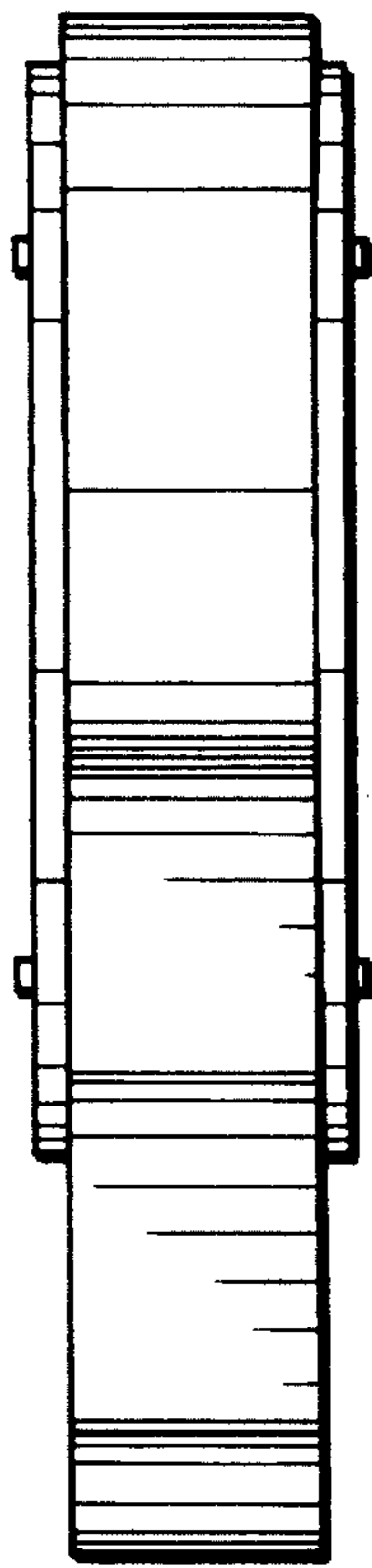


FIG. 6

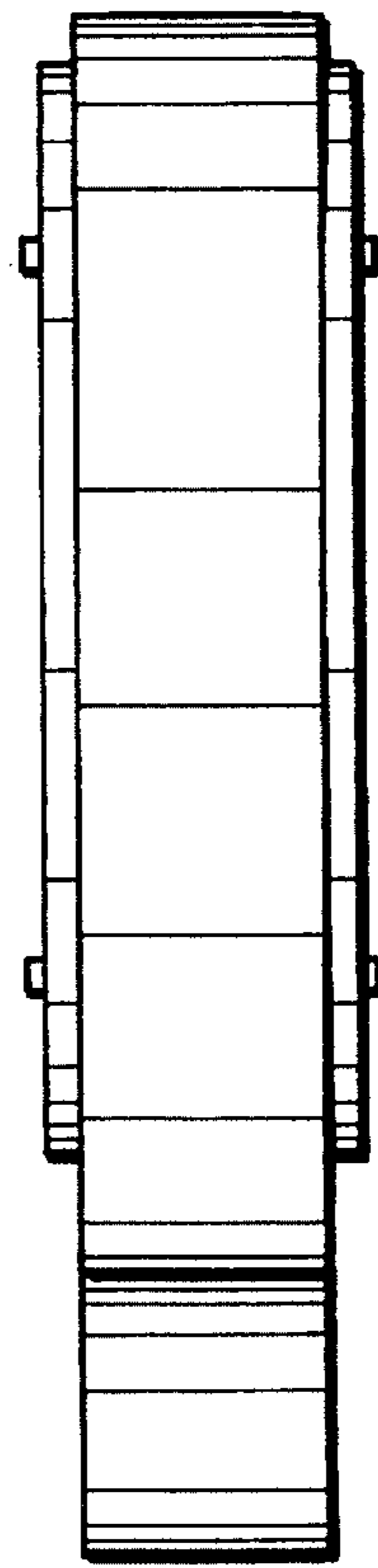


FIG. 7

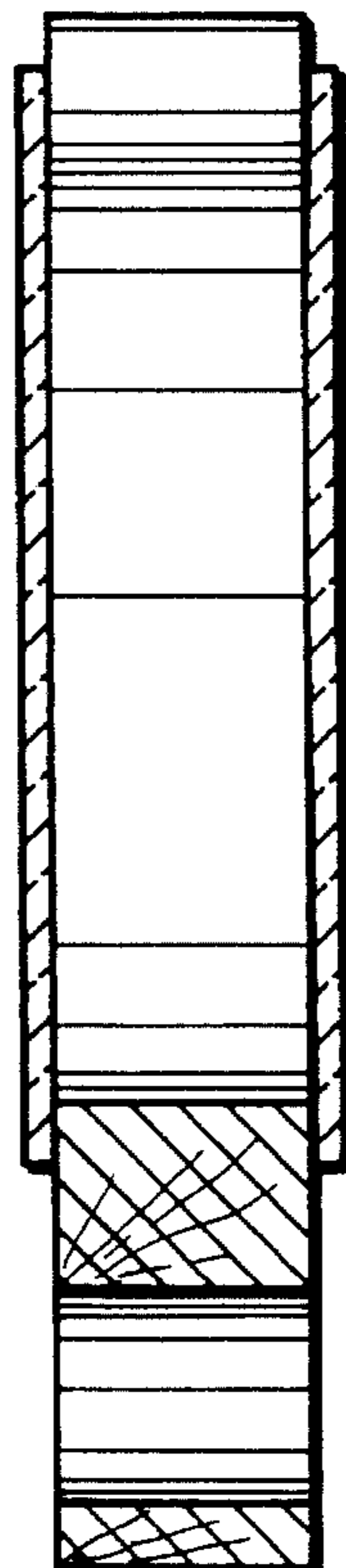


FIG. 8

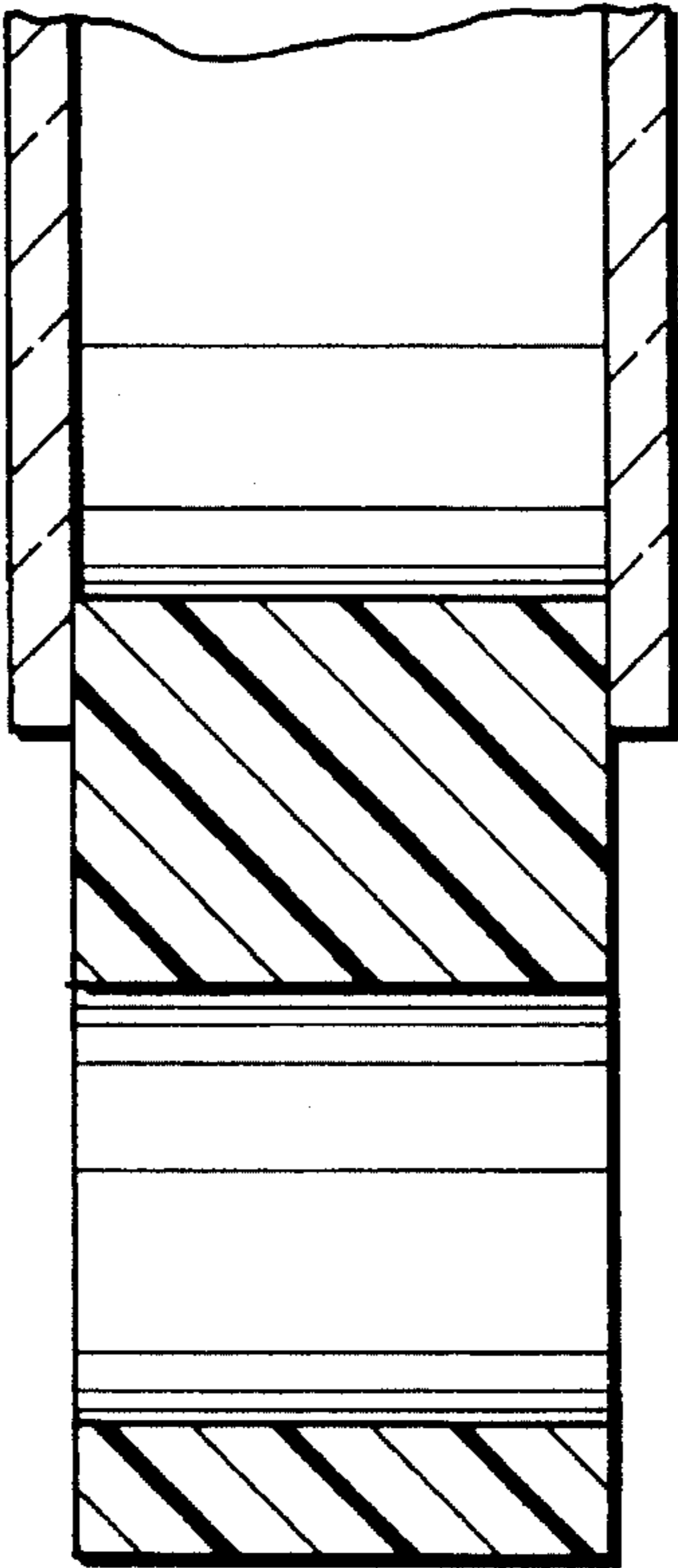


FIG. 9

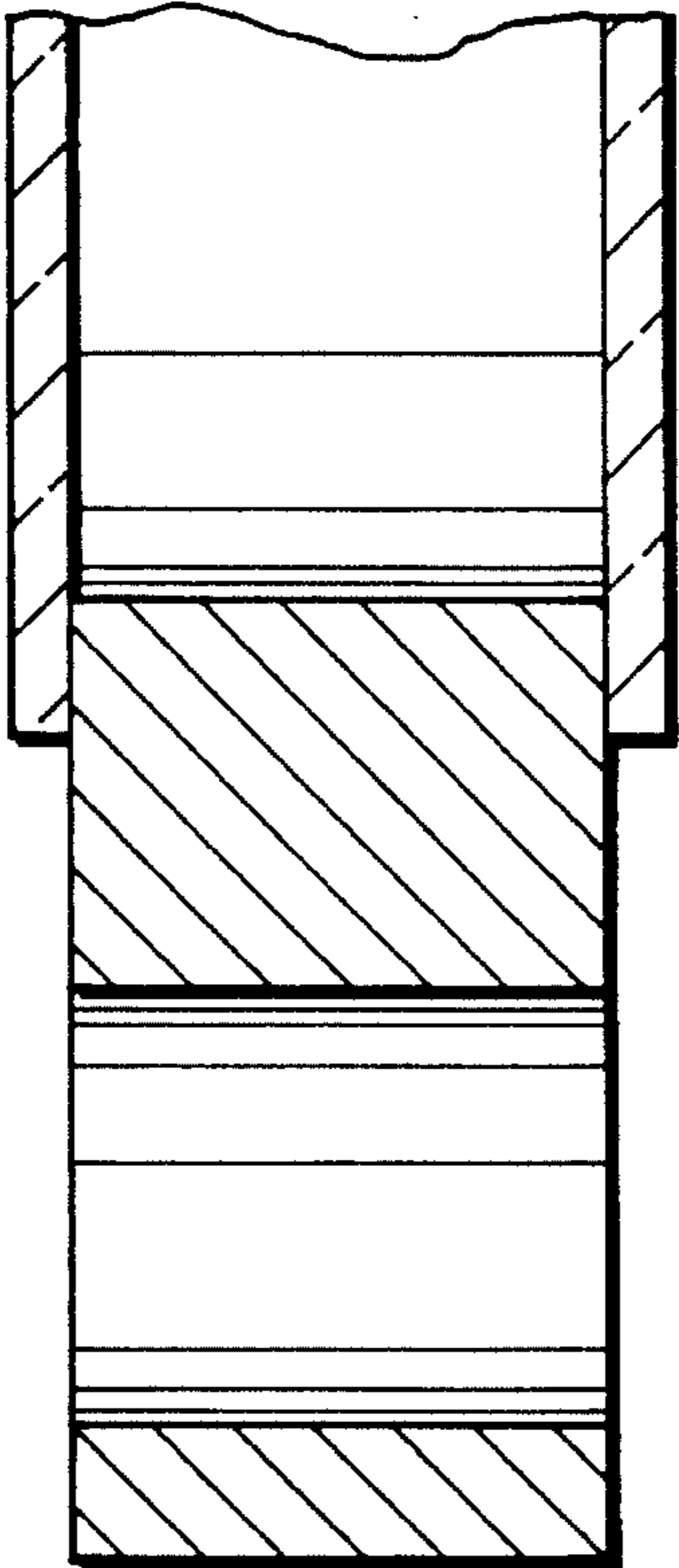


FIG. 10