



US00D367349S

United States Patent [19]

[11] Patent Number: Des. 367,349

Insalaco et al.

[45] Date of Patent: **Feb. 20, 1996

[54] TRANSPORT CART

[75] Inventors: **Robert W. Insalaco**, Holland, Mich.;
Edgar B. Montague, Charlotte, N.C.

[73] Assignee: **Herman Miller, Inc.**, Zeeland, Mich.

[**] Term: **14 Years**

[21] Appl. No.: **30,015**

[22] Filed: **Sep. 14, 1994**

[52] U.S. Cl. **D34/19; D34/17**

[58] Field of Search **D34/12-27, 1,**
D34/5; 280/79.2, 79.3, 47.35, 47.34, 47.26,
47.19; D6/436, 429, 430

[56] References Cited

U.S. PATENT DOCUMENTS

- D. 137,626 4/1944 Adams .
- D. 199,355 10/1964 Mueller .
- D. 214,163 5/1969 Smith et al. .
- D. 227,964 7/1973 Propst et al. .
- D. 230,257 2/1974 Corini .
- D. 250,584 12/1978 Oye .
- D. 283,769 5/1986 Cohn .
- D. 323,051 1/1992 Baggott .
- D. 327,756 7/1992 Klein et al. .
- 1,021,872 4/1912 Kingsbury .
- 1,391,008 9/1921 Richmond .
- 1,427,388 8/1922 Holley .
- 2,424,355 7/1947 Goldman .
- 2,652,308 9/1953 Peterson .
- 2,873,993 2/1959 Savke .
- 2,905,519 9/1959 O'Neil .
- 3,008,788 11/1961 Garner .
- 3,241,850 3/1966 Propst .
- 3,265,404 8/1966 Skufca .

(List continued on next page.)

FOREIGN PATENT DOCUMENTS

- 2189198 10/1987 United Kingdom .

OTHER PUBLICATIONS

"A User Information Guide," published by Herman Miller, Inc., pp. 2, 3 and 20-24. The Guide pertains to Herman Miller Inc.'s Co/Struc System. Through the date of publication is unknown, the Guide was available to the public prior to the filing of this application.

The photograph labeled A shows the Metro Trux cart made by Intermetro Industries. The cart shown was available to the public prior to the filing of this application.

The photograph labeled B shows the Milcare Wire Cart made by Milcare Inc., a subsidiary of Herman Miller, Inc., The cart shown was available to the public prior to the filing of this application.

The photograph labeled C shows the Metro Exchange cart made by Intermetro Industries. The cart shown was available to the public prior to the filing of this application.

The photograph labeled D shows the Polycart made by Intermetro Industries. The cart shown was available to the public prior to the filing of this application.

The photograph labeled E shows the Metro Max cart made by Intermetro Industries. The cart shown was available to the public prior to the filing of this application.

(List continued on next page.)

Primary Examiner—Kay H. Chin

Attorney, Agent, or Firm—William Brinks Hofer Gilson & Lione

[57] CLAIM

The ornamental design for a transport cart, as shown and described.

DESCRIPTION

FIG. 1 is a perspective view showing our new design for a transport cart;

FIG. 2 is a front view thereof;

FIG. 3 is a rear view thereof;

FIG. 4 is a right side view thereof;

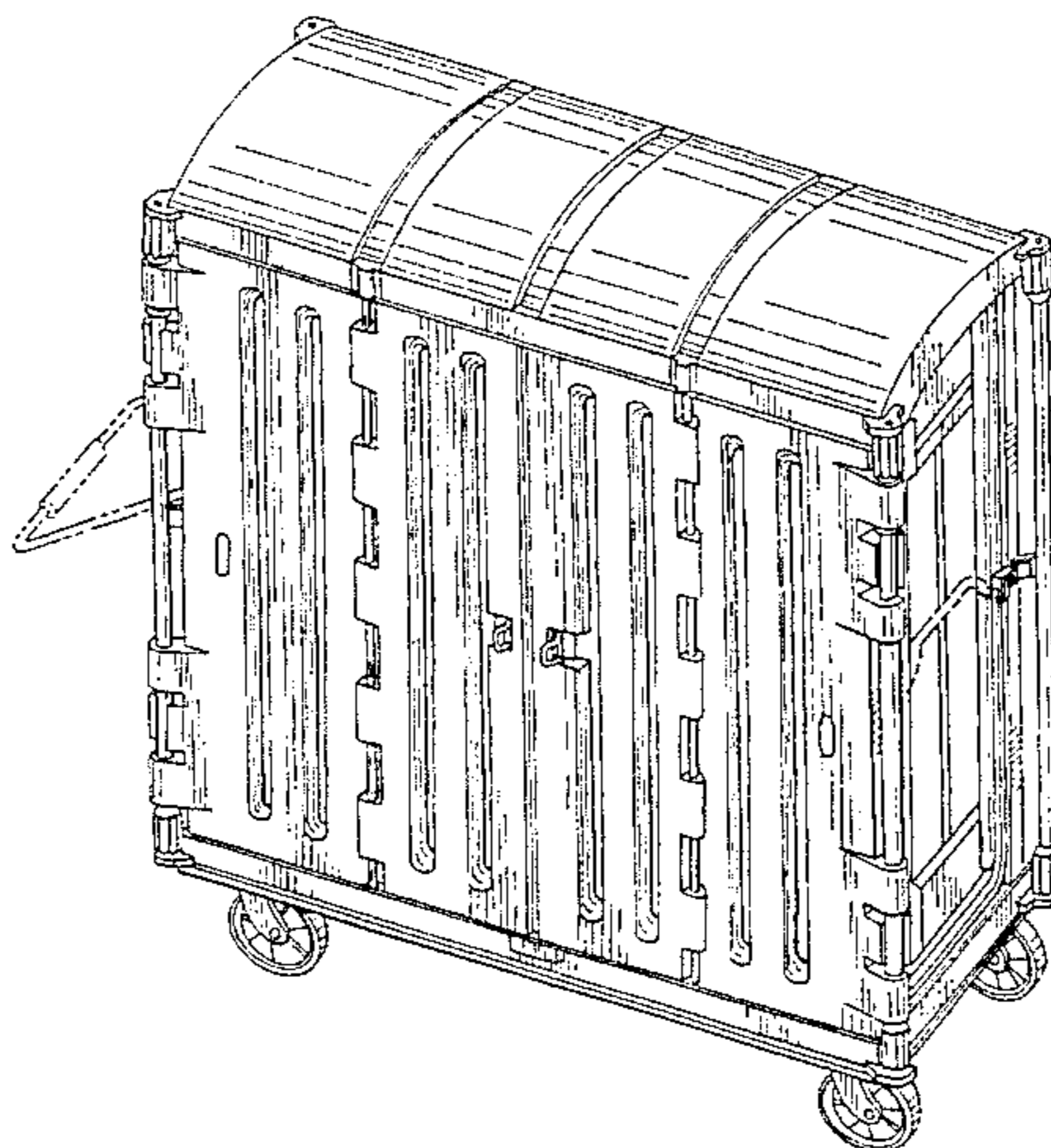
FIG. 5 is a left side view thereof;

FIG. 6 is a top plan view thereof; and,

FIG. 7 is a bottom view thereof.

The broken lines of handles shown in FIGS. 1 through 7 drawing are for illustrative purposes only and form no part of the claimed design.

1 Claim, 5 Drawing Sheets



U.S. PATENT DOCUMENTS

3,446,386 5/1969 Wellington .
3,573,879 4/1971 Bergkamp et al. .
3,708,709 1/1973 Morrison et al. .
3,868,123 2/1975 Berg et al. .
3,876,268 4/1975 Colver .
3,908,831 9/1975 Brendgord .
3,966,286 6/1976 Groseclose .
3,977,558 8/1976 Nilsson .
4,019,793 4/1977 Gerding .
4,054,343 10/1977 Heyland .
4,127,311 11/1978 Weiman .
4,160,323 7/1979 Tracy .
4,351,541 9/1982 Propst et al. .
4,432,591 2/1984 Rinkewich .
4,518,208 5/1985 Marder .
4,550,956 11/1985 Cohn et al. .
4,588,237 5/1986 Marder .
4,627,542 12/1986 Fredrickson .
4,634,194 1/1987 Svoboda .
4,652,062 3/1987 Greenwood .
4,696,522 9/1987 Lowe .

4,706,823 11/1987 Visser .
4,743,040 5/1988 Breveglieri et al. .
4,747,504 5/1988 Wiseman et al. .
4,753,356 6/1988 Nootenboom et al. .
4,790,610 12/1988 Welch et al. .
5,007,688 4/1991 Bayerlein et al. .
5,040,690 8/1991 van der Schoot .
5,069,466 12/1991 Propst .
5,292,029 3/1994 Pearson .

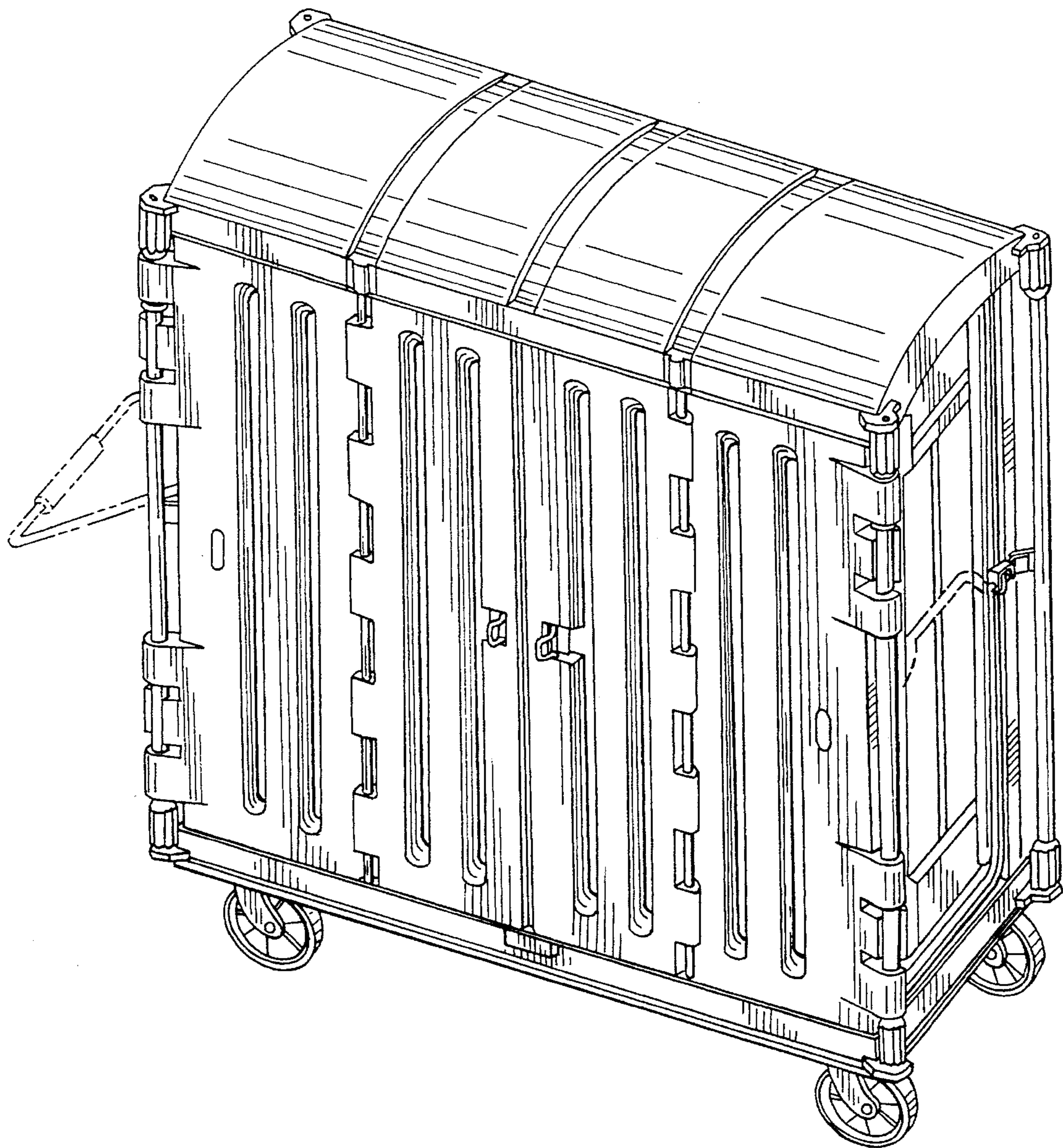
OTHER PUBLICATIONS

The photograph labeled F shows the Milcare Bulk Supply Cart made by Milcare Inc., a subsidiary of Herman Miller, Inc. The cart shown was available to the public prior to the filing of this application.

The photograph labeled G shows the Techni-Quip cart made by Techni-Quip. The cart shown was available to the public prior to the filing of this application.

The photograph labeled H shows the Cari-All/Waterloo cart made by Waterloo. The cart shown was available to the public prior to the filing of this application.

FIG. 1



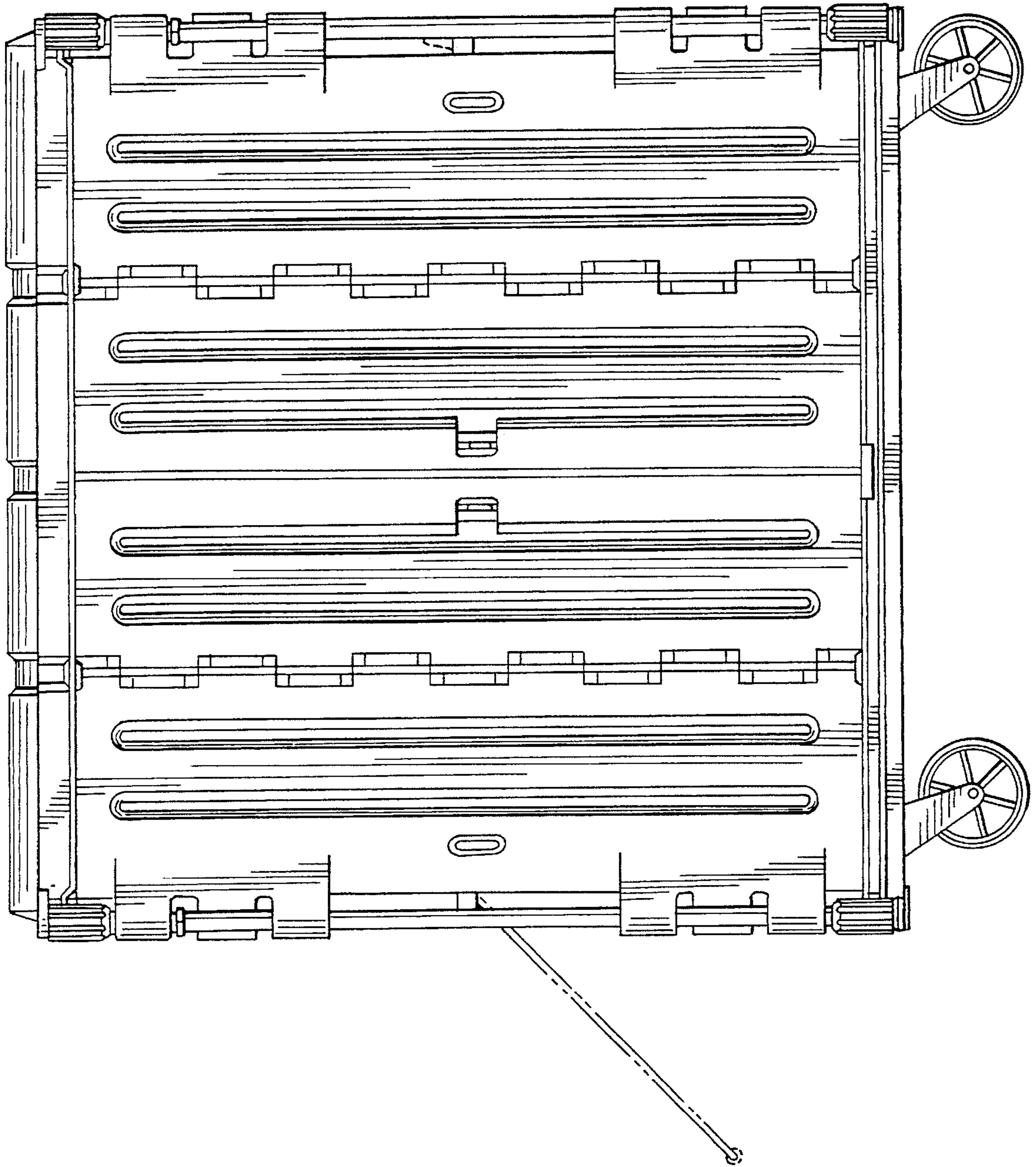


FIG. 2

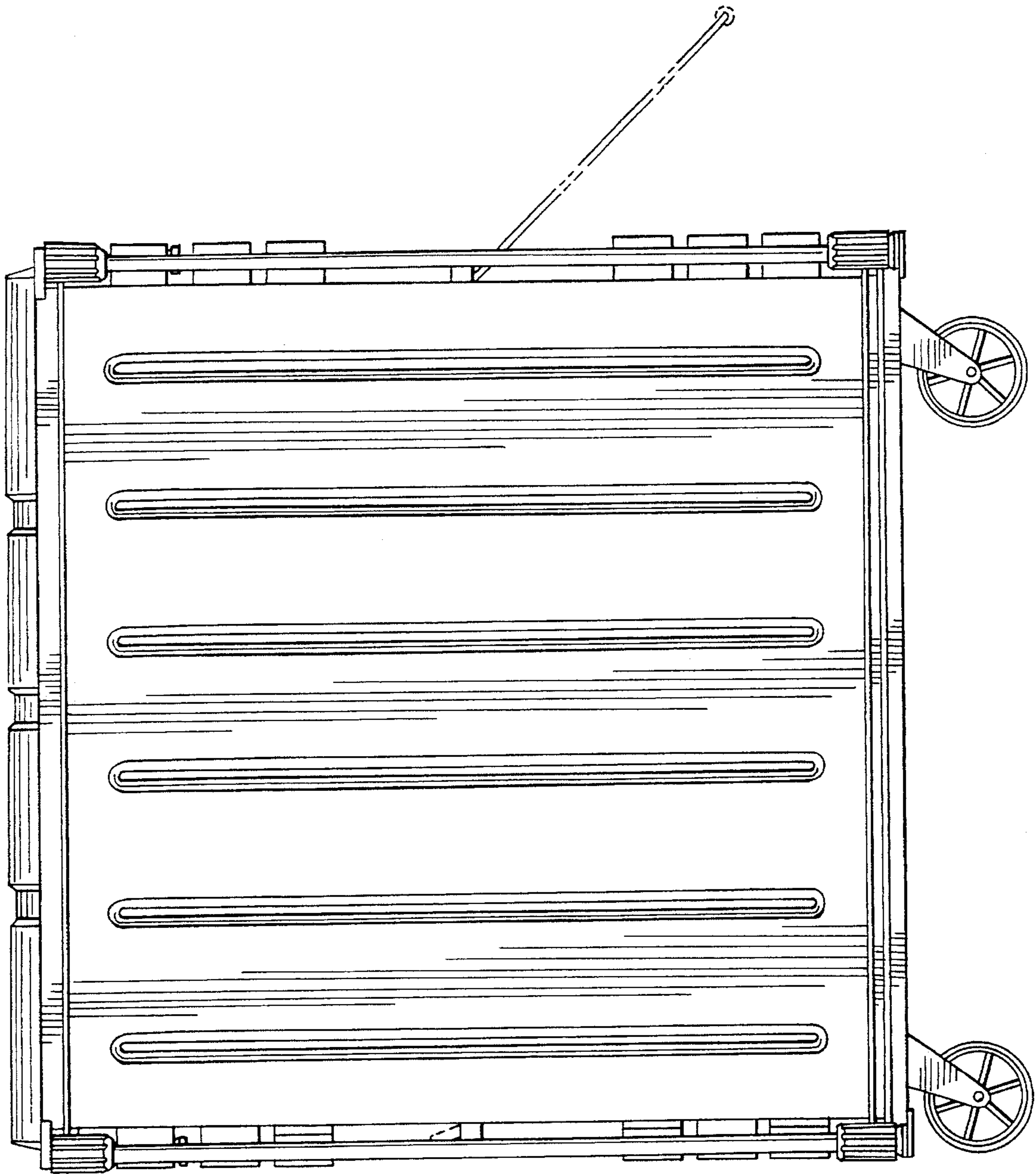


FIG. 3

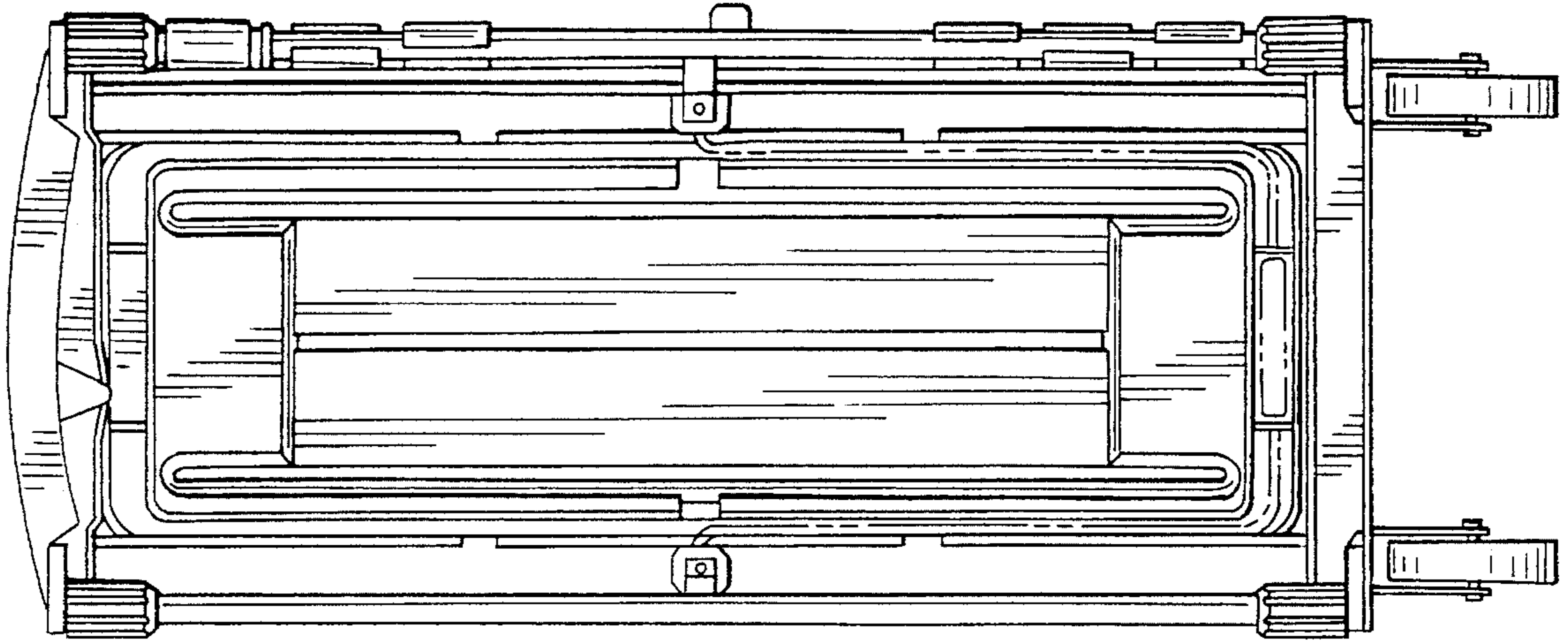


FIG. 5

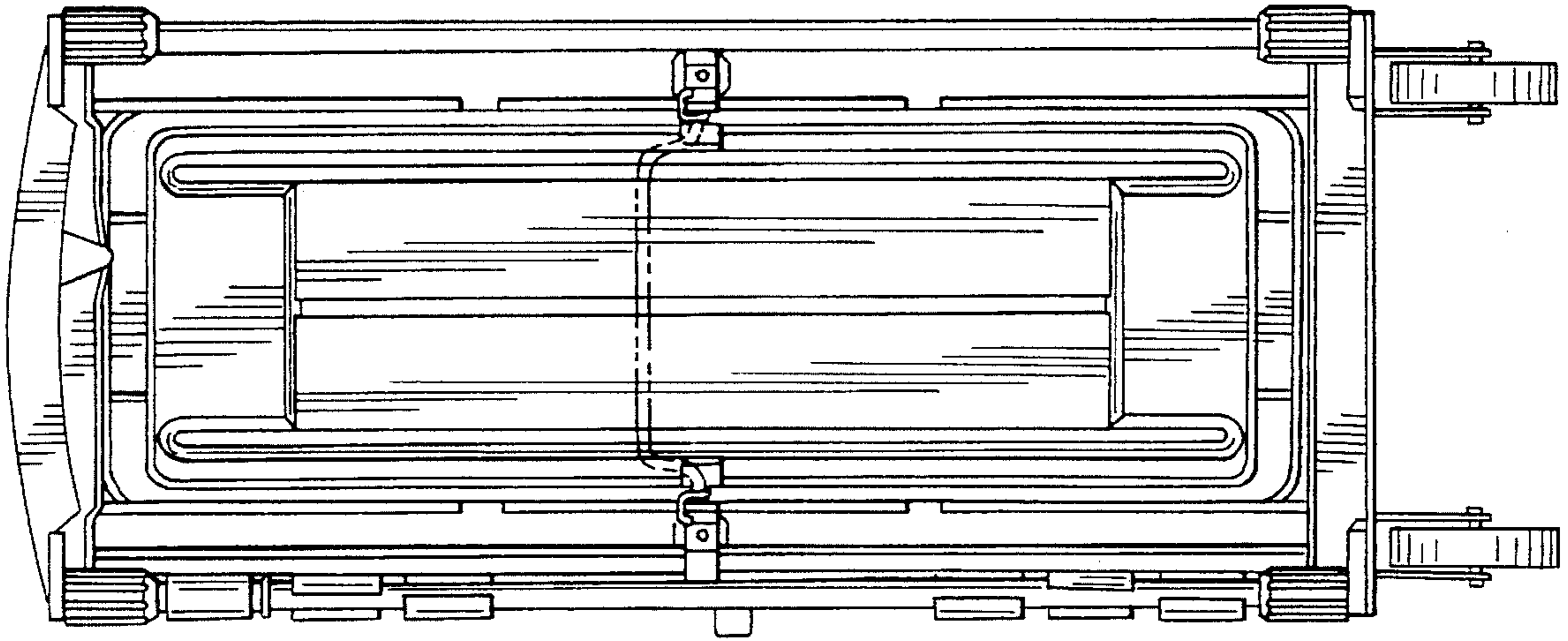


FIG. 4

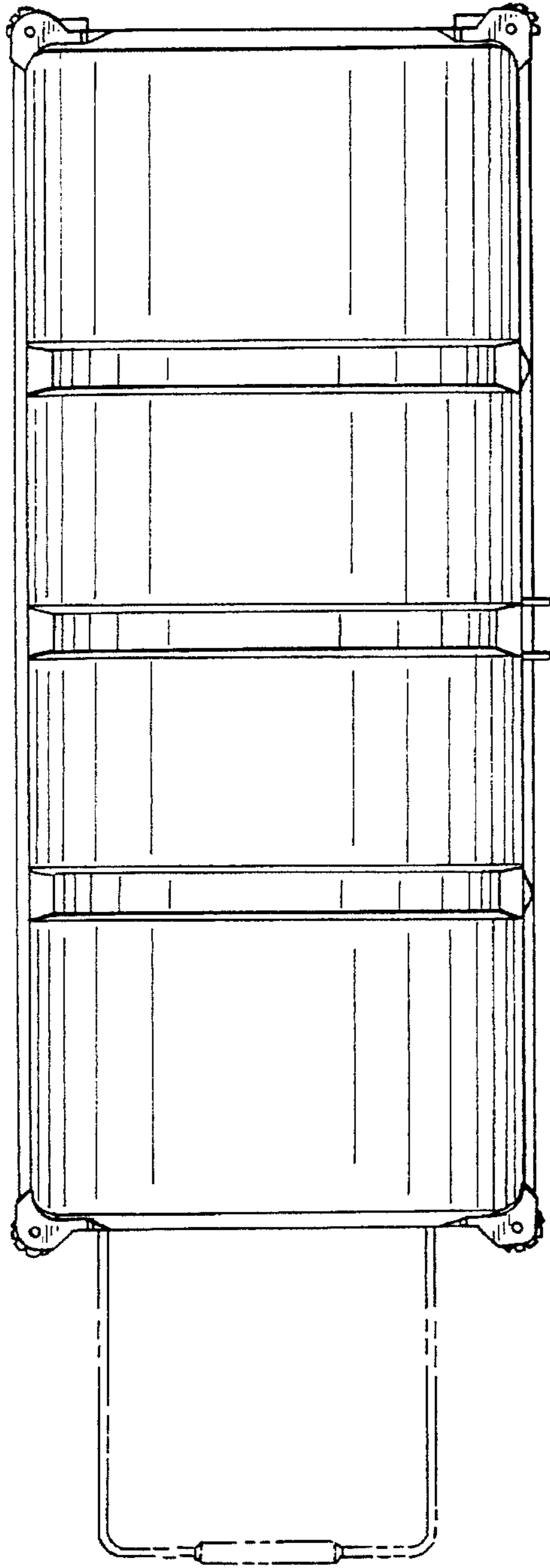


FIG. 6

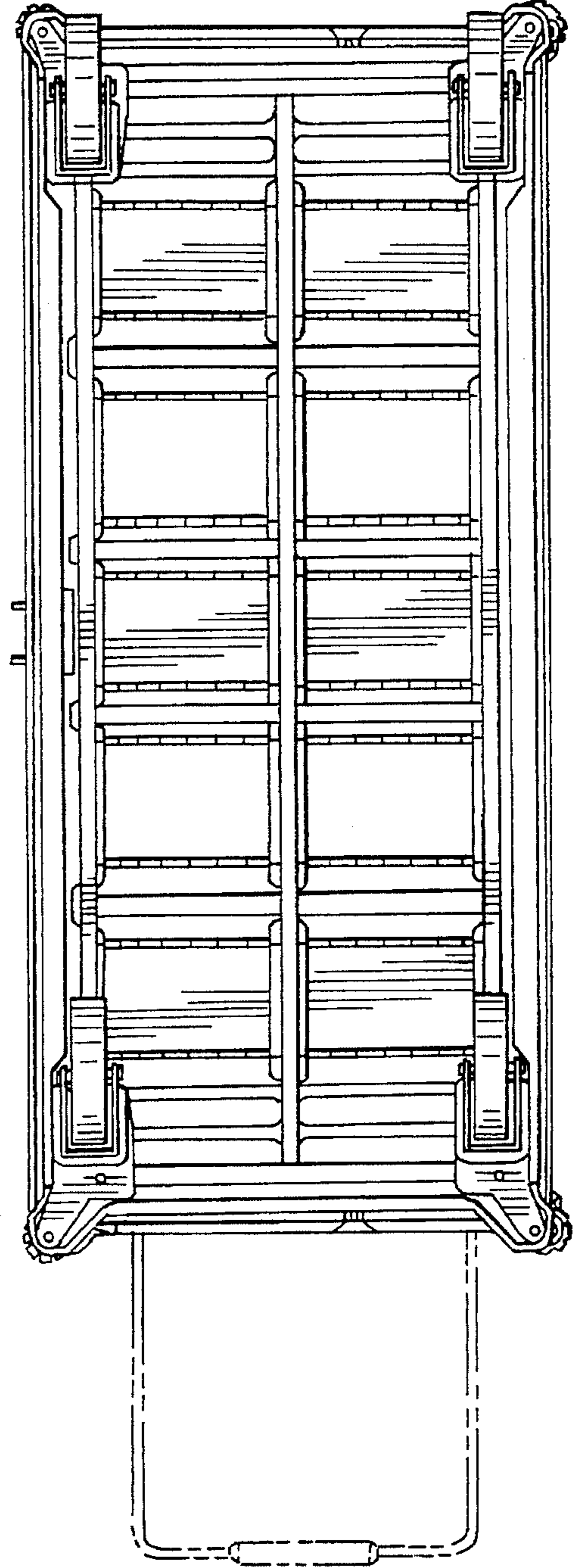


FIG. 7