



US00D367346S

United States Patent [19]
Young

[11] **Patent Number: Des. 367,346**

[45] **Date of Patent: **Feb. 20, 1996**

[54] **GOLF CART**

[76] Inventor: **Horace J. Young**, #100, 1100 - 8th Avenue SW., Calgary, Alberta, Canada, T2P 3TP

[**] Term: **14 Years**

[21] Appl. No.: **31,891**

[22] Filed: **Dec. 8, 1994**

[52] **U.S. Cl.** **D34/15**

[58] **Field of Search** D34/15, 24; 280/DIG. 5, 280/DIG. 6, 645, 47.26, 47.31; 180/19.1

1,790,711 2/1931 Johnston D34/24
2,957,700 10/1960 Beurline D34/15
4,887,835 12/1989 Dallaire et al. 280/DIG. 6
5,167,389 12/1992 Reimers 280/DIG. 6

Primary Examiner—A. Hugo Word
Assistant Examiner—M. Brown
Attorney, Agent, or Firm—George H. Dunsmuir

[56] **References Cited**

U.S. PATENT DOCUMENTS

D. 292,639	11/1987	Kean et al.	D34/15
D. 301,789	6/1989	Tomoda	D34/15
D. 335,567	5/1993	Young	280/DIG. 6
D. 354,501	1/1995	Dunkle	D34/24
D. 356,410	3/1995	Cole	D34/15
D. 362,103	9/1995	Schnoll	D34/15
D. 362,527	9/1995	Arriyori	D34/15

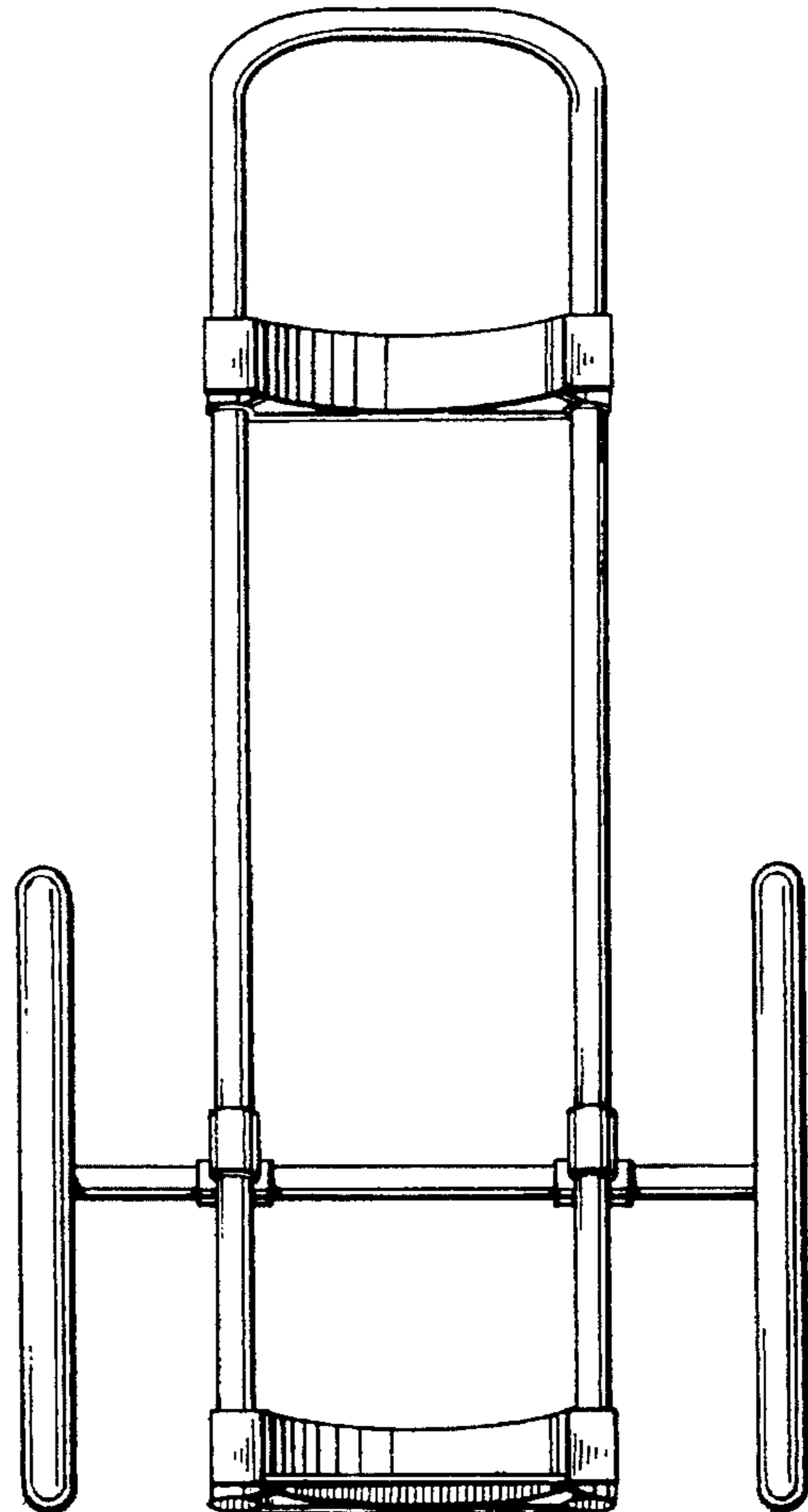
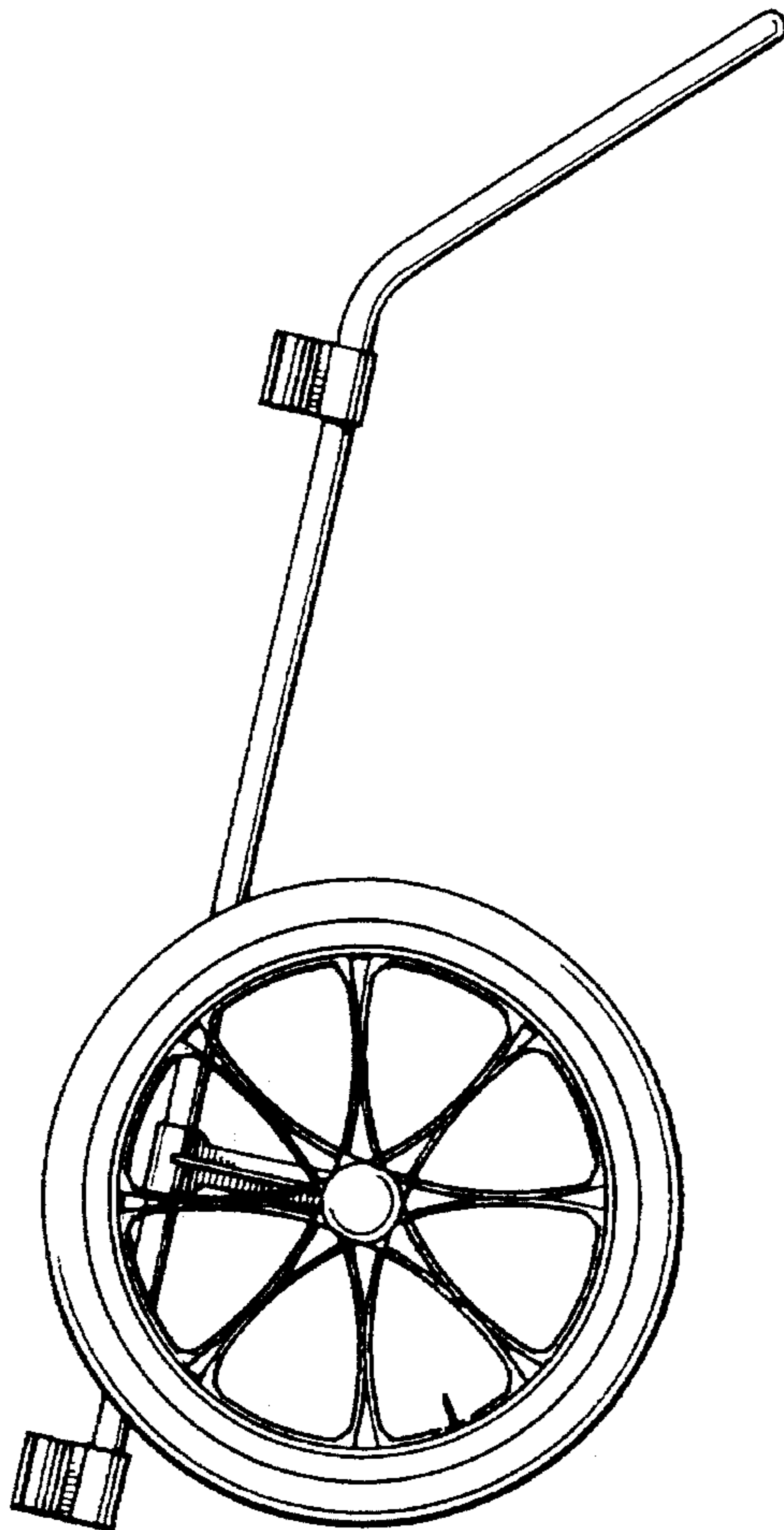
[57] **CLAIM**

The ornamental design for a golf cart, as shown and described.

DESCRIPTION

FIG. 1 is a left side elevational view of the golf cart according to my design;
FIG. 2 is a front elevational view of the golf cart according to my design;
FIG. 3 is a front elevational view thereof;
FIG. 4 is a rear elevational view of thereof;
FIG. 5 is a top plan view thereof; and,
FIG. 6 is a bottom plan view thereof.

1 Claim, 2 Drawing Sheets



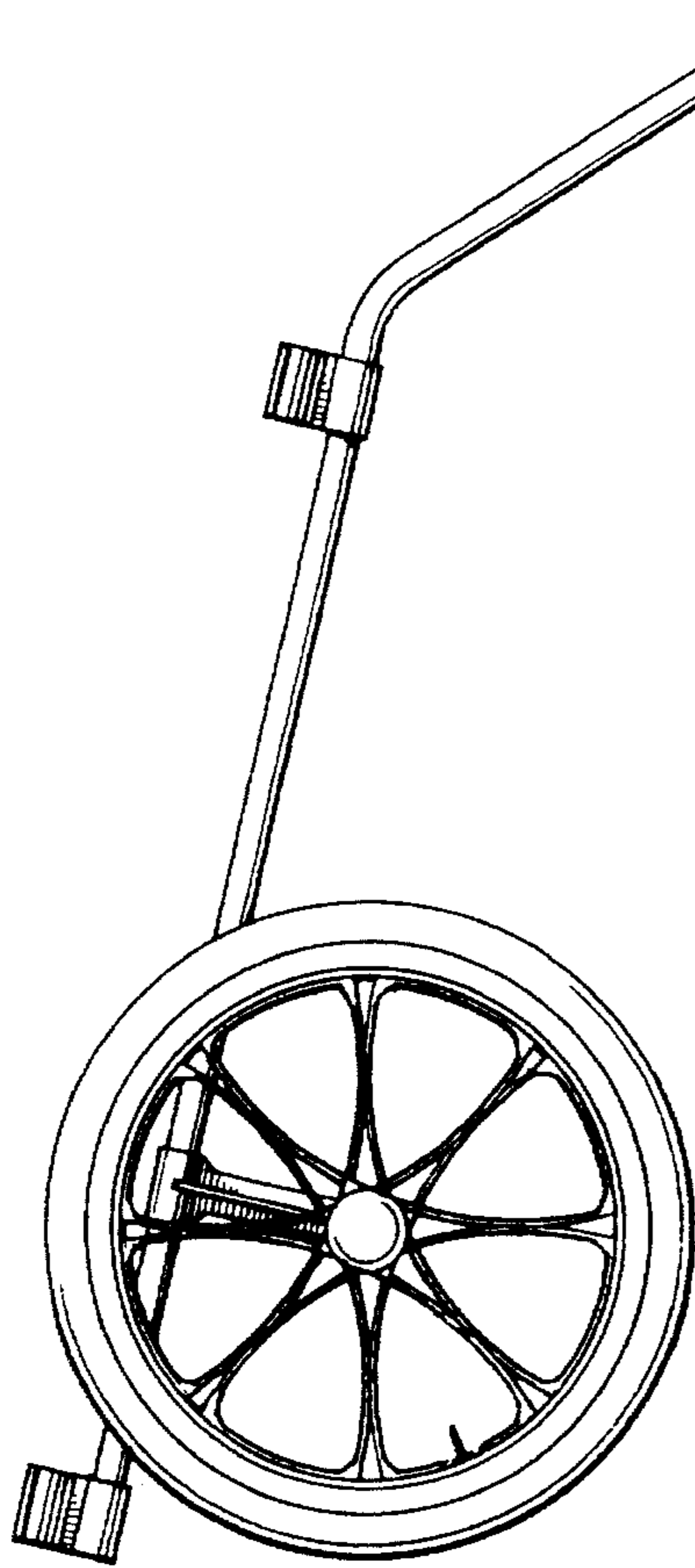


FIG. 1

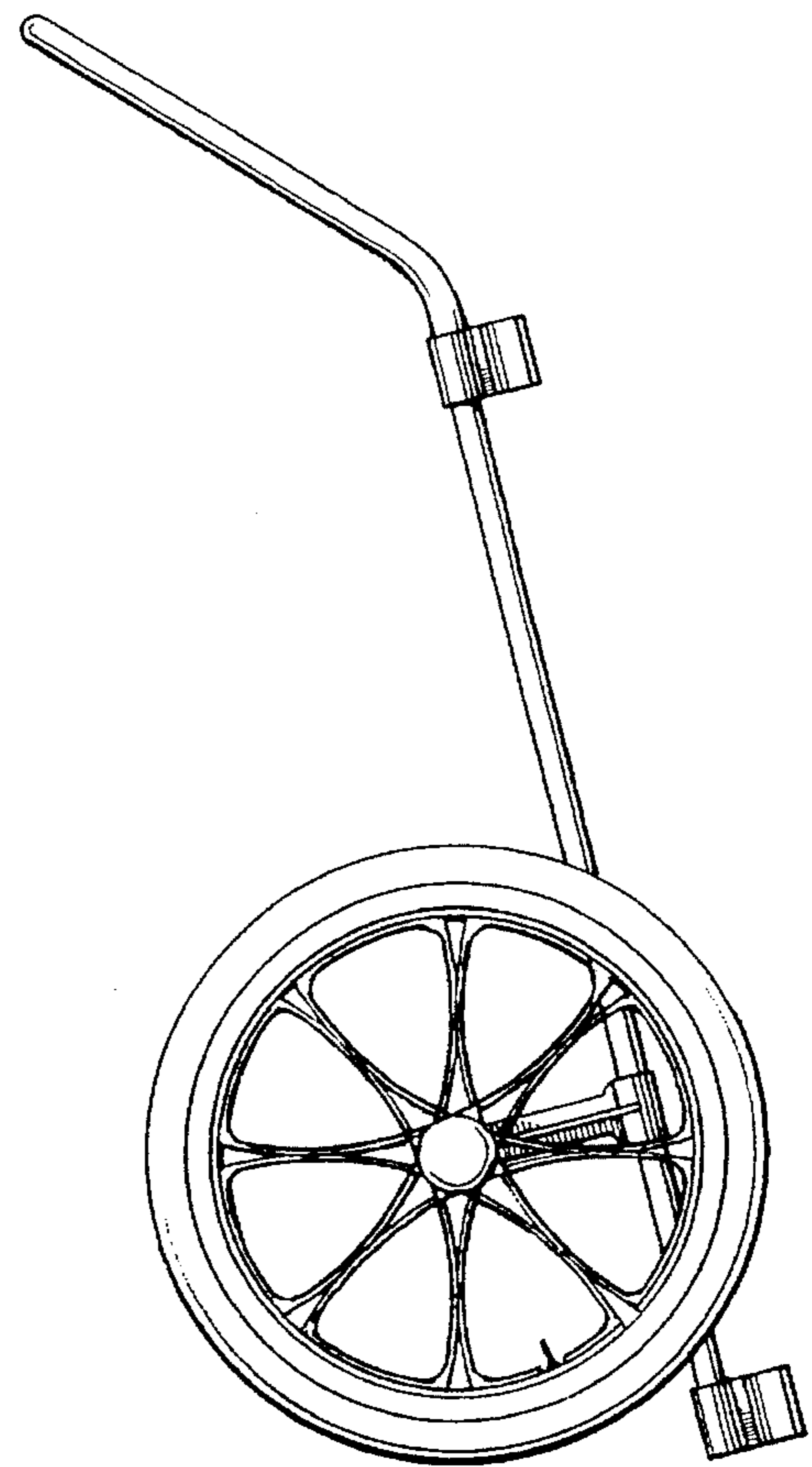


FIG. 2

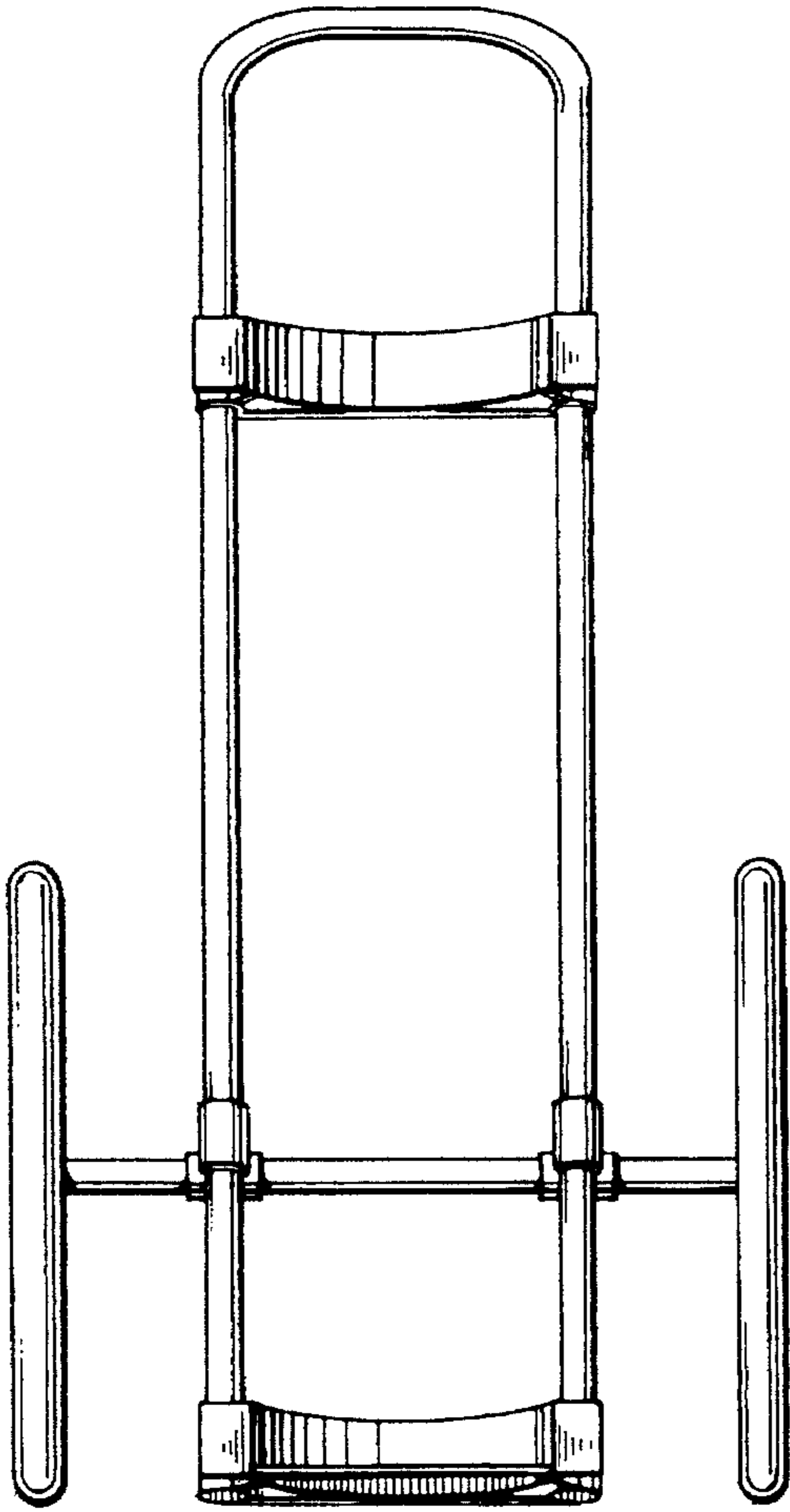


FIG. 3

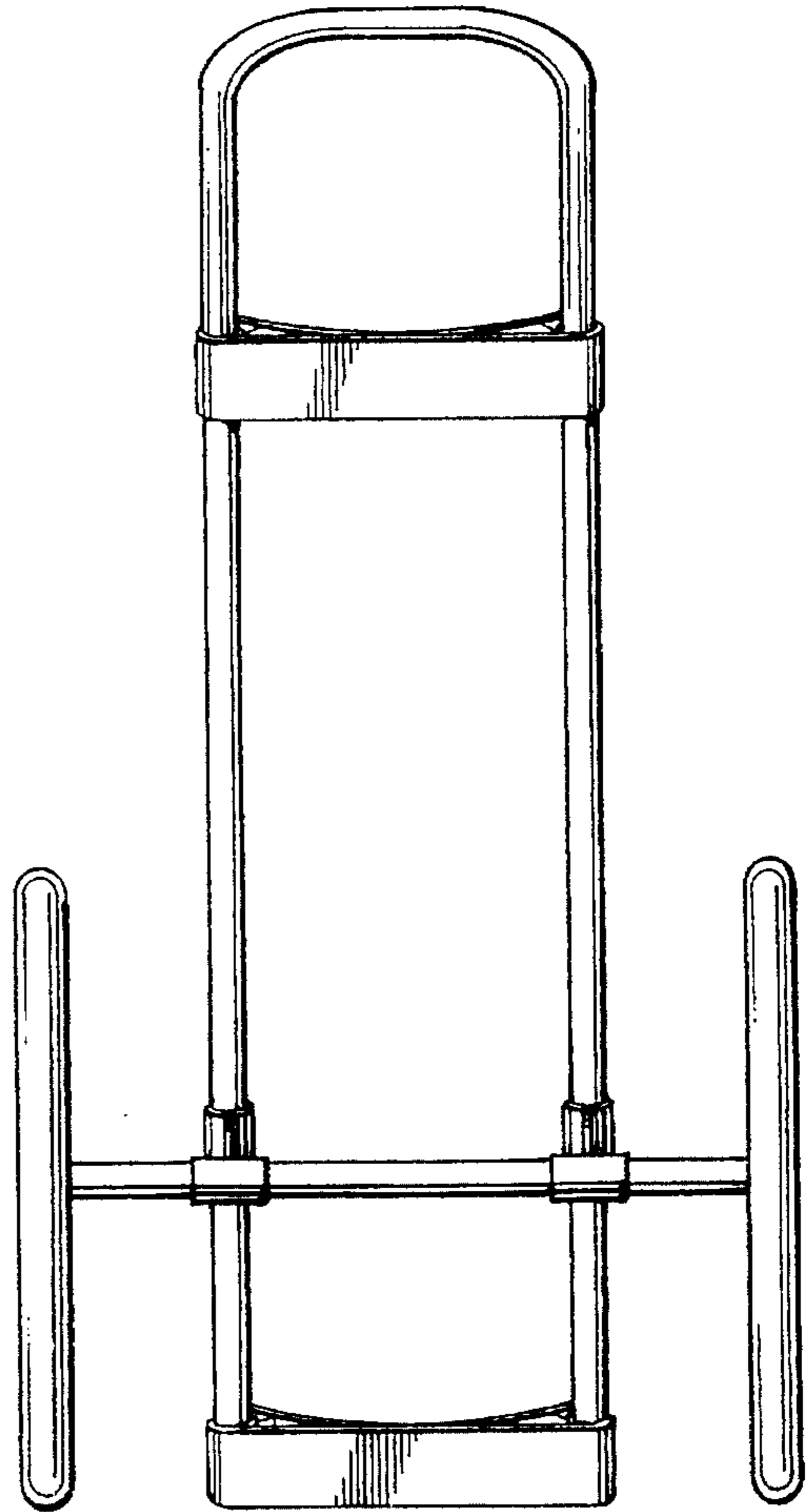


FIG. 4

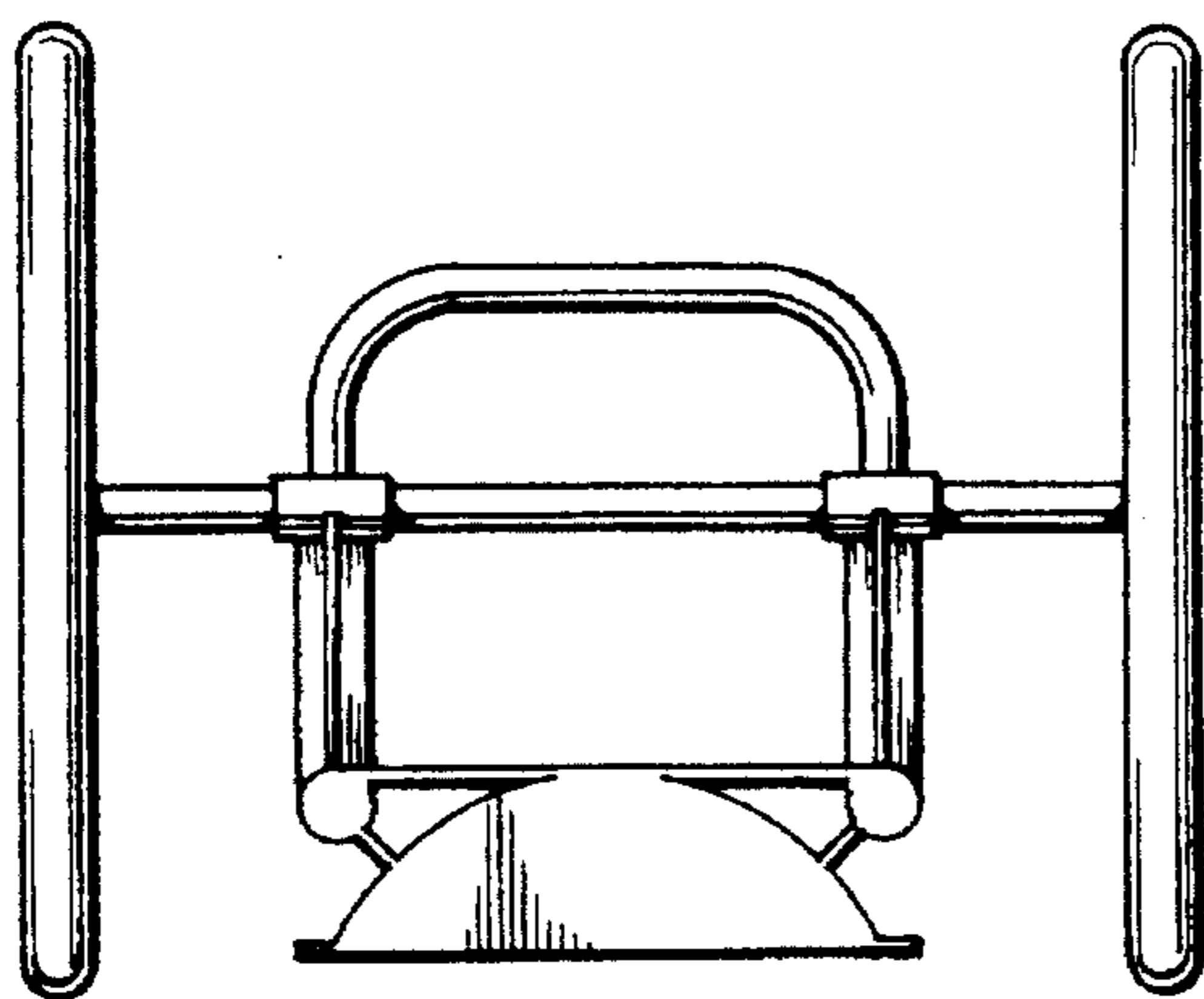


FIG. 5

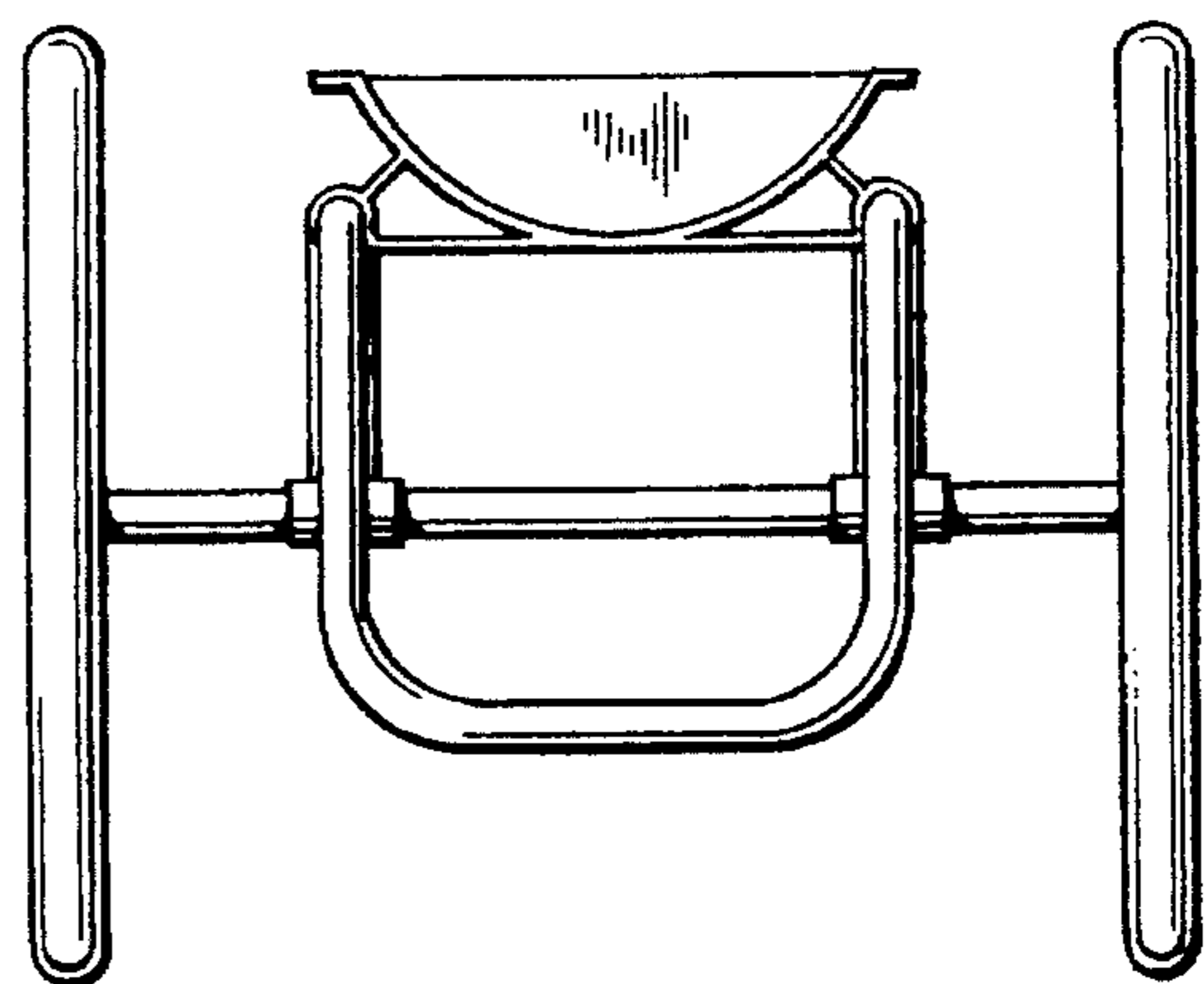


FIG. 6