



US00D367344S

United States Patent [19]

Kruse

[11] **Patent Number: Des. 367,344**

[45] **Date of Patent: **Feb. 20, 1996**

[54] **HAND TOOL**

[76] Inventor: **Robert A. Kruse**, 38 John Davies Street, Woodstock, Ontario N4T 1N3, Canada

[**] Term: **14 Years**

[21] Appl. No.: **14,238**

[22] Filed: **Oct. 18, 1993**

[52] U.S. Cl. **D32/49**

[58] **Field of Search** D32/40, 41, 46, D32/49, 48, 52; 15/121, 236.01, 236.02, 245, 245.1; 30/169, 171, 172

[56] **References Cited**

U.S. PATENT DOCUMENTS

D. 157,904	3/1950	Reusch	D32/49	X
D. 298,300	11/1988	Leray	D32/49	X
D. 343,265	11/1994	Pollak et al.	D32/41	
4,654,919	4/1987	Liberman	15/245	X

Primary Examiner—Susan J. Lucas
Assistant Examiner—Cynthia E. Ramirez

[57] **CLAIM**

The ornamental design for a hand tool, as shown and described.

DESCRIPTION

FIG. 1 is a perspective illustration of the said industrial design;

FIG. 2 is a top plan of the said industrial design;

FIG. 3 is a front elevation of the said industrial design;

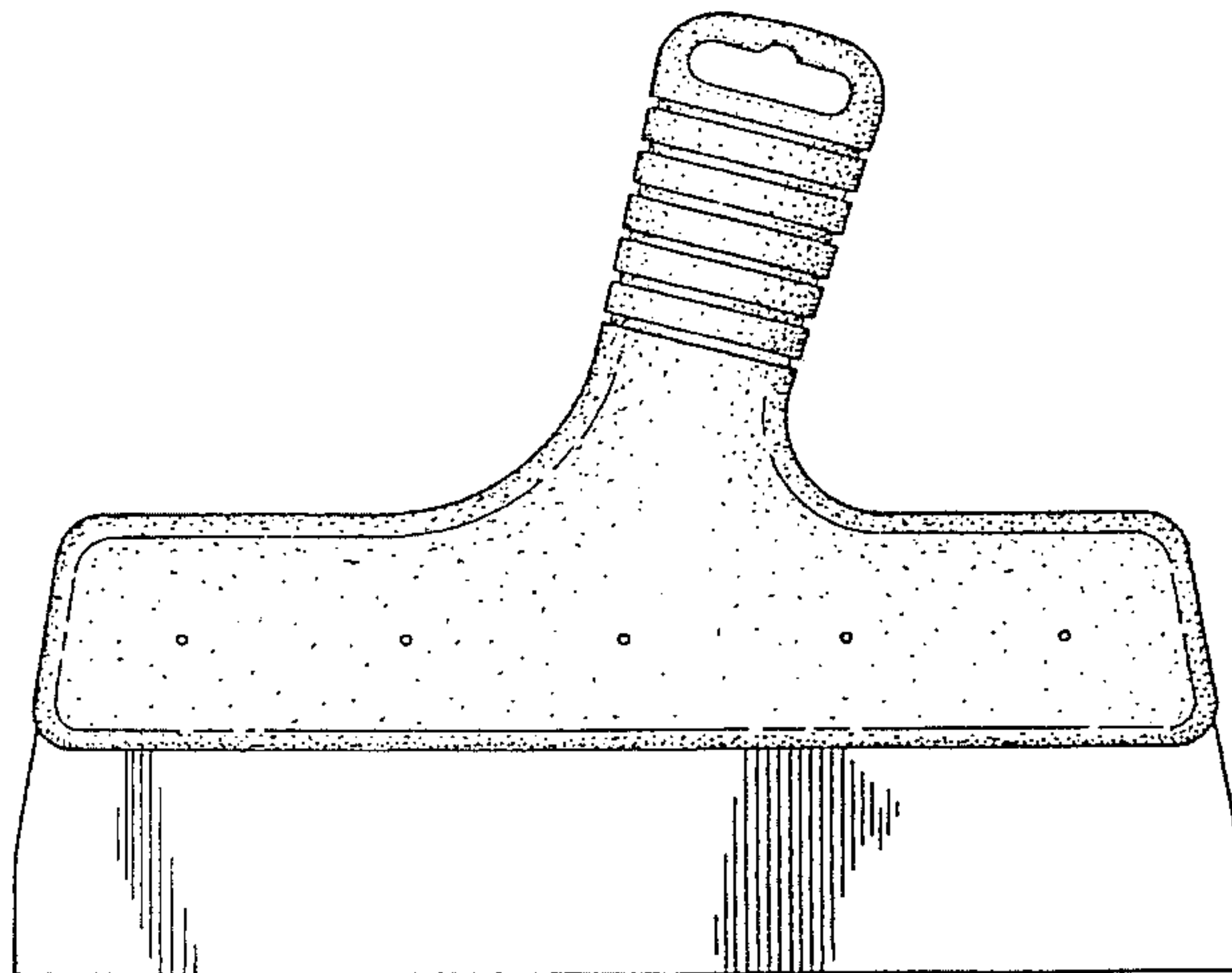
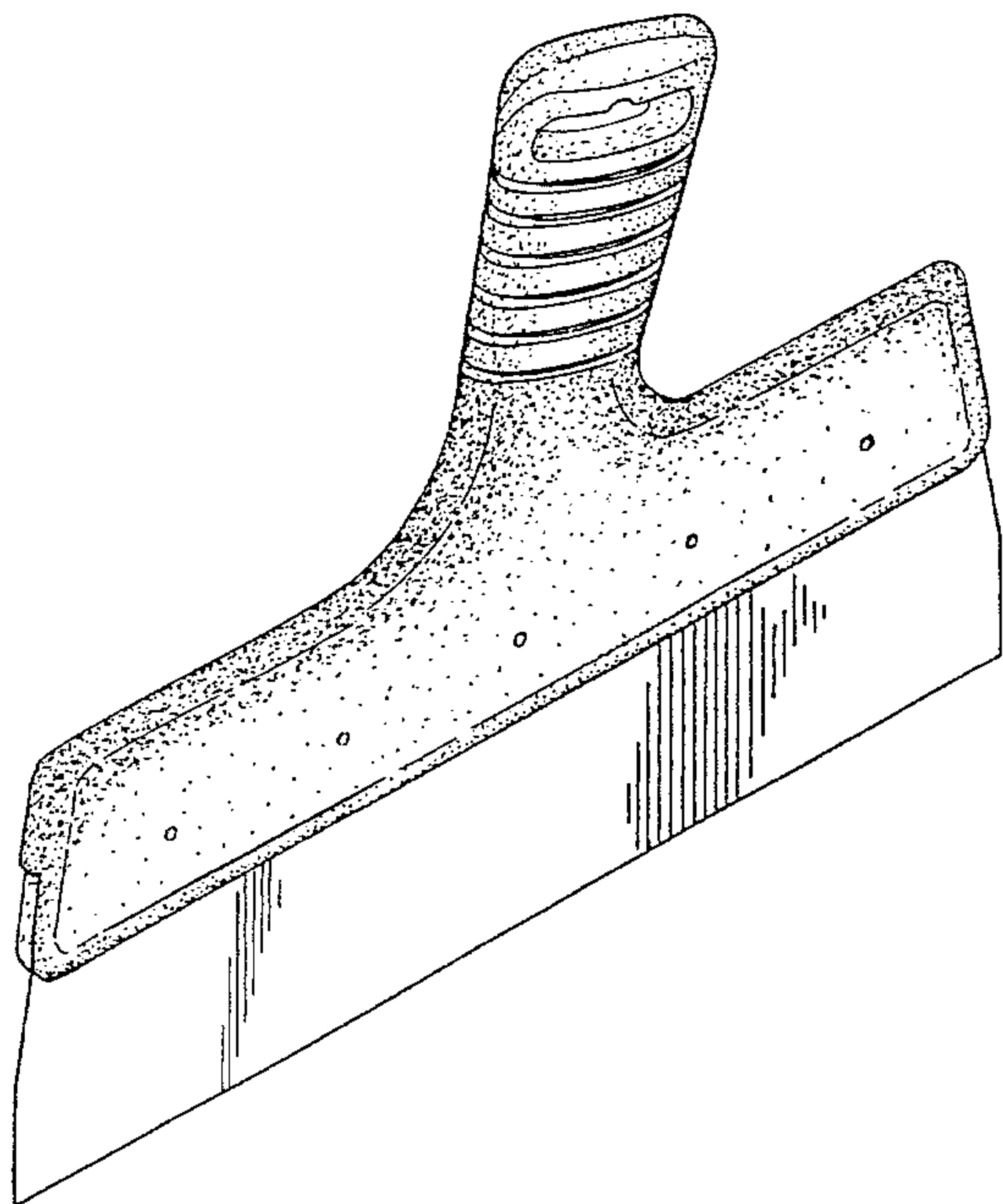
FIG. 4 is a bottom plan of the said industrial design;

FIG. 5 is an end elevation of one end of the said industrial design;

FIG. 6 is a back elevation of the said industrial design; and,

FIG. 7 is an end elevation of the said industrial design (opposite to FIG. 5).

1 Claim, 3 Drawing Sheets



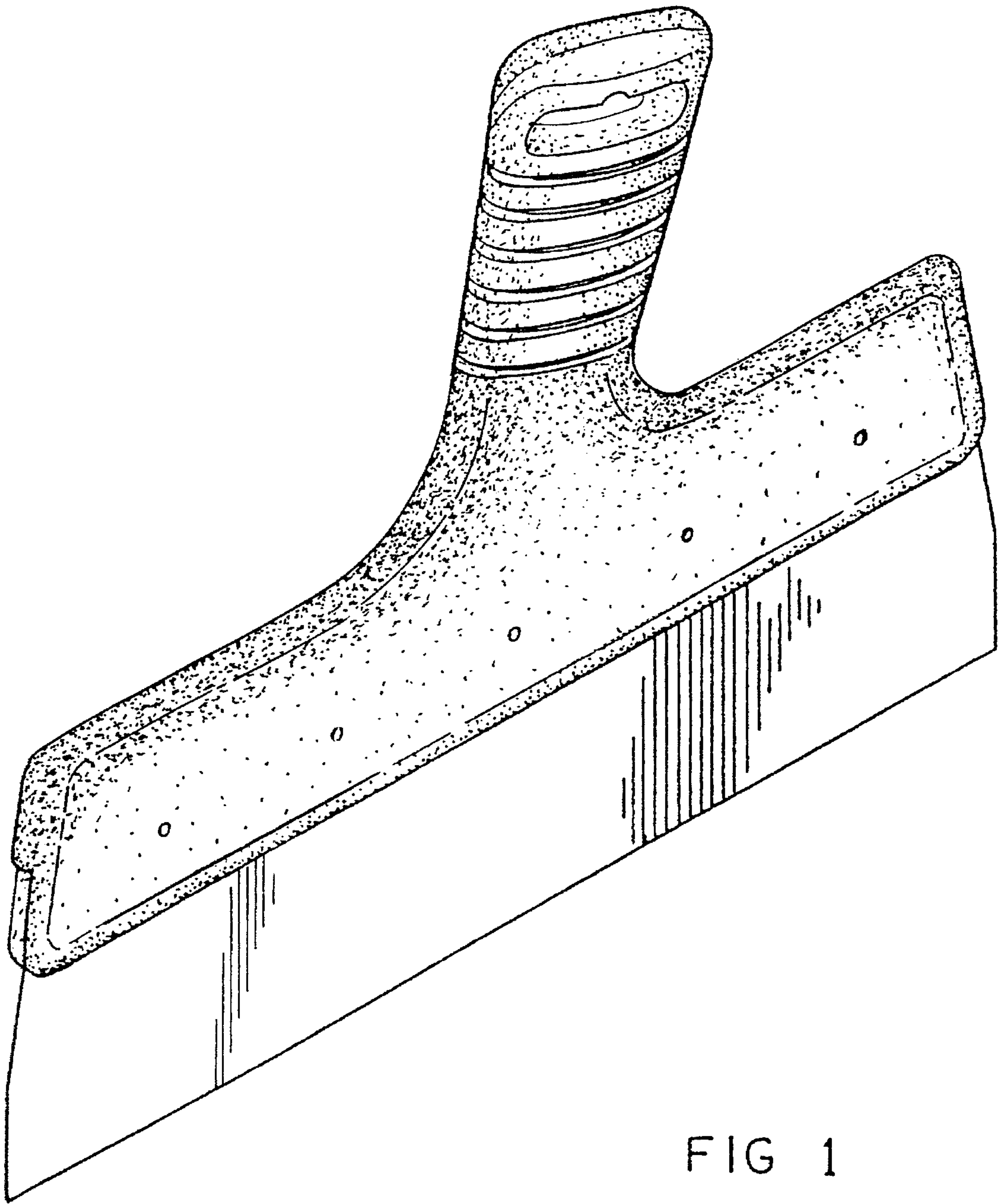


FIG 1



FIG. 2

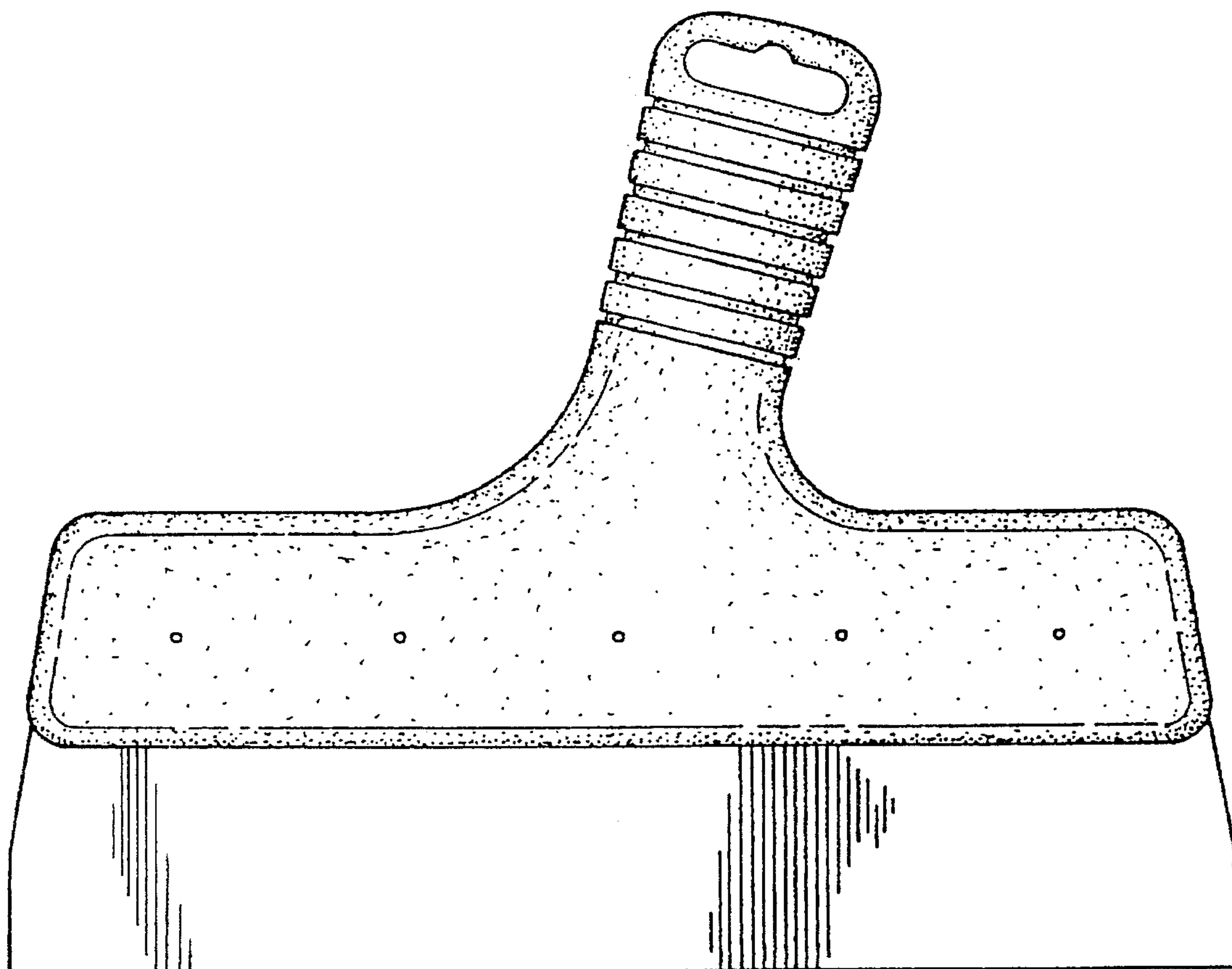


FIG. 3

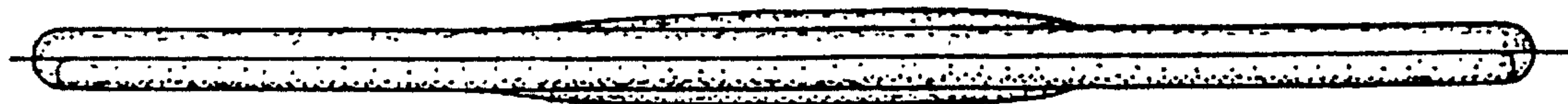


FIG. 4

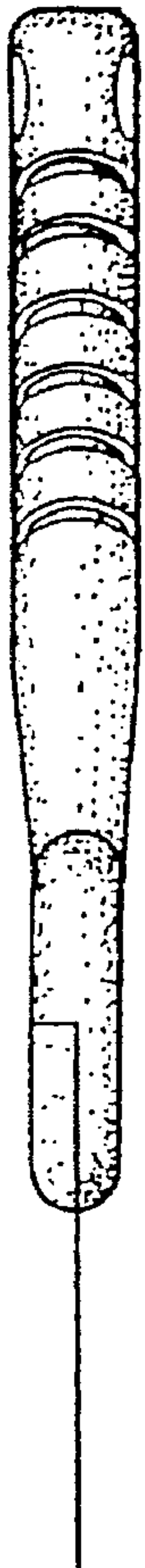


FIG. 5

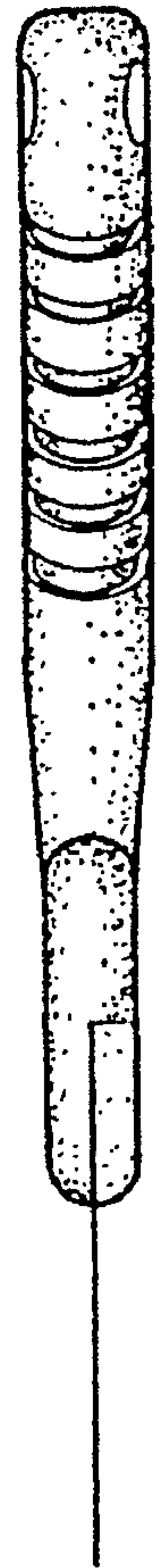


FIG. 7

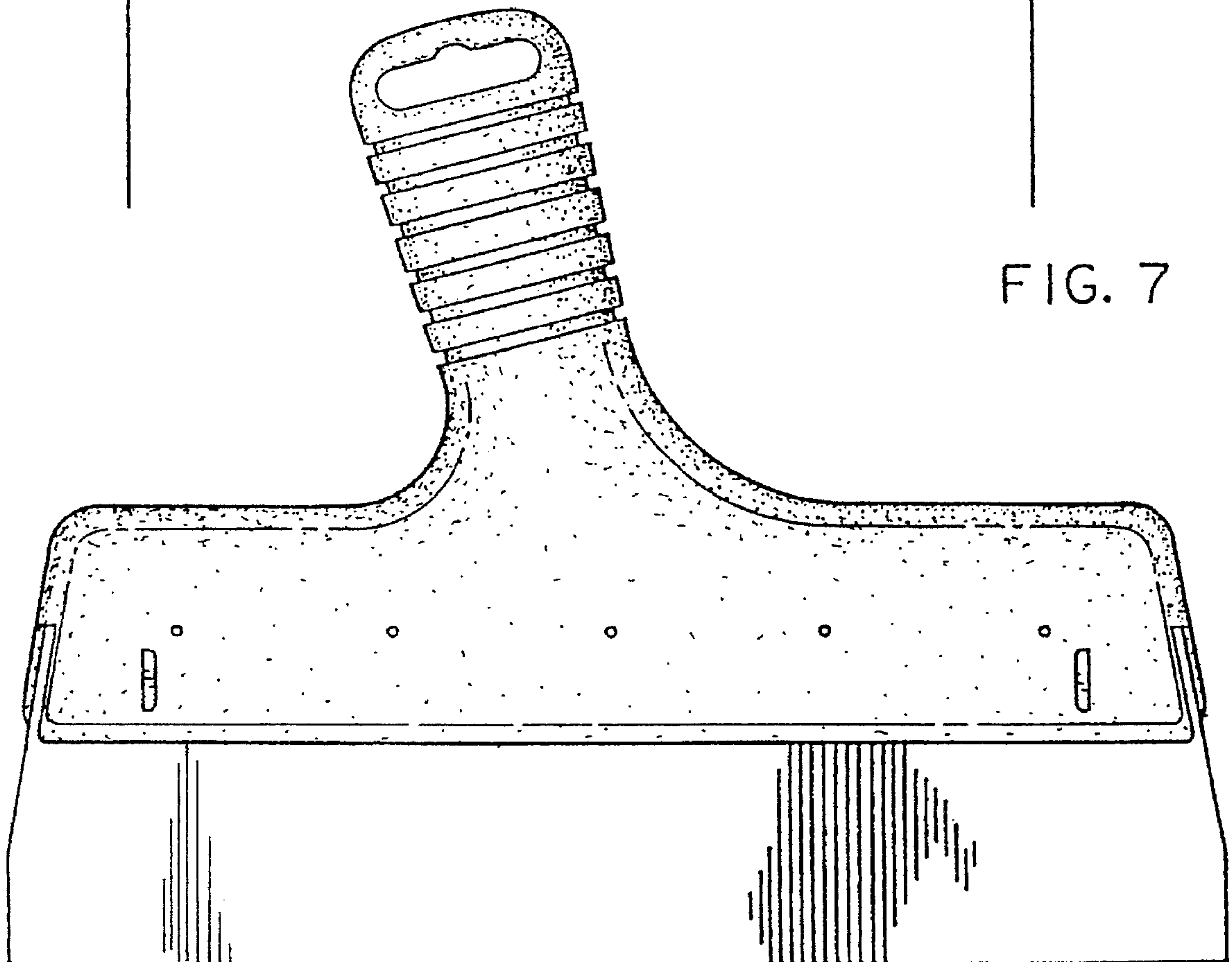


FIG. 6