



US00D367336S

**United States Patent** [19]  
**Hung**

[11] **Patent Number: Des. 367,336**

[45] **Date of Patent: \*\*Feb. 20, 1996**

[54] **COMBINED DESK LAMP AND COMPACT DISK RACK**

[76] Inventor: **Chih-Chang Hung**, No. 78, Lane 55, Ke-Chuang Rd., Ching-Shui Chen, Taichung Hsien, Taiwan

[\*\*] Term: **14 Years**

[21] Appl. No.: **36,339**

[22] Filed: **Mar. 17, 1994**

[52] **U.S. Cl.** ..... **D26/106; D26/93**

[58] **Field of Search** ..... **D26/93, 102-112; 362/410-414**

[56] **References Cited**

**U.S. PATENT DOCUMENTS**

D. 155,340	9/1949	Frisbre	.....	D26/93
D. 344,360	2/1994	Yeh	.....	D26/106
D. 358,678	5/1995	Lundquist et al.	.....	D26/106
D. 360,276	7/1995	Lindquist et al.	.....	D26/106

*Primary Examiner*—Kay H. Chin  
*Attorney, Agent, or Firm*—Kirschstein Ottinger Israel and Schiffmiller

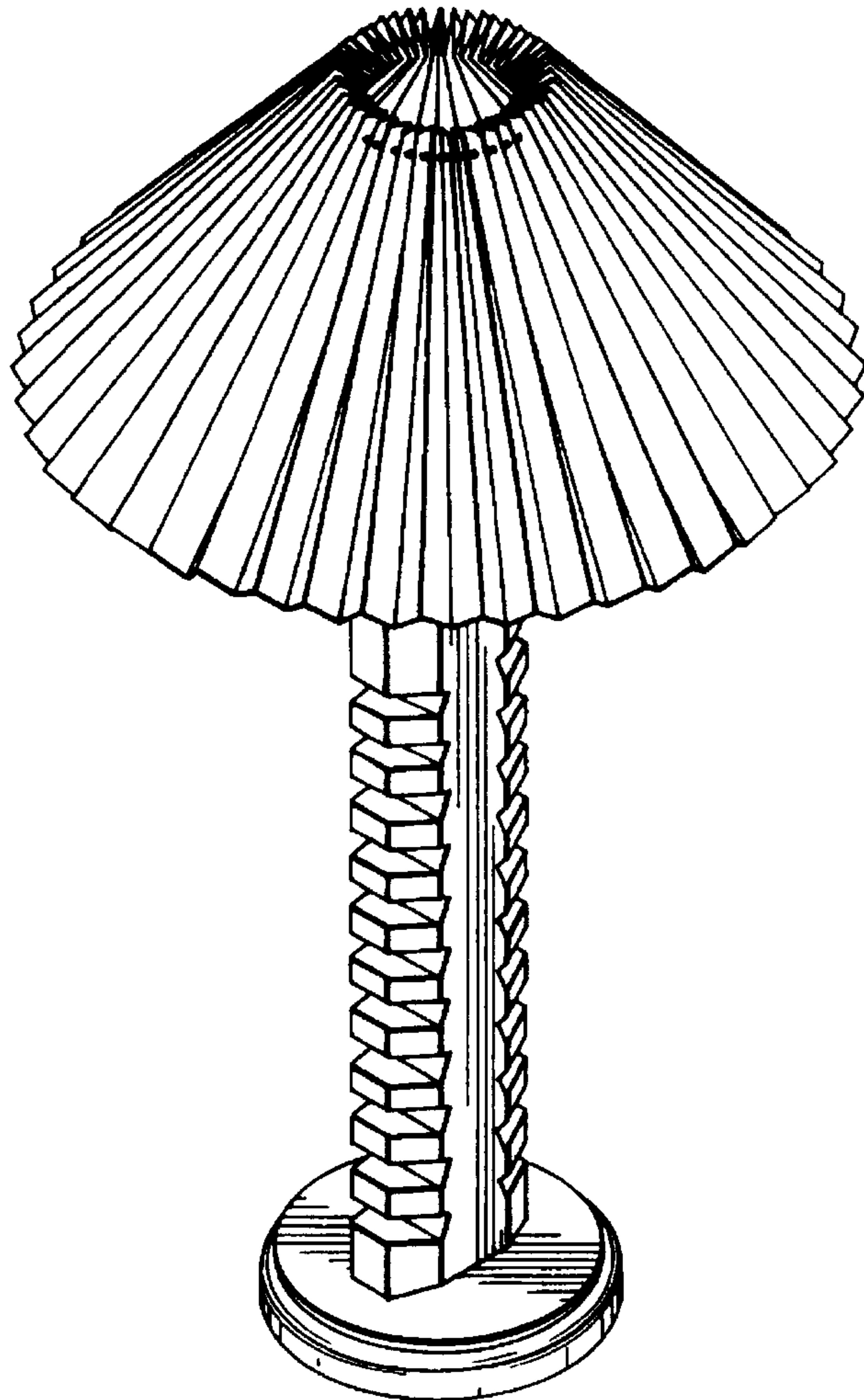
[57] **CLAIM**

The ornamental design for combined desk lamp and compact disk rack, as shown and described.

**DESCRIPTION**

FIG. 1 is a perspective view of combined desk lamp and compact disc rack showing my new design; FIG. 2 is a front elevational view thereof; FIG. 3 is a rear elevational view thereof; FIG. 4 is a left side elevational view thereof; FIG. 5 is a right side elevational view thereof; FIG. 6 is a top plan view thereof; FIG. 7 is a bottom plan view thereof; and, FIG. 8 is a perspective view thereof when in use.

**1 Claim, 5 Drawing Sheets**



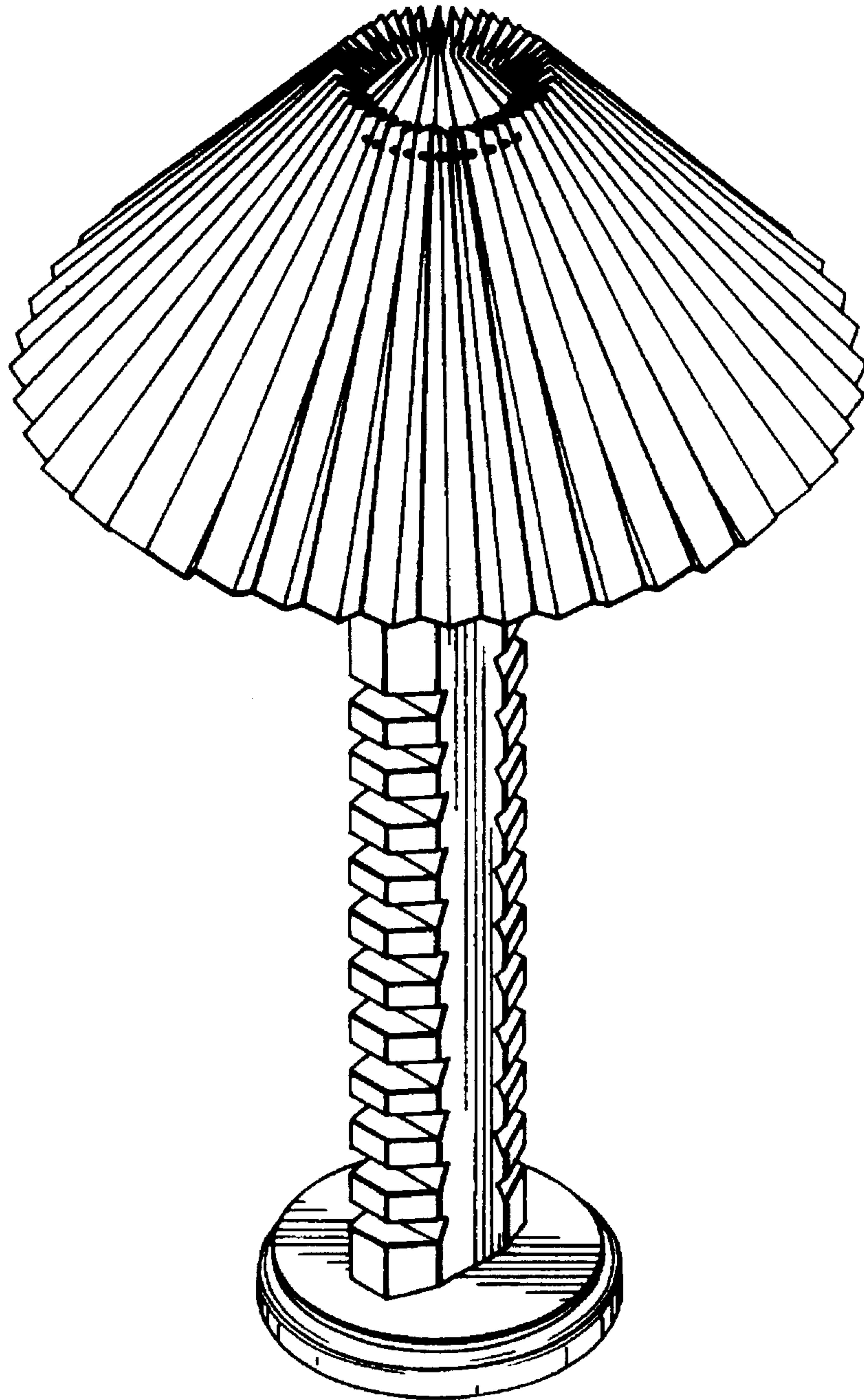


FIG. 1

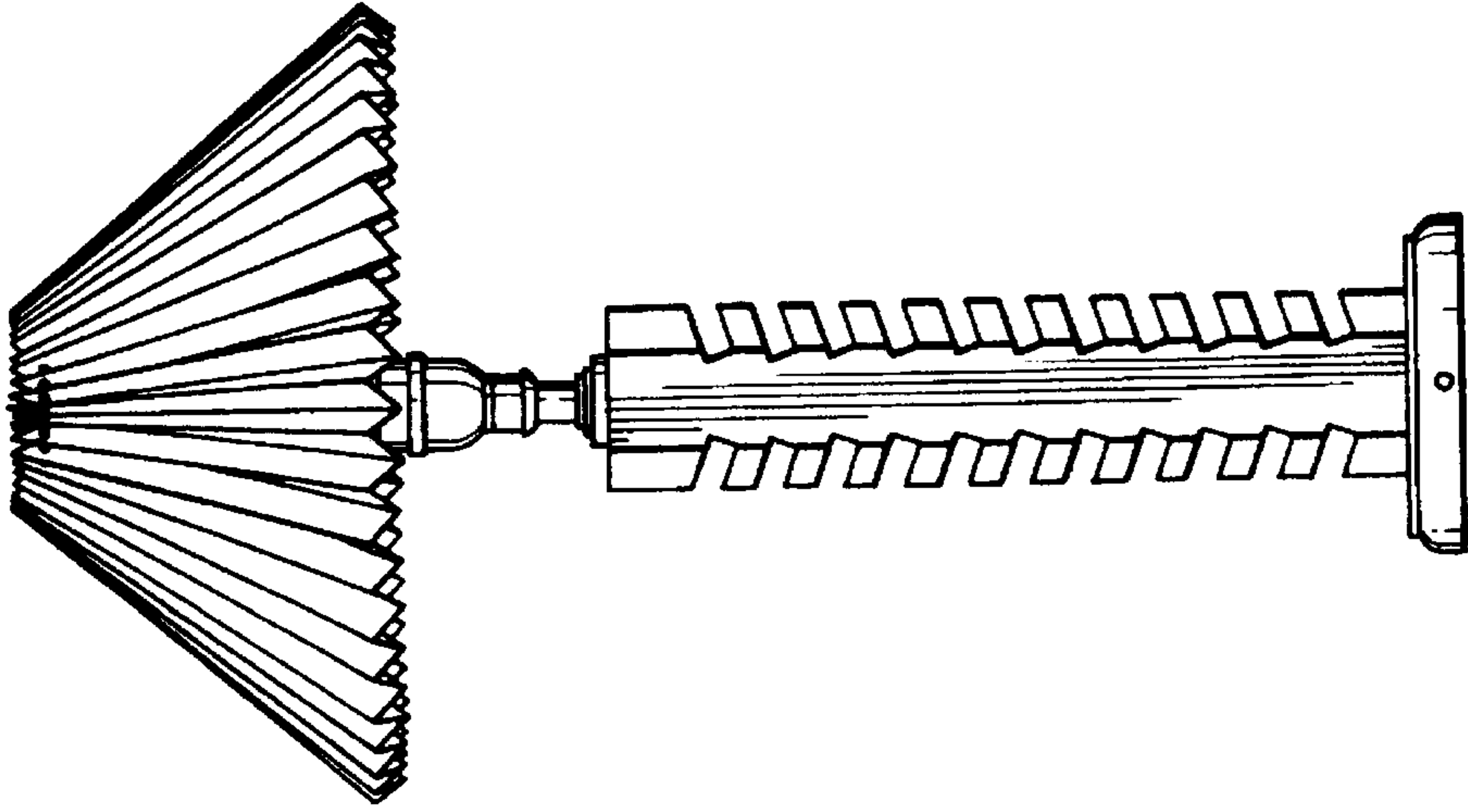


FIG. 3

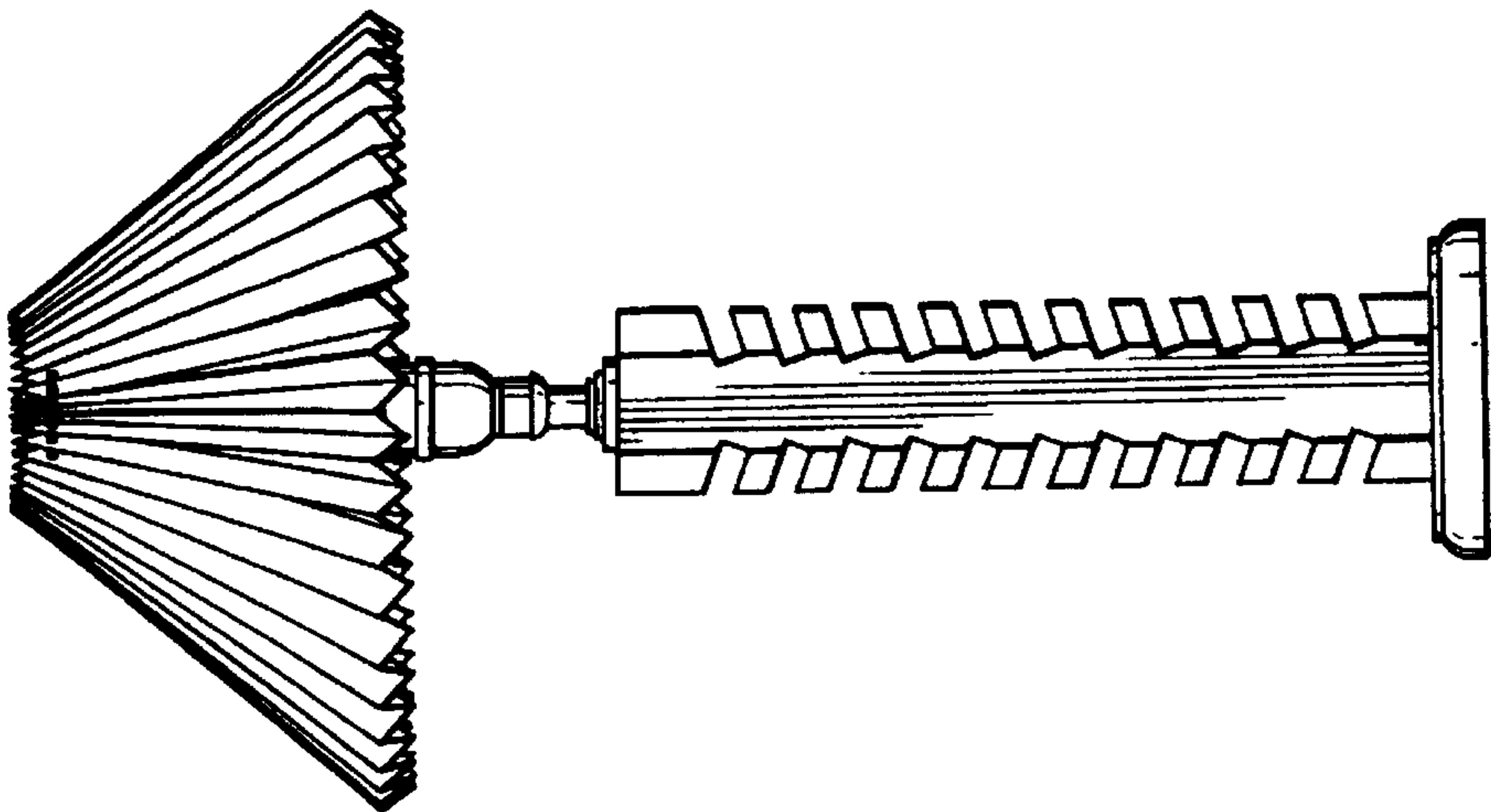


FIG. 2

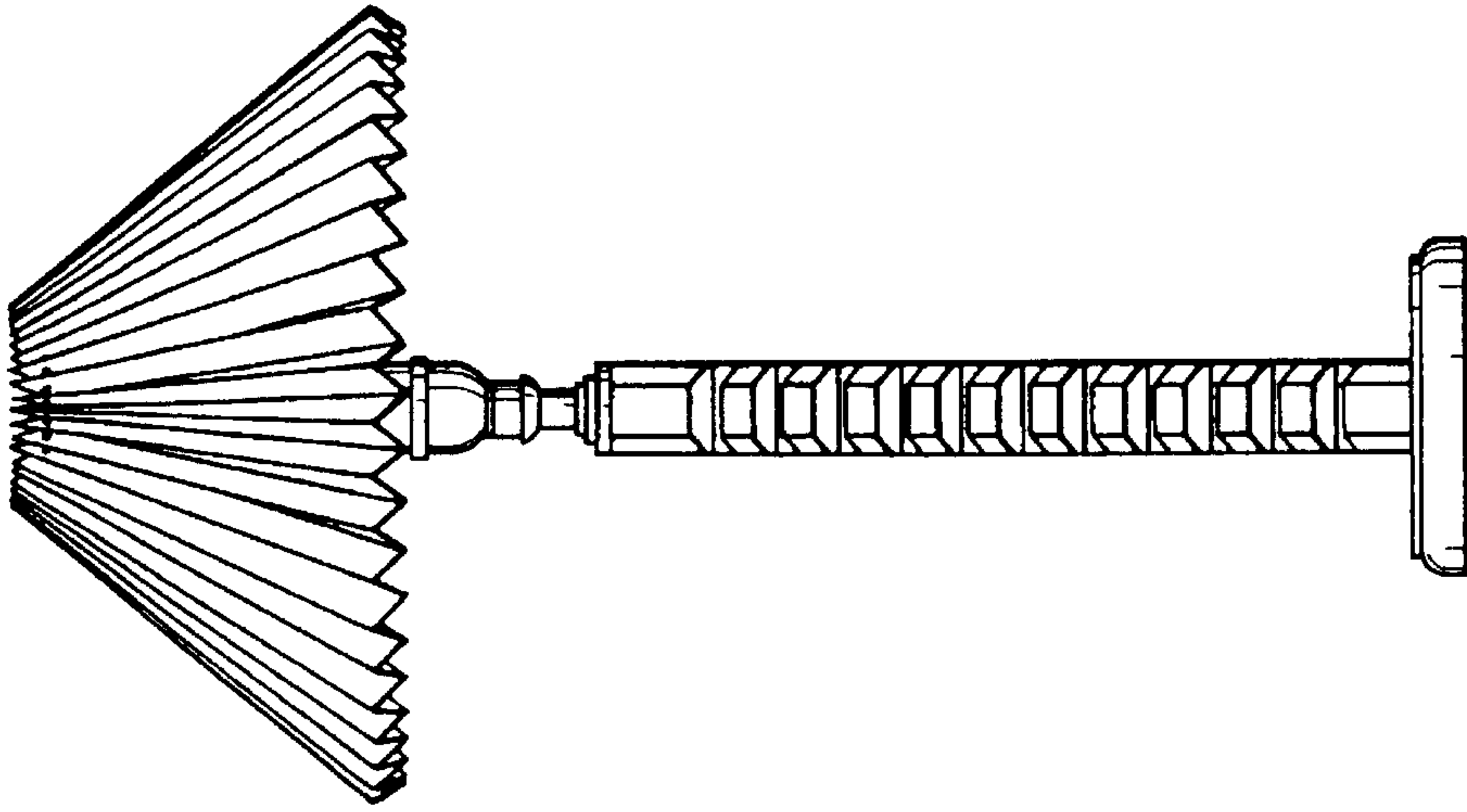


FIG. 5

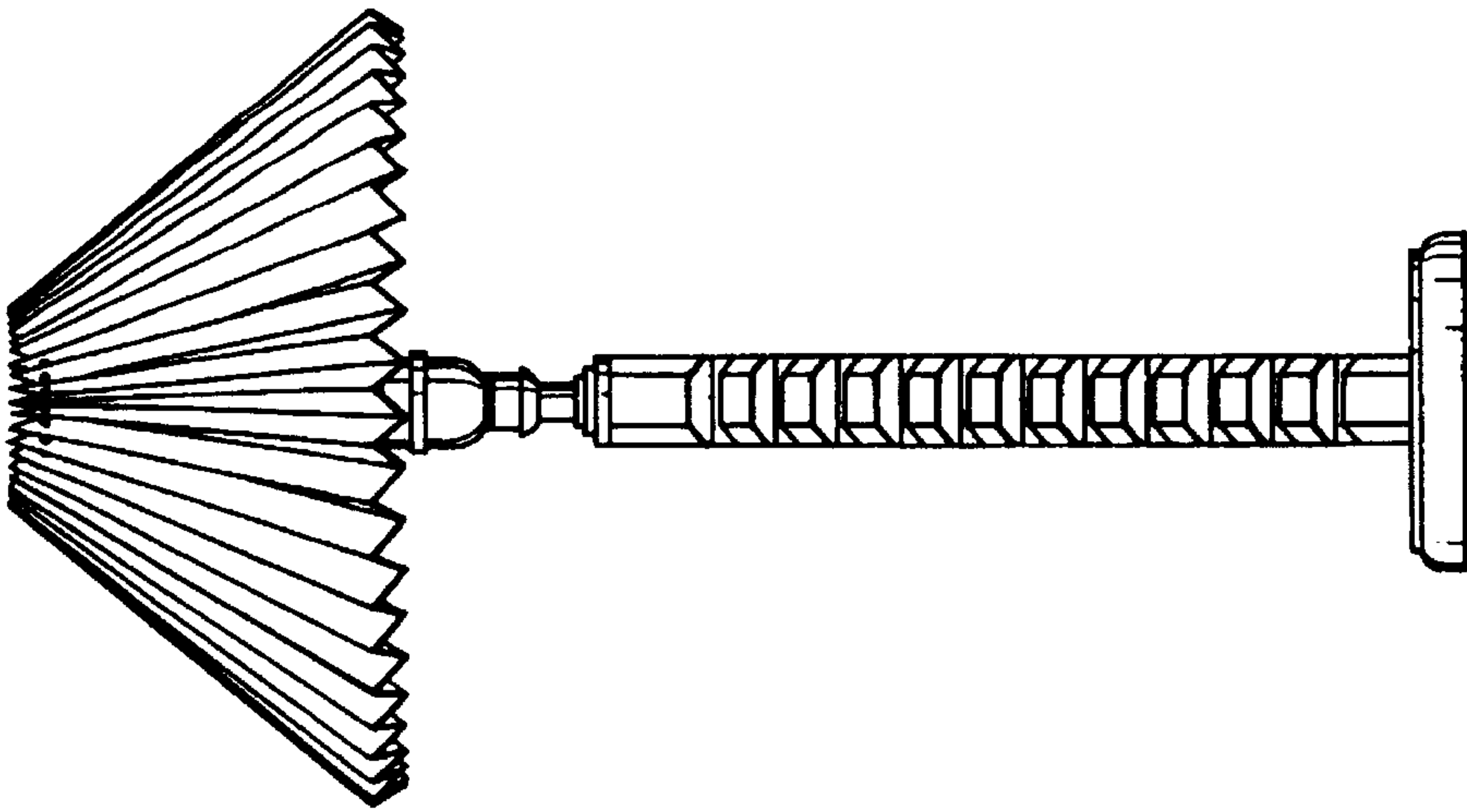


FIG. 4

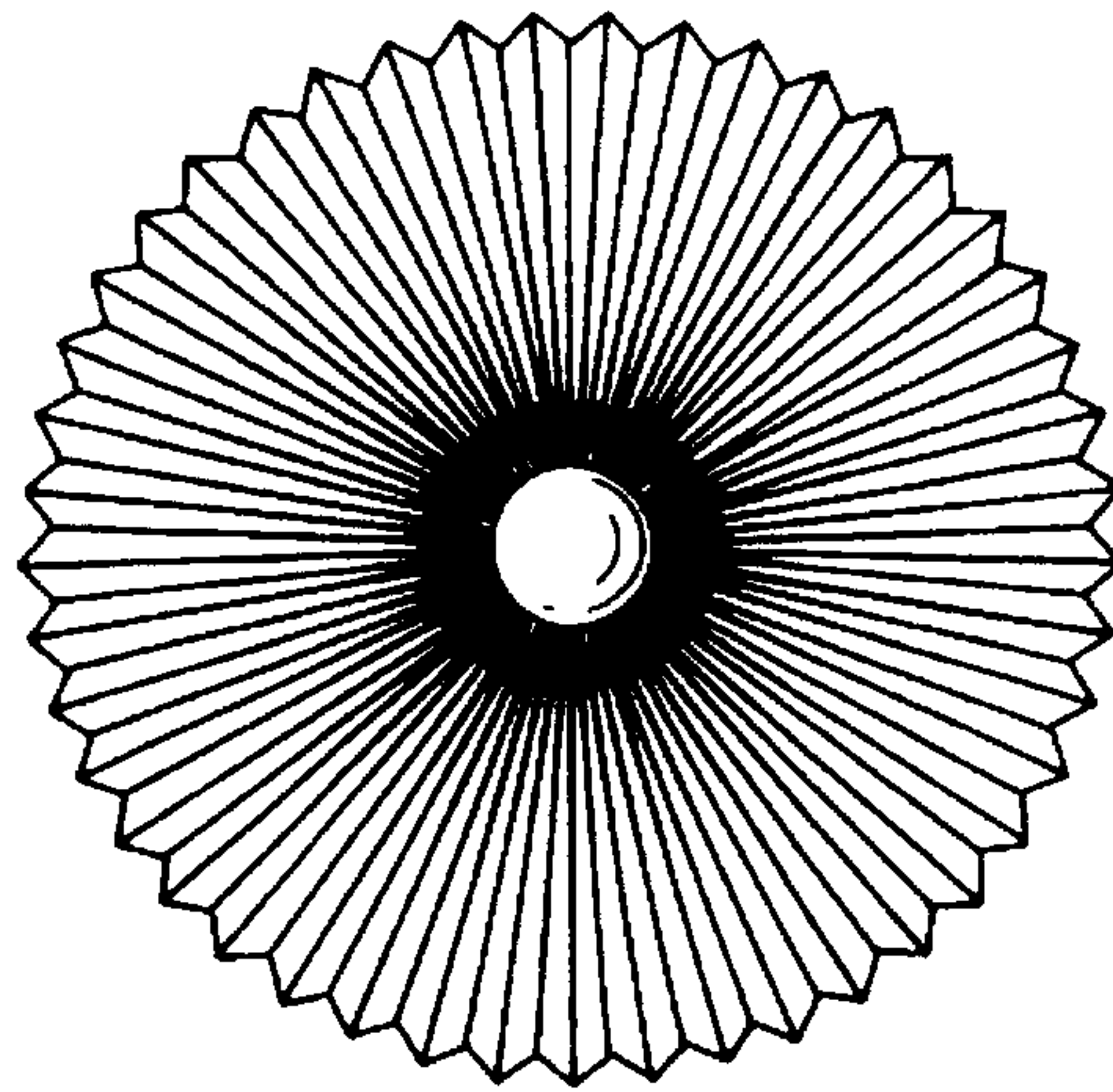


FIG. 6

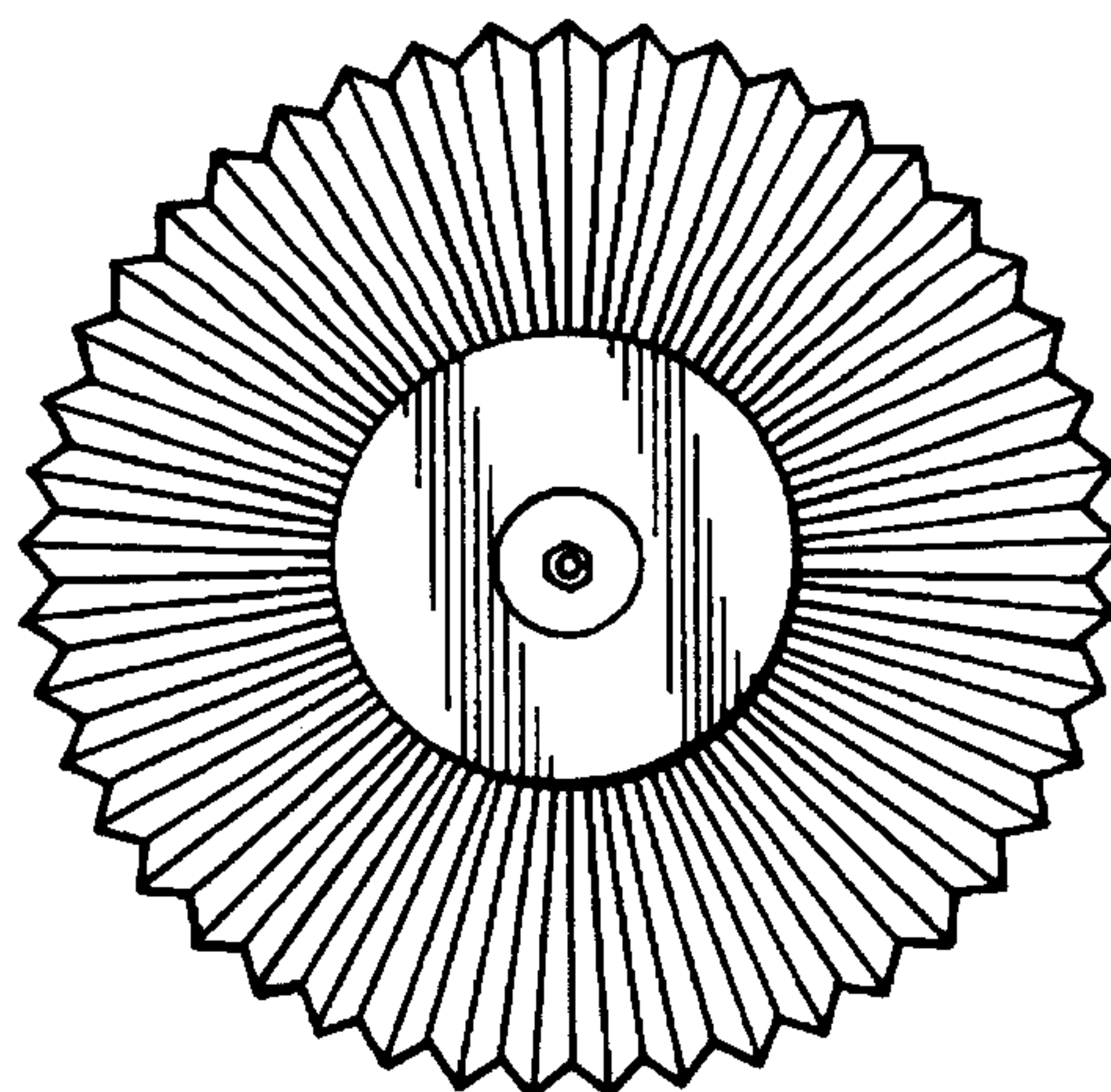


FIG. 7



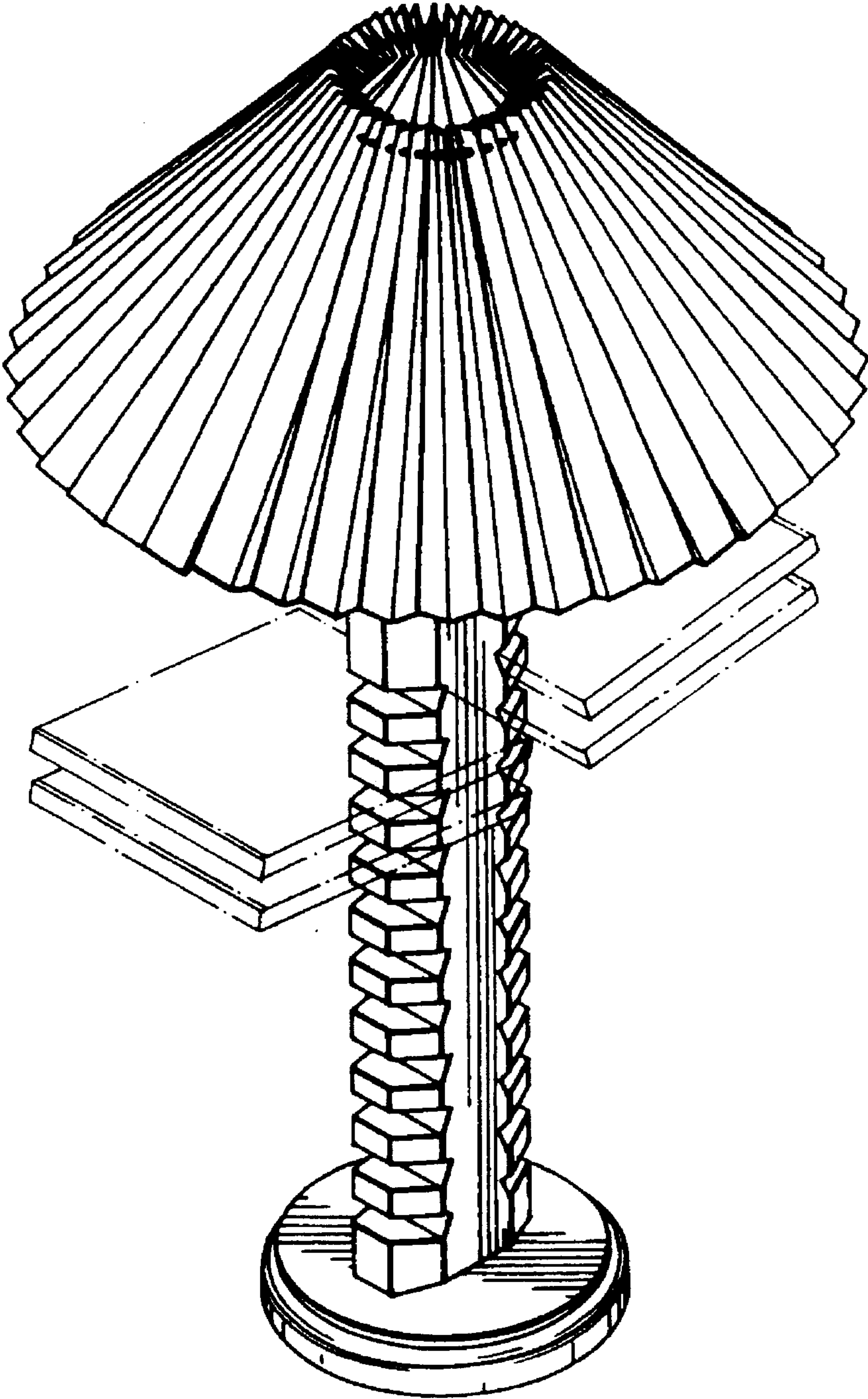


FIG. 8