



US00D367333S

# United States Patent [19]

Swyst

[11] Patent Number: **Des. 367,333**

[45] Date of Patent: **\*\*Feb. 20, 1996**

[54] FLASHLIGHT

3,111,277 11/1963 Grimsley ..... D26/43

[75] Inventor: **Thomas Swyst**, Arlington, Mass.

### FOREIGN PATENT DOCUMENTS

[73] Assignee: **Black & Decker Inc.**, Newark, Del.

685931 8/1986 Japan ..... D26/43

[\*\*] Term: **14 Years**

*Primary Examiner*—Susan J. Lucas  
*Attorney, Agent, or Firm*—Barry E. Deutsch

[21] Appl. No.: **35,087**

### [57] CLAIM

[22] Filed: **Feb. 21, 1995**

The ornamental design for a flashlight, as shown and described.

[52] U.S. Cl. .... **D26/43**; D26/60

[58] Field of Search ..... D26/37, 43, 44,  
D26/46, 49, 60, 62; 362/157, 158, 184,  
188, 189, 191, 198, 199, 200, 396, 239,  
249, 250

### DESCRIPTION

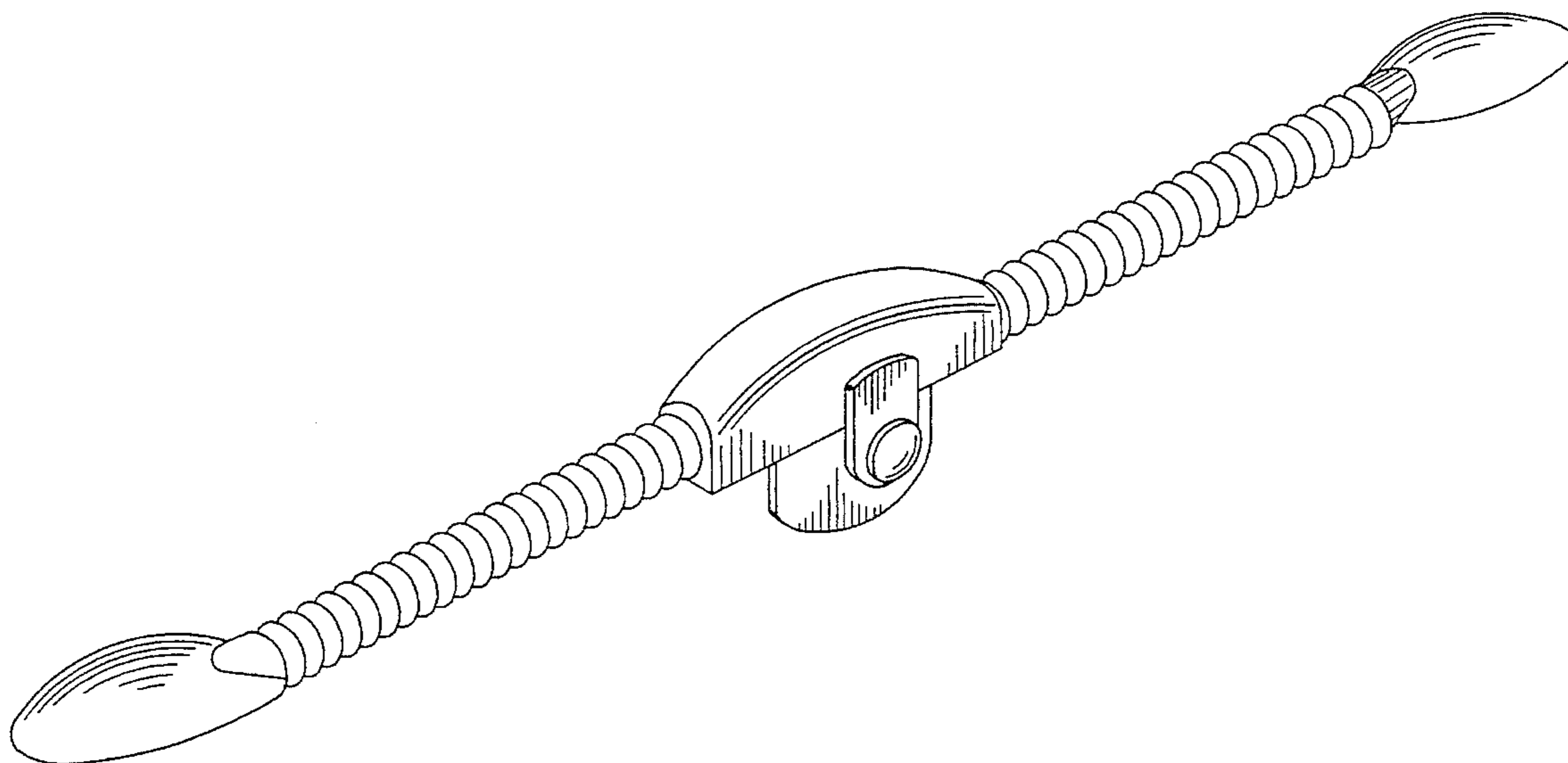
### [56] References Cited

#### U.S. PATENT DOCUMENTS

D. 290,519	6/1987	Kuo .....	D26/60
D. 306,351	2/1990	Charet et al. ....	D26/43
D. 314,246	1/1991	Bache .....	D26/62
D. 337,839	7/1993	Zeller .....	D26/43

FIG. 1 is a perspective view taken from the front, top and right side of a flashlight showing my new design;  
FIG. 2 is a top plan view thereof;  
FIG. 3 is a bottom plan view thereof;  
FIG. 4 is a rear elevational view thereof;  
FIG. 5 is a front elevational view thereof;  
FIG. 6 is a right side elevational view thereof; and,  
FIG. 7 is a left side elevational view thereof.

**1 Claim, 3 Drawing Sheets**



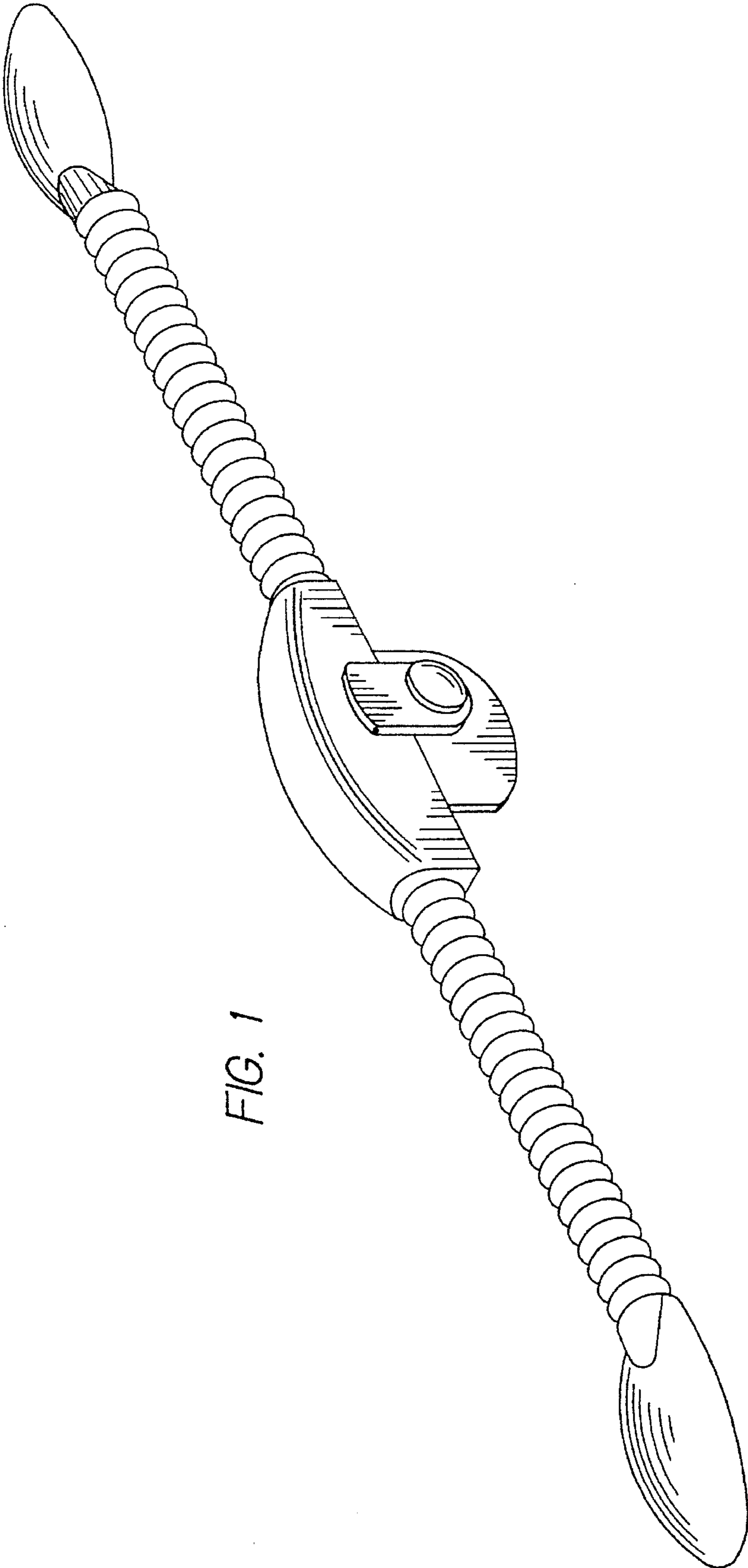


FIG. 1

FIG. 2

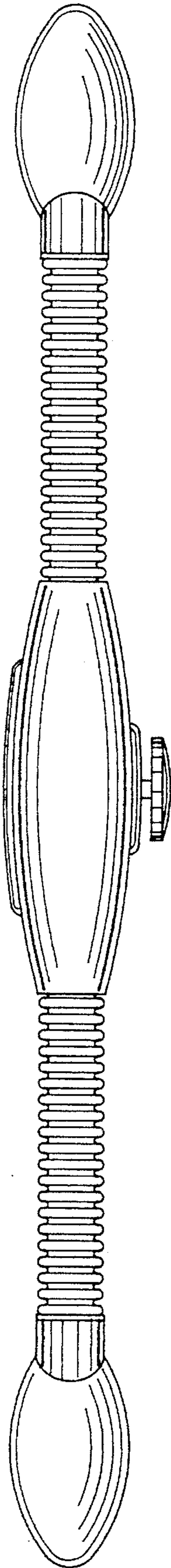


FIG. 3

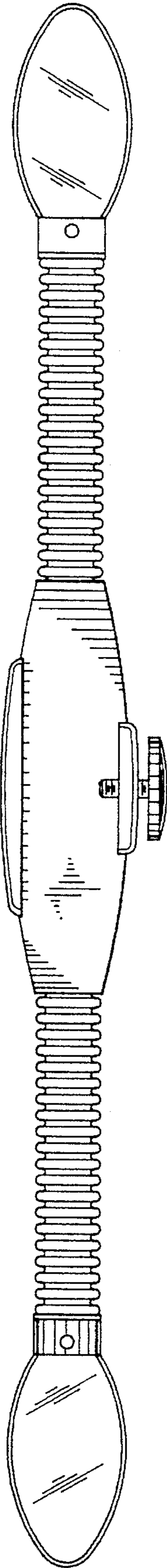


FIG. 4

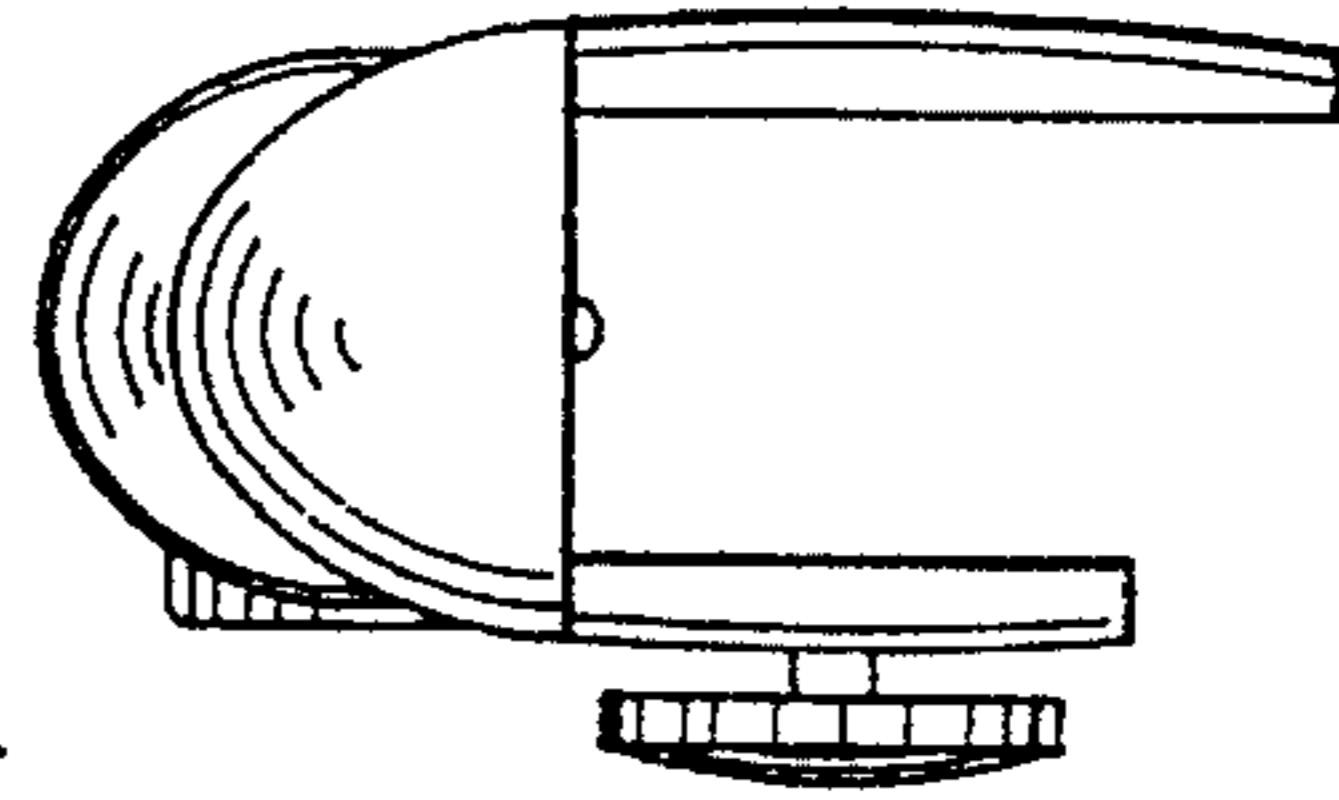
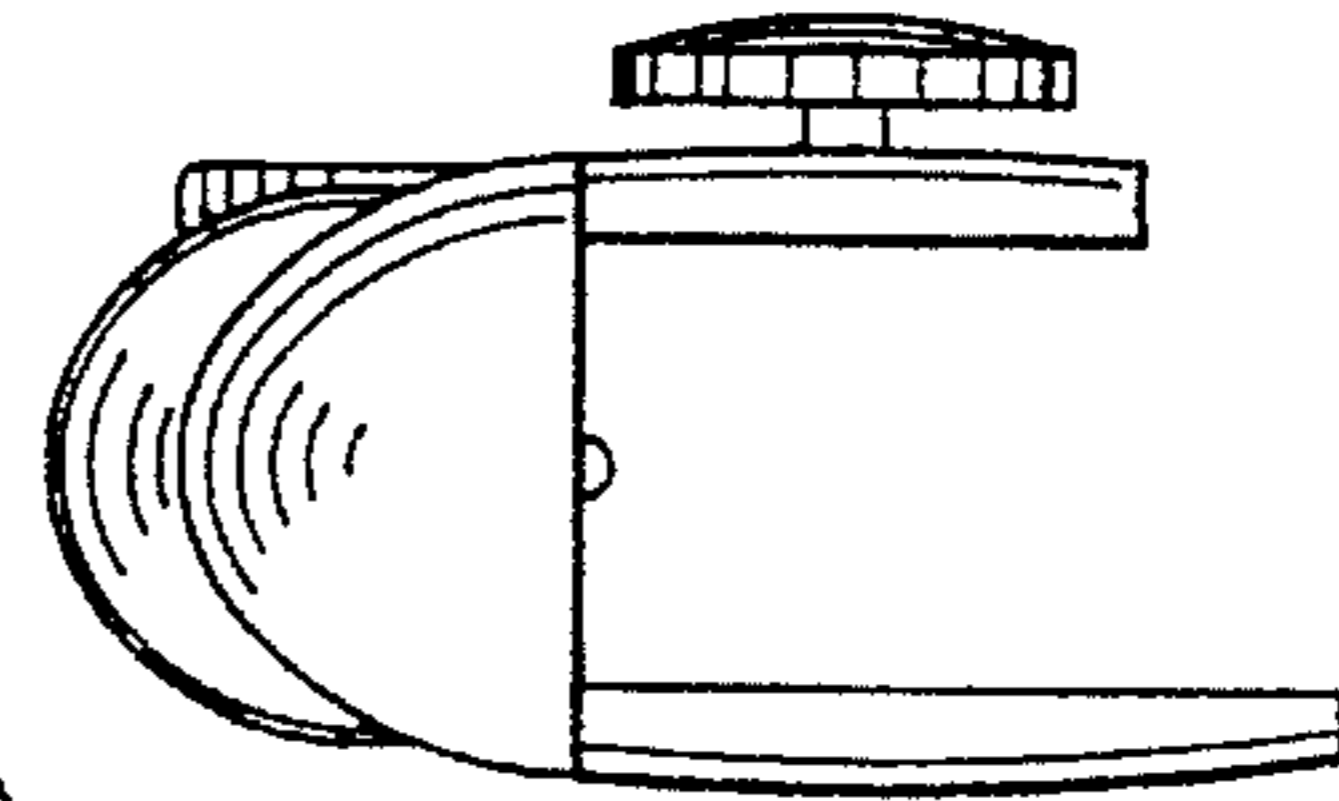


FIG. 5



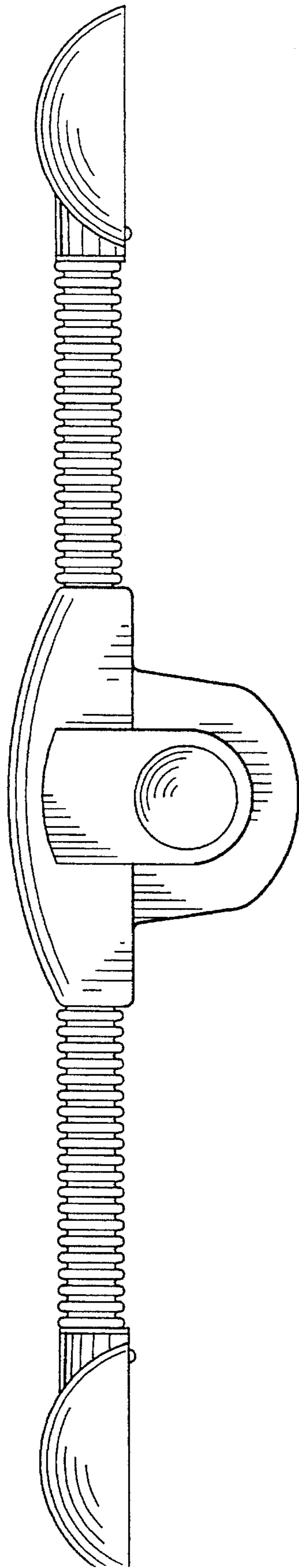


FIG. 6

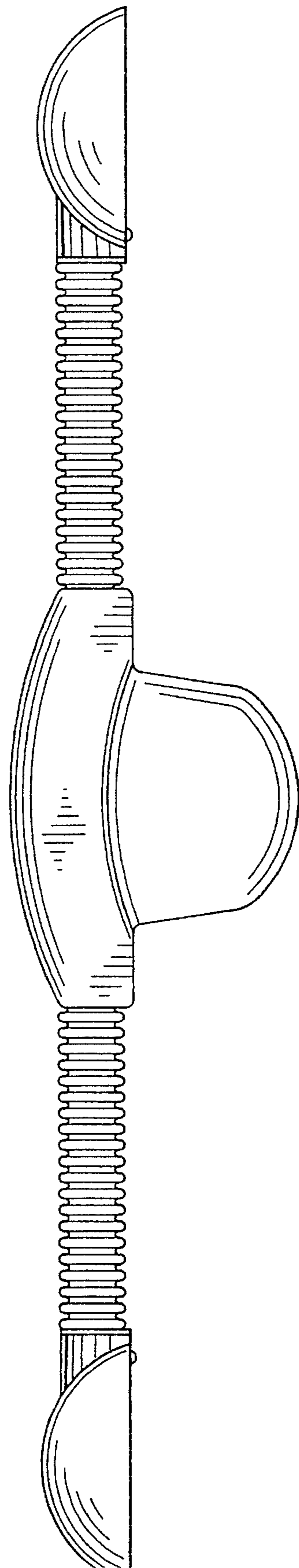


FIG. 7