



US00D367329S

United States Patent [19]

[11] Patent Number: **Des. 367,329**

Nelson et al.

[45] Date of Patent: ***** Feb. 20, 1996**

[54] **ROOF PIPE SUPPORT BLOCK**

[76] Inventors: **Larry D. Nelson**, 4720 Terraceview La. North; **Randy M. Olsen**, 15625 47th Ave. North, both of Plymouth, Minn. 55446

[*] Notice: The portion of the term of this patent subsequent to Dec. 27, 2008, has been disclaimed.

[**] Term: **14 Years**

[21] Appl. No.: **31,110**

[22] Filed: **Nov. 17, 1994**

[52] U.S. Cl. **D25/118**

[58] Field of Search D25/112-118; 52/296, 598, 602, 607-612; 285/42

[56] **References Cited**

U.S. PATENT DOCUMENTS

952,918	3/1910	Mann	D25/113
2,296,699	9/1942	Bourdelais, Sr. et al.	D25/118
3,148,477	9/1964	Bjorn et al.	D25/113

3,173,226	3/1965	Solnick	52/607
3,668,831	6/1972	Sweet et al.	52/596
4,018,018	4/1977	Kosuge	52/607
4,860,505	8/1989	Bender	52/596

Primary Examiner—Doris Clark
Attorney, Agent, or Firm—Palmatier, Sjoquist & Helget

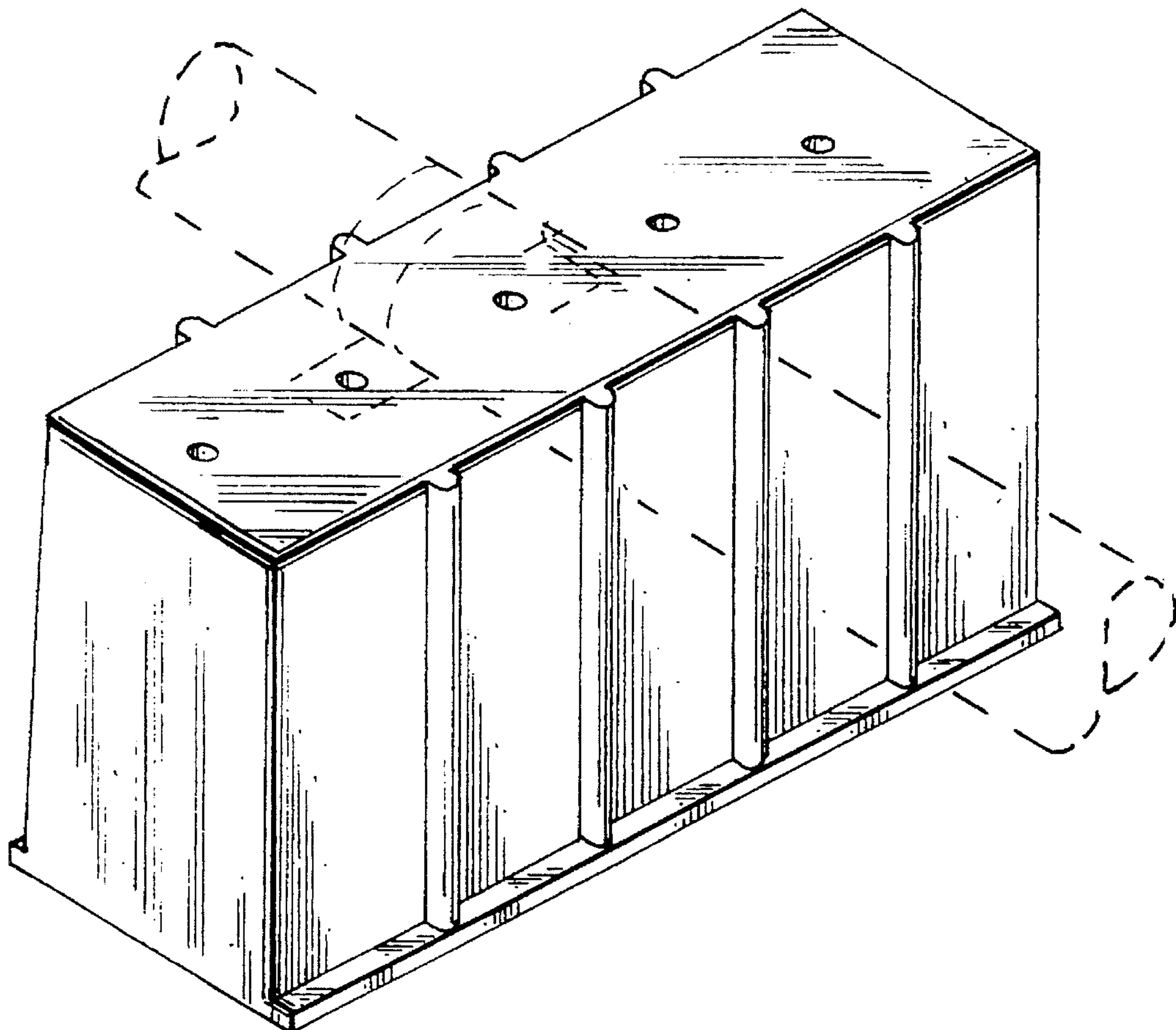
[57] **CLAIM**

The ornamental design for a roof pipe support block, as shown and described.

DESCRIPTION

FIG. 1 is perspective view of a roof pipe support block showing our new design; FIG. 2 is a top plan view; FIG. 3 is a bottom plan view; FIG. 4 is a front elevational view which is a mirror image of the rear elevational view; FIG. 5 is a left side elevational view; and, FIG. 6 is a right side elevational view. The broken lines showing the pipe are for illustrative purposes only and do not form any part of the claimed design.

1 Claim, 2 Drawing Sheets



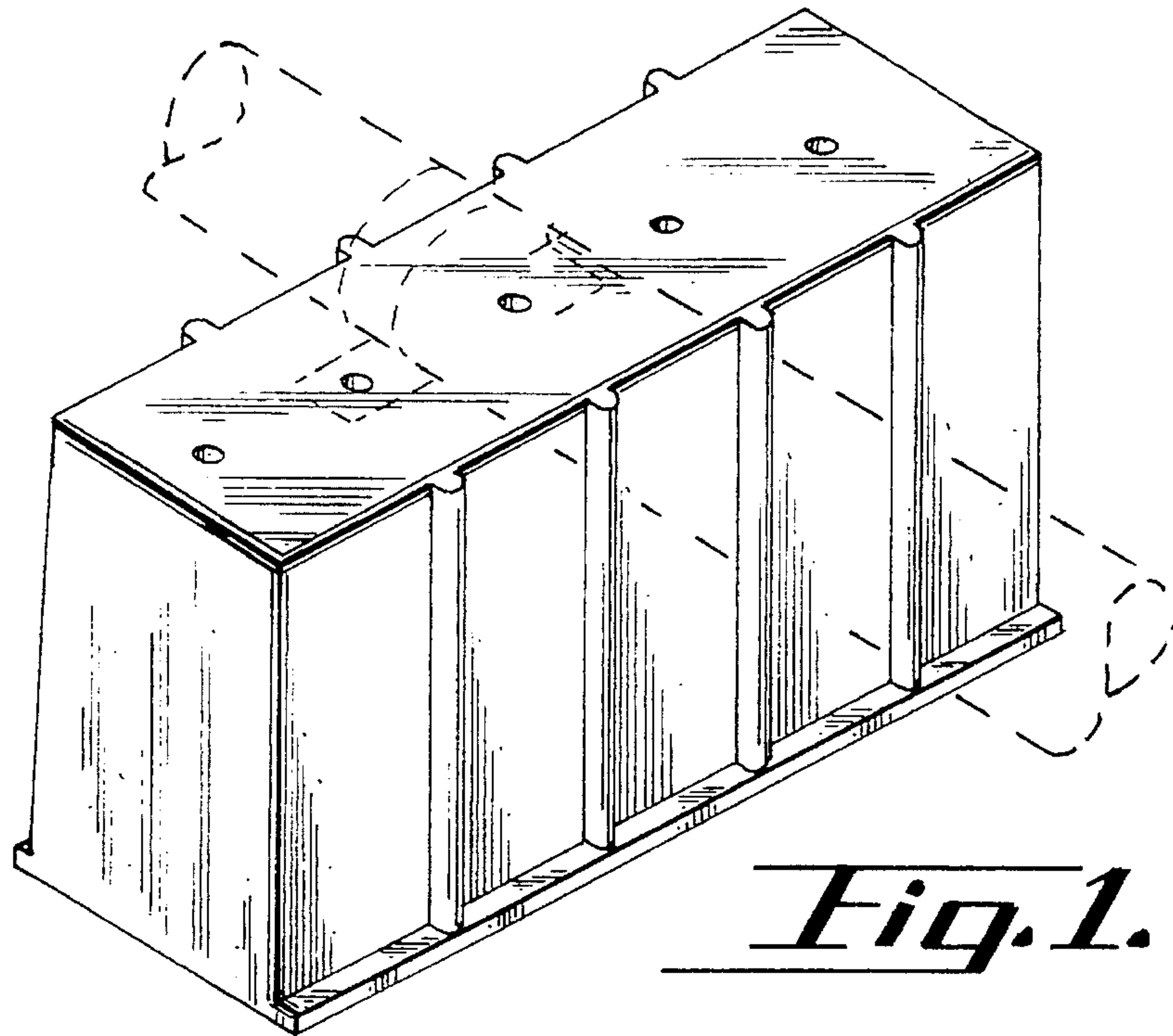


Fig. 1.

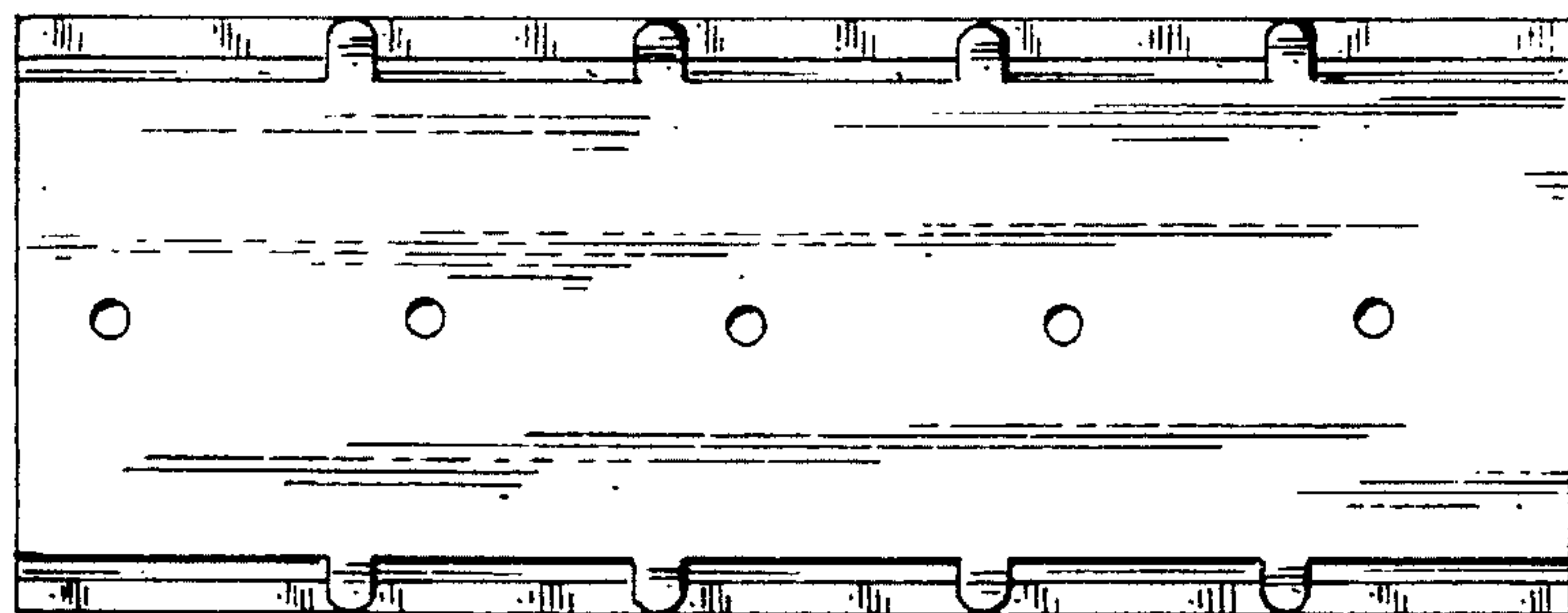


Fig. 2.

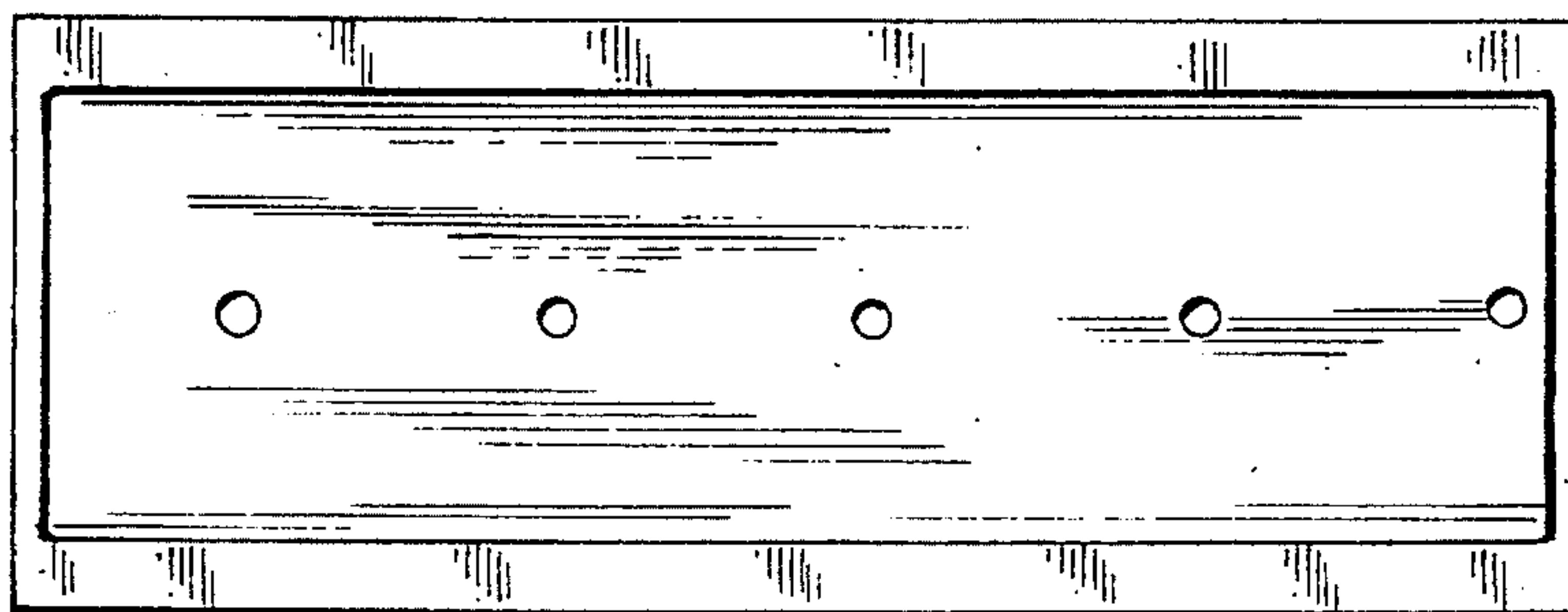


Fig. 3.

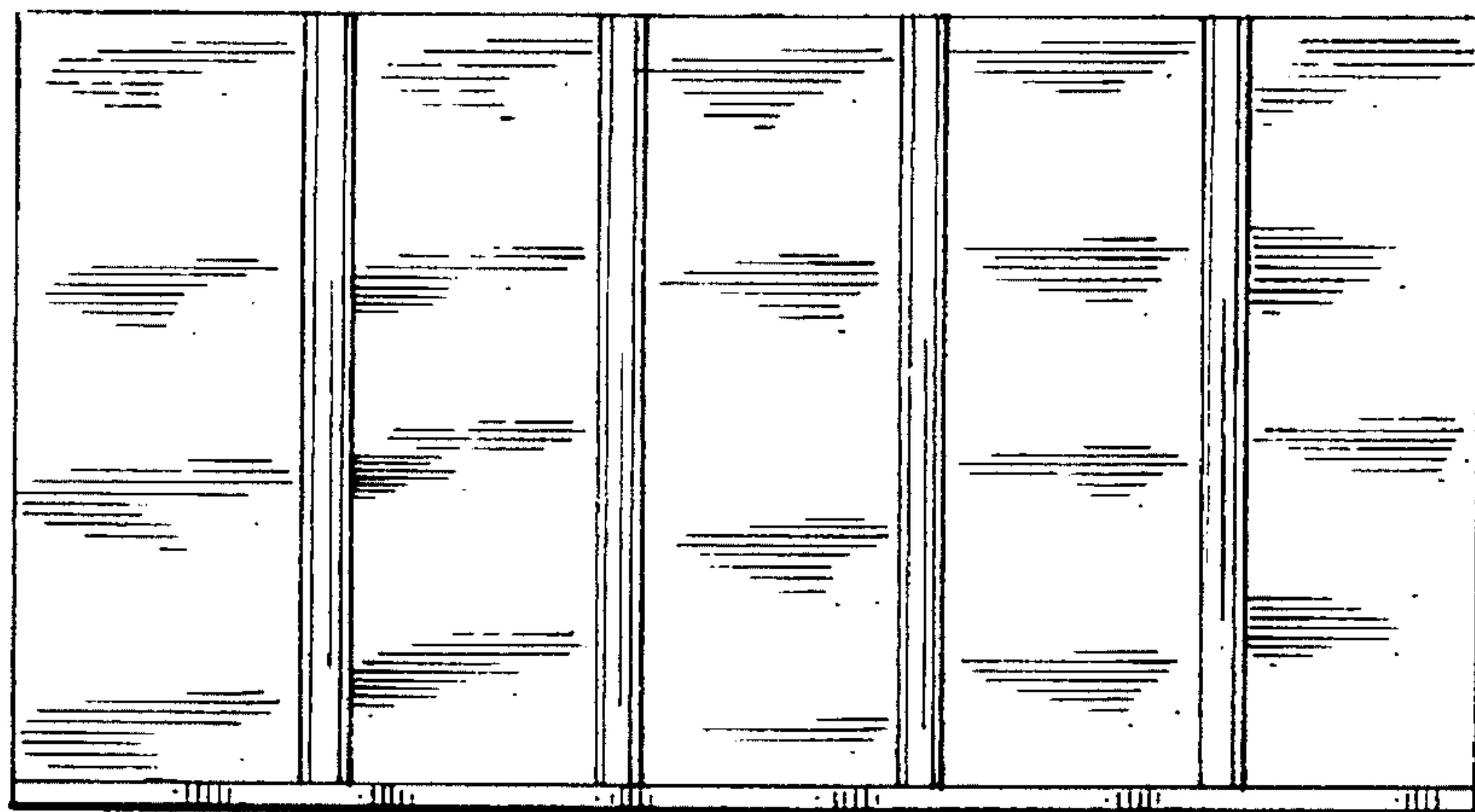


Fig. 4.

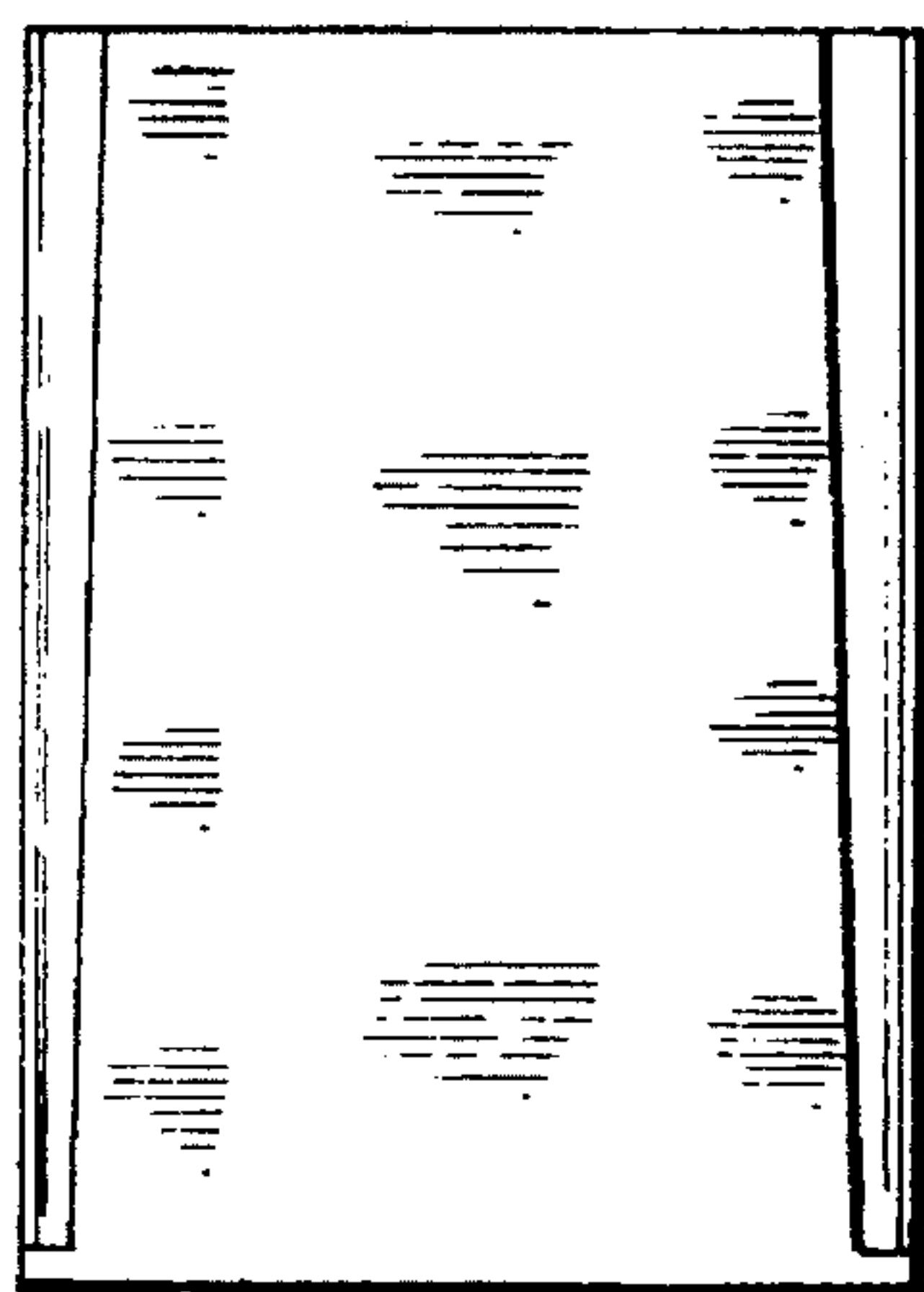


Fig. 5.

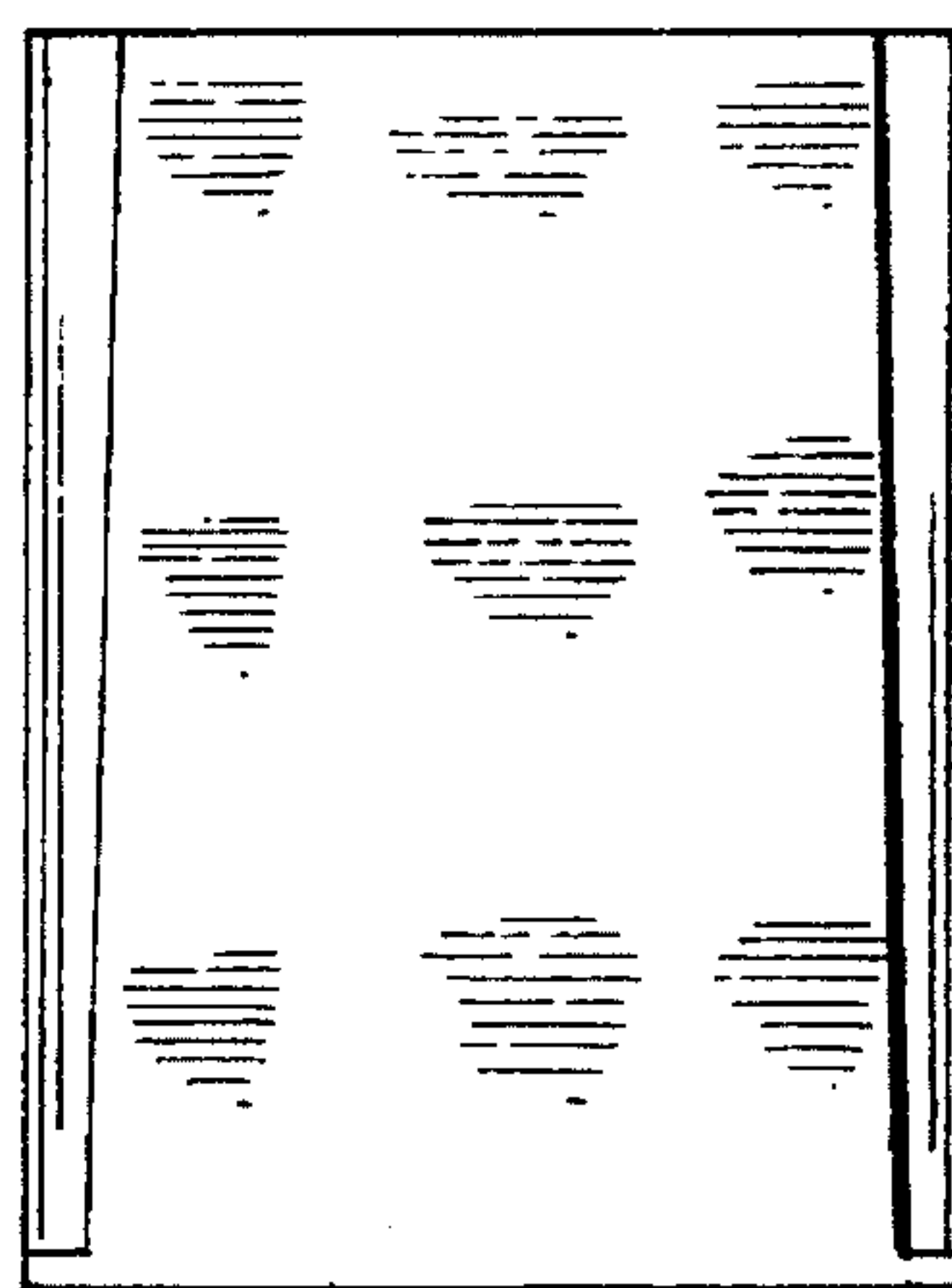


Fig. 6.