



US00D367328S

# United States Patent [19]

[11] Patent Number: **Des. 367,328**

Liszewski

[45] Date of Patent: **\*\*Feb. 20, 1996**

[54] **LEADED GLASS**

[75] Inventor: **Mark J. Liszewski**, Grand Rapids, Mich.

[73] Assignee: **ODL, Incorporated**, Zeeland, Mich.

[\*\*] Term: **14 Years**

[21] Appl. No.: **32,767**

[22] Filed: **Nov. 23, 1994**

[52] U.S. Cl. .... **D25/103**

[58] Field of Search ..... D25/103-111;  
52/DIG. 17, 311.4; 428/38, 432

[56] **References Cited**

**U.S. PATENT DOCUMENTS**

D. 311,959	11/1990	Guetle, Jr. et al. ....	D25/103
D. 320,665	10/1991	Guetle, Jr. ....	D25/103
1,612,054	12/1926	Renz .....	428/38
3,193,434	7/1965	Weiss .....	52/307
4,438,165	3/1984	Butler .....	428/38

*Primary Examiner*—Doris Clark

*Attorney, Agent, or Firm*—Warner Norcross & Judd

[57] **CLAIM**

The ornamental design for leaded glass, as shown and described.

**DESCRIPTION**

FIG. 1 is a top plan view of the leaded glass embodying the new design;

FIG. 2 is a perspective view thereof;

FIG. 3 is a top plan view of a second alternative embodiment of the design;

FIG. 4 is a perspective view of the second alternative embodiment;

FIG. 5 is a top plan view of a third alternative embodiment of the design;

FIG. 6 is a perspective view of the third alternative embodiment;

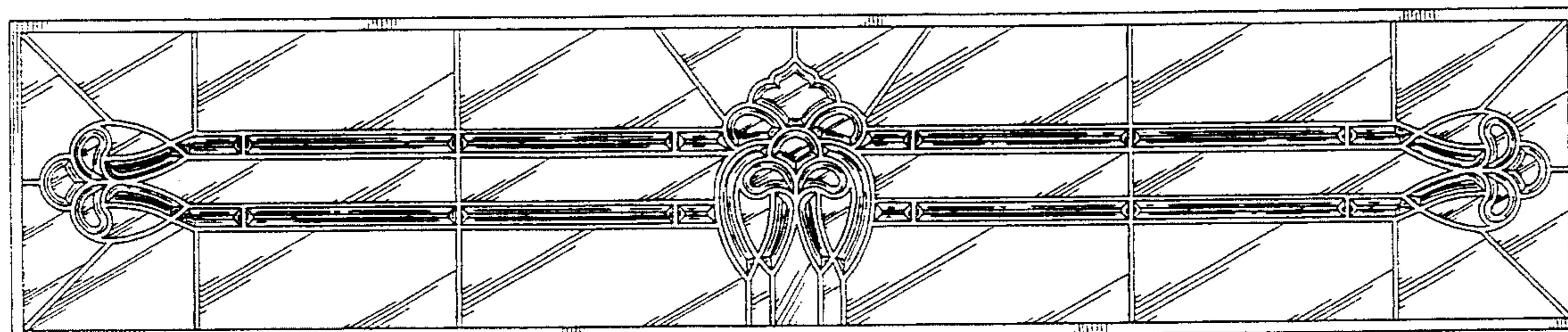
FIG. 7 is a top plan view of a fourth alternative embodiment of the design;

FIG. 8 is a perspective view of the fourth alternative embodiment;

FIG. 9 is a top plan view of a fifth alternative embodiment of the design; and,

FIG. 10 is a perspective view of the fifth alternative embodiment.

**1 Claim, 10 Drawing Sheets**



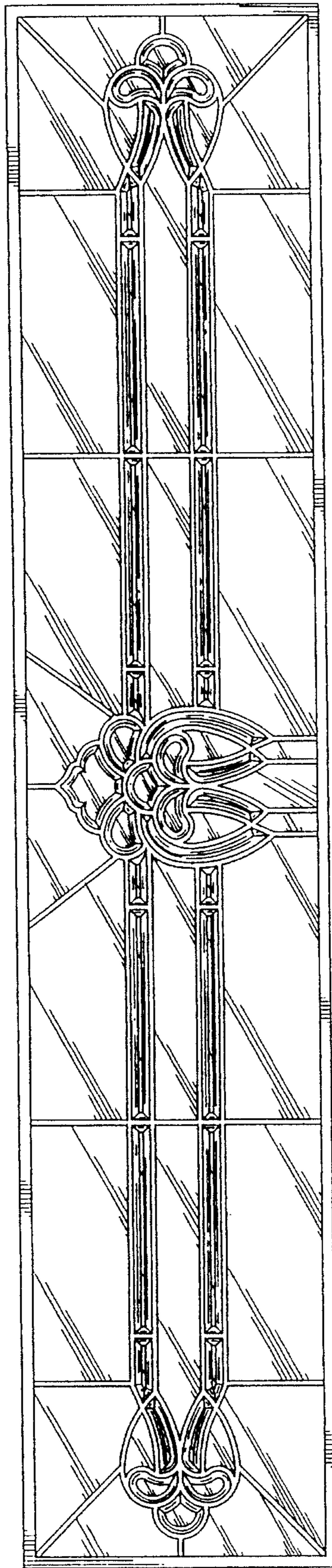


FIG. 1

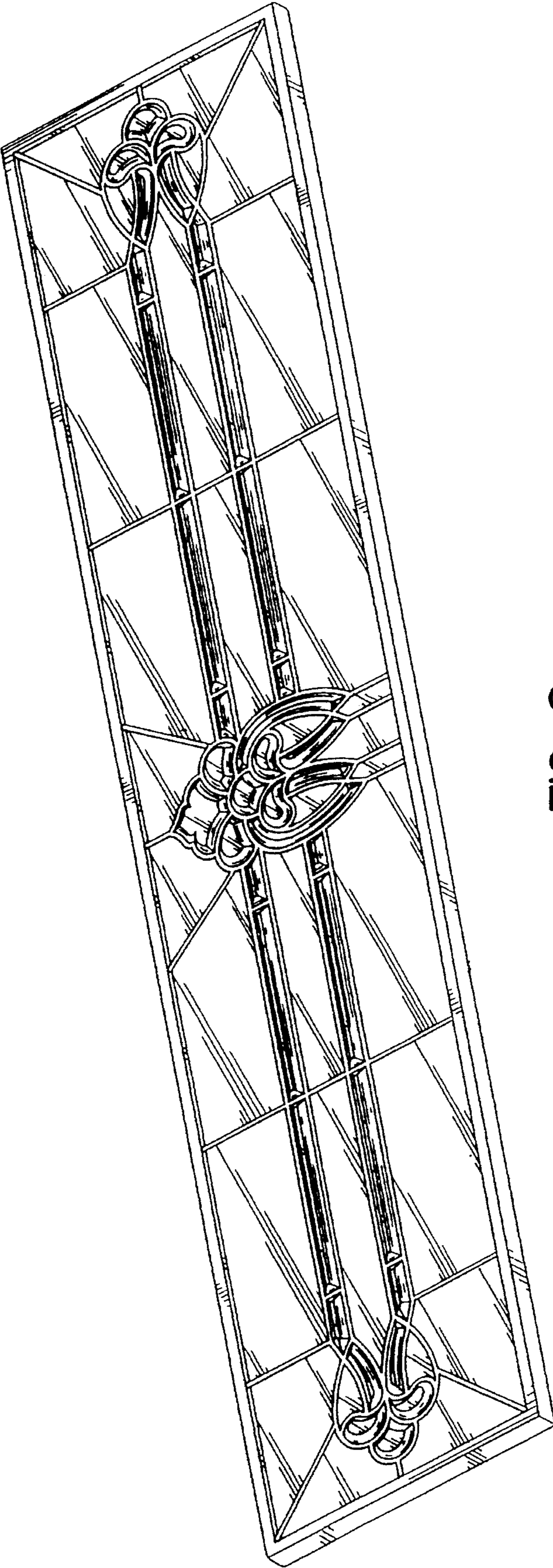


FIG. 2

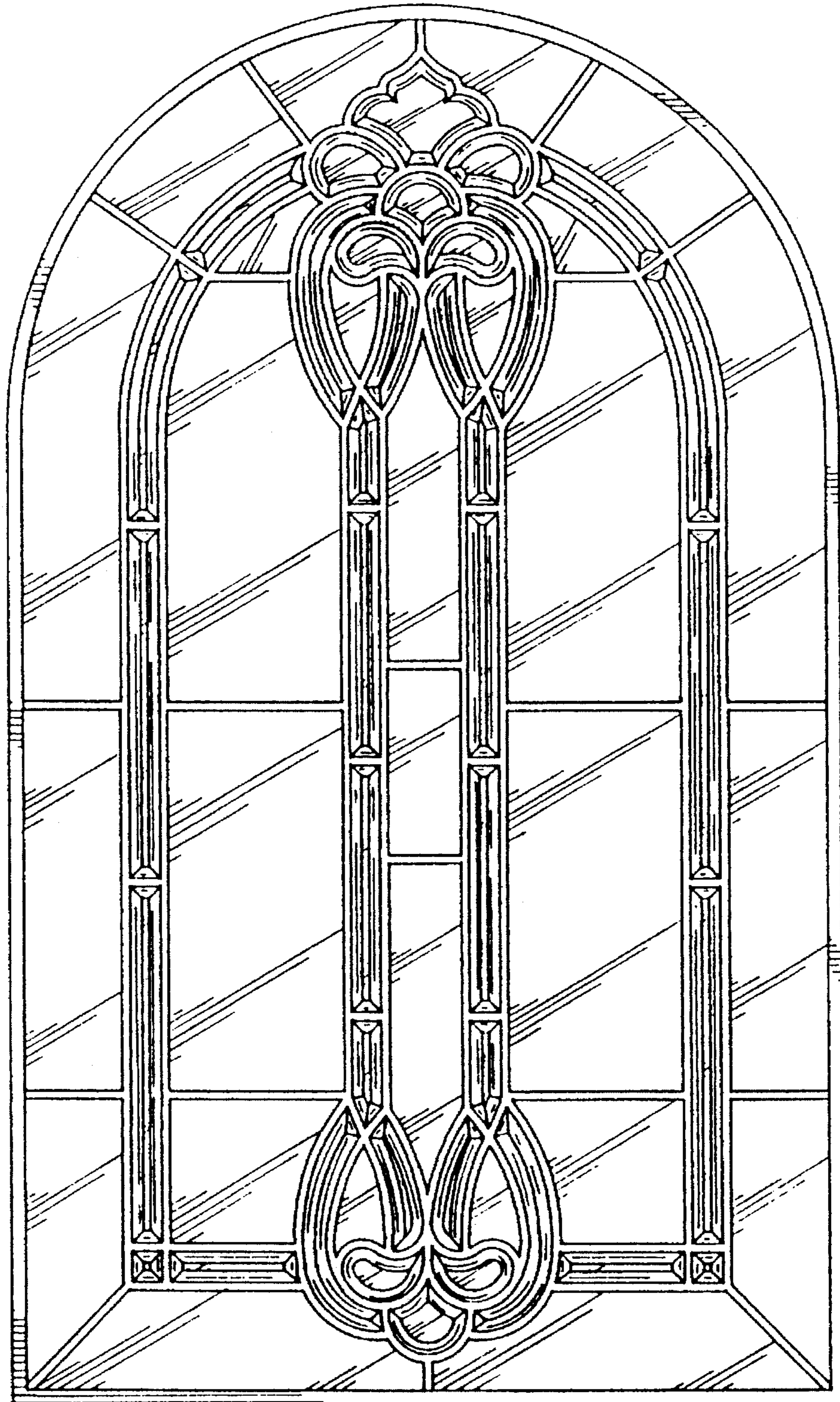


FIG. 3

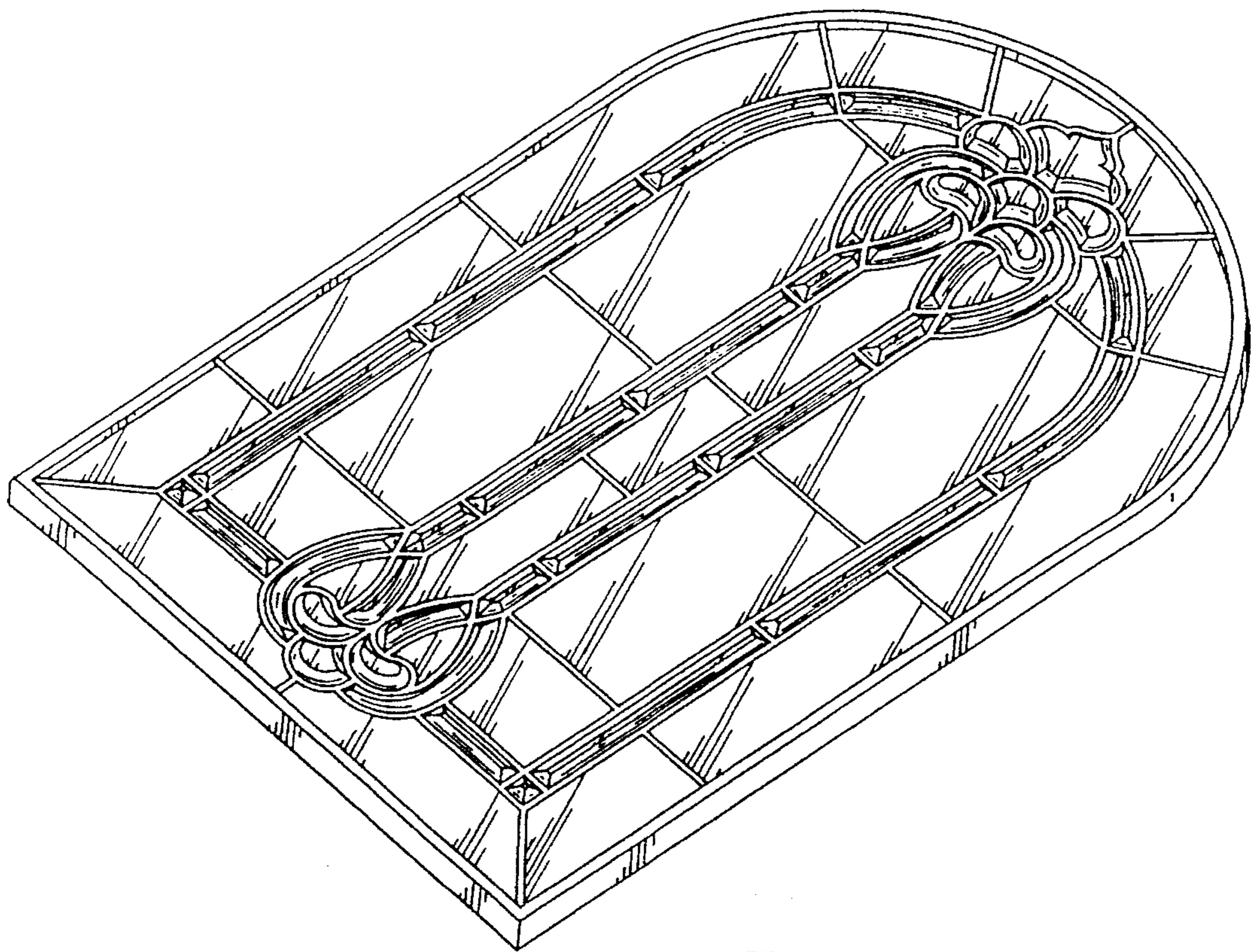


FIG. 4

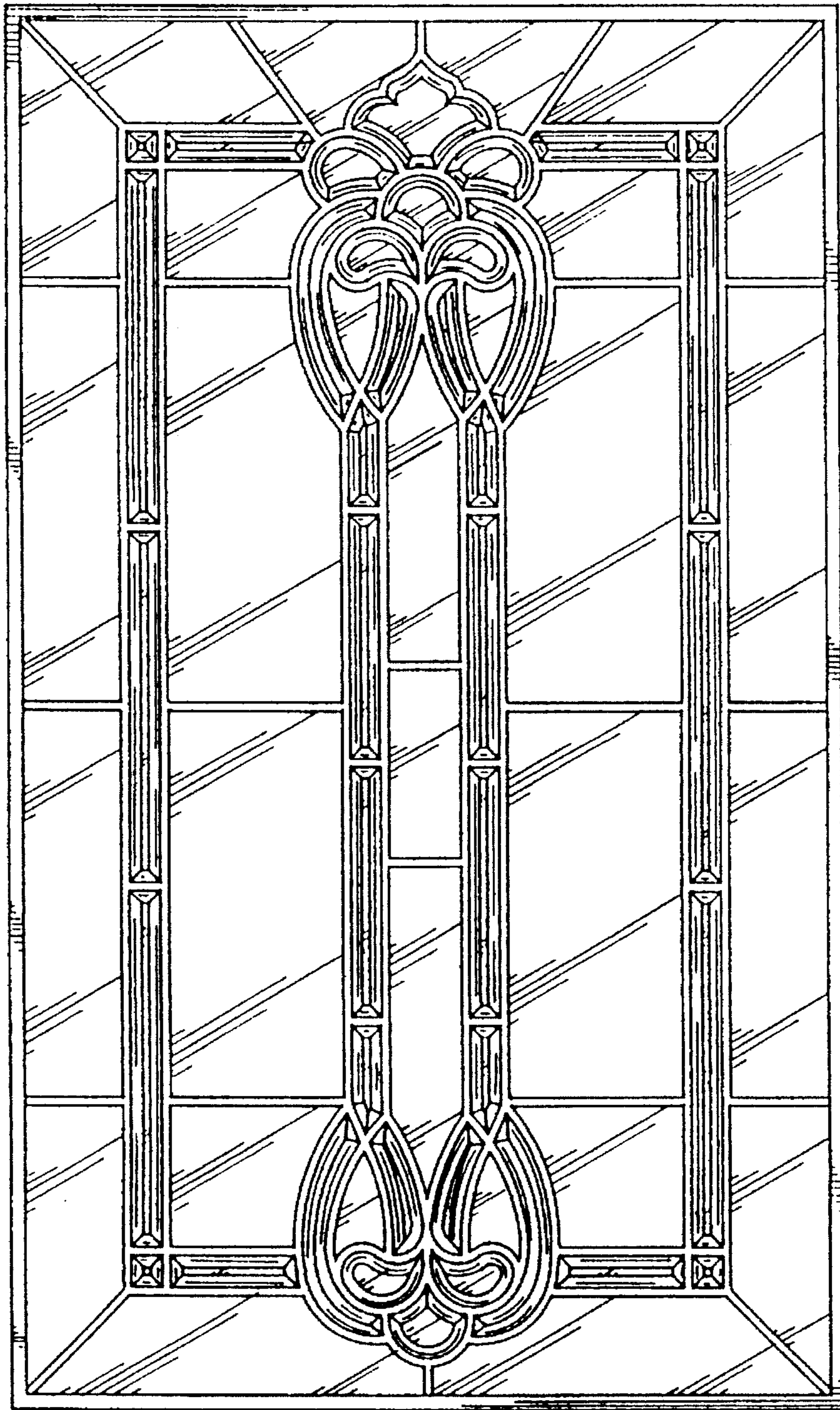


FIG. 5

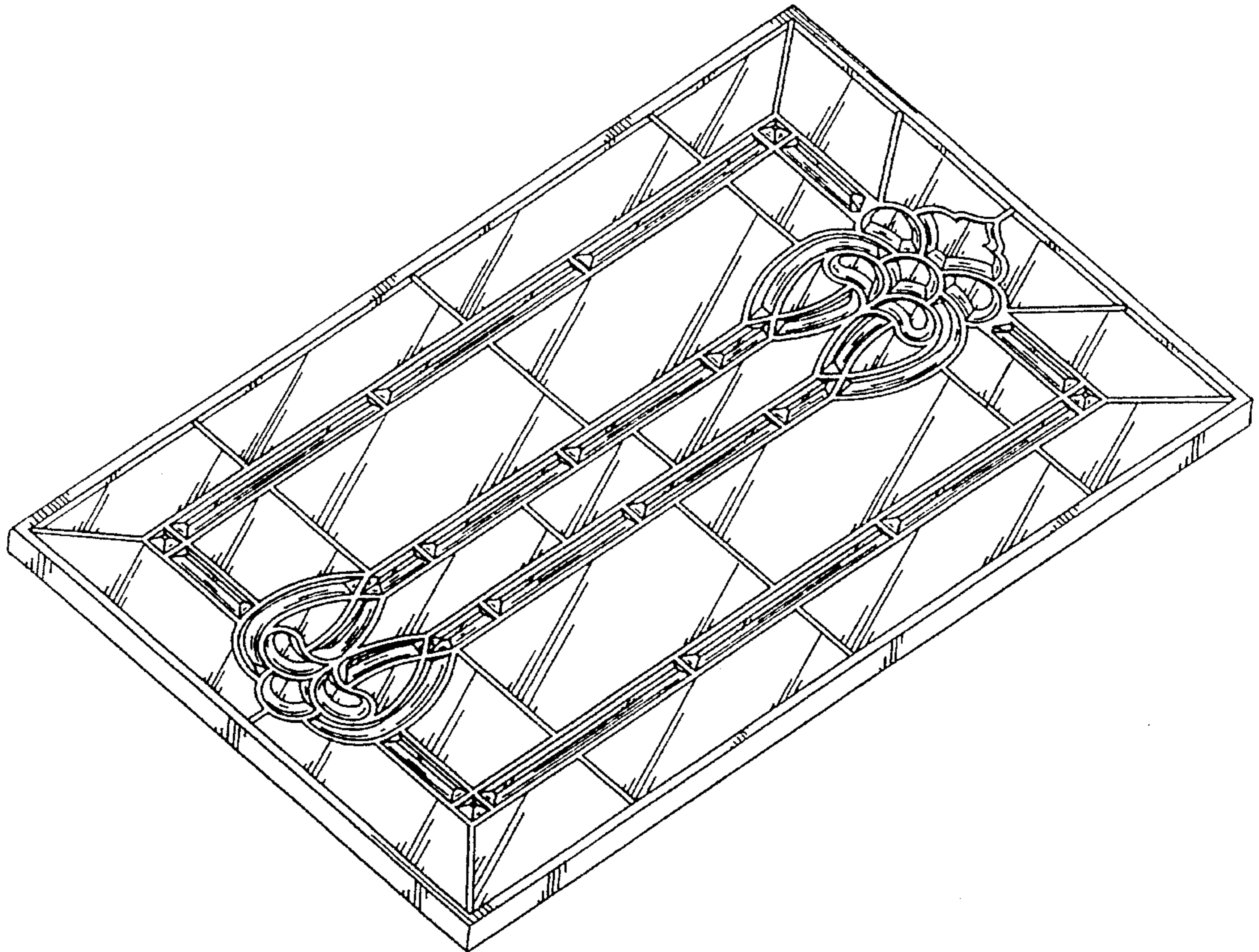


FIG. 6

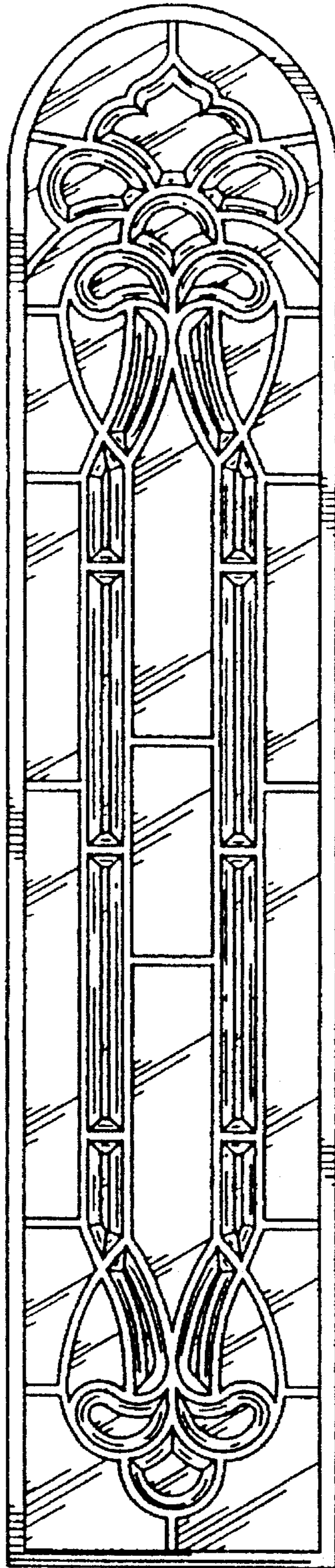


FIG. 7



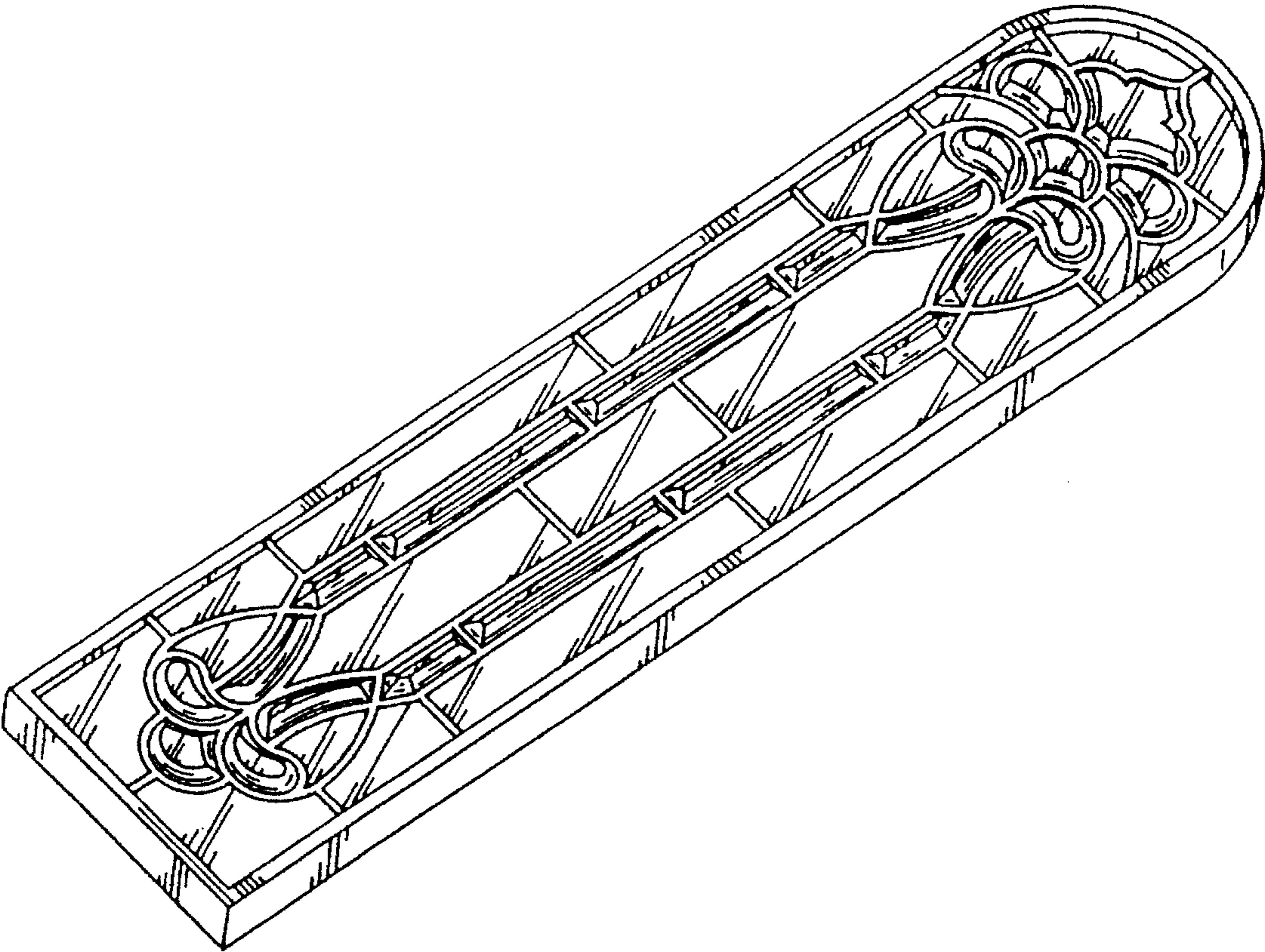


FIG. 8

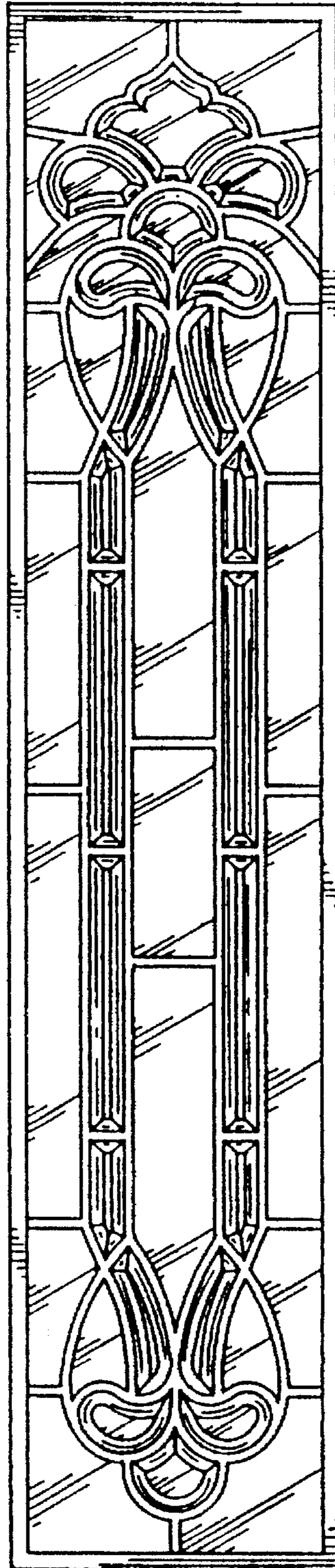


FIG. 9

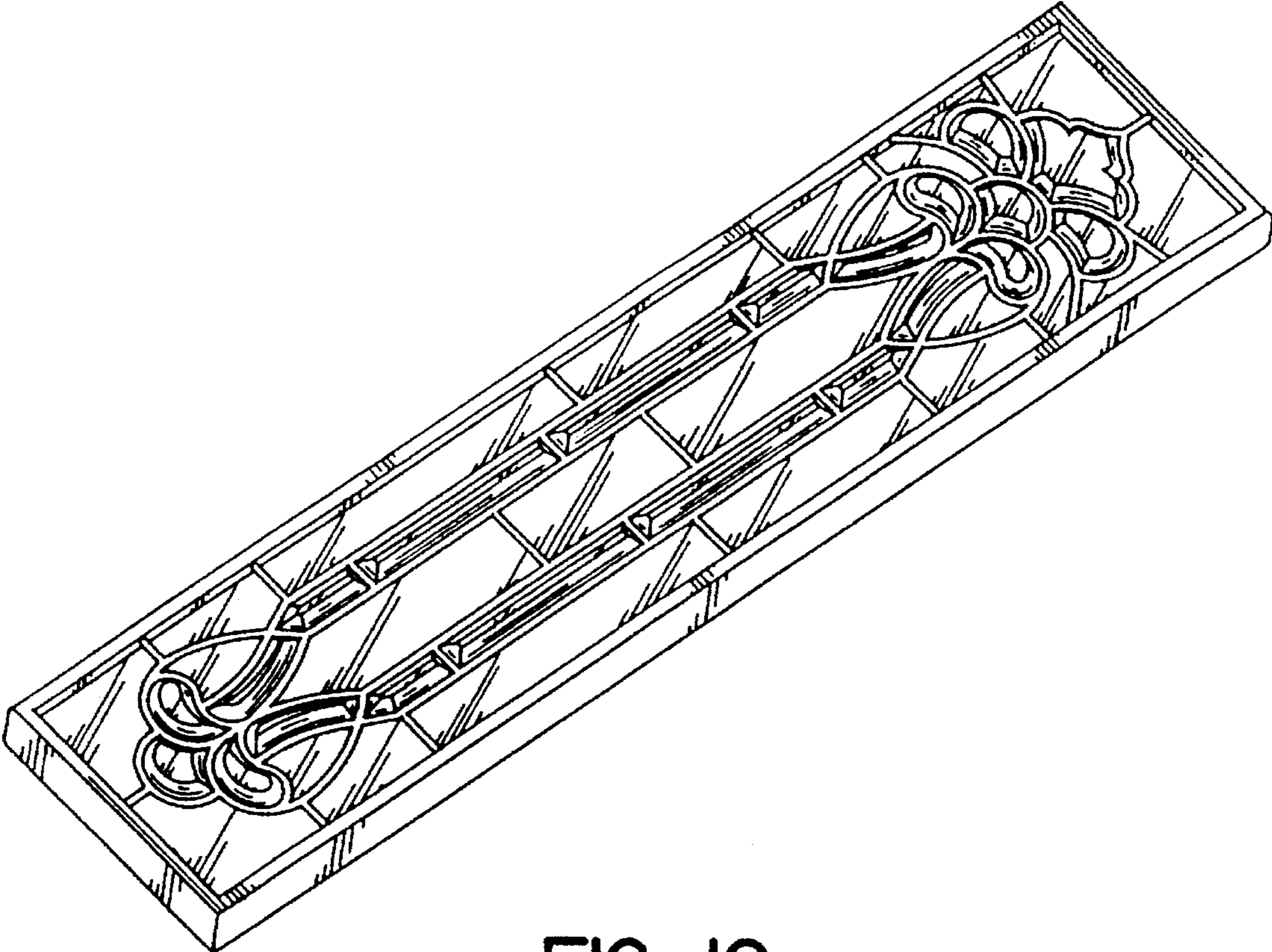


FIG. 10