



US00D367325S

United States Patent [19]

Duggan et al.

[11] Patent Number: **Des. 367,325**

[45] Date of Patent: ****Feb. 20, 1996**

[54] **CONTAINER FOR USE WITH A PORTABLE ENTERAL FEEDING PUMP**

[75] Inventors: **Brendan J. Duggan; Bernard E. Ryan**, both of Sligo, Ireland

[73] Assignee: **Abbott Laboratories**, Abbott Park, Ill.

[**] Term: **14 Years**

[21] Appl. No.: **27,371**

[22] Filed: **Aug. 19, 1994**

[52] U.S. Cl. **D24/121; D9/520; D24/224**

[58] Field of Search **D24/224, 121, D24/118, 127, 128; D9/523, 520, 575; 422/102, 104, 107; 436/165, 166; 215/1 C, 1 R**

[56] **References Cited**

U.S. PATENT DOCUMENTS

D. 283,795	4/1982	Pagels	D24/121 X
D. 284,033	5/1986	Brodsky	D9/520 X
3,537,498	11/1970	St. Amand	D24/121 X
5,152,965	10/1992	Fisk et al.	D24/224 X

OTHER PUBLICATIONS

Flexiflo® Enteral Delivery System, p. 5, Oct. 1992.
Linea Flexiflo®, Equipos De Nutricion Enteral ©1992.

Primary Examiner—Louis S. Zarfaz

Assistant Examiner—I. Simmons
Attorney, Agent, or Firm—L. R. Drayer

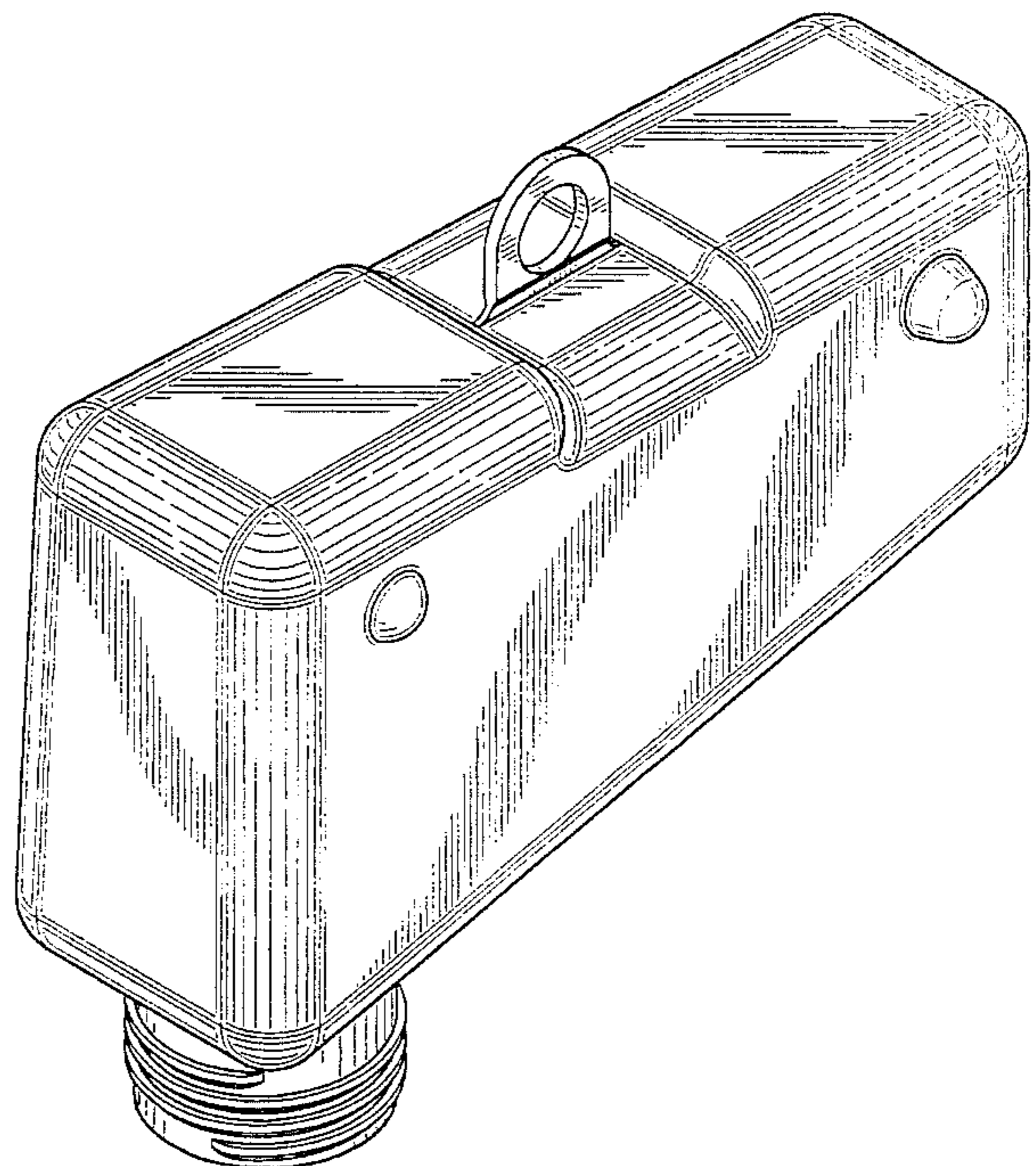
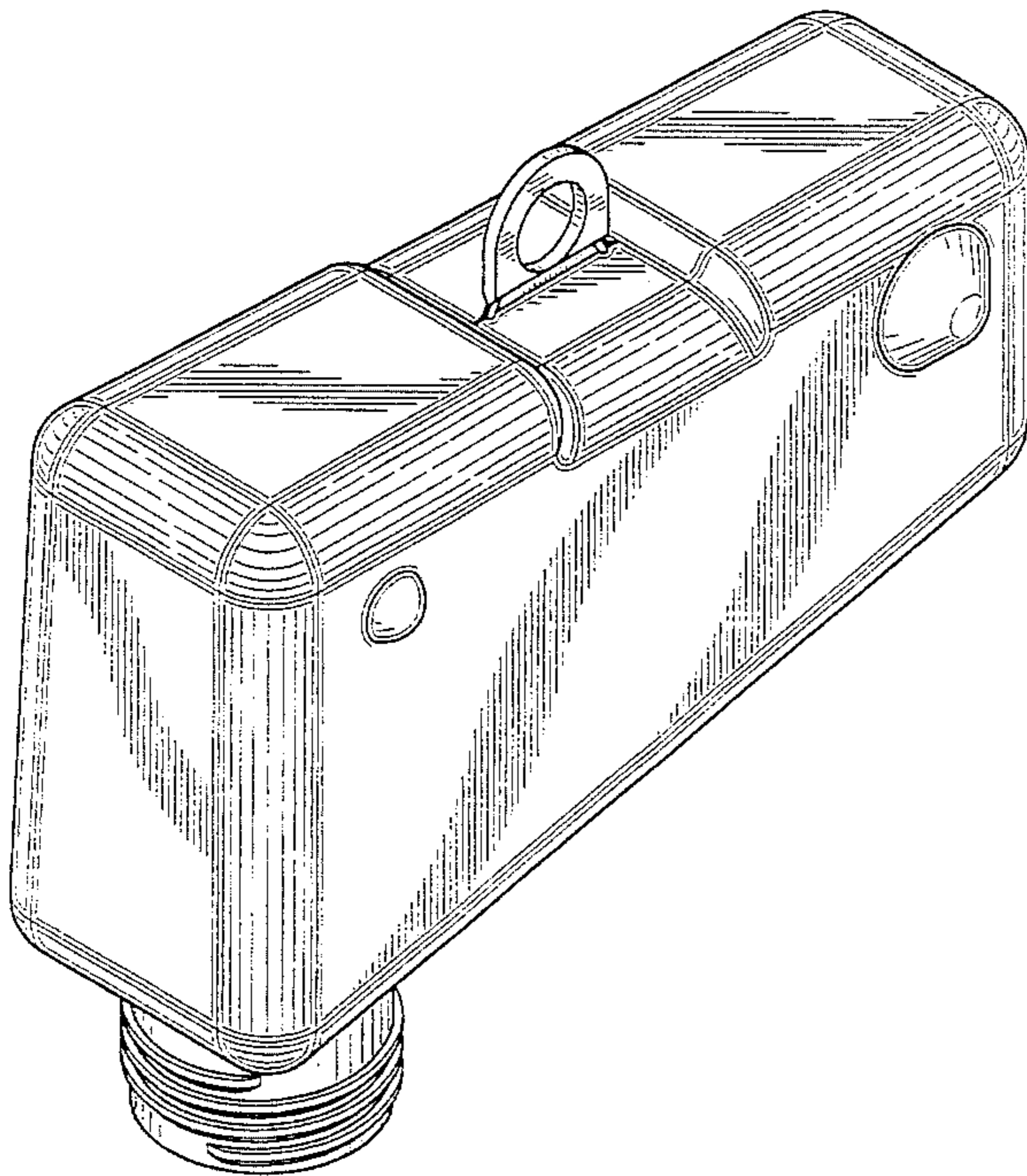
[57] **CLAIM**

The ornamental design for a container for use with a portable enteral feeding pump, as shown and described.

DESCRIPTION

FIG. 1 is a perspective view of a first embodiment of a container for use with a portable enteral feeding pump showing our new design;
 FIG. 2 is a top view thereof;
 FIG. 3 is a front elevation thereof;
 FIG. 4 is a bottom view thereof;
 FIG. 5 is a rear elevation thereof;
 FIG. 6 is a right side elevation thereof; and
 FIG. 7 is a left side-elevation thereof;
 FIG. 8 is a perspective view of a second embodiment of a container for use with a portable enteral feeding pump showing our new design;
 FIG. 9 is a top view thereof;
 FIG. 10 is a front elevation thereof;
 FIG. 11 is a bottom view thereof;
 FIG. 12 is a rear elevation thereof;
 FIG. 13 is a right-side elevation thereof; and,
 FIG. 14 is a left side elevation thereof.

1 Claim, 6 Drawing Sheets



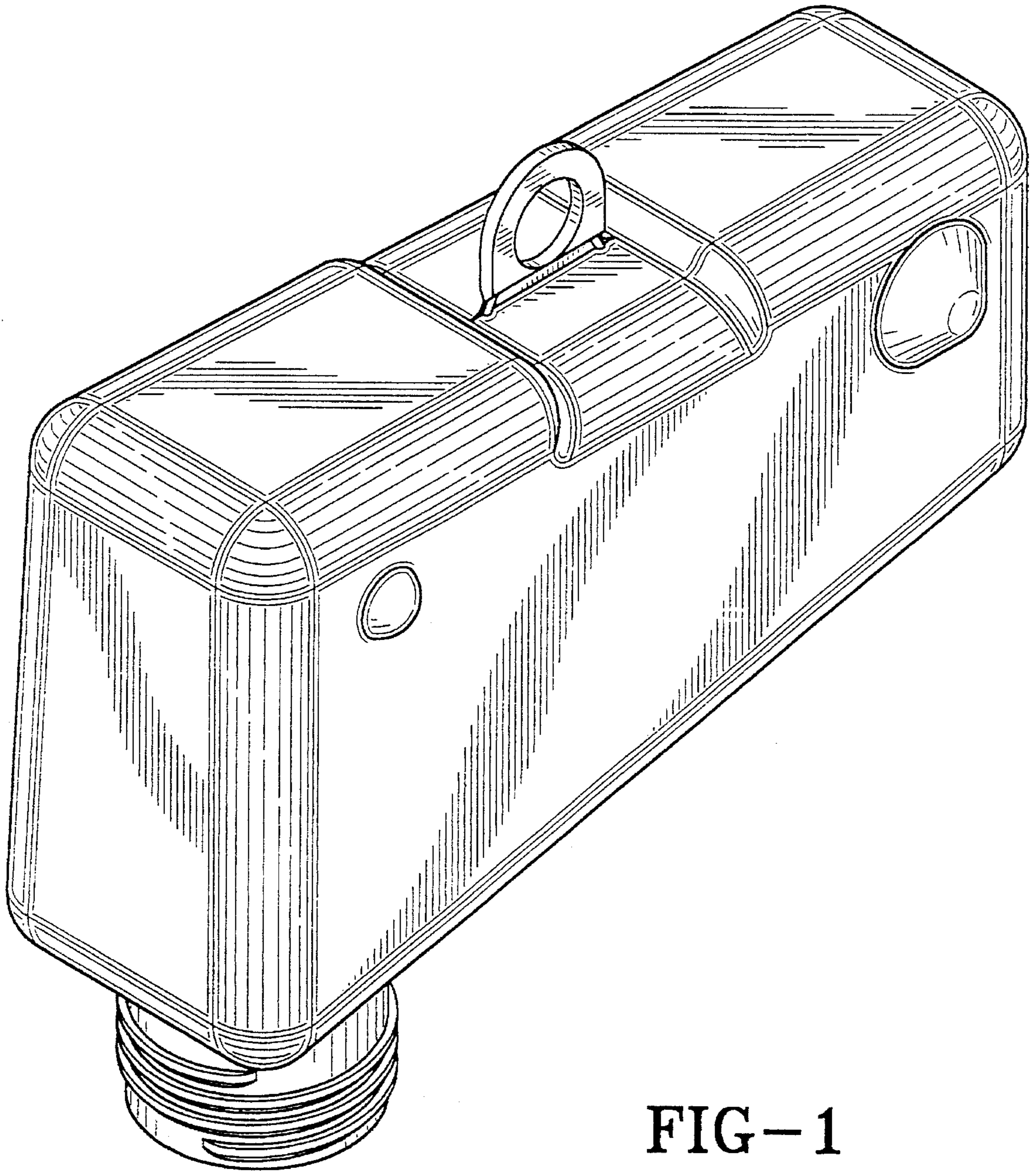


FIG-1

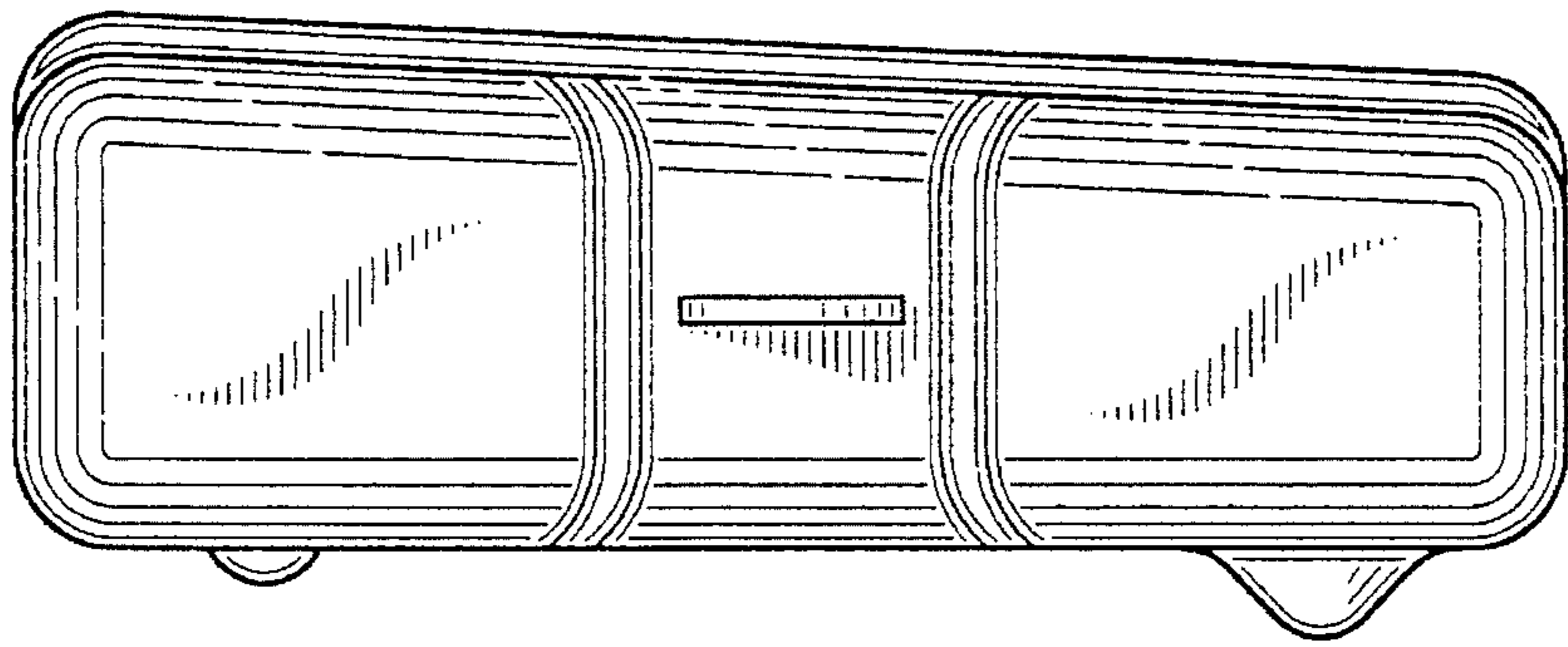


FIG-2

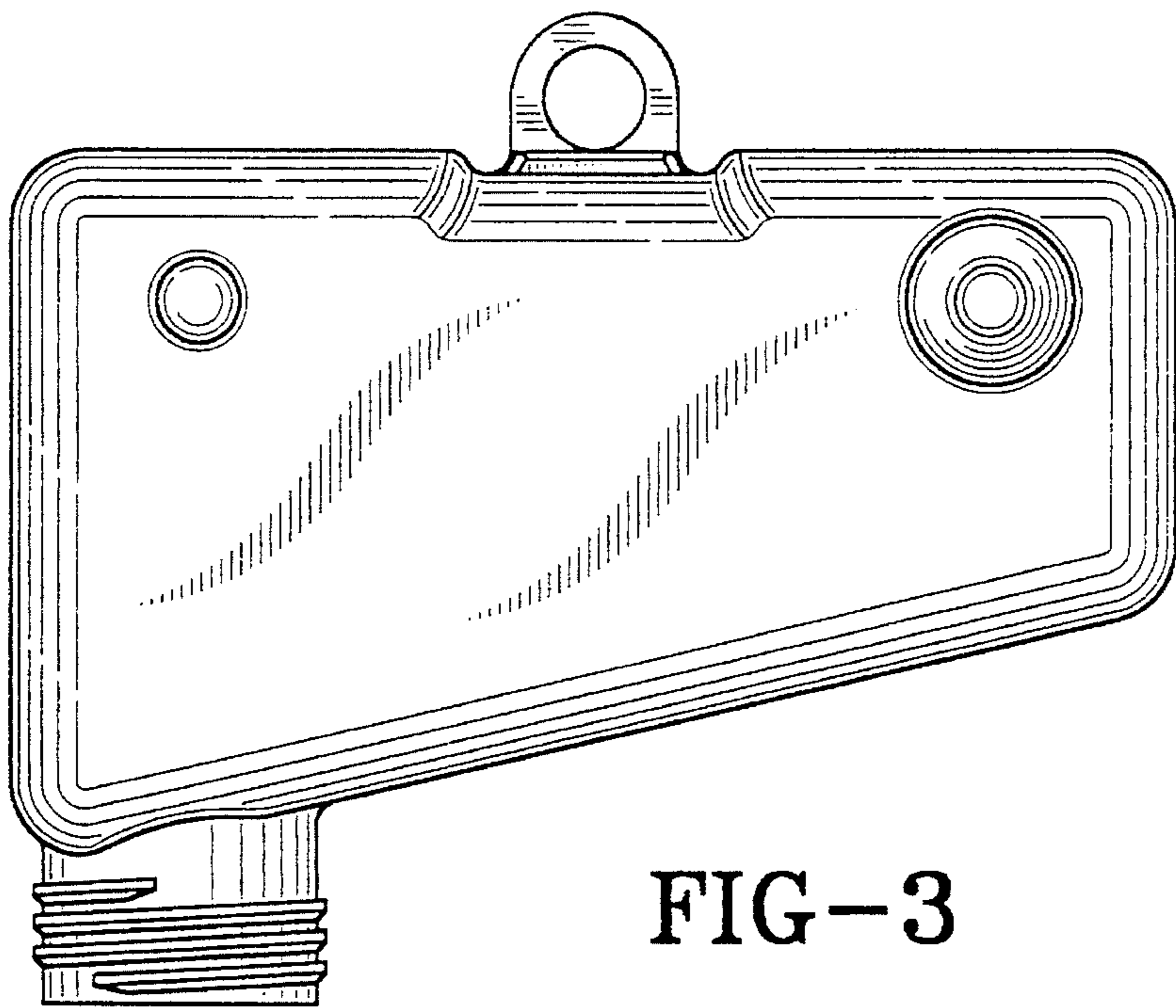


FIG-3

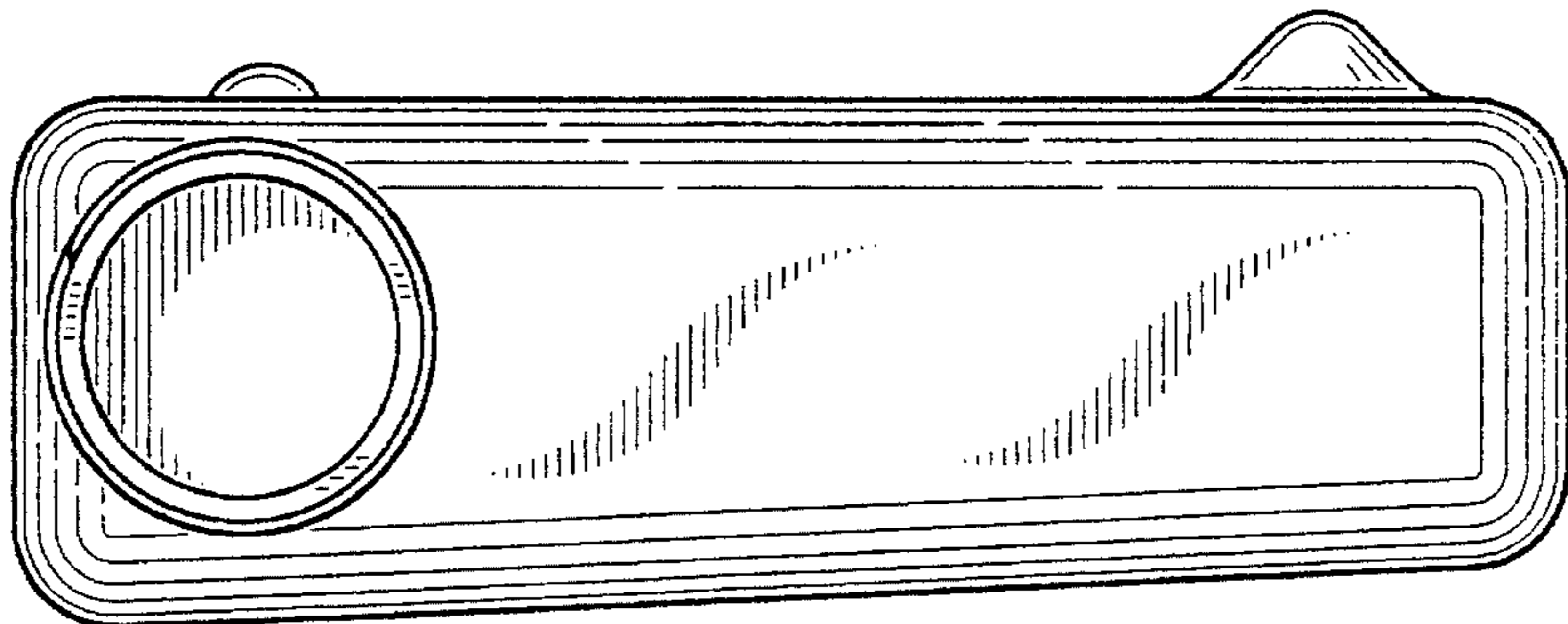


FIG-4

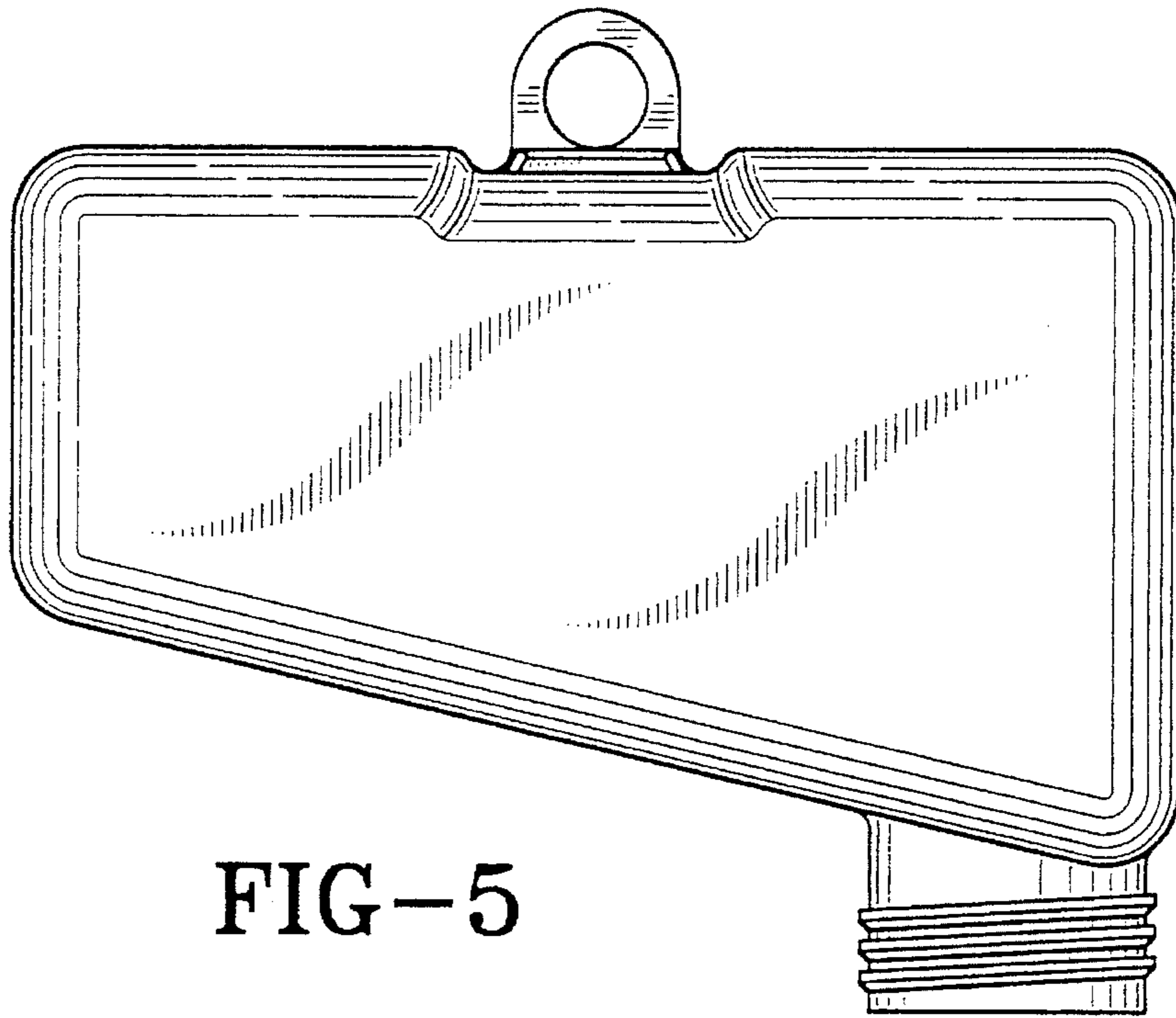


FIG-5

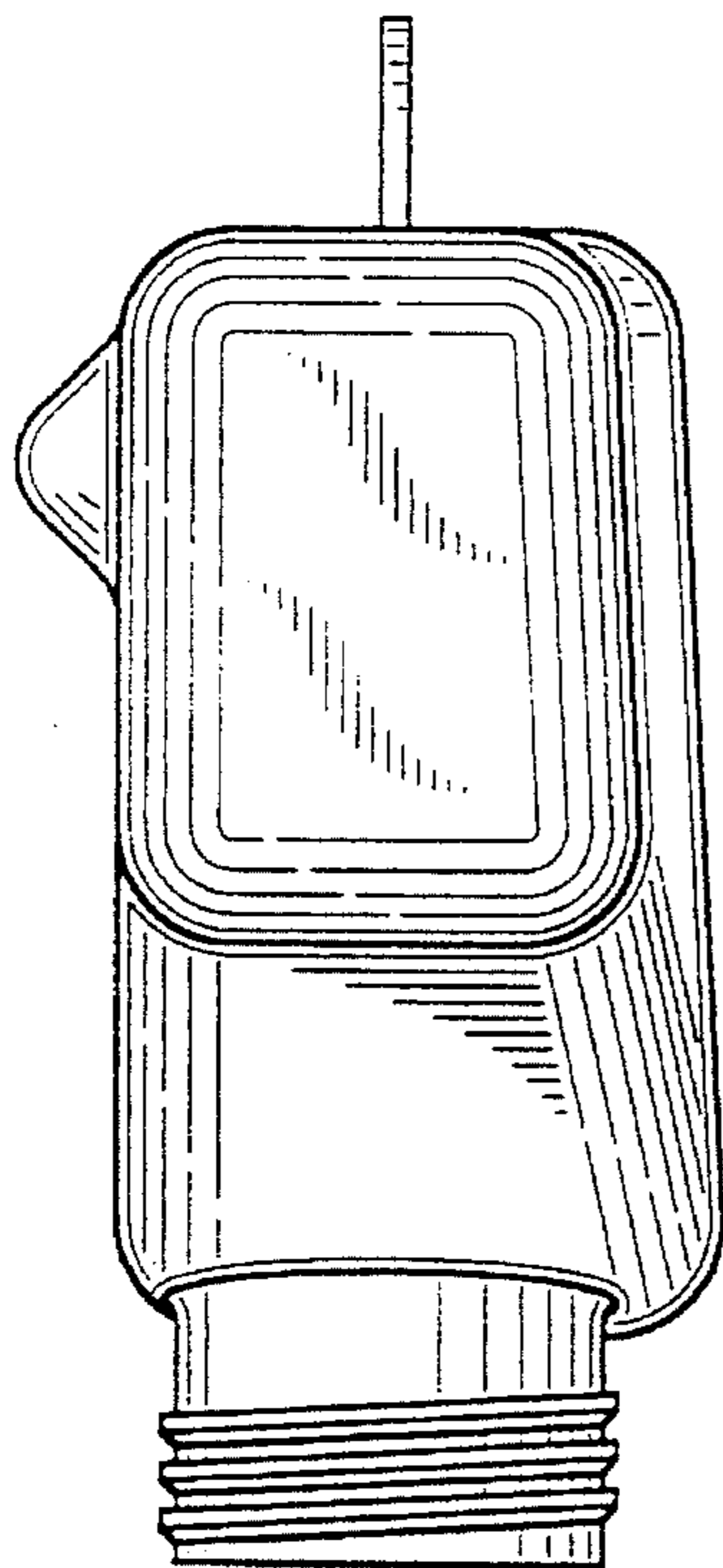


FIG-6

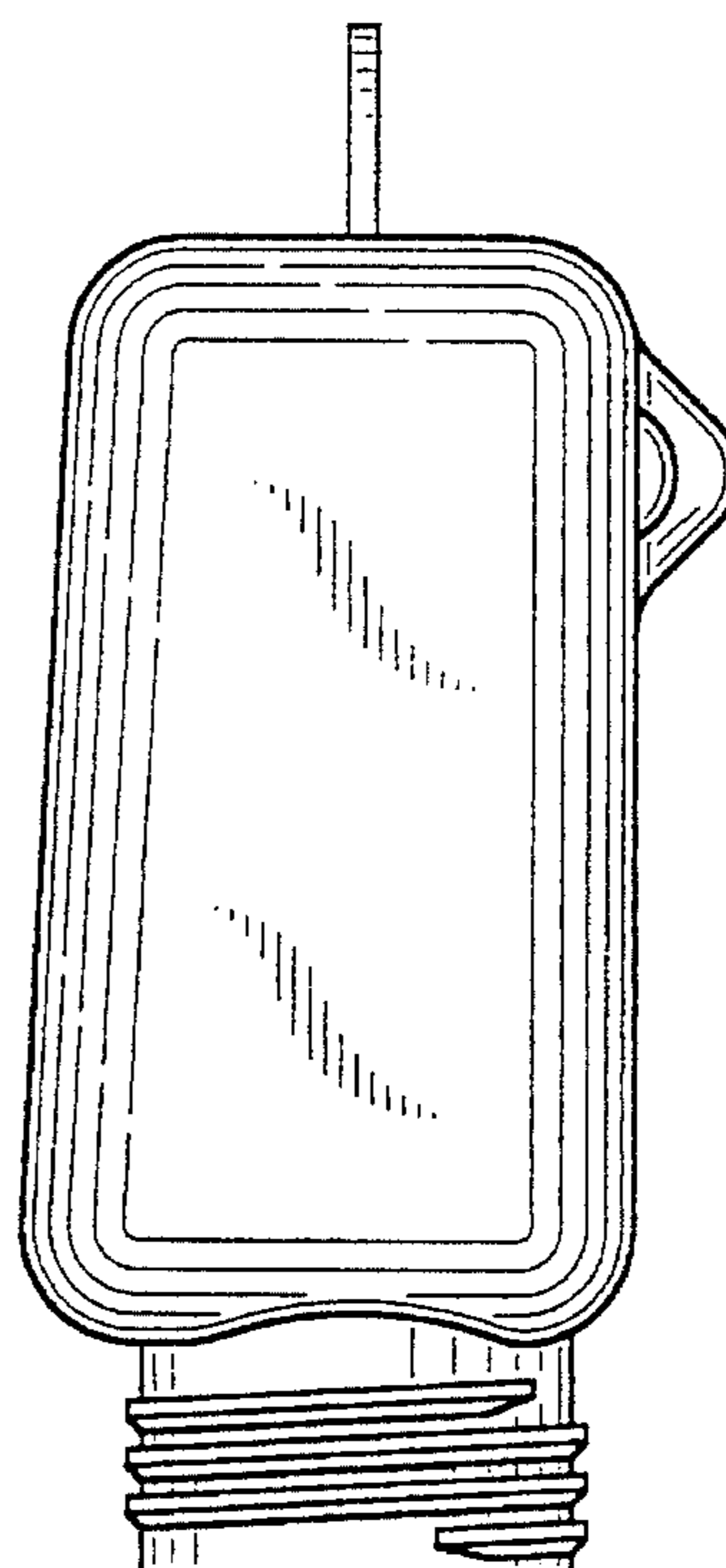


FIG-7

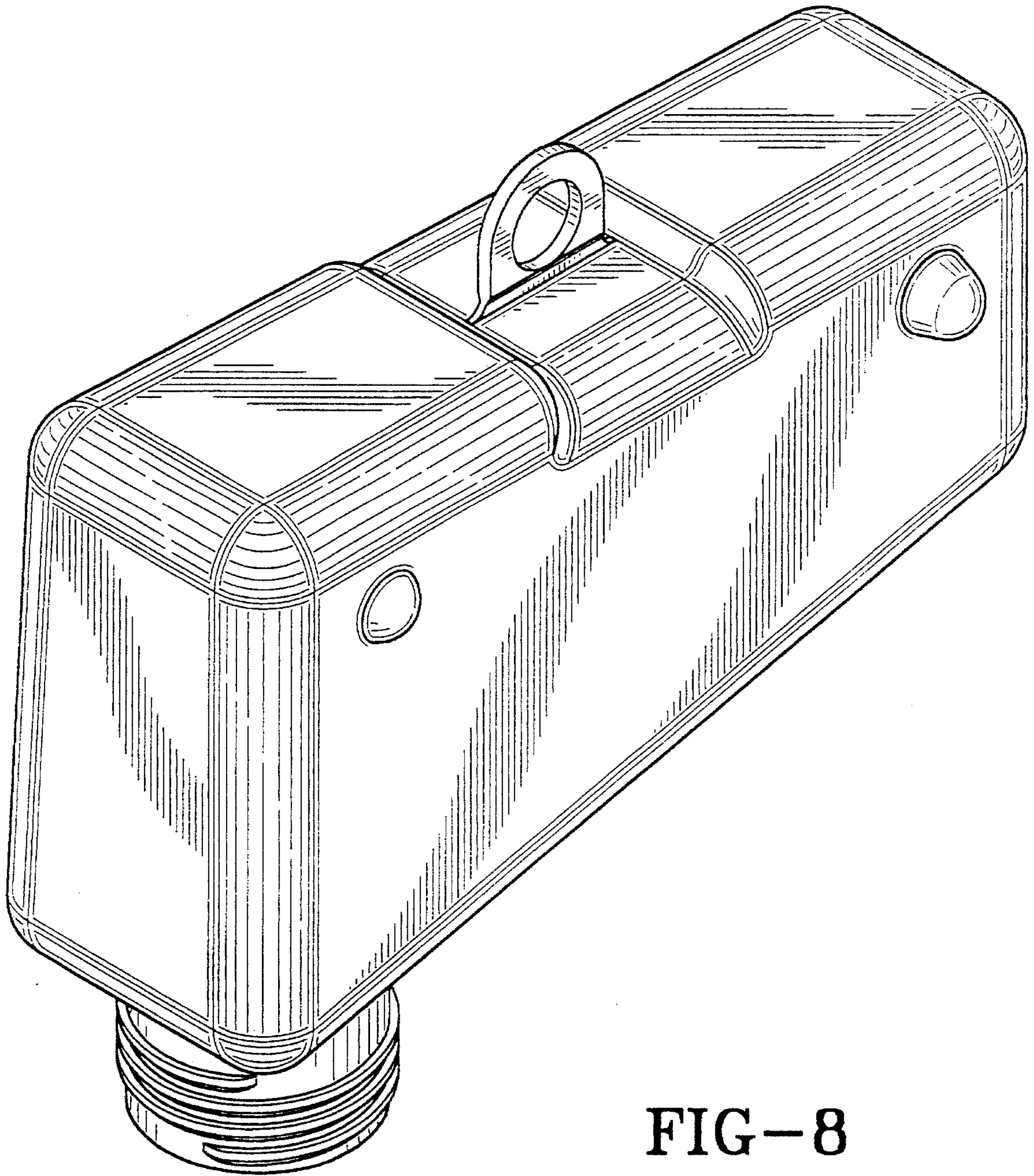


FIG-8

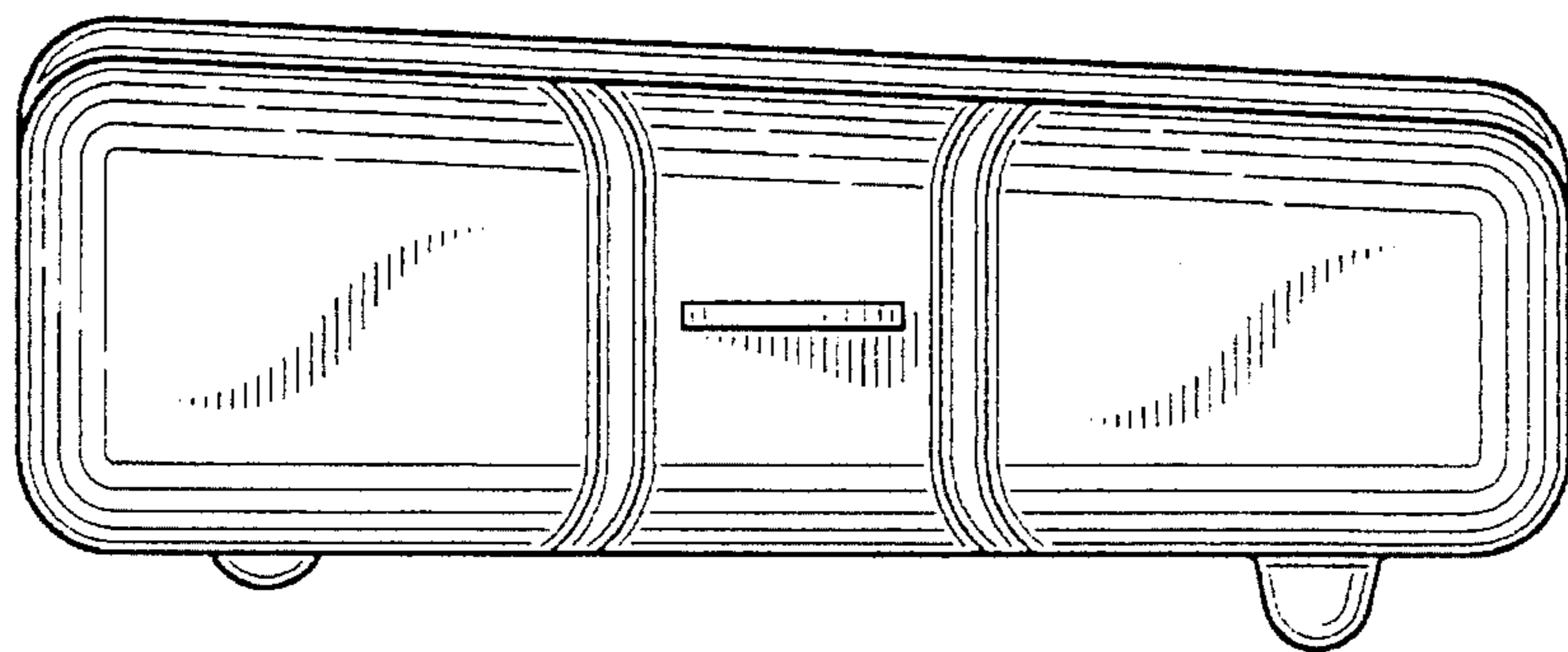


FIG-9

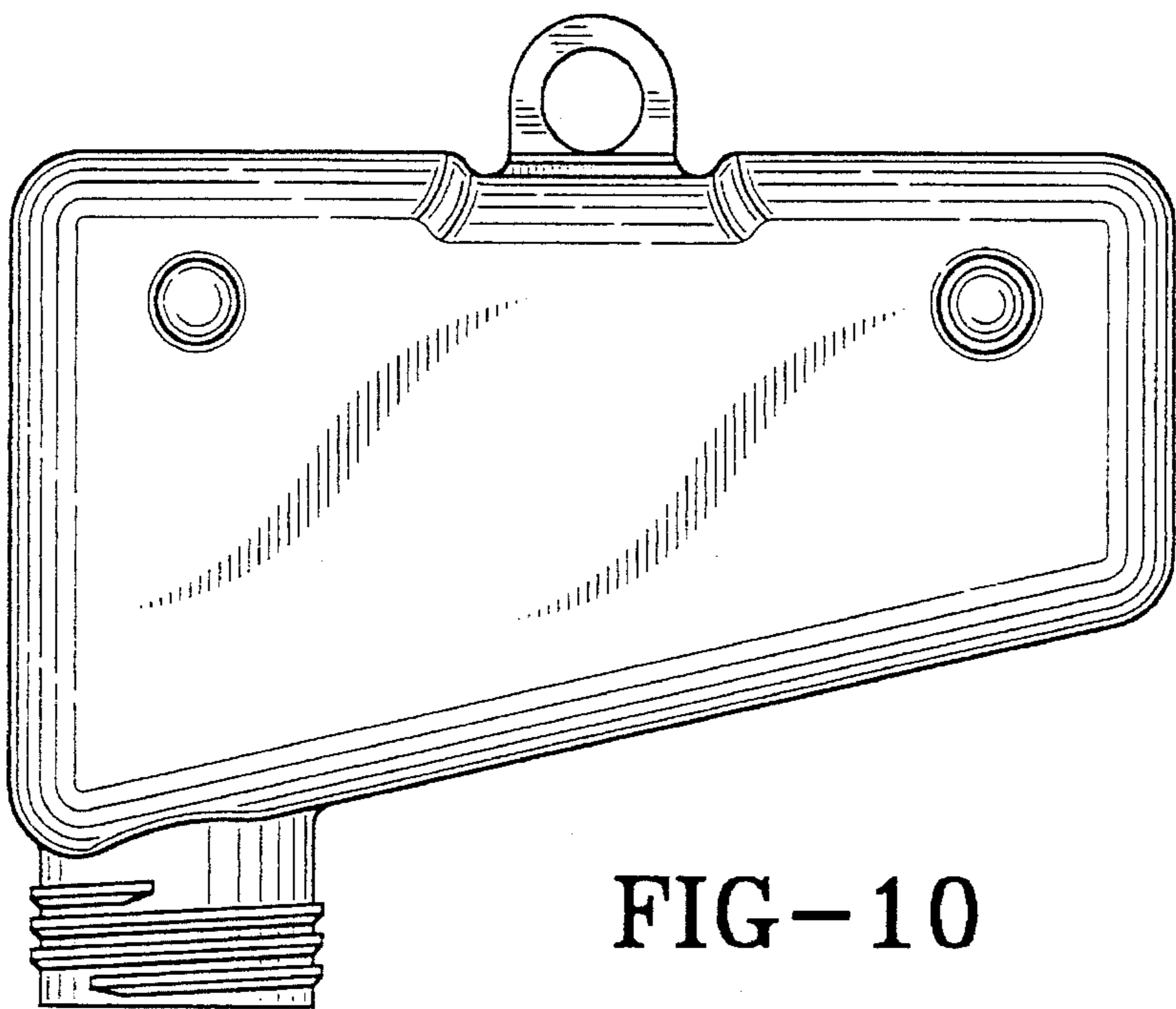


FIG-10

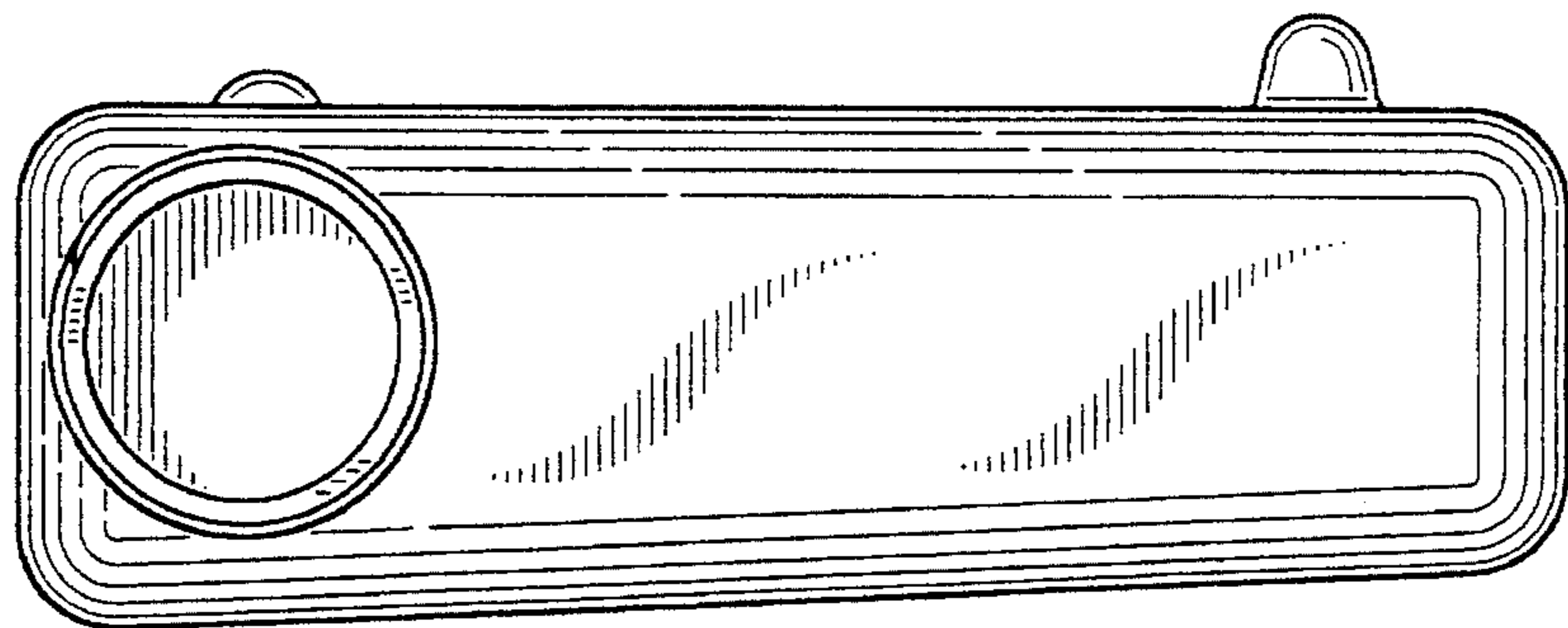


FIG-11

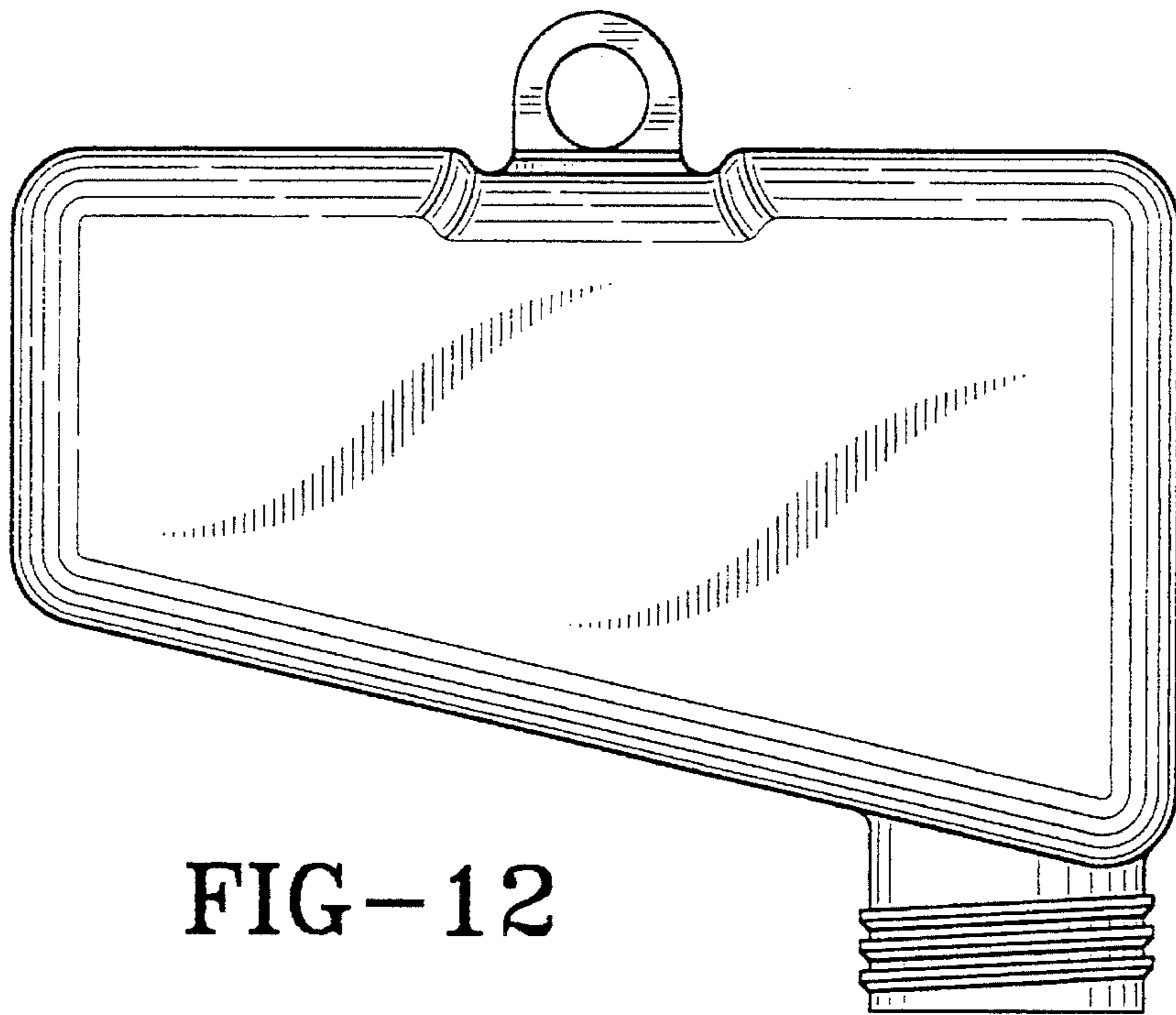


FIG-12

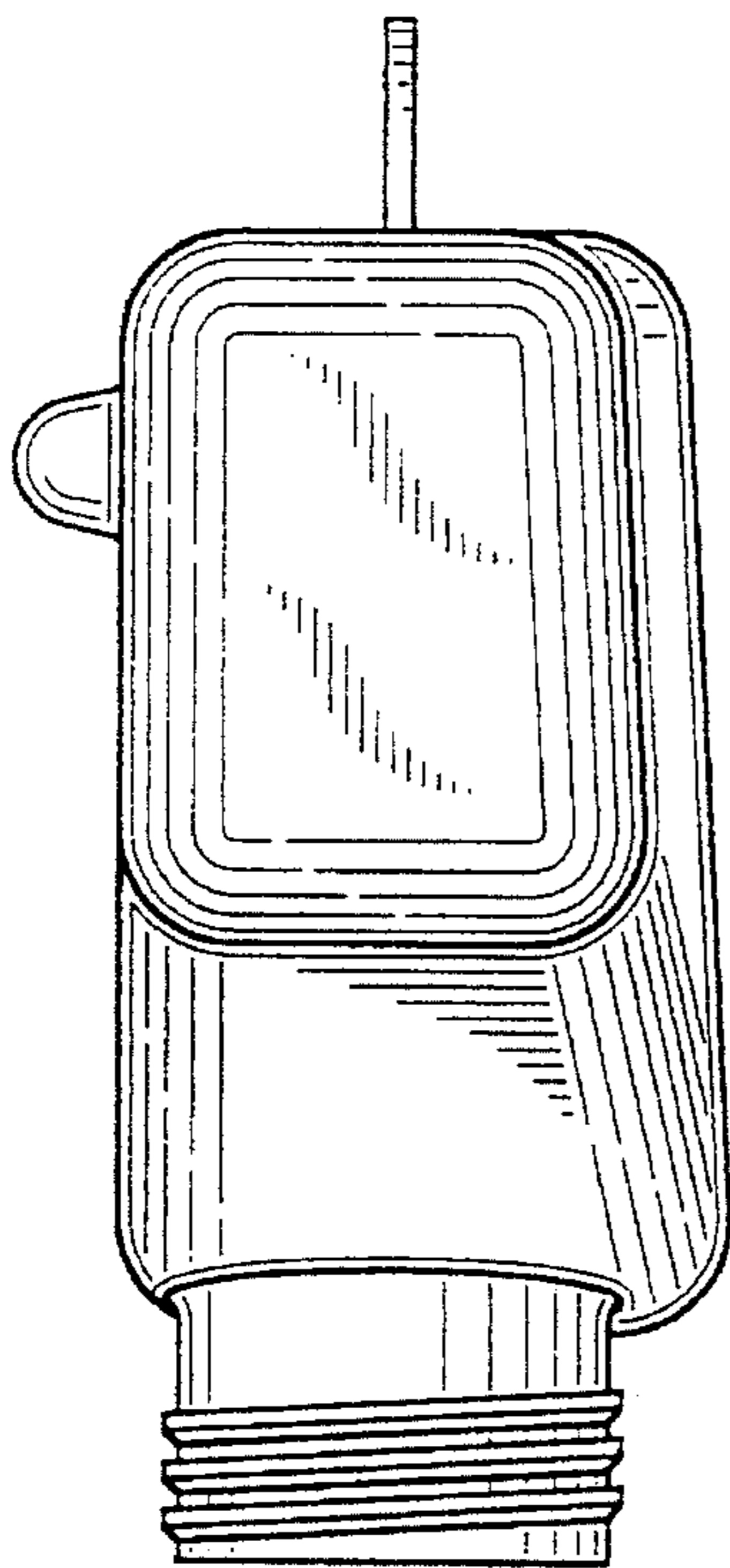


FIG-13

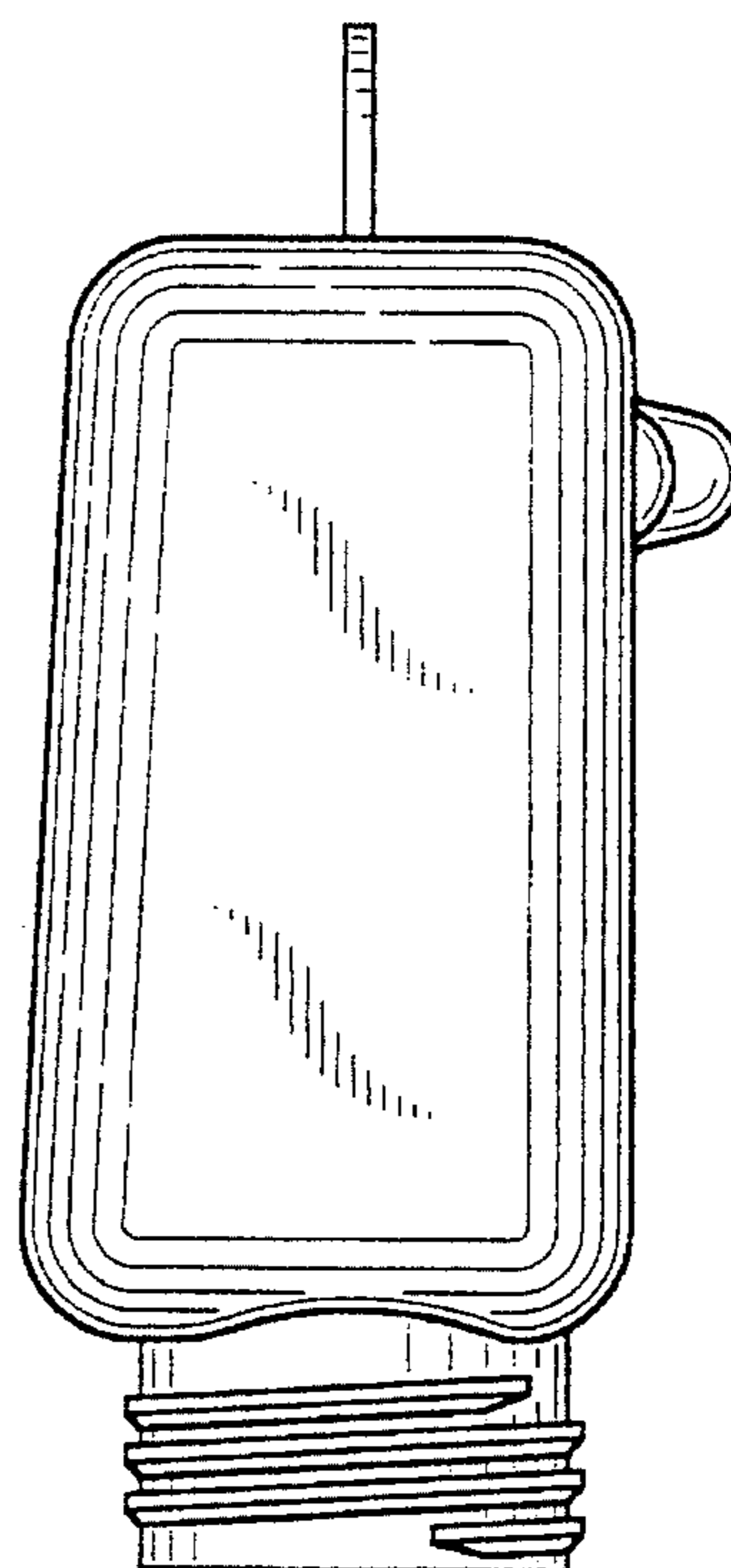


FIG-14