



US00D367324S

United States Patent [19]

[11] Patent Number: **Des. 367,324**

McCarthy et al.

[45] Date of Patent: ****Feb. 20, 1996**

[54] **ASYMMETRIC SINGLE PORTAL CANNULA**

5,106,376	4/1992	Mononen et al.	604/51 X
5,167,220	12/1992	Brown	128/4
5,383,876	1/1995	Nardella	606/39 X

[75] Inventors: **Gary R. McCarthy**, East Bridgewater;
José E. Lizardi, Medfield; **Gerard S. Carlozzi**, Weymouth, all of Mass.

FOREIGN PATENT DOCUMENTS

4201337 7/1993 Germany 606/144

[73] Assignee: **American Cyanamid Company**,
Wayne, N.J.

OTHER PUBLICATIONS

[**] Term: **14 Years**

The Weck-Baggish Hysteroscopy System, Weck, A Squibb Company.

[21] Appl. No.: **81,294**

Primary Examiner—Louis S. Zarfaz
Assistant Examiner—I. Simmons

[22] Filed: **Aug. 12, 1994**

[52] U.S. Cl. **D24/112**

[57] CLAIM

[58] **Field of Search** D24/112, 130,
D24/140; 604/51, 164, 118, 169, 164, 165,
177, 53

The ornamental design for an asymmetric single portal cannula, as shown and described.

DESCRIPTION

[56] References Cited

U.S. PATENT DOCUMENTS

2,691,370	10/1954	Wallace	128/6
3,858,577	1/1975	Bass et al.	128/8
4,369,768	1/1983	Vukovic	128/6
4,461,280	7/1984	Baumgartner	128/1.2
4,535,773	8/1985	Yoon	604/51
4,573,448	3/1986	Kambin	128/1
5,021,044	6/1991	Sharkawag	604/164 X

FIG. 1 is a right side elevational view thereof;
FIG. 2 is a top plan view thereof;
FIG. 3 is a front elevational view thereof;
FIG. 4 is a back elevational view thereof;
FIG. 5 is a left side elevational view thereof; and,
FIG. 6 is a bottom plan view thereof.

1 Claim, 3 Drawing Sheets

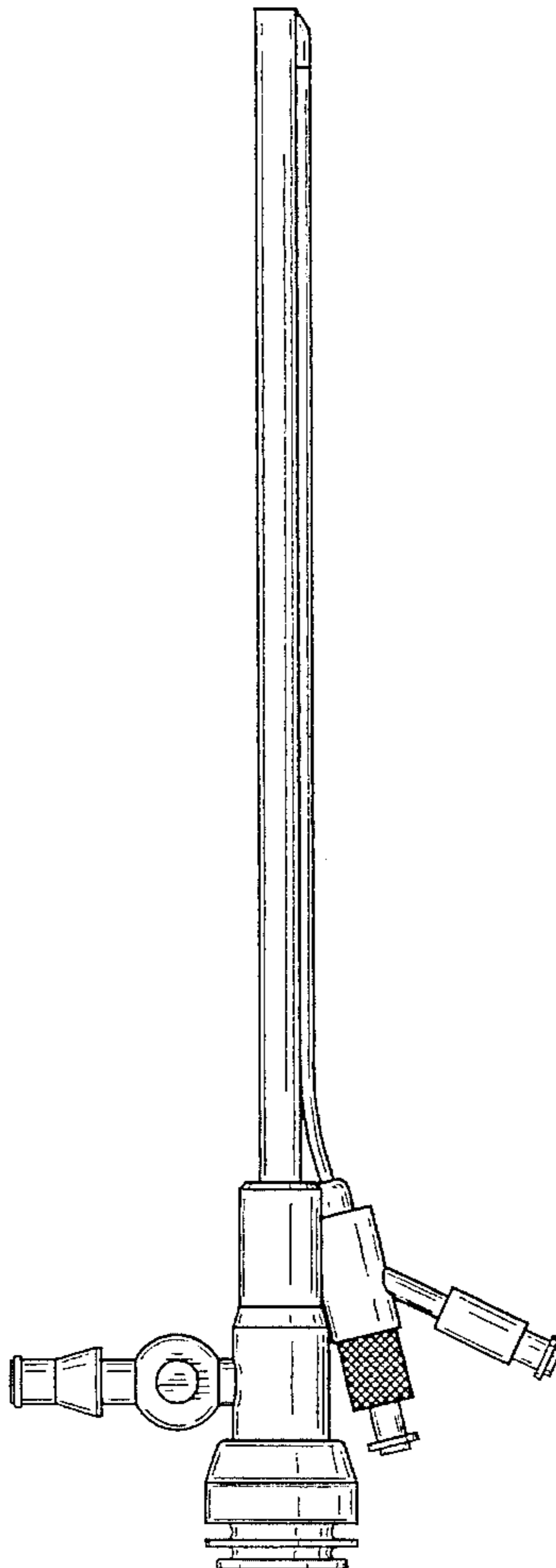


FIG-1

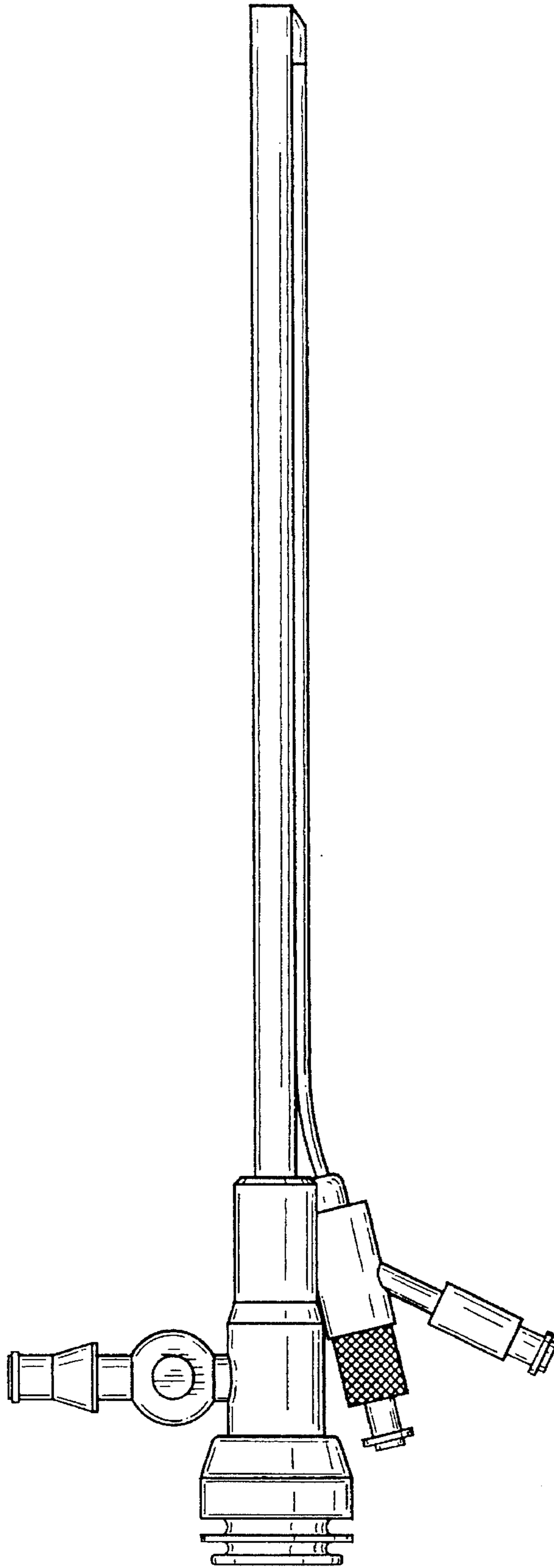


FIG-2

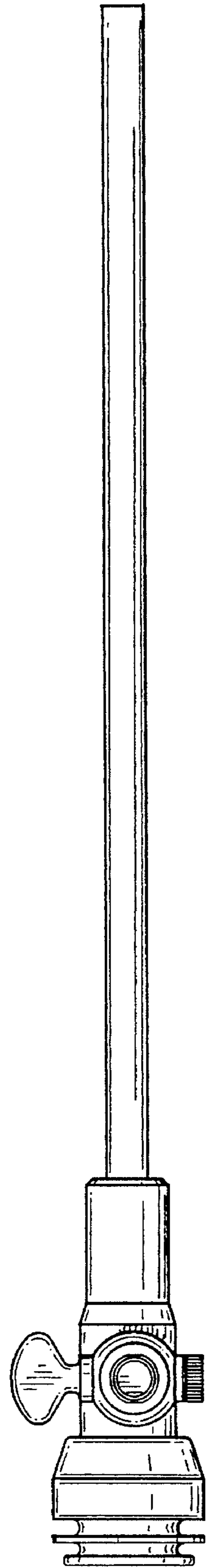


FIG-4

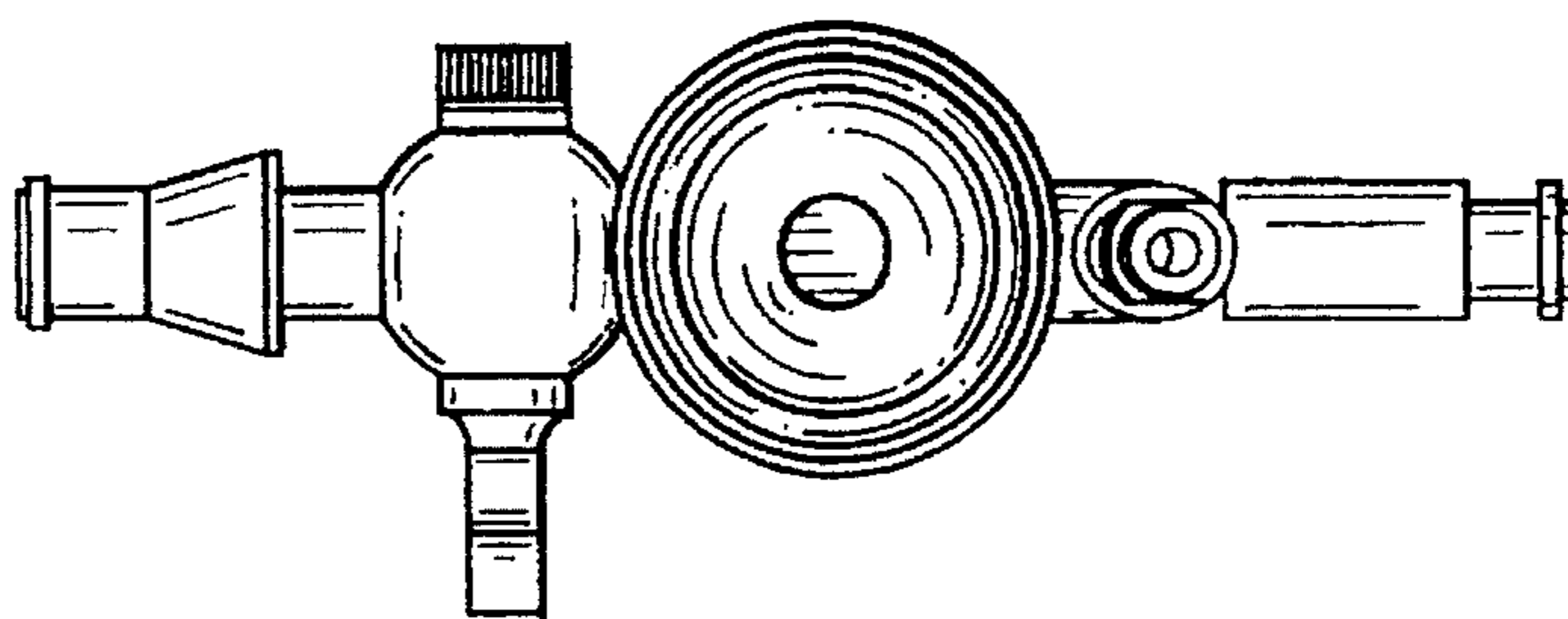
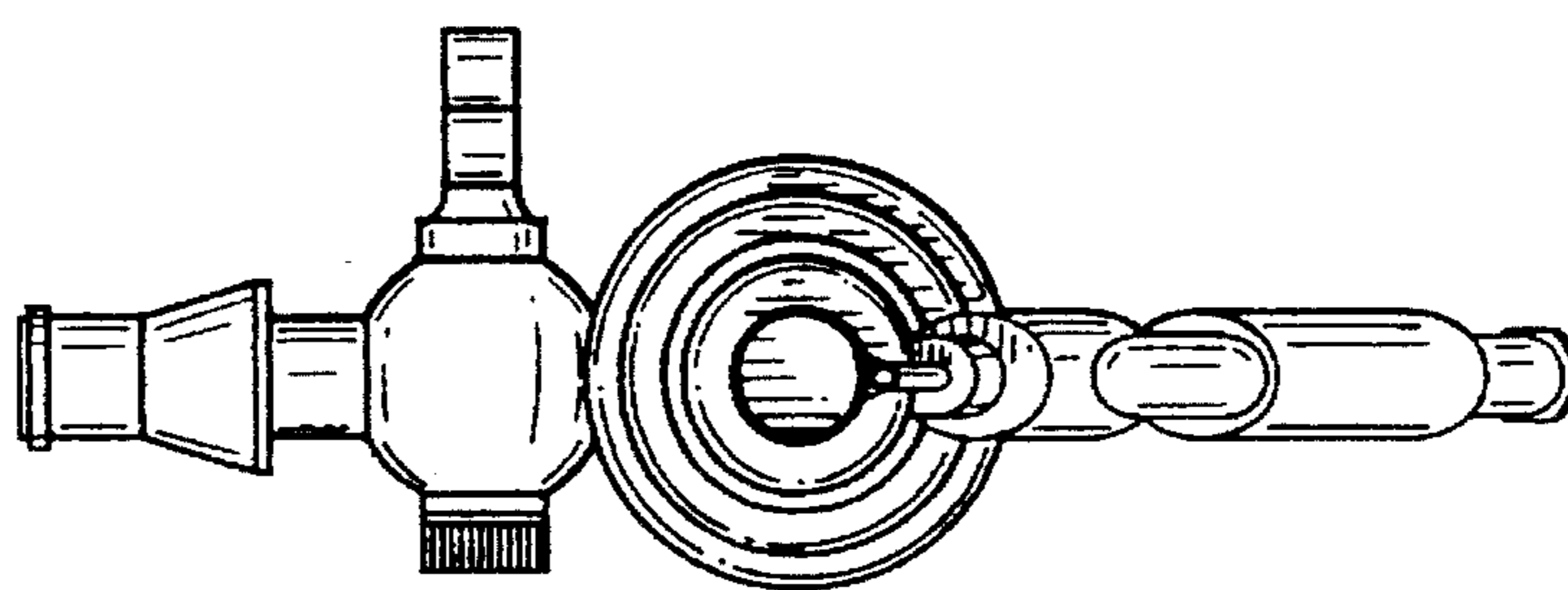


FIG-3



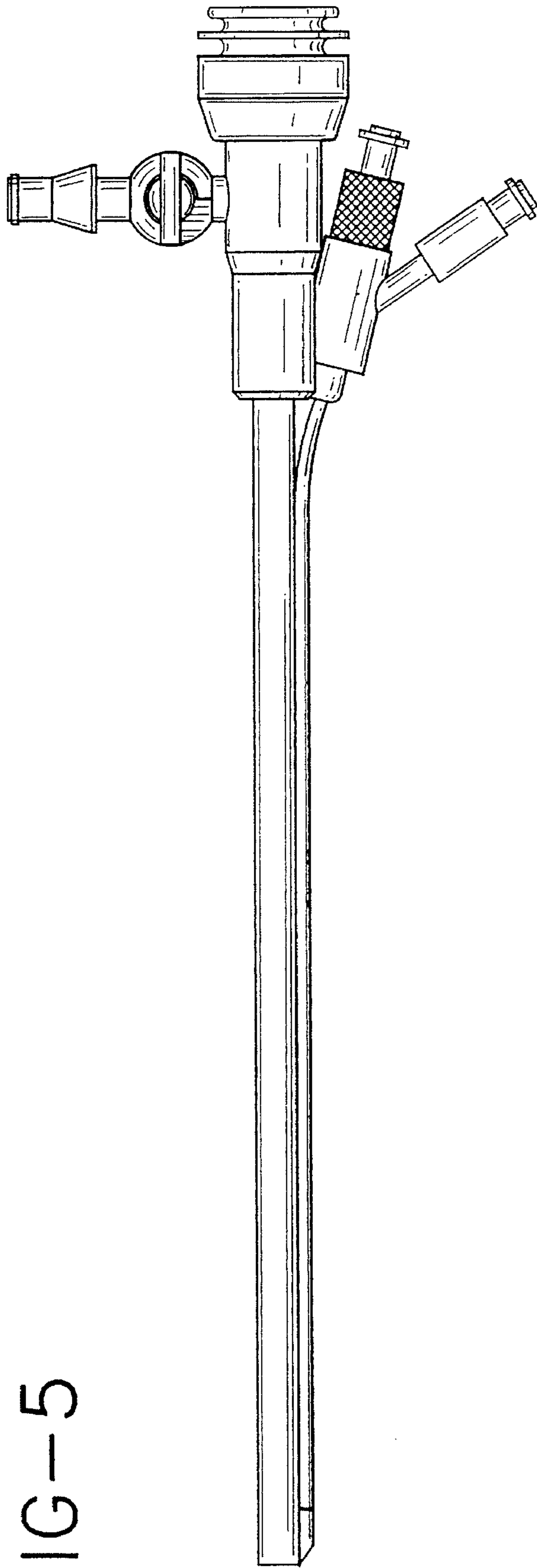


FIG-5

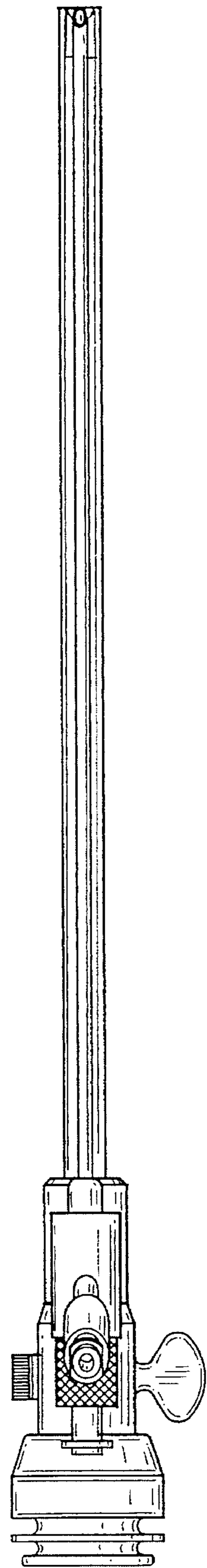


FIG-6