



US00D367321S

United States Patent [19]
Holbrook

[11] **Patent Number: Des. 367,321**

[45] **Date of Patent: **Feb. 20, 1996**

[54] **COMBINED MOTOR HOUSING AND BLADE IRONS UNIT FOR AN ELECTRIC CEILING FAN**

Hunter Fan Co. Cat., ©1987, p. 2, Ceiling Fan (B), top right side of page.

[75] Inventor: **Richard M. Holbrook**, Pasadena, Calif.

Primary Examiner—Lisa P. Lichtenstein
Attorney, Agent, or Firm—Charles H. Schwartz; ELLsworth R. Roston

[73] Assignee: **Casablanca Fan Company**, City of Industry, Calif.

[**] Term: **14 Years**

[57] **CLAIM**

[21] Appl. No.: **37,498**

The ornamental design for a combined motor housing and blade irons unit for an electric ceiling fan, as shown and described.

[22] Filed: **Apr. 14, 1995**

[52] U.S. Cl. **D23/411; D23/377; D23/379; D23/385**

DESCRIPTION

[58] **Field of Search** **D23/377, 379, D23/385, 411; 416/5; 392/364; 362/96; D26/81-86, 88, 51, 59, 72**

FIG. 1 is a perspective view of combined motor housing and blade irons unit for an electric ceiling fan showing my new design;

FIG. 2 is an enlarged side elevational view thereof, the opposite side being a mirror image of that shown;

FIG. 3 is an enlarged bottom plan view thereof; and,

FIG. 4 is an enlarged top plan view thereof.

The broken line showing of environmental structure in FIGS. 1 and 2 is for illustrative purposes only and forms no part of the claimed design.

[56] **References Cited**

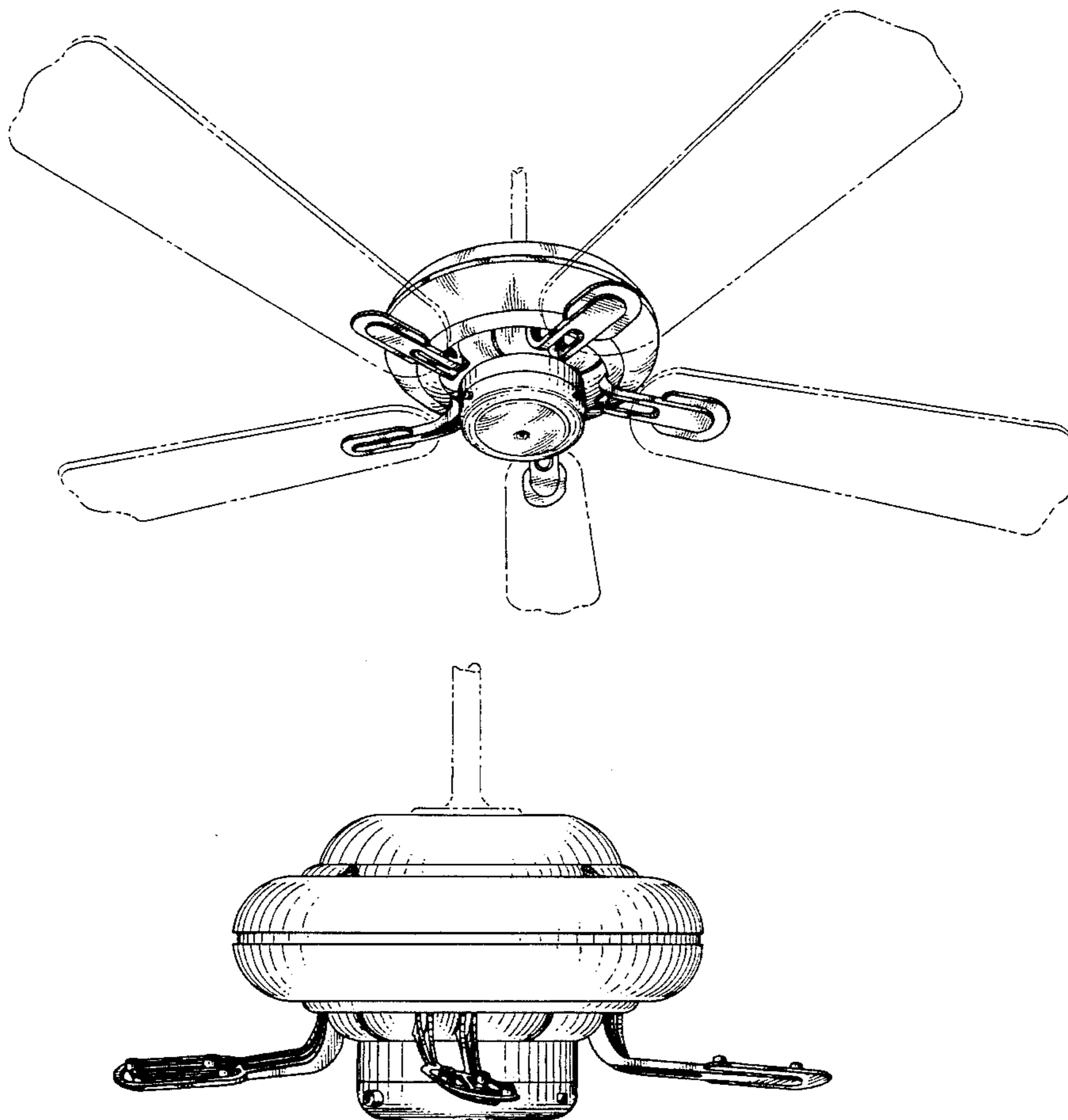
U.S. PATENT DOCUMENTS

D. 345,206	3/1994	DiPasquale	D23/377
D. 346,209	4/1994	Holbrook	D23/379
5,330,323	7/1994	Swanson	416/5

OTHER PUBLICATIONS

Casablanca Fan Co. Avd. Flyer, p. 2, Ceiling Fans (A), (B) and (C), left side of page.

1 Claim, 4 Drawing Sheets



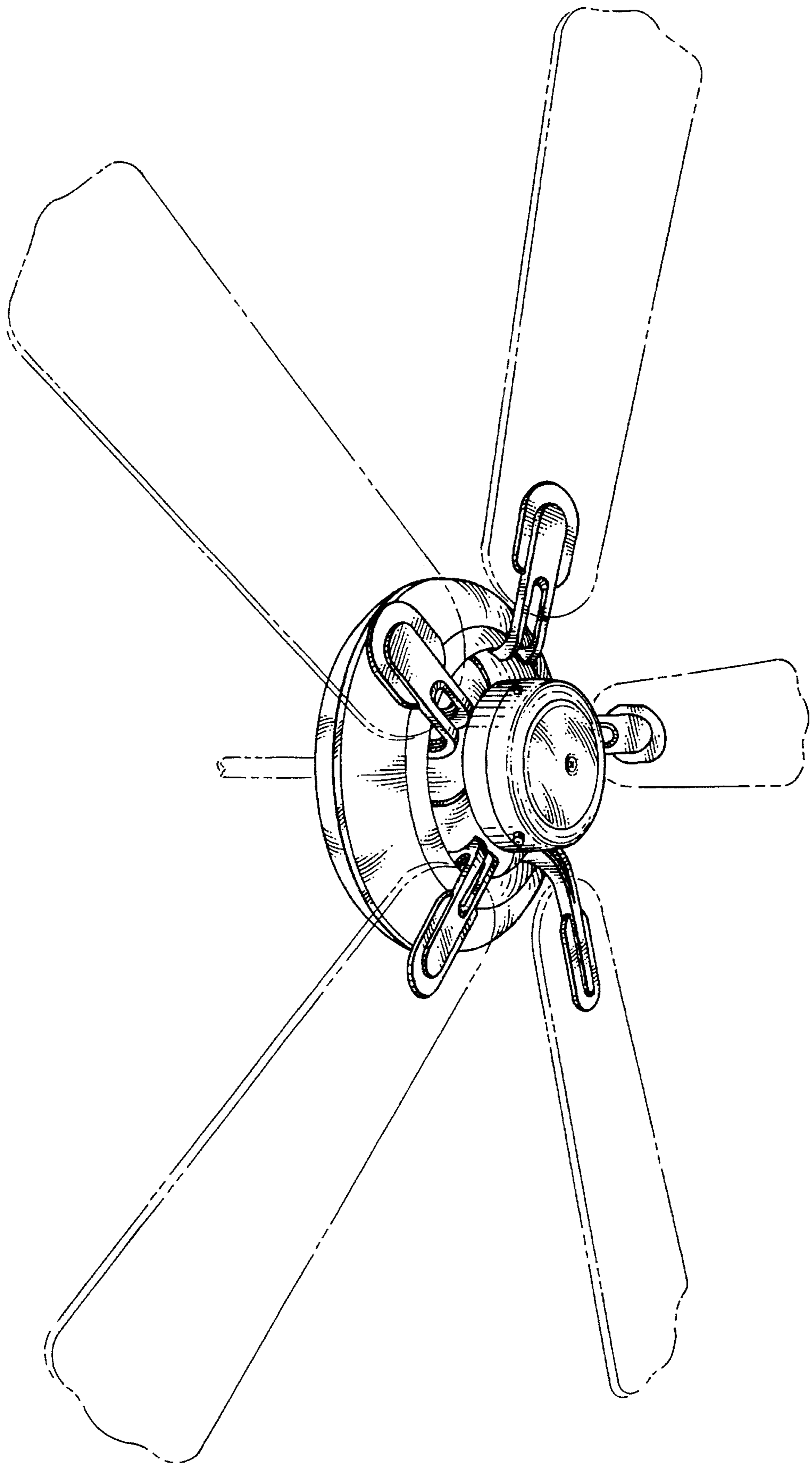
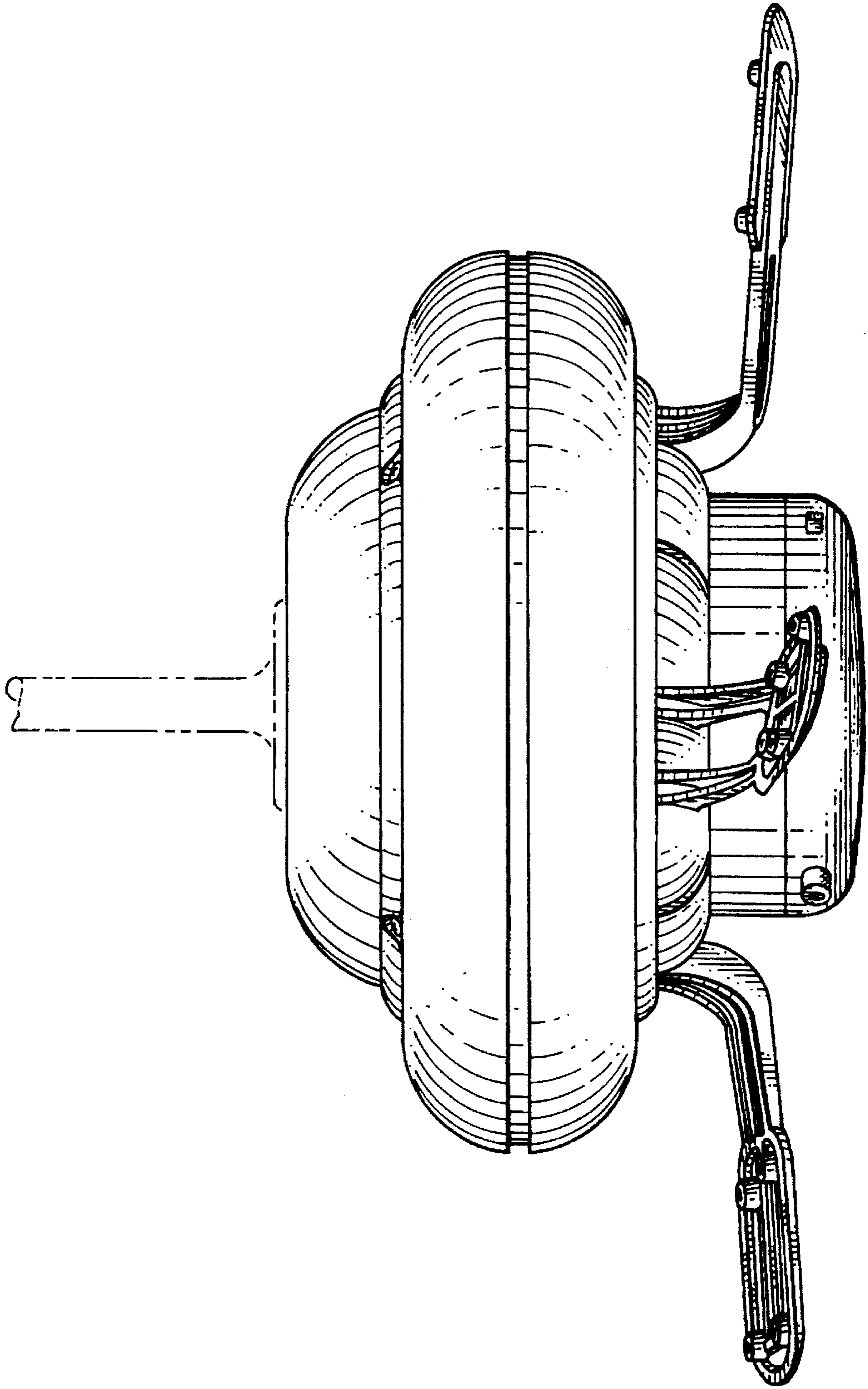
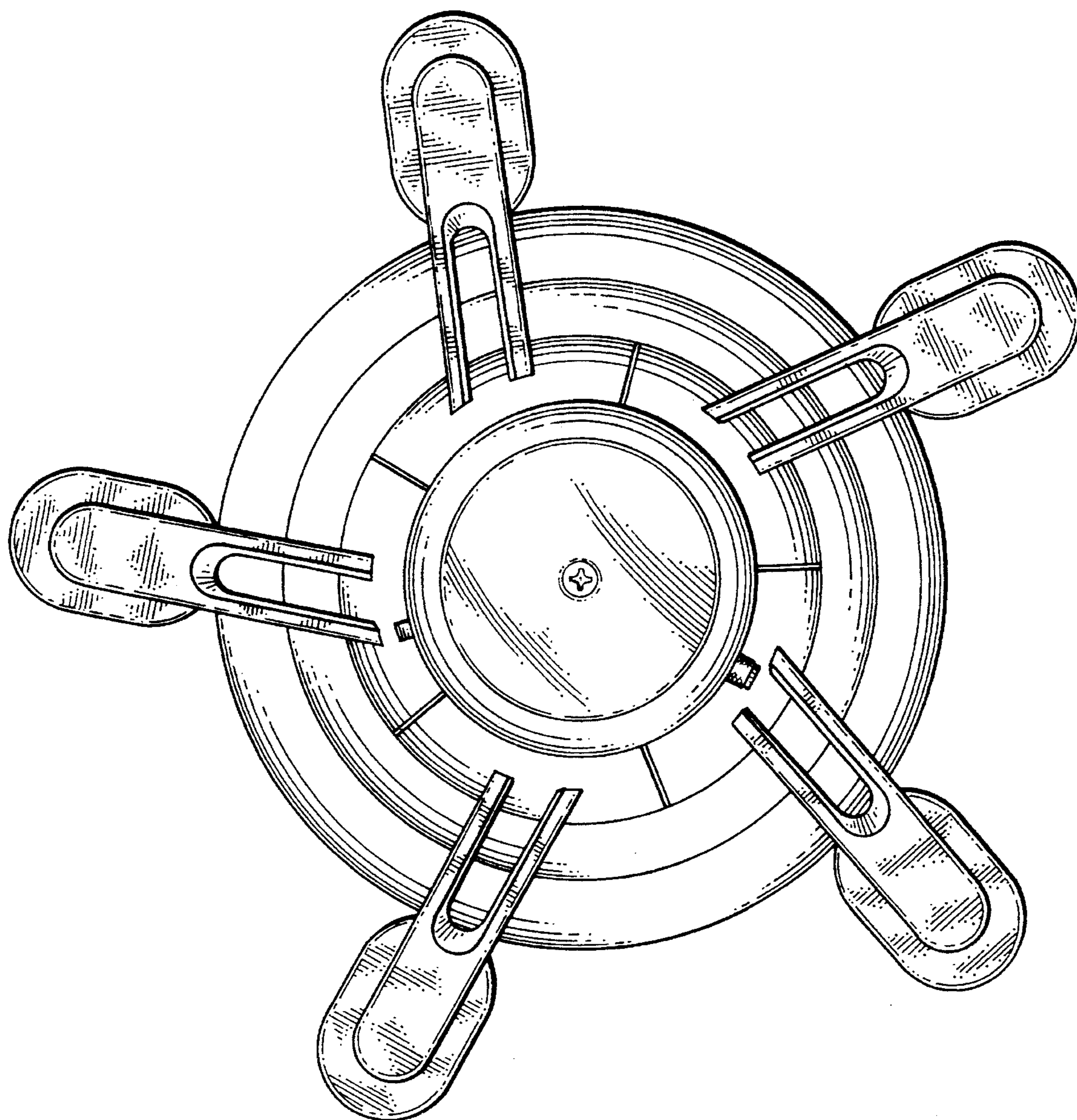


FIG. 1





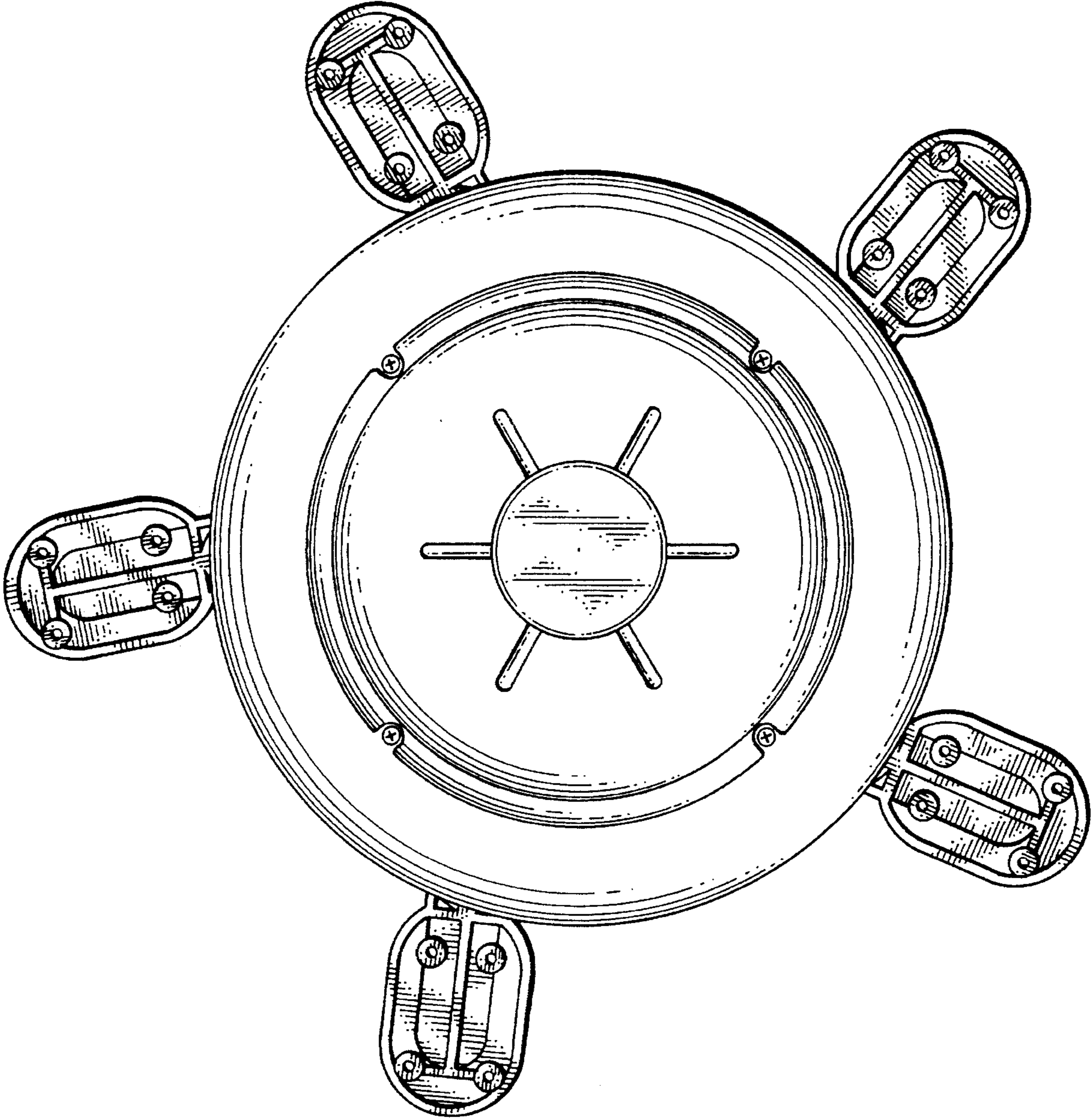


FIG. 4