



US00D367319S

# United States Patent [19]

[11] Patent Number: **Des. 367,319**

Isabelle et al.

[45] Date of Patent: **\*\*Feb. 20, 1996**

[54] **FRONT PORTION OF A KITCHEN HOOD**

[75] Inventors: **Paul Isabelle; Aldo Balatti**, both of St-Augustin de Desmaures; **Claude Labrecque**, Mont St-Hilaire, all of Canada

[73] Assignee: **Venmar Ventilation Inc.**, Drummondville, Canada

[\*\*] Term: **14 Years**

[21] Appl. No.: **34,306**

[22] Filed: **Feb. 1, 1995**

### Related U.S. Application Data

[62] Division of Ser. No. 12,261, Aug. 27, 1993, Pat. No. Des. 361,376.

[52] U.S. Cl. .... **D23/372; D7/406**

[58] Field of Search ..... **D23/372; 126/299 D, 126/299 R; D7/406**

### [56] References Cited

#### U.S. PATENT DOCUMENTS

3,075,335	1/1963	Bandlow	126/299 D
3,690,245	9/1972	Feruse et al.	126/299 D

#### FOREIGN PATENT DOCUMENTS

1107388	5/1961	Germany	126/299 D
---------	--------	---------	-----------

Primary Examiner—Lisa P. Lichtenstein

Attorney, Agent, or Firm—Ronald S. Kosie; Robert Brouillette

### [57] CLAIM

The ornamental design for a front portion of a kitchen hood, as shown and described.

### DESCRIPTION

FIG. 1 is a perspective view of the front portion of a kitchen hood;

FIG. 2 is a front view of the front portion of a kitchen hood of FIG. 1;

FIG. 3 is a plan view of the front portion of a kitchen hood of FIG. 1;

FIG. 4 is a right elevation view of the front portion of a kitchen hood of FIG. 1;

FIG. 5 is a bottom view of the front portion of a kitchen hood of FIG. 1;

FIG. 6 is a perspective view of the front portion of a kitchen hood showing a second embodiment of our new design;

FIG. 7 is a front view of the front portion of a kitchen hood of FIG. 7;

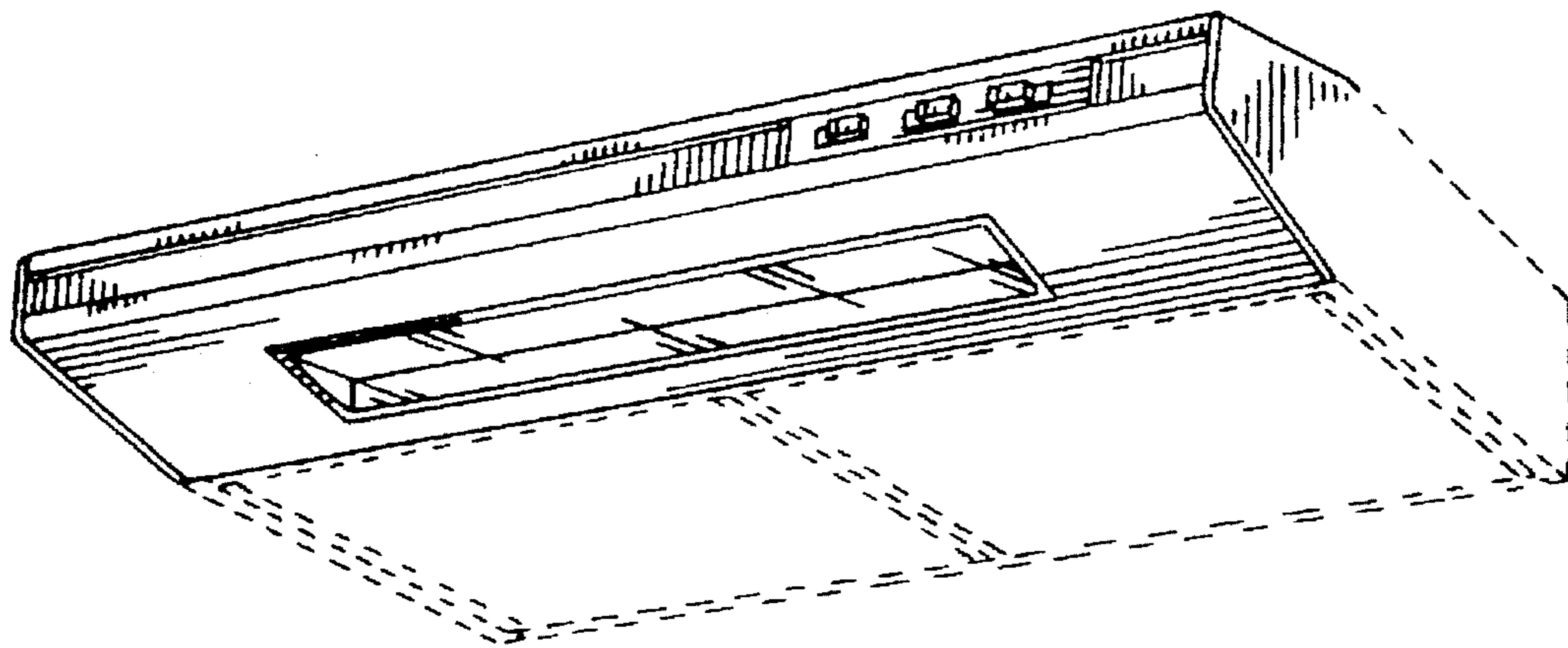
FIG. 8 is a plan view of the front portion of a kitchen hood of FIG. 7;

FIG. 9 is a right elevation view of the front portion of a kitchen hood of FIG. 7; and,

FIG. 10 is a bottom view of the front portion of a kitchen hood of FIG. 7.

The broken line showing of environmental structure is for illustrative purposes only and forms no part of the claimed design.

1 Claim, 2 Drawing Sheets



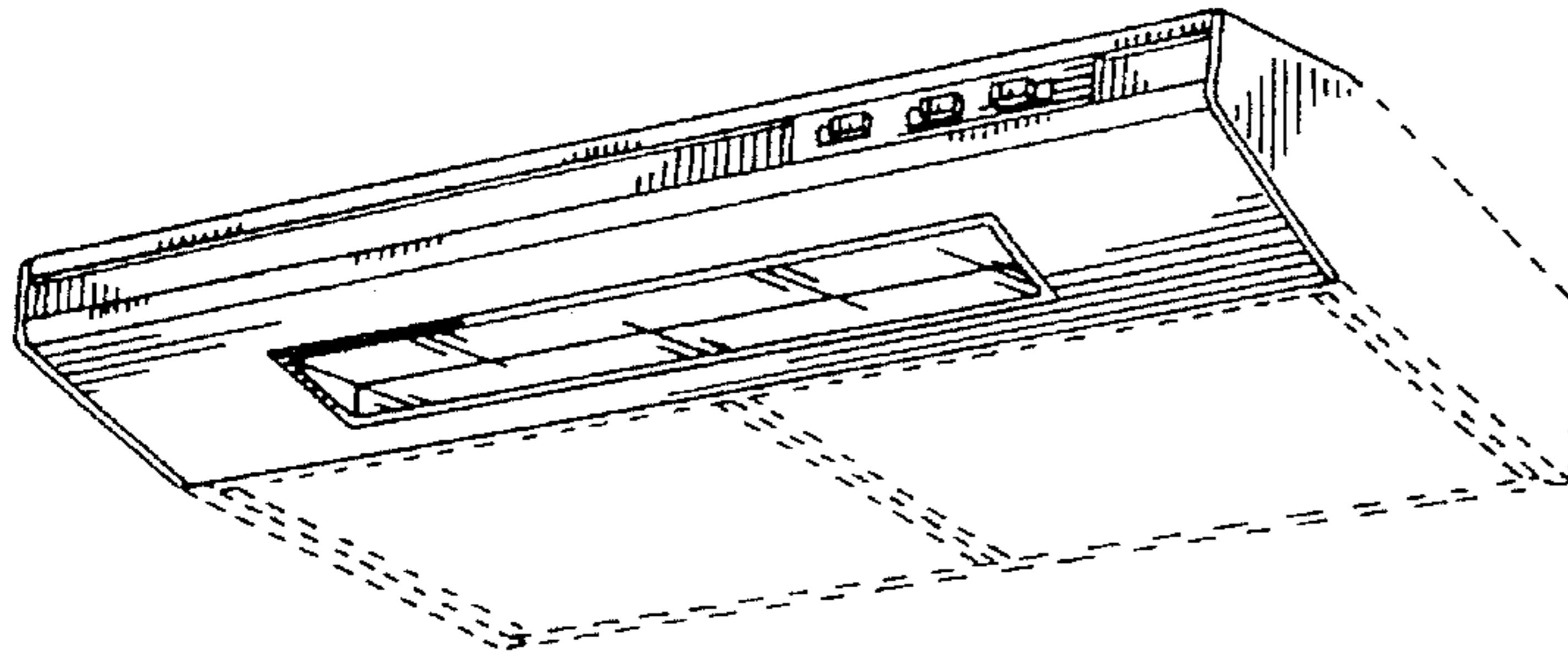


FIG. 1

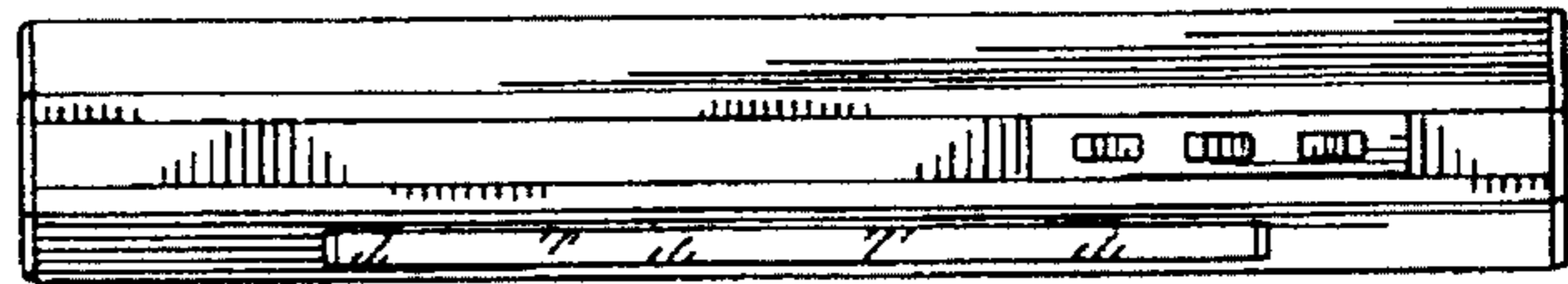


FIG. 2

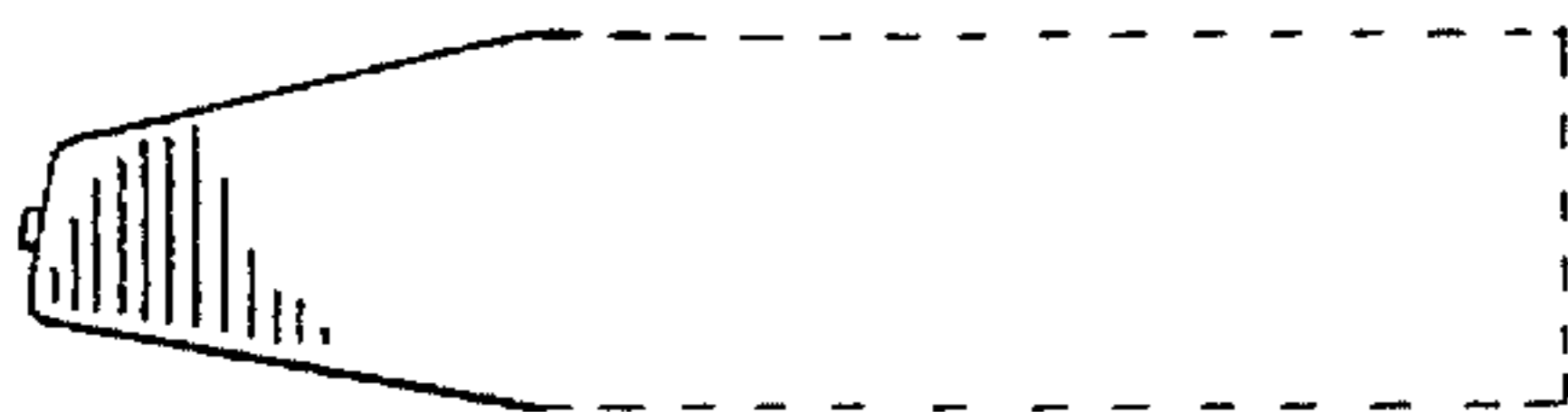


FIG. 4

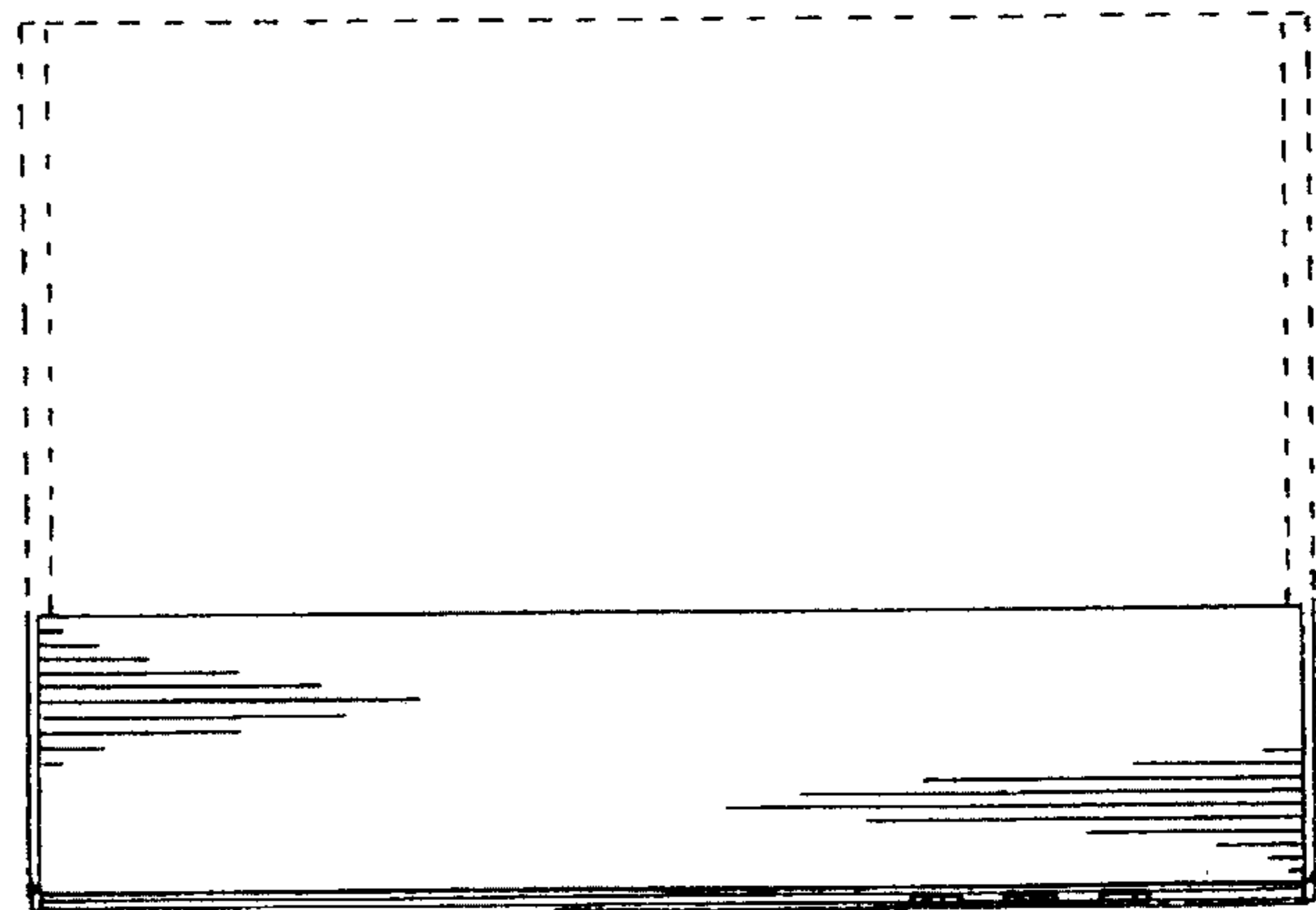


FIG. 3

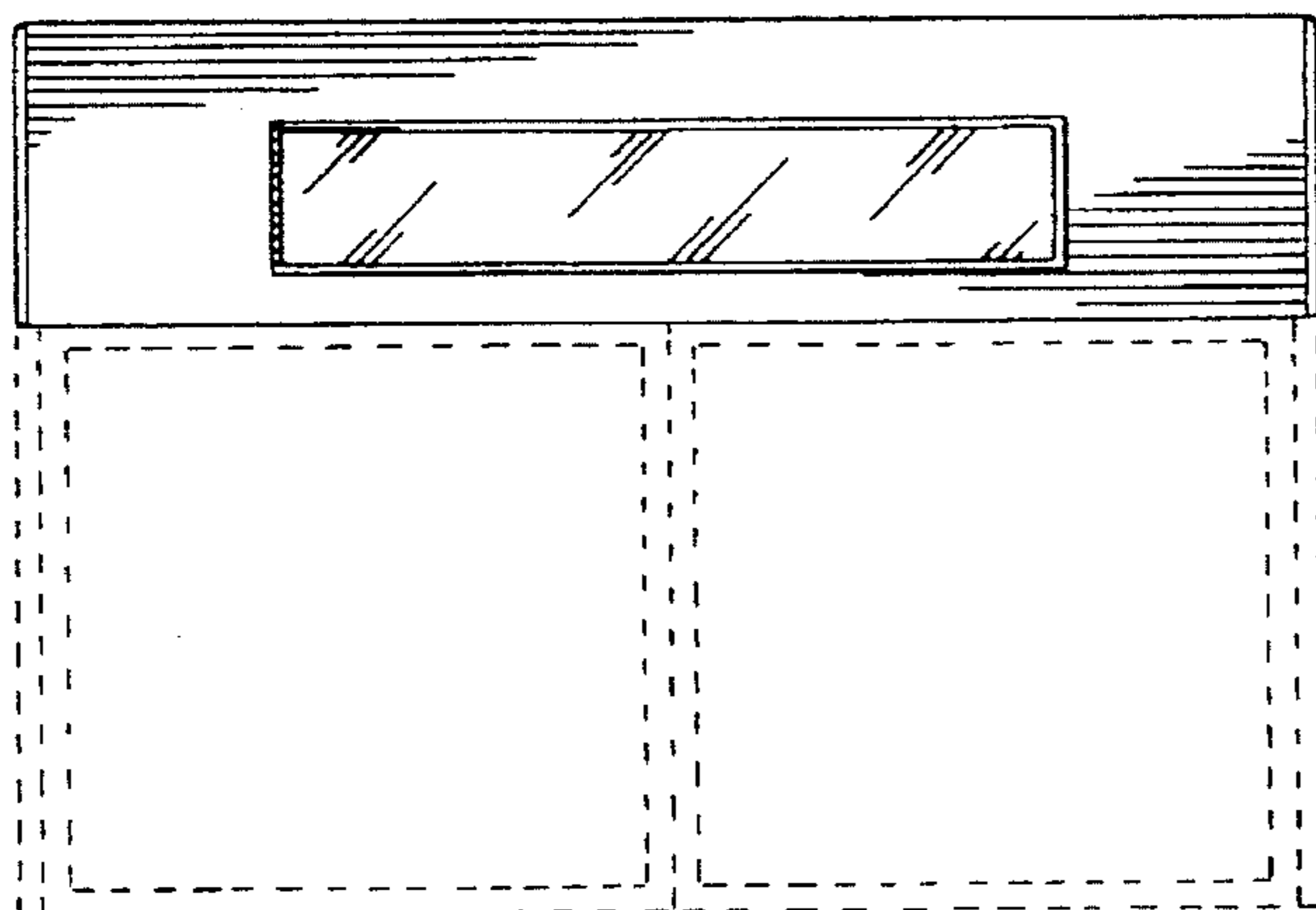


FIG. 5

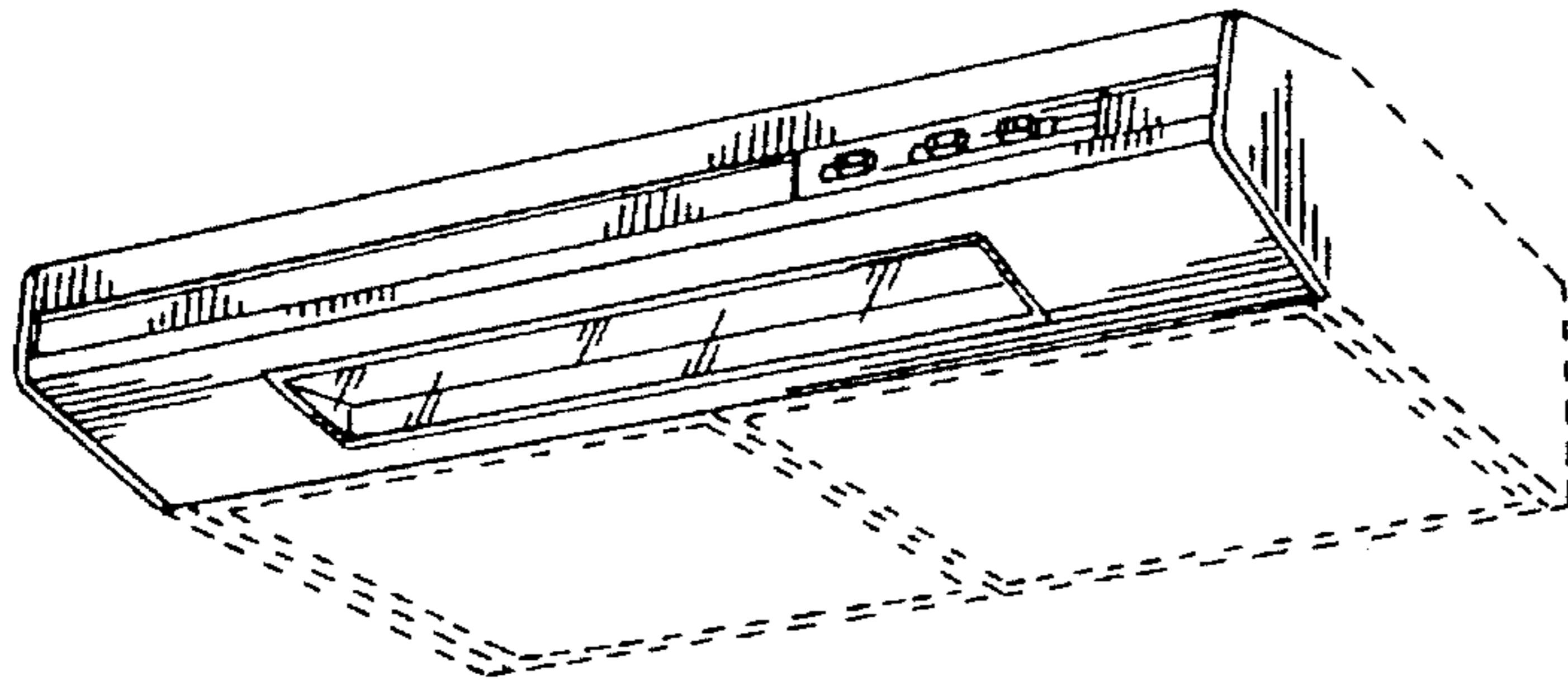


FIG. 6

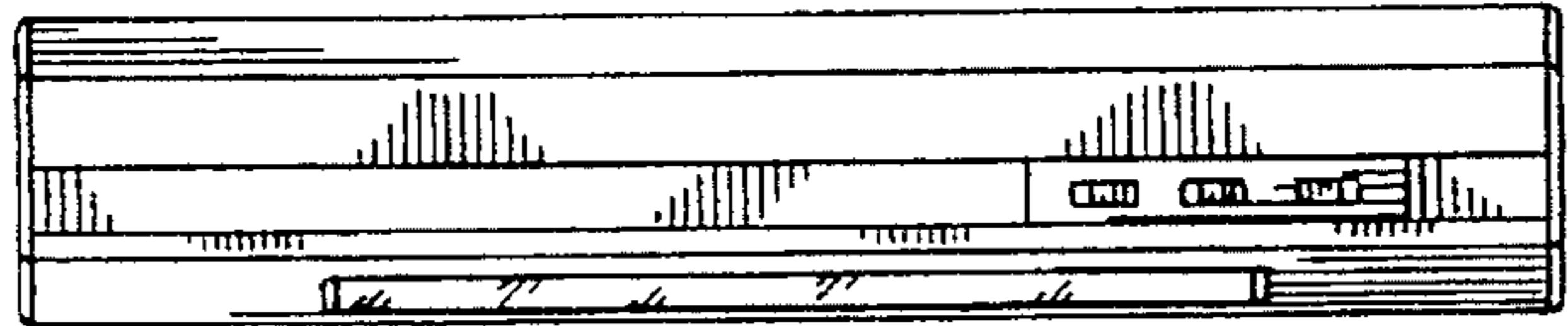


FIG. 7



FIG. 9

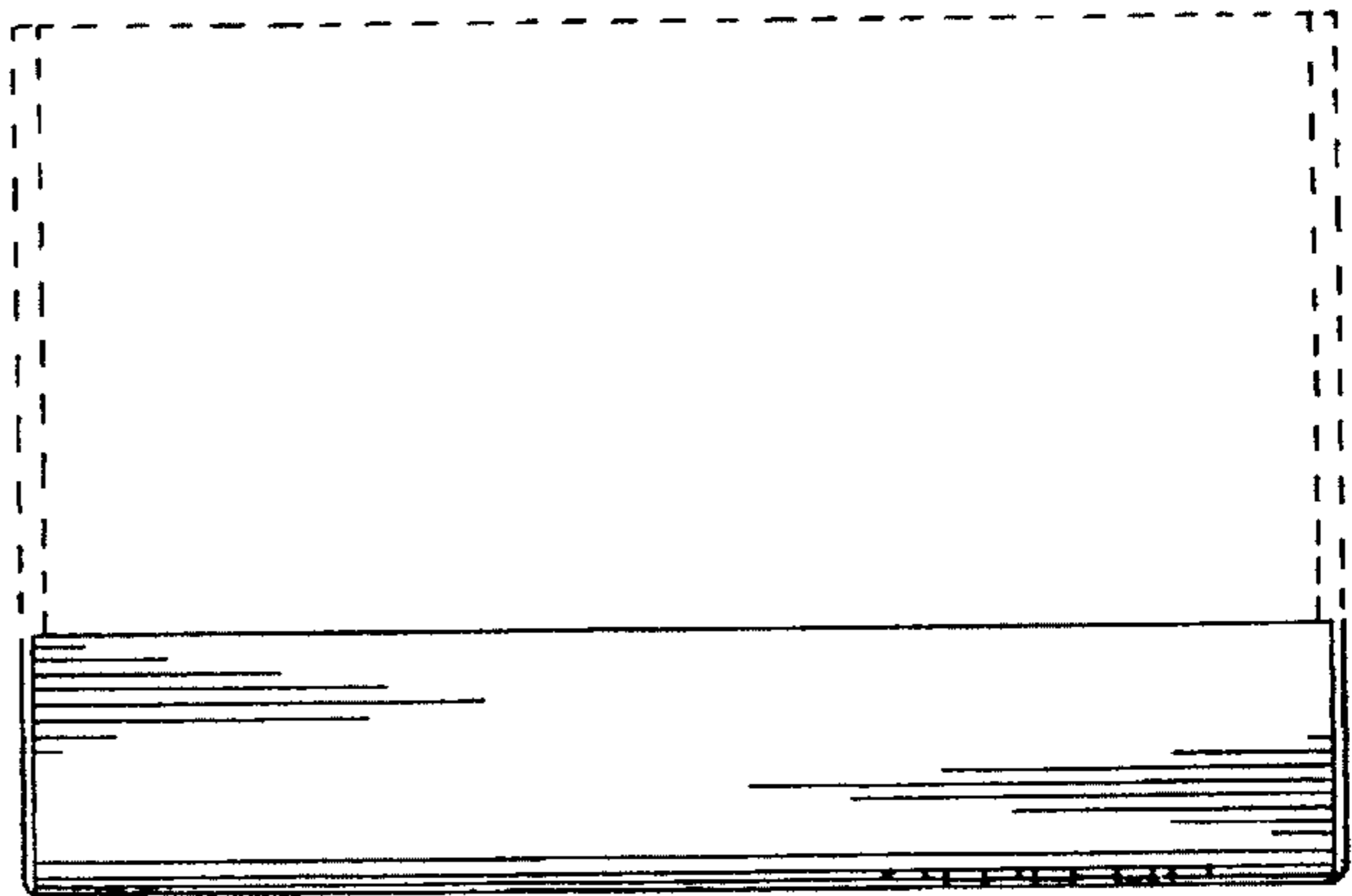


FIG. 8

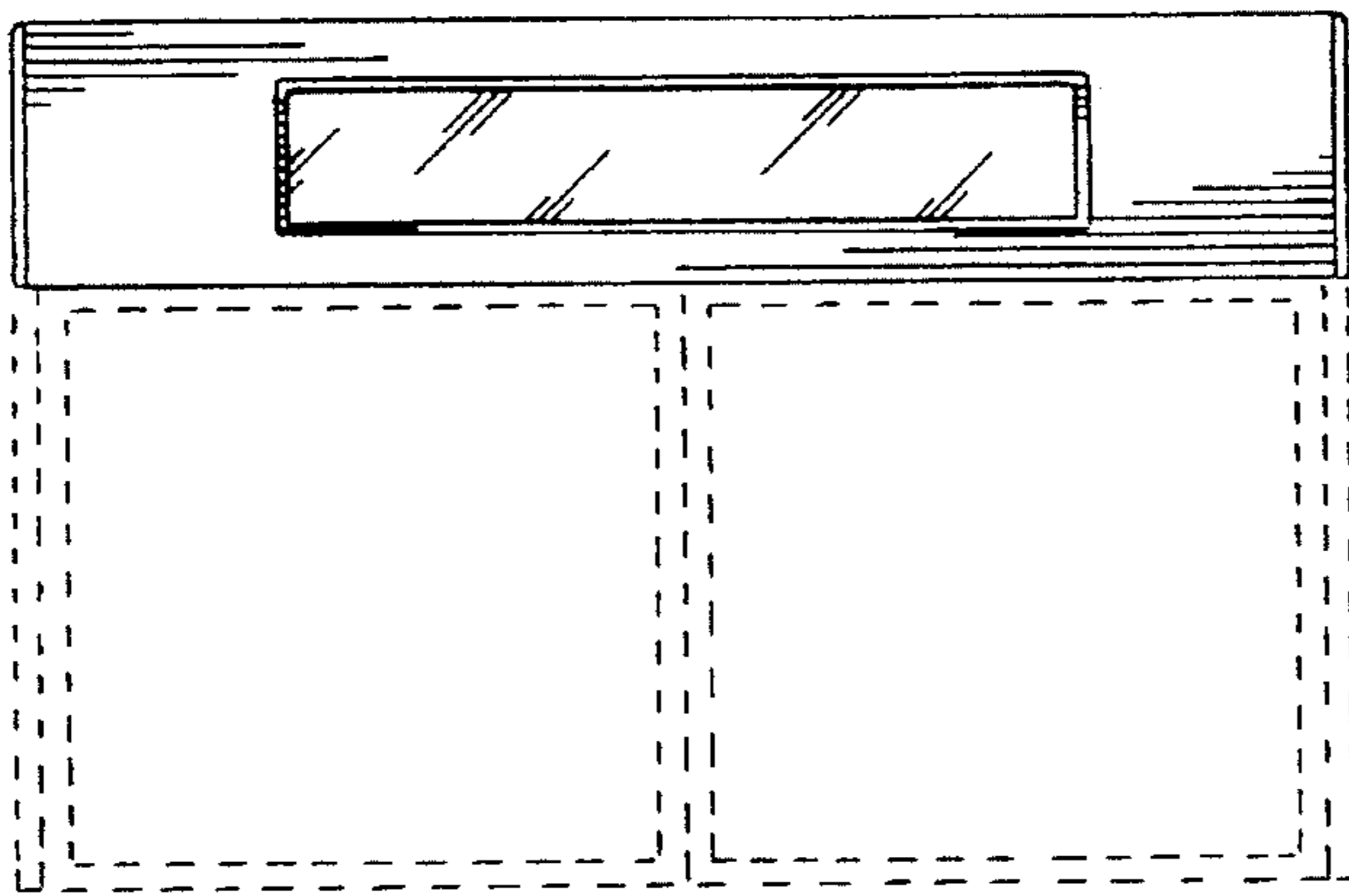


FIG. 10