



US00D367314S

United States Patent [19]
Nilsson

[11] **Patent Number: Des. 367,314**
[45] **Date of Patent: **Feb. 20, 1996**

[54] **SUPPORT STRUCTURE FOR SNOW MAKING MACHINE**

3,964,682 6/1976 Tropeano 239/14.2
4,593,854 6/1986 Albertsson 239/14.2

[76] Inventor: **Lennart Nilsson**, Box 3084, S-831 03 Östersund, Sweden

Primary Examiner—A. Hugo Word
Assistant Examiner—Robin V. Taylor
Attorney, Agent, or Firm—Larson and Taylor

[**] Term: **14 Years**

[57] **CLAIM**

[21] Appl. No.: **16,788**

The ornamental design for a support structure for snow making machine, as shown and described.

[22] Filed: **Dec. 27, 1993**

[30] **Foreign Application Priority Data**

DESCRIPTION

Jul. 2, 1993 [SE] Sweden 93-1526

[52] **U.S. Cl.** **D23/200; D23/221; D15/28**

[58] **Field of Search** D23/200, 202, D23/213, 221; 239/2.1, 2.2, 14.1, 14.2; 211/86-87, 90, 126; 248/637, 678, 127, 176, 188.1; D6/553, 566-567; D15/28

FIG. 1 is a front elevational view of the support structure for snow making machine;

FIG. 2 is a side elevational view (the other side elevational view is a mirror image);

FIG. 3 is a top plan view;

FIG. 4 is a front perspective view;

FIG. 5 is a rear perspective view; and,

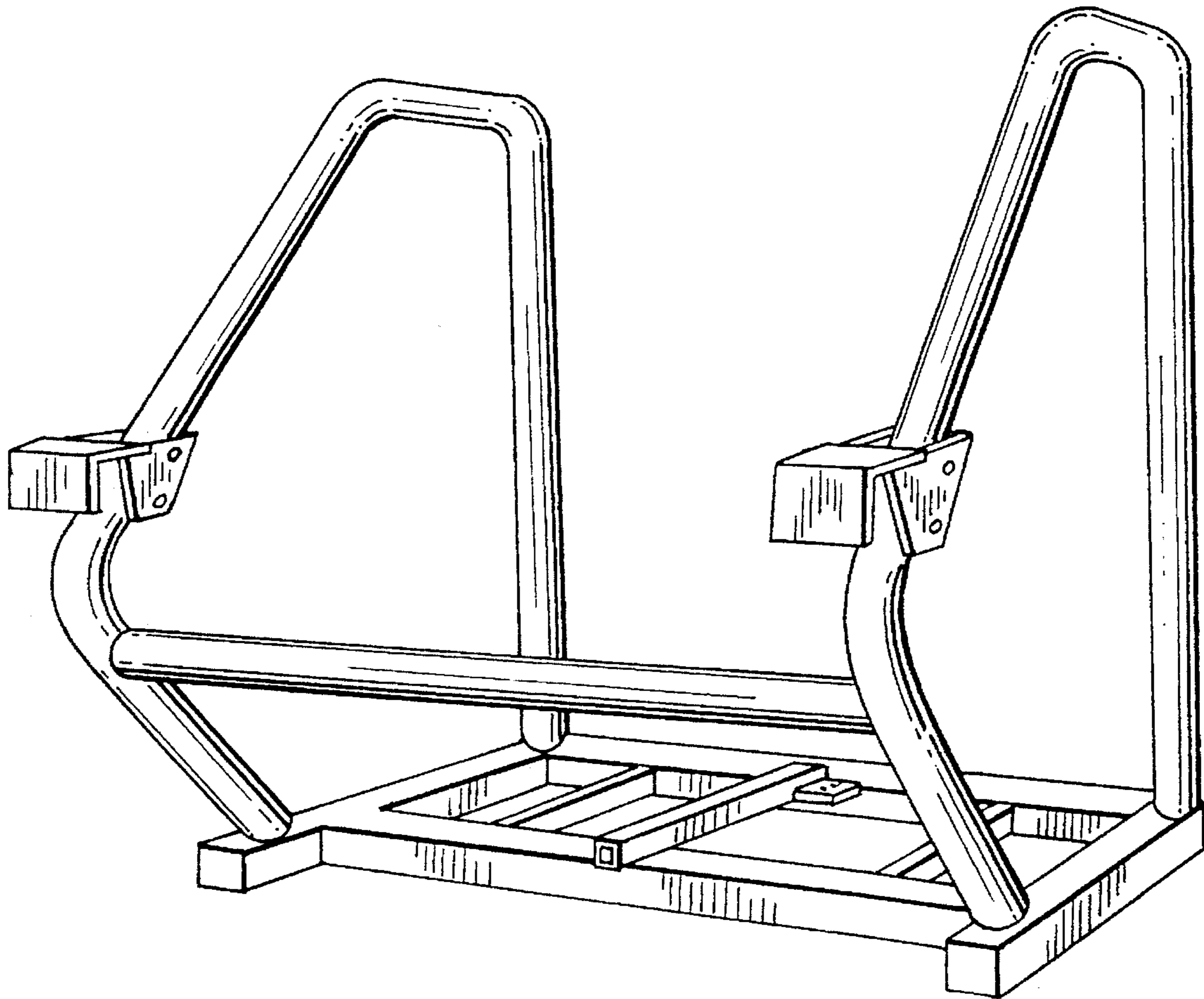
FIG. 6 is a bottom plan view.

[56] **References Cited**

U.S. PATENT DOCUMENTS

2,844,342 7/1958 Anderson 248/176

1 Claim, 3 Drawing Sheets



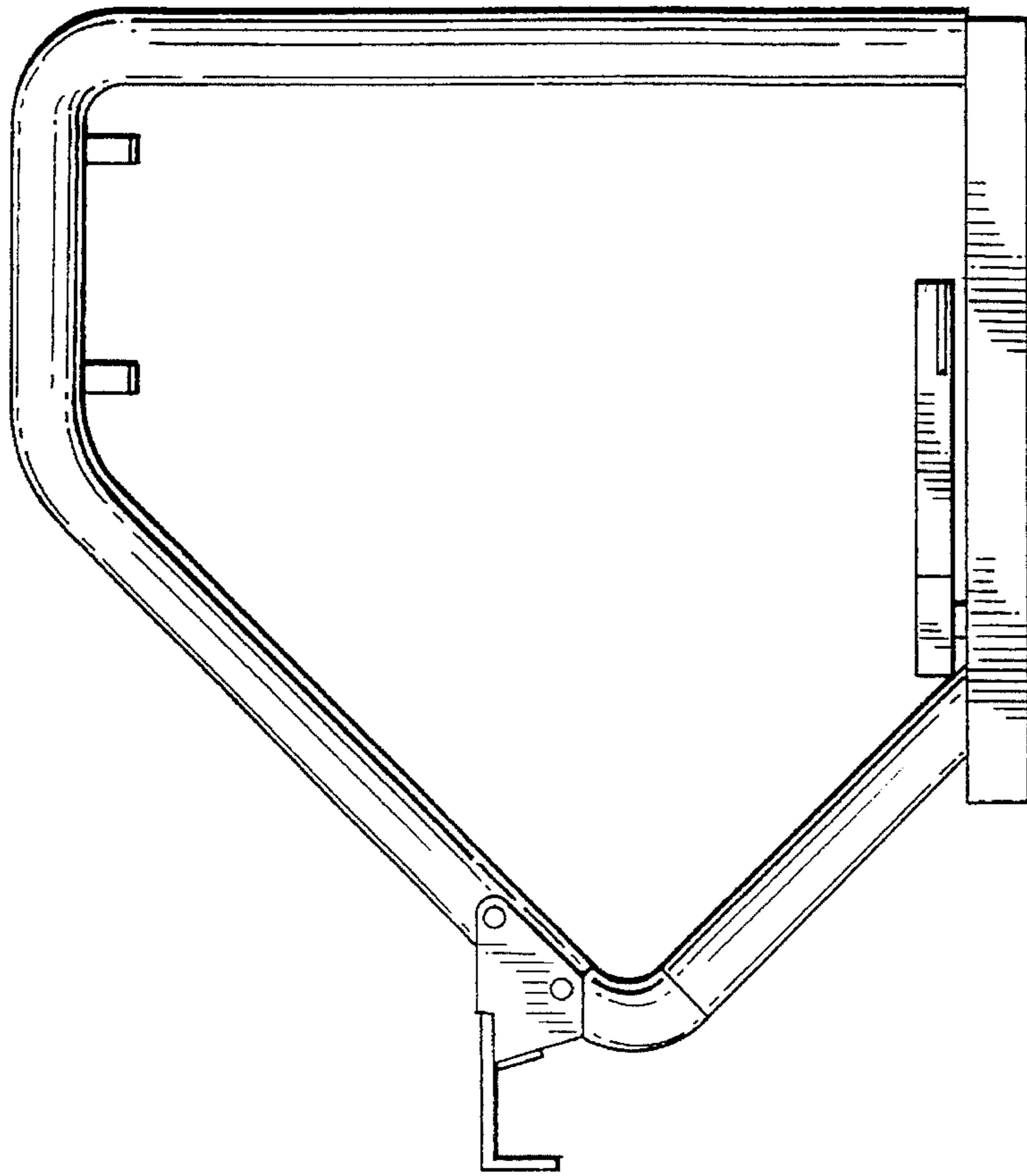


FIG. 2

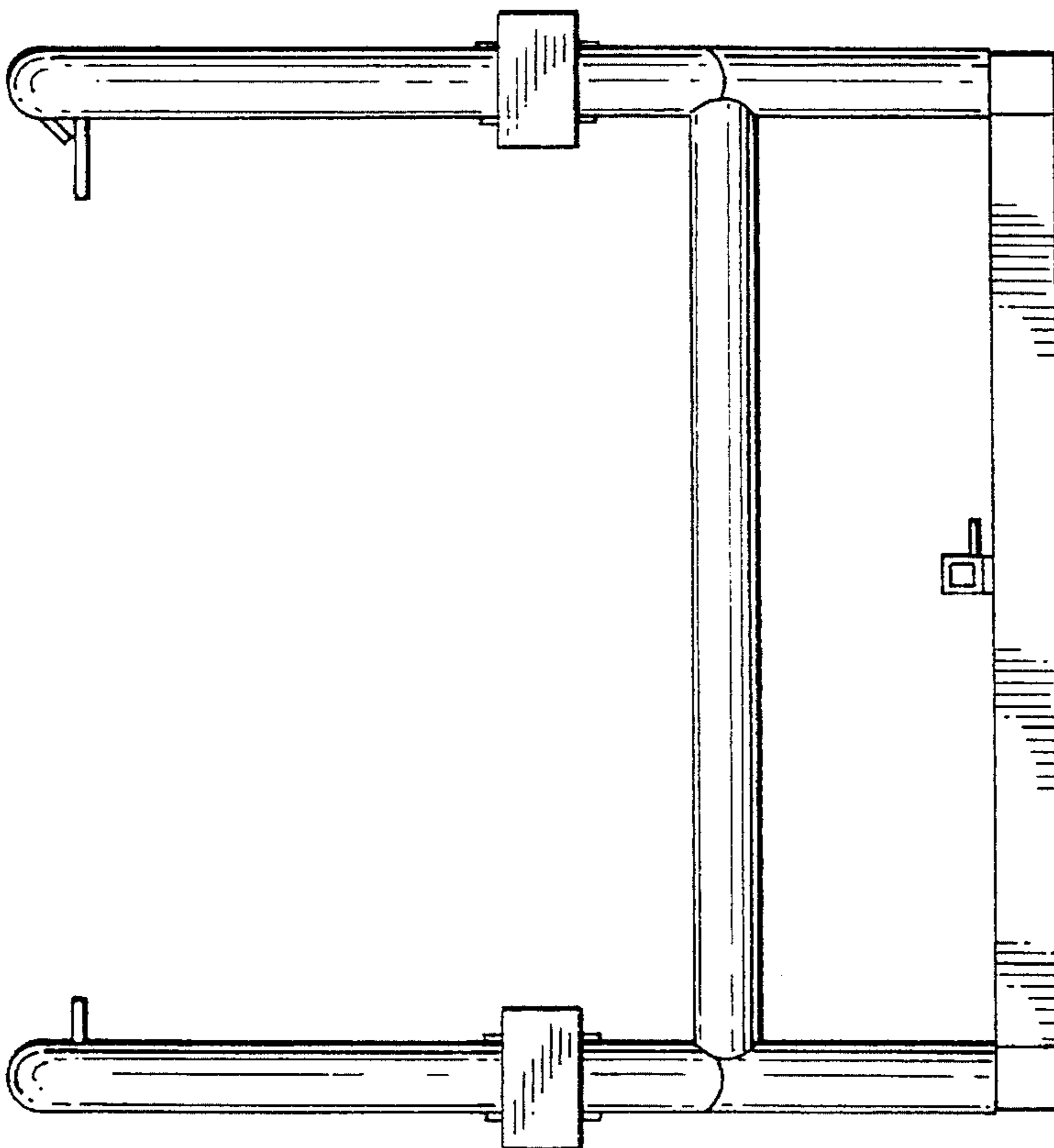


FIG. 1

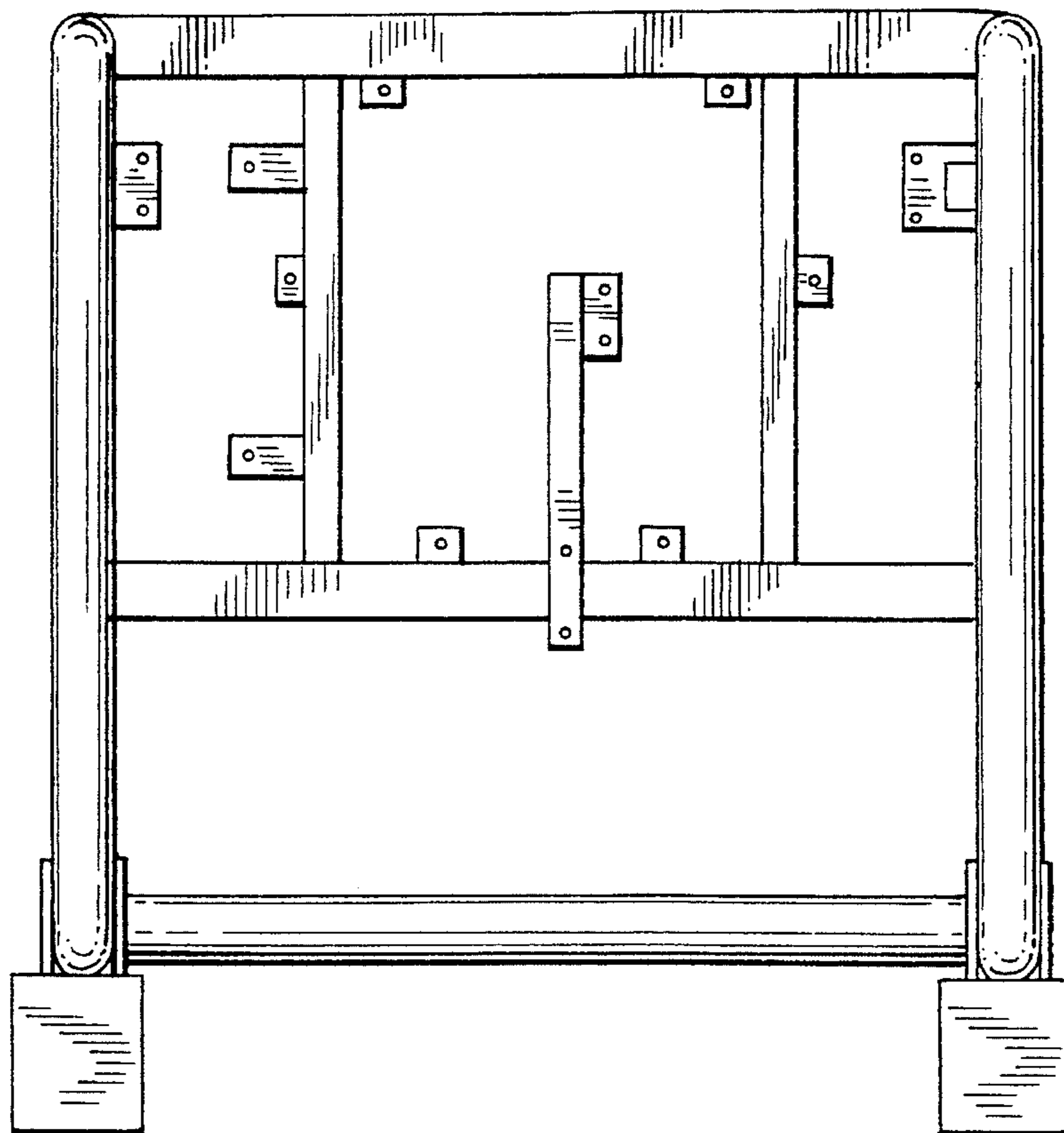


FIG. 3

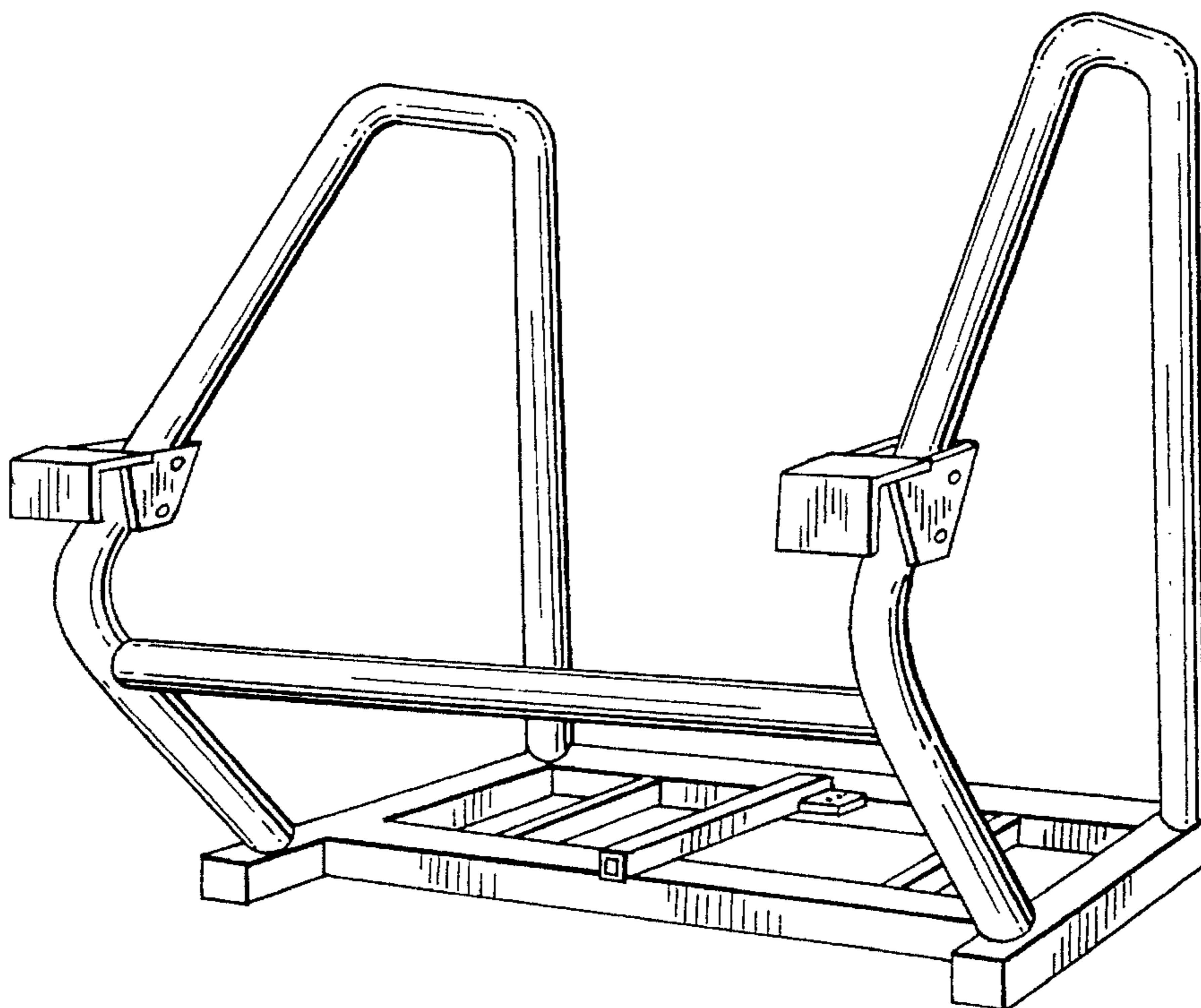


FIG. 4

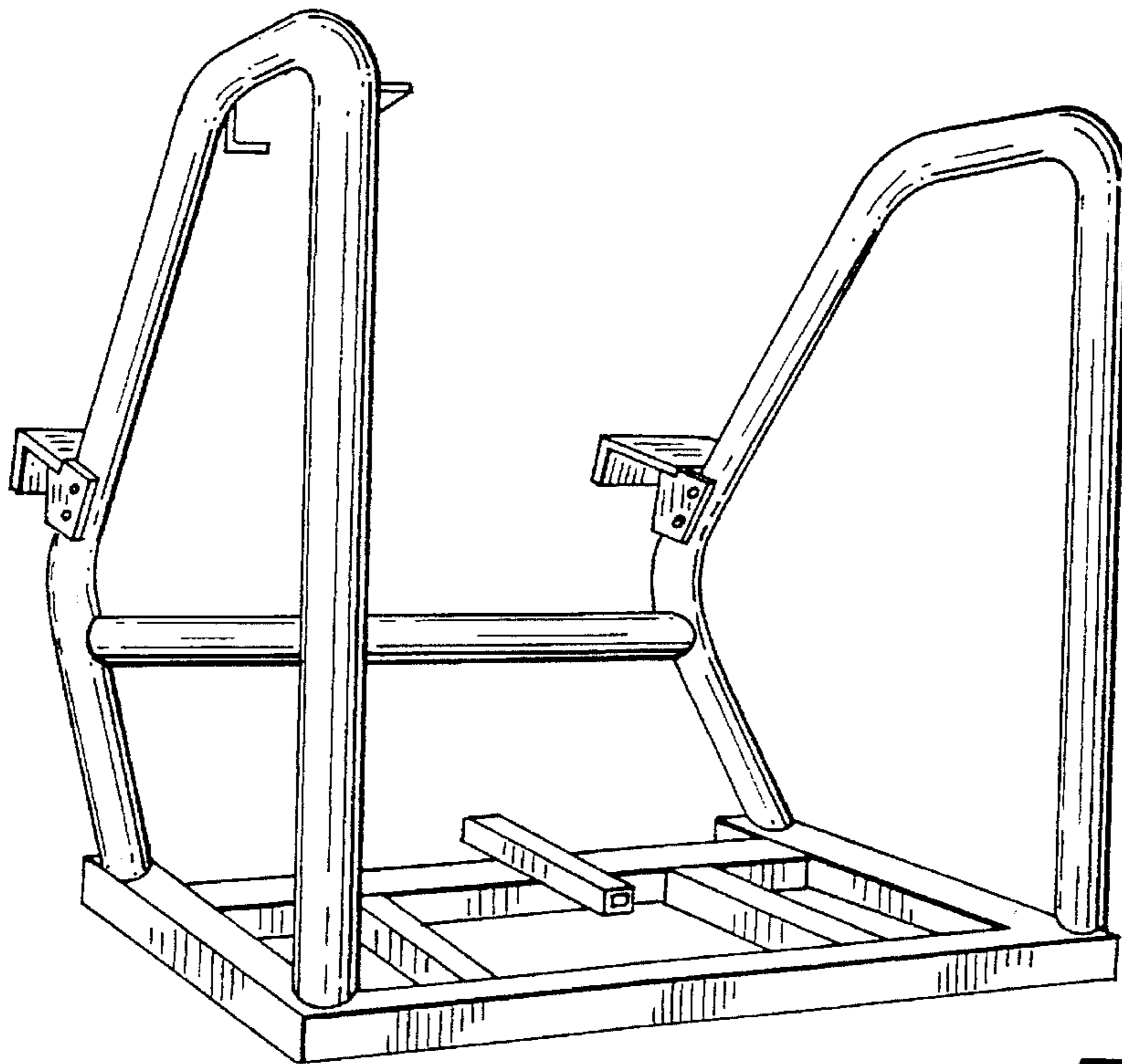


FIG. 5

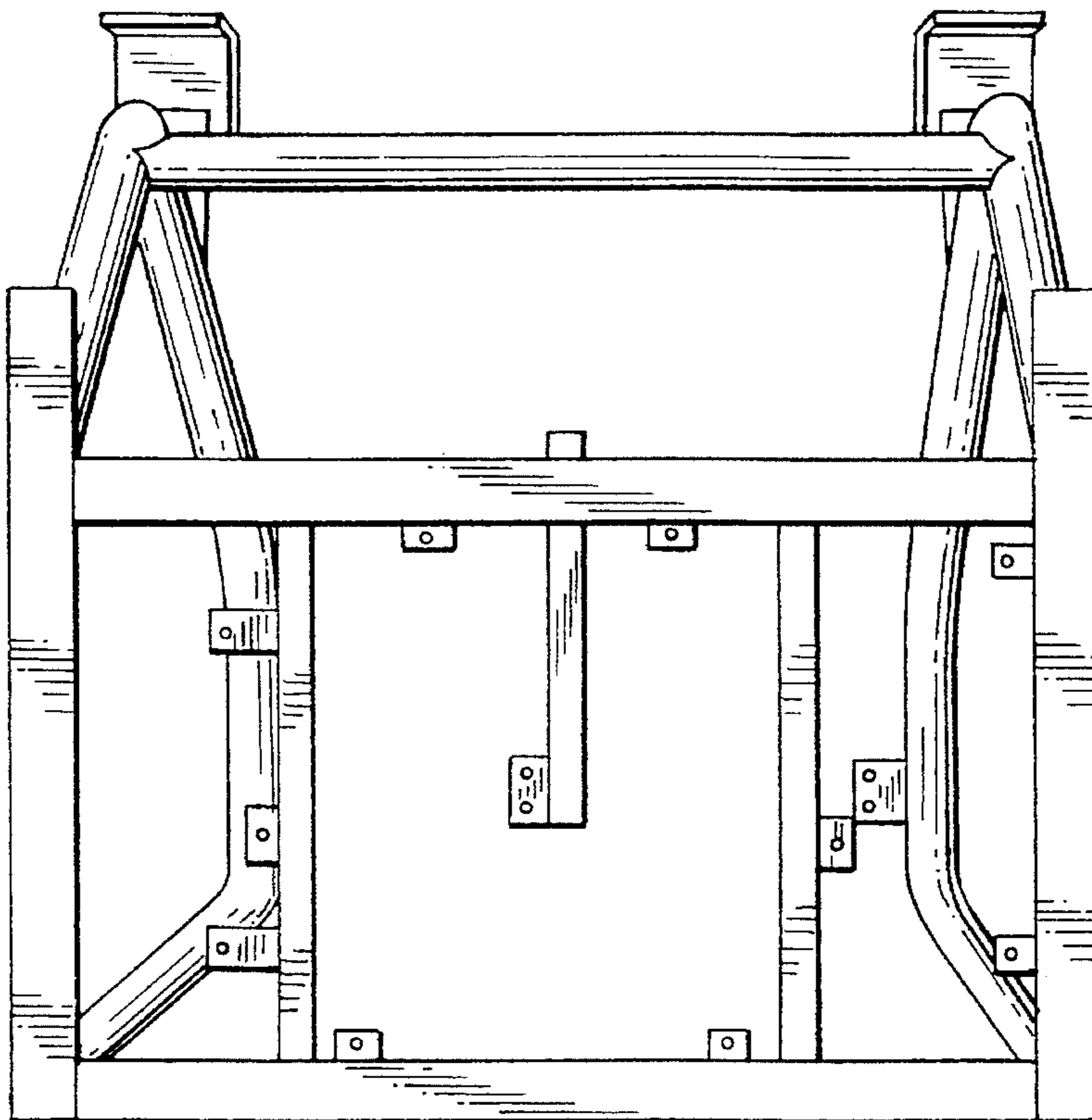


FIG. 6