



US00D367311S

United States Patent [19]

[11] Patent Number: **Des. 367,311**

Donahue et al.

[45] Date of Patent: ****Feb. 20, 1996**

[54] **INSECT TRAP**

4,551,941 11/1985 Schneidmiller 43/107
5,231,791 8/1993 Falkson 43/121 X

[76] Inventors: **J. Paul Donahue**, 2081 Byron St., Palo Alto, Calif. 94301; **John Zolkos**, 5062 Anaheim Loop, Union City, Calif. 94587

Primary Examiner—Doris V. Coles

[**] Term: **14 Years**

[57] **CLAIM**

The ornamental design for an insect trap, as shown and described.

[21] Appl. No.: **20,985**

DESCRIPTION

[22] Filed: **Apr. 6, 1994**

FIG. 1 is a perspective view of a insect trap showing our new design;

Related U.S. Application Data

[63] Continuation of Ser. No. 841,033, Feb. 25, 1992, abandoned.

[52] U.S. Cl. **D22/122**

[58] Field of Search D22/119-123;
43/122, 107, 131, 132.1, 121

FIG. 2 is a side elevation view thereof, the opposite, left and right side elevation views thereof are identical to FIG. 2;

FIG. 3 is a top plan view thereof;

FIG. 4 is a bottom plan view thereof;

FIG. 5 is a perspective view of an alternate embodiment of the design;

FIG. 6 is a side elevation view thereof, the opposite, left and right side elevation views thereof are identical to FIG. 6;

FIG. 7 is a top plan view thereof;

FIG. 8 is a bottom plan view thereof;

FIG. 9 is a perspective view of a further alternate embodiment of the design;

FIG. 10 is a side elevation view thereof, the opposite, left and right side elevation views thereof are identical to FIG. 10;

FIG. 11 is a top plan view thereof; and,

FIG. 12 is a bottom plan view thereof.

[56] References Cited

U.S. PATENT DOCUMENTS

D. 173,253	10/1954	Ayoub .	
920,696	5/1909	Turner .	
1,092,697	4/1914	Curtis .	
1,289,466	12/1918	Hasselgren	D22/122 X
1,606,568	11/1926	Gross .	
1,715,958	6/1929	Strand	43/122
4,121,372	10/1978	Landaus	43/122
4,244,135	1/1981	Harwood	43/122
4,360,987	11/1982	Lowder	43/122

1 Claim, 12 Drawing Sheets

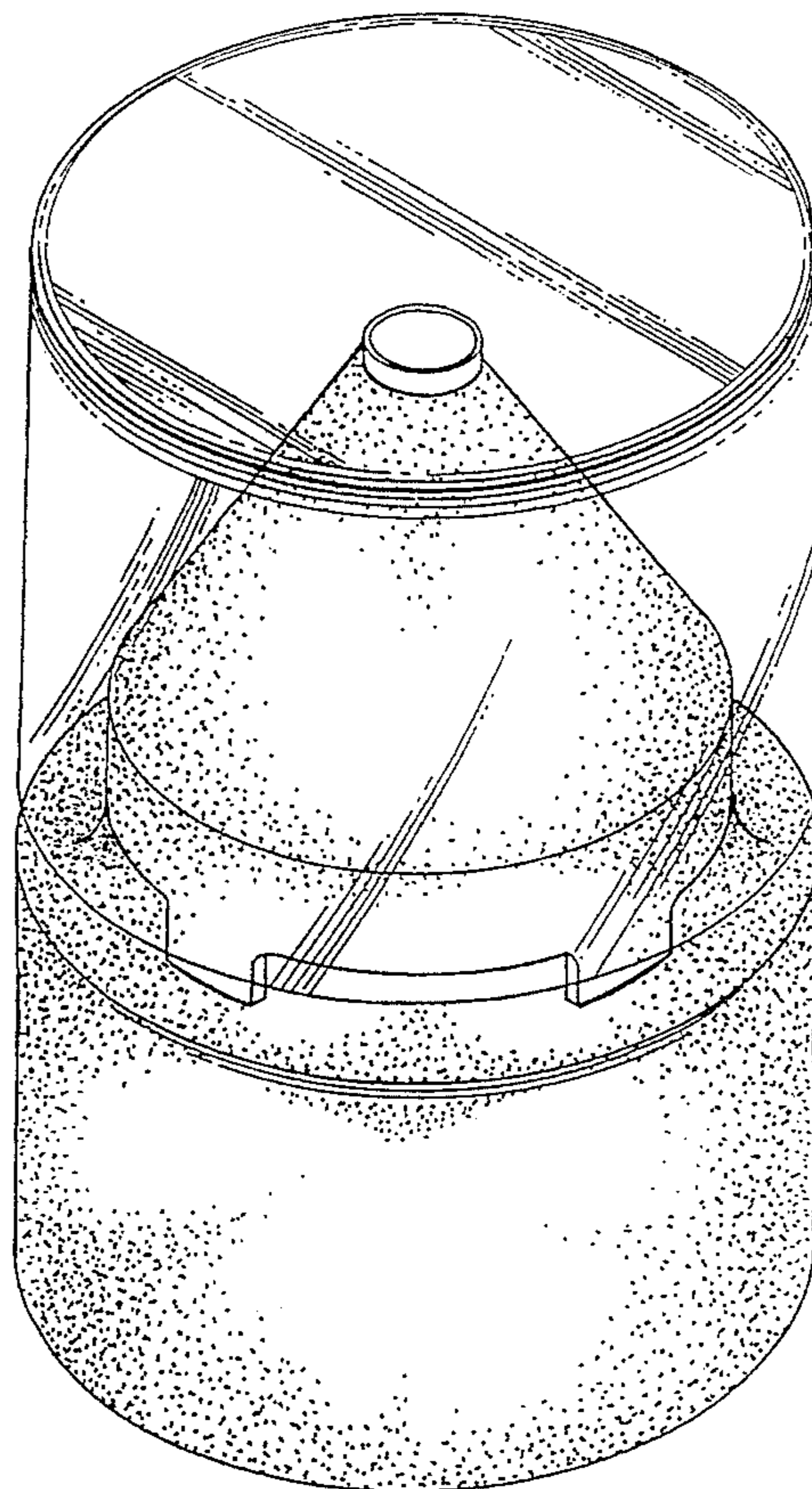


Fig. 1

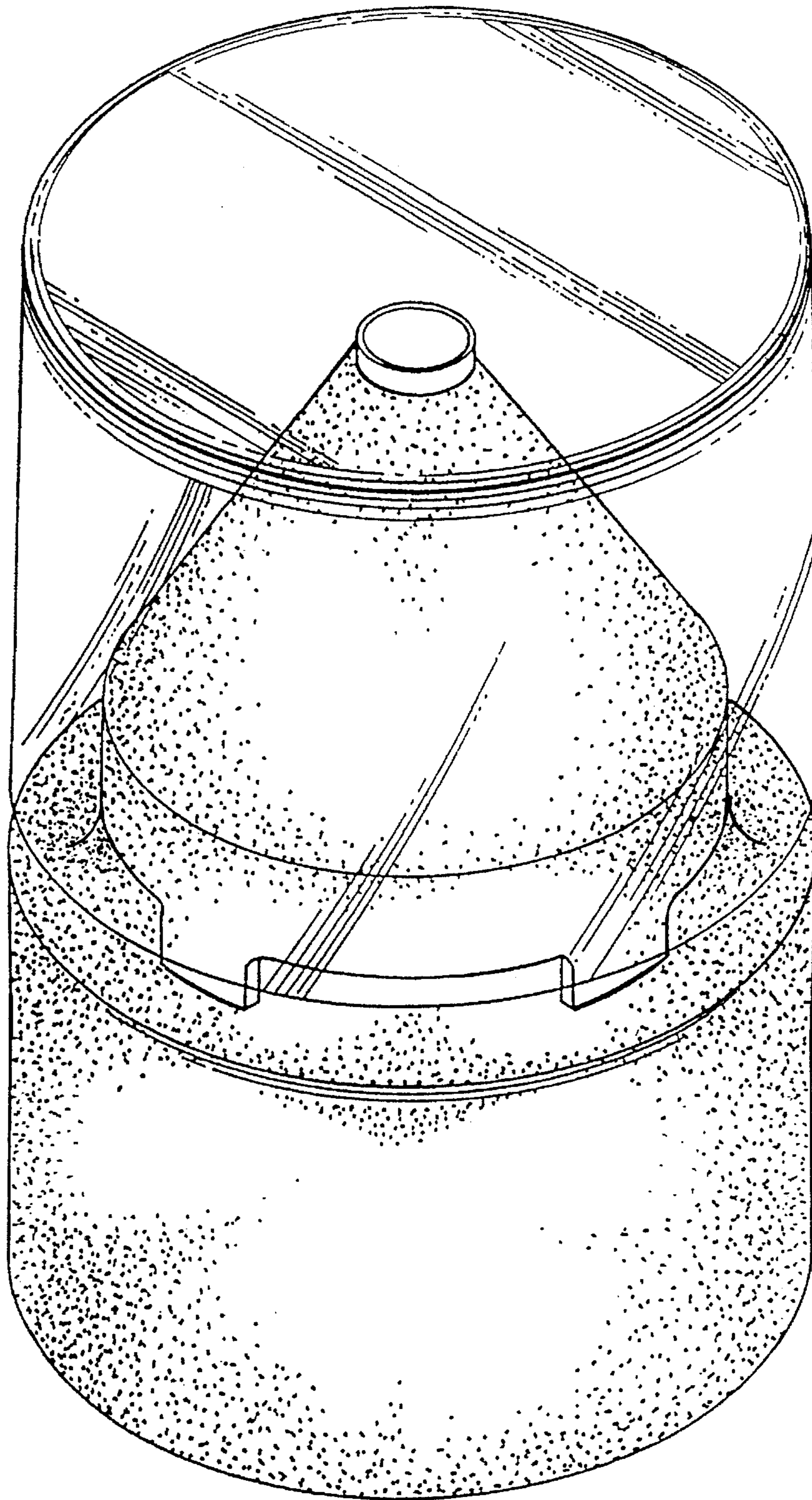


Fig. 2

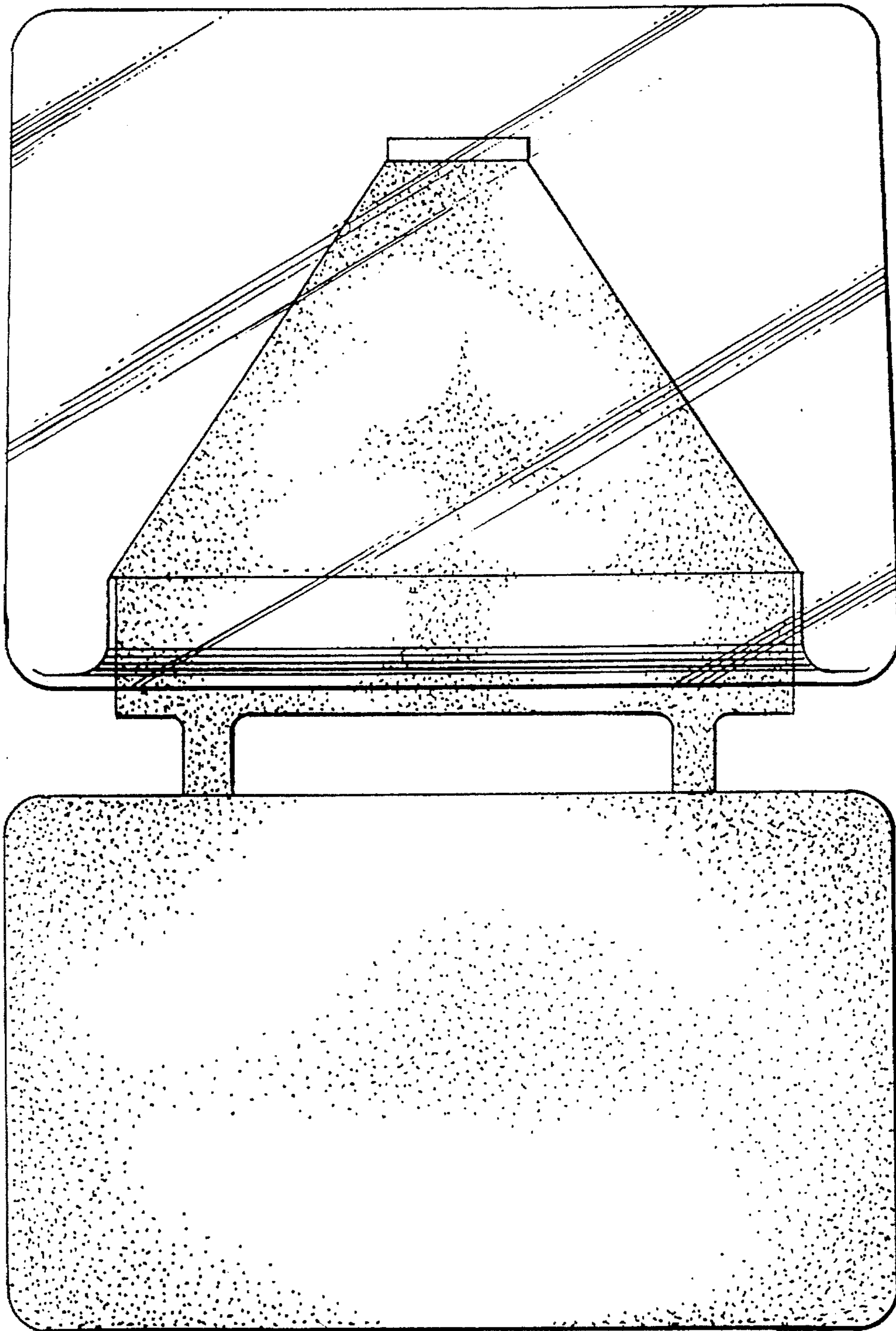


Fig. 3

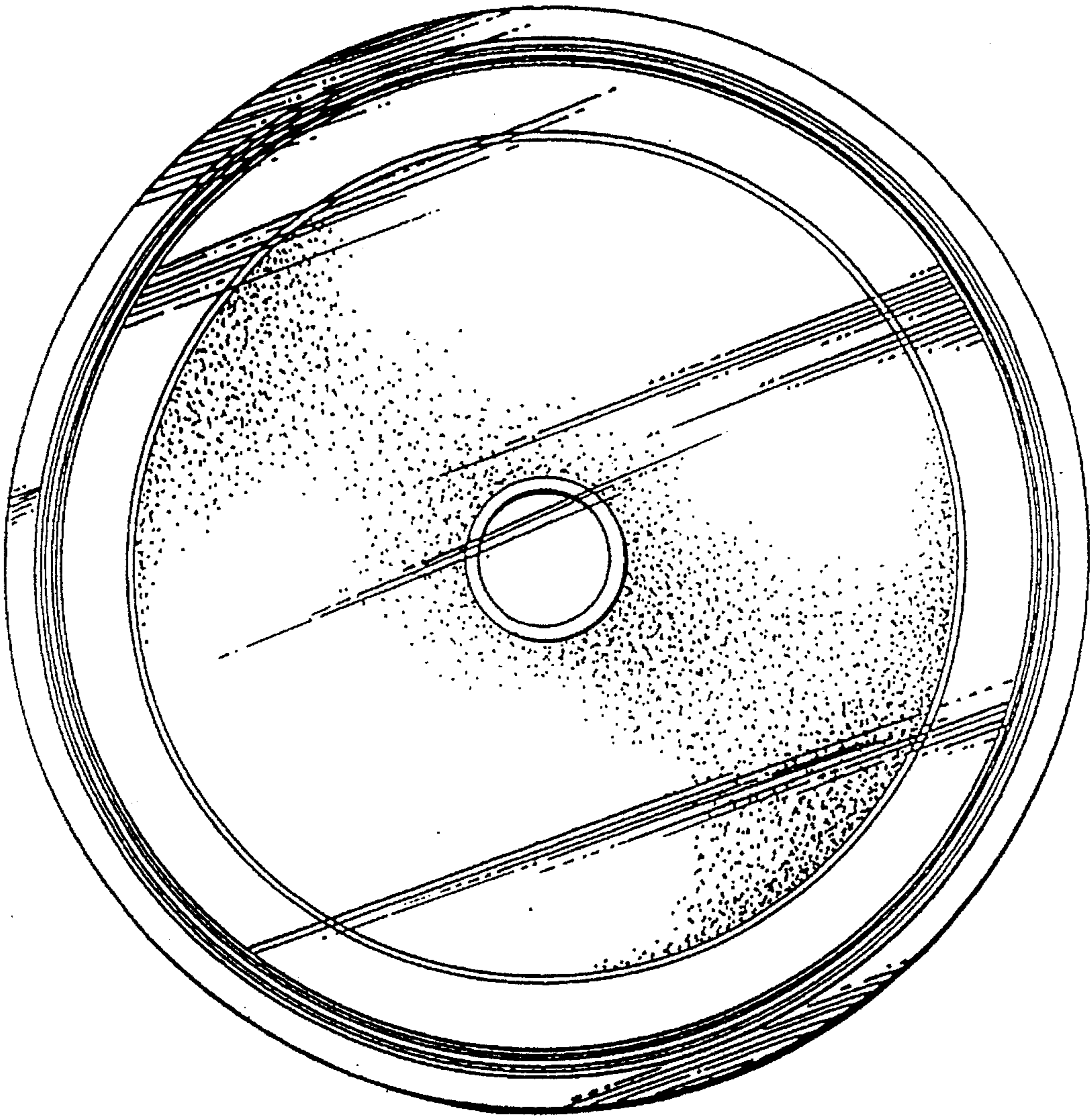


Fig. 4

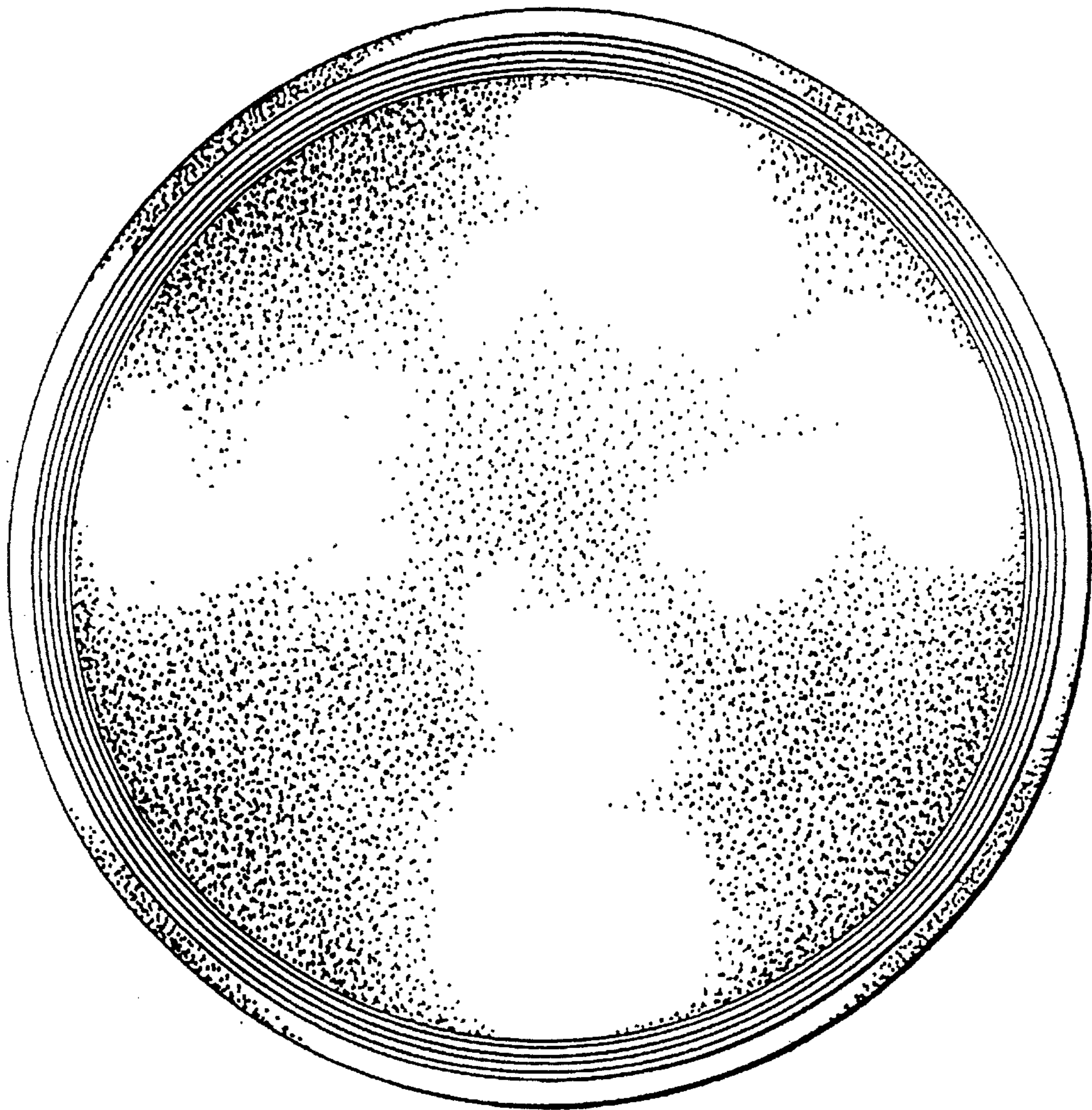


Fig. 5

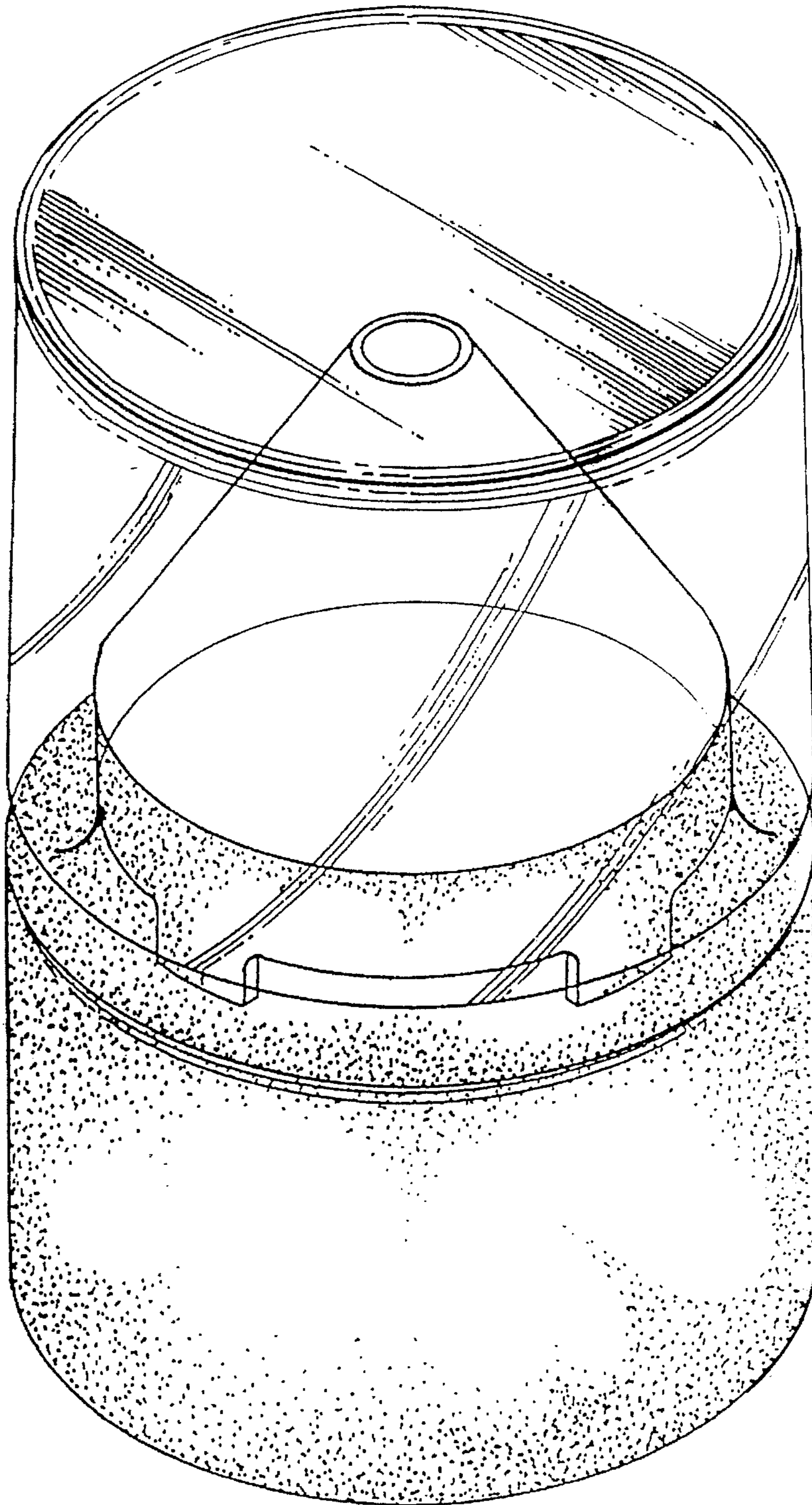


Fig. 6

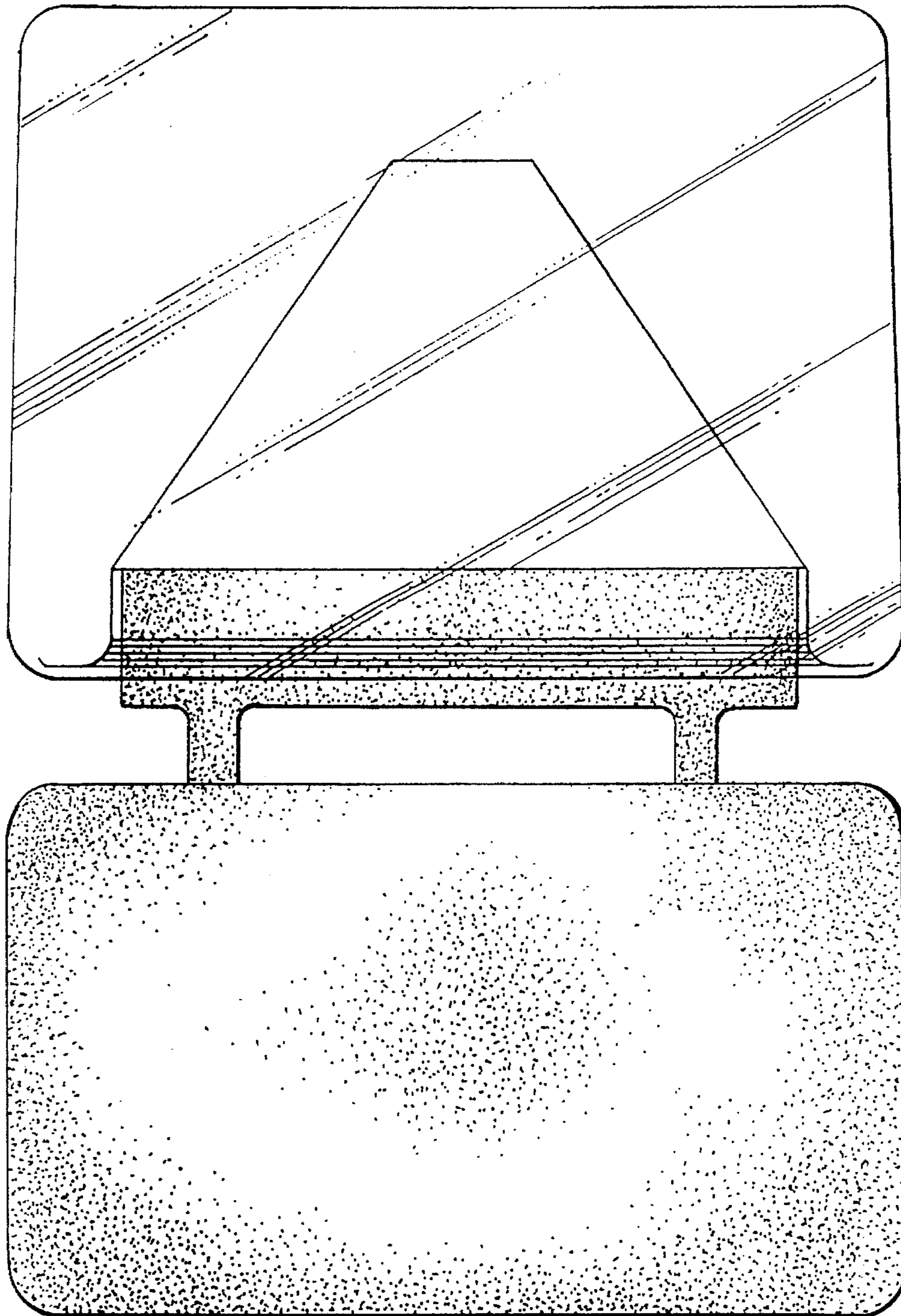


Fig. 7

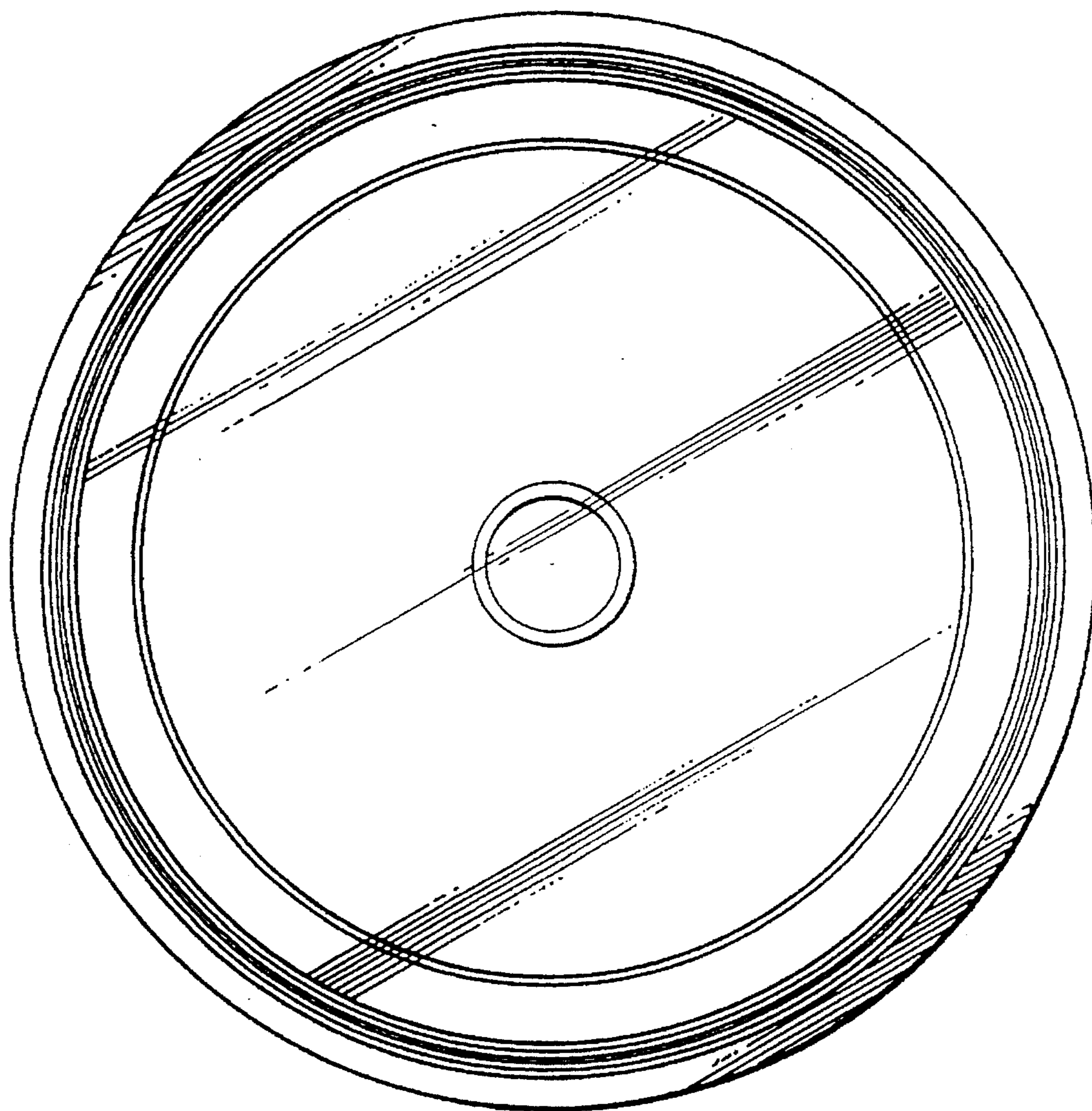


Fig. 8

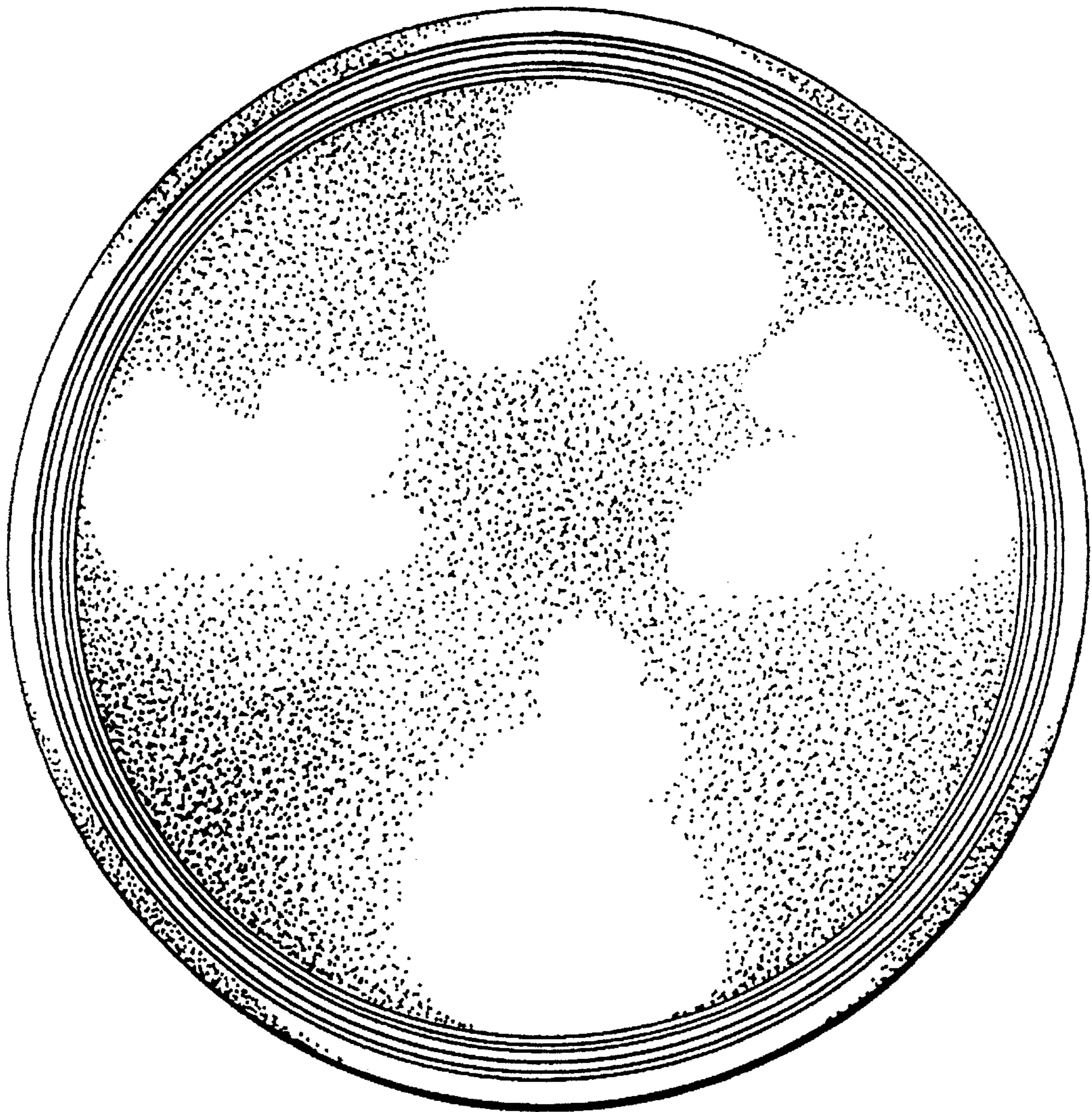


Fig. 9

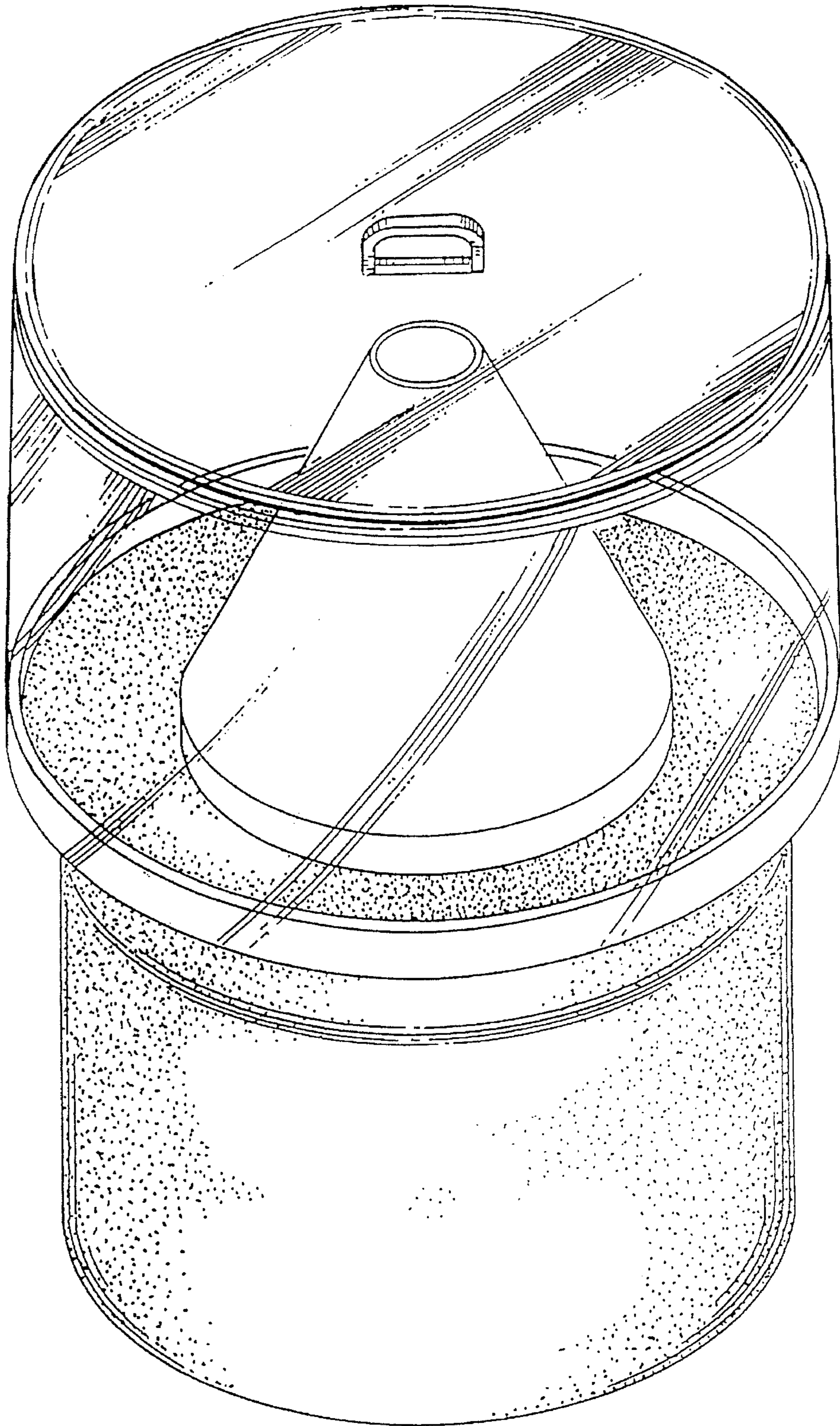


Fig. 10

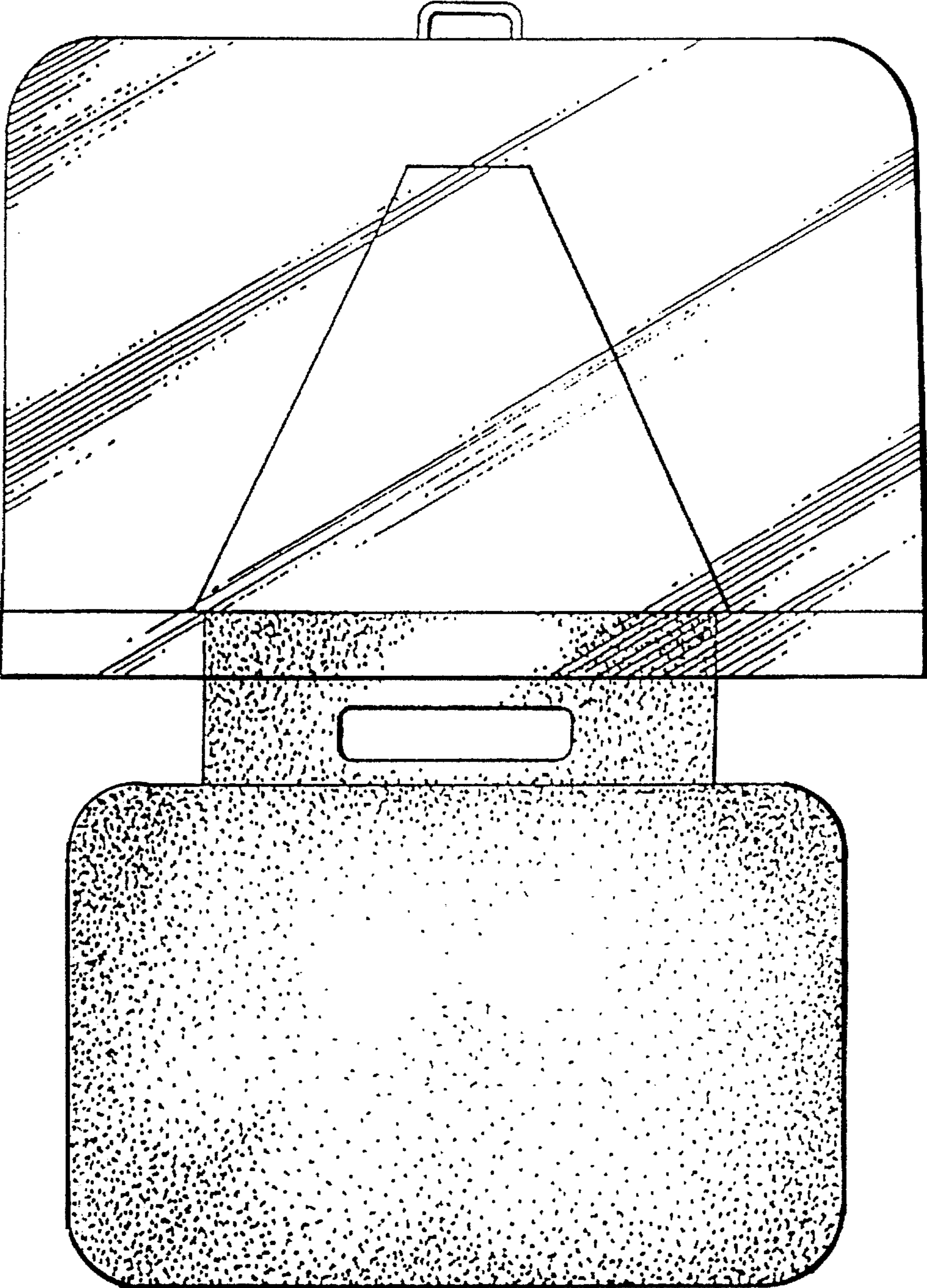


Fig. 11

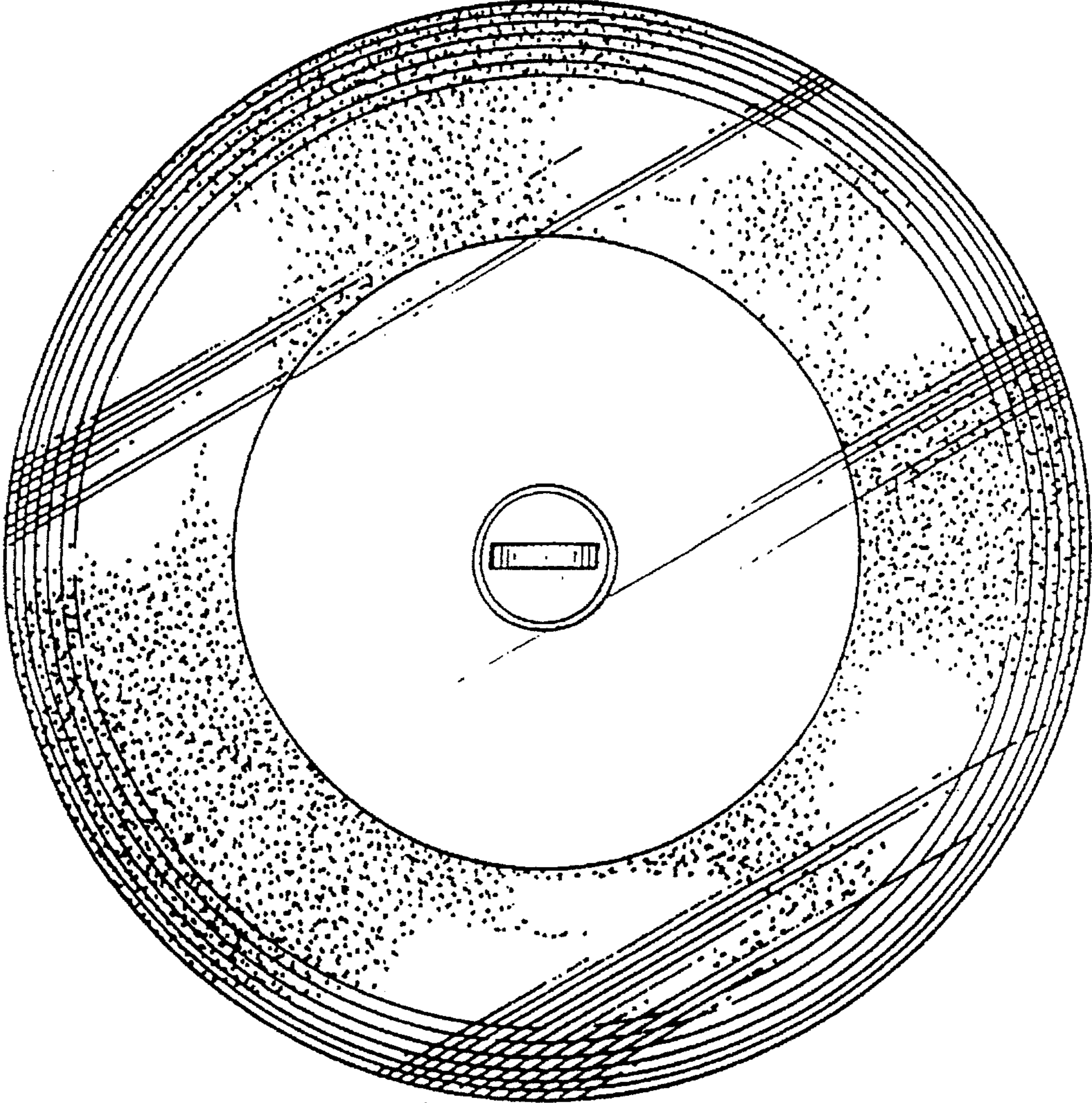


Fig. 12

