



US00D367309S

United States Patent [19]

[11] Patent Number: Des. 367,309

van Huystee

[45] Date of Patent: **Feb. 20, 1996

[54] SLIDE

[75] Inventor: Maarten van Huystee, East Aurora, N.Y.

[73] Assignee: Fisher-Price, Inc., East Aurora, N.Y.

[**] Term: 14 Years

[21] Appl. No.: 27,414

[22] Filed: Aug. 18, 1994

[52] U.S. Cl. D21/244

[58] Field of Search D21/240-245,
D21/114, 109; 472/116, 117; 482/35-37;
446/476, 487

[56] References Cited

U.S. PATENT DOCUMENTS

D. 83,716	3/1931	Berman	D21/244
D. 207,105	3/1967	Gale	D21/244
D. 244,704	6/1977	Smyrni et al.	D34/5 M
D. 273,503	4/1984	Mariol	D21/244 X
D. 294,378	2/1988	Spirk, Jr. et al.	D21/244
D. 303,826	10/1989	Aker	D21/244
D. 328,326	7/1992	Kuan	D21/244
D. 330,743	11/1992	Mercer	D21/244
D. 334,610	4/1993	Aker	D21/244
D. 340,965	11/1993	Lee	D21/244
D. 343,438	1/1994	Fish, Jr.	D21/244
D. 344,773	3/1994	Aker et al.	D21/244
2,012,195	8/1935	Husted	472/116
4,369,965	1/1983	Ahrens	.	

OTHER PUBLICATIONS

- Step Two: A Step Beyond, 1994, "First Climber", p. 4.
- Step Two: A Step Beyond, 1994, "Combo Climber", p. 5.
- Step Two: A Step Beyond, 1994, "Slide Center", p. 25.
- Step Two: A Step Beyond, 1994, "Mushroom Climber", p. 28.
- Step Two: A Step Beyond, 1994, "Big Climber", p. 29.

Today's Kids Wish Book, 1994, "Play'N Fold Clubhouse", p. 3.

Today's Kids: Better Toys, by Design, 1994, "Play Slide", p. 19.

Little Tikes: Toys That Last, 1994, "Evergreen Big Slide", p. 56.

Little Tikes: Toys That Last, 1994, "Big Slide", p. 58.

Little Tikes: Toys That Last, 1994, "Play Slide", p. 58.

Little Tikes: Toys That Last, 1994, "Tike Treehouse", p. 58.

Flexible Flyer Company, "Playslide", p. 3.

Primary Examiner—Ted Shooman

Assistant Examiner—Mitchell I. Siegel

Attorney, Agent, or Firm—Howrey & Simon; C. Scott Talbot; Jennifer M. Hall

[57] CLAIM

The ornamental design for a slide, as shown and described.

DESCRIPTION

FIG. 1 is a front elevational view of a slide showing my new design;

FIG. 2 is a rear elevational view thereof;

FIG. 3 is a top plan view thereof;

FIG. 4 is a bottom plan view thereof;

FIG. 5 is a right side elevational view thereof;

FIG. 6 is a left side elevational view thereof;

FIG. 7 is a top perspective view thereof;

FIG. 8 is a front elevational view of a second embodiment of the slide of FIG. 1;

FIG. 9 is a rear elevational view of FIG. 8;

FIG. 10 is a top plan view of FIG. 8;

FIG. 11 is a bottom plan view of FIG. 8;

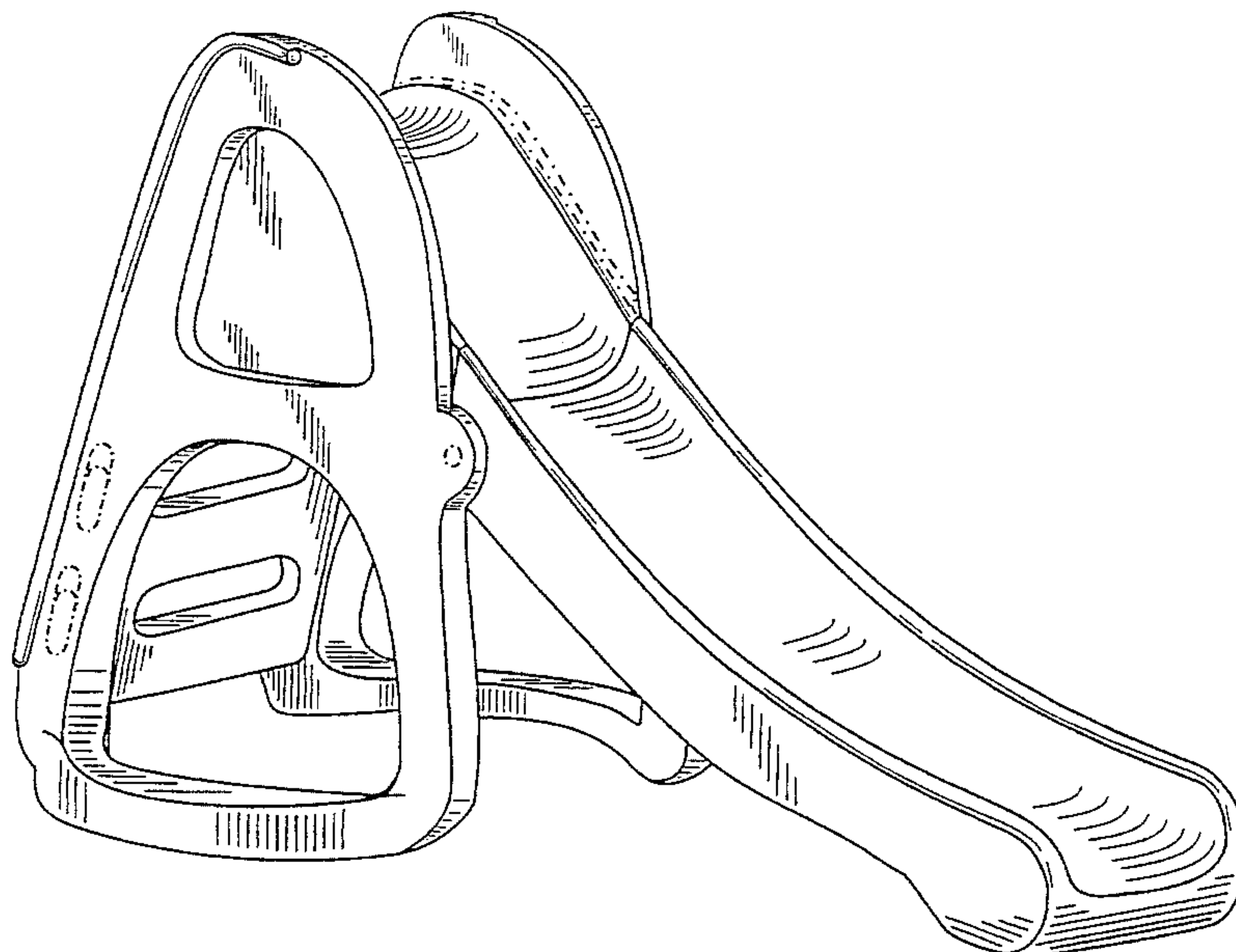
FIG. 12 is a right side elevational view of FIG. 8;

FIG. 13 is a left side elevational view of FIG. 8; and,

FIG. 14 is a top perspective view of FIG. 8.

The broken line disclosure of FIGS. 1-3, 5-10 and 12-14 is for illustrative purposes only and forms no part of the claimed design.

1 Claim, 14 Drawing Sheets



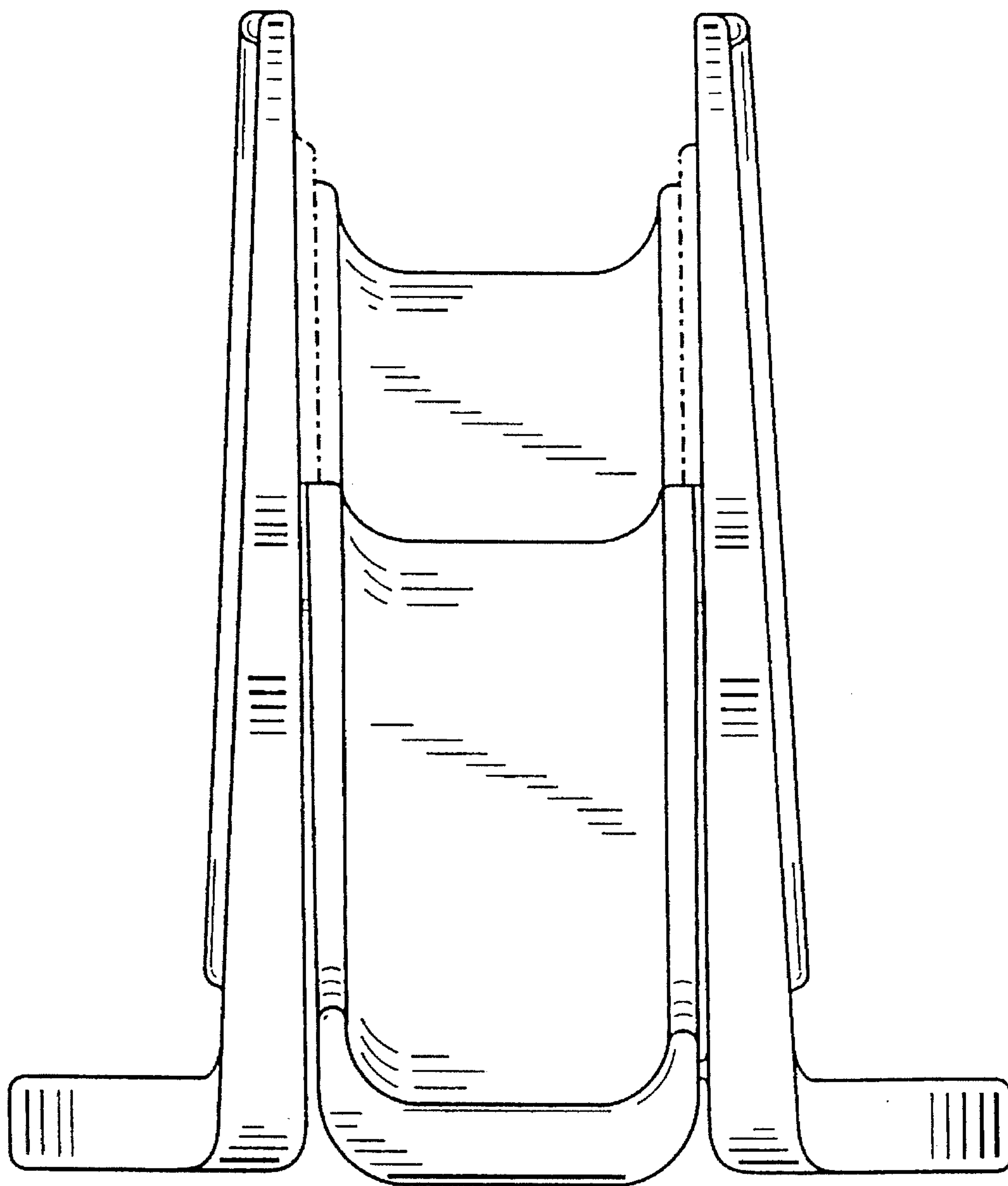


FIG. 1

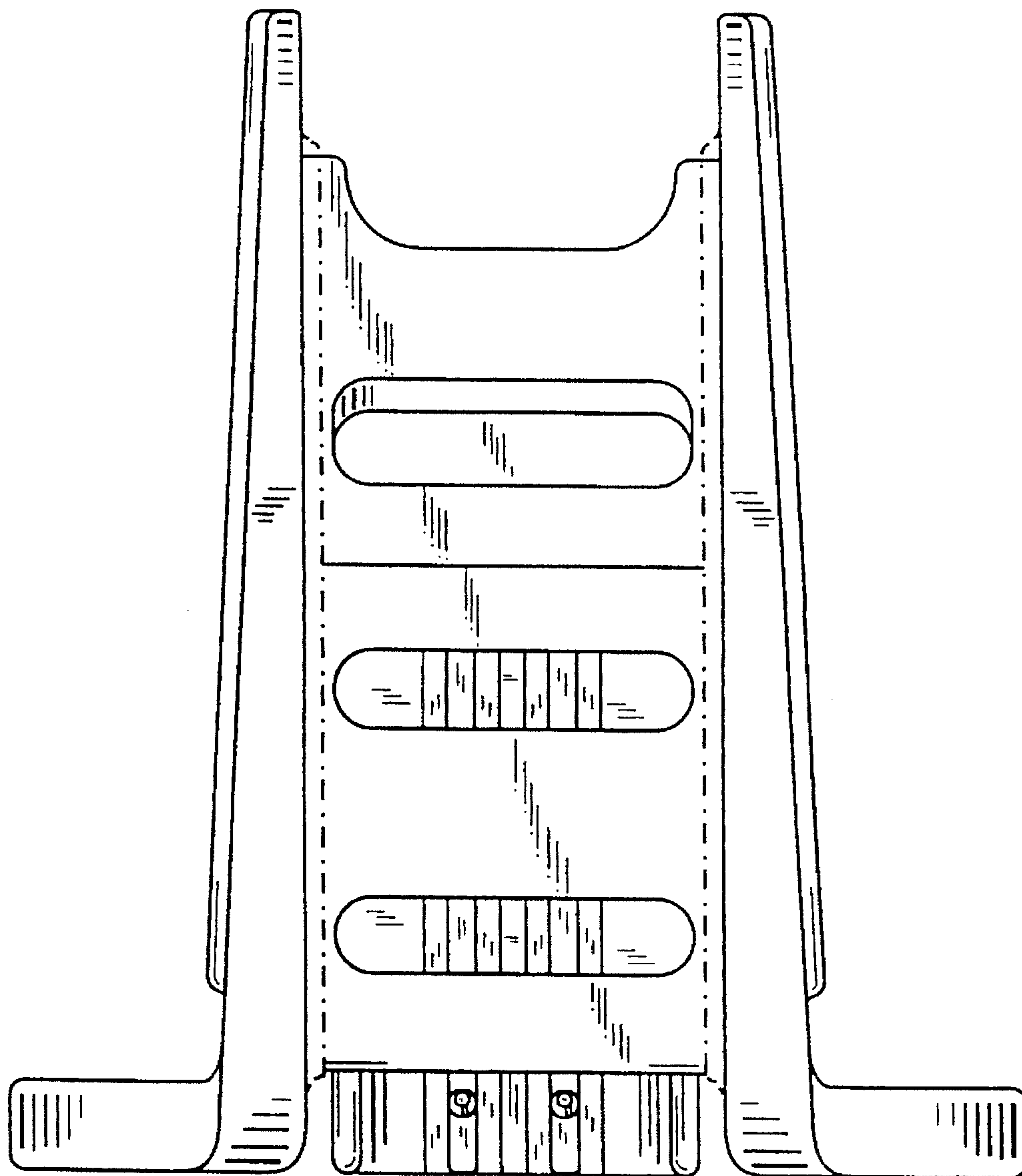
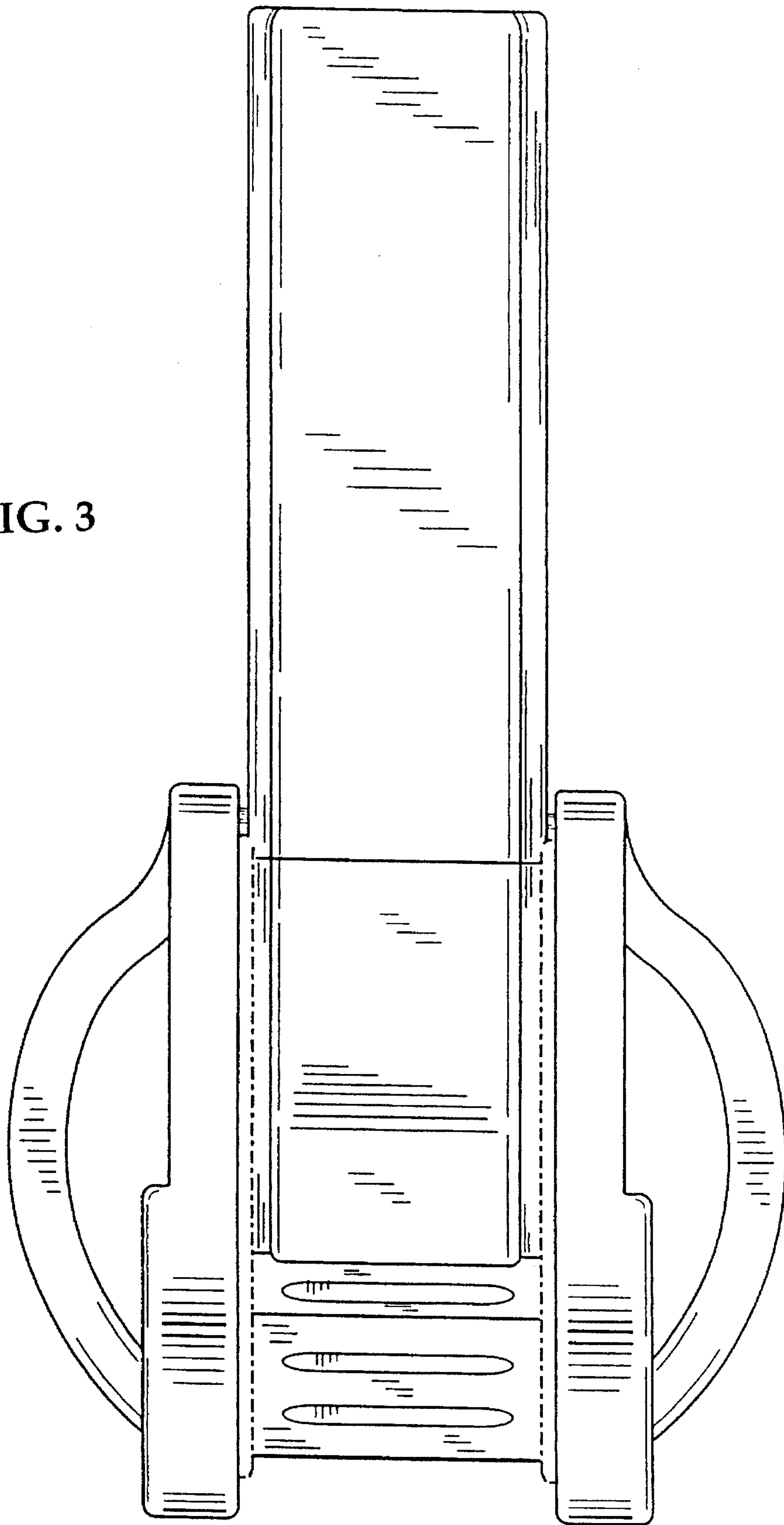


FIG. 2

FIG. 3



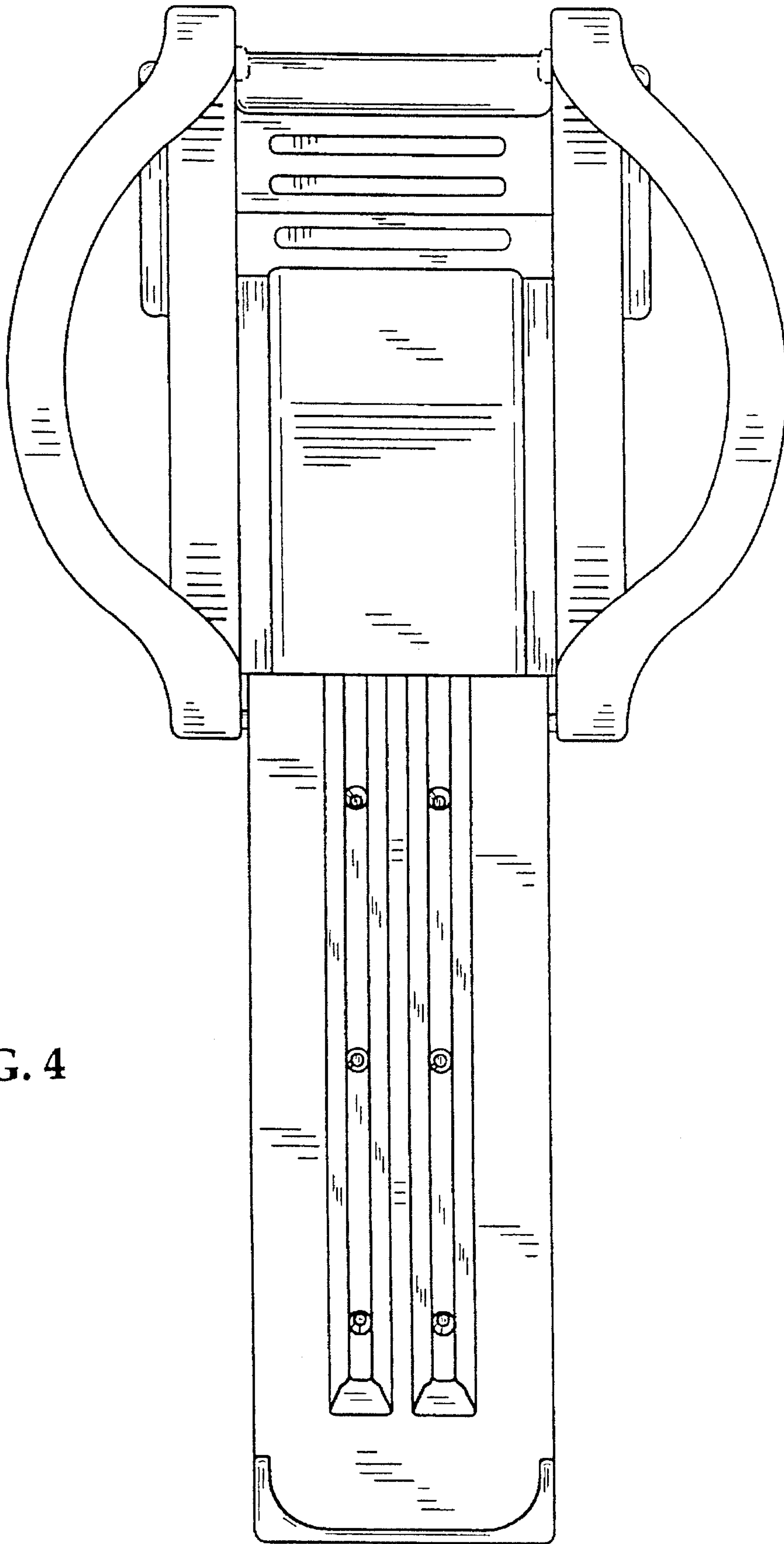


FIG. 4

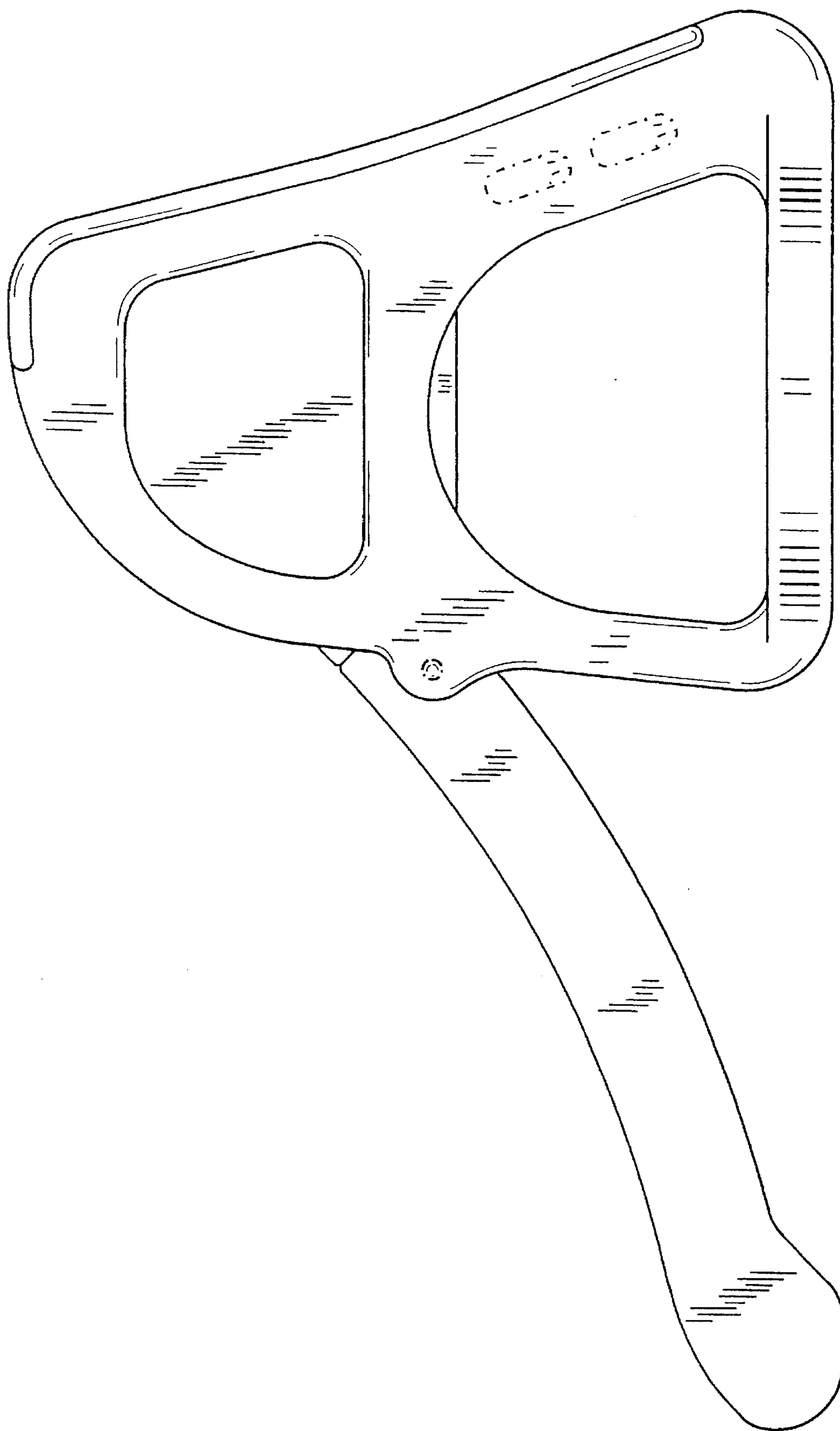


FIG. 5

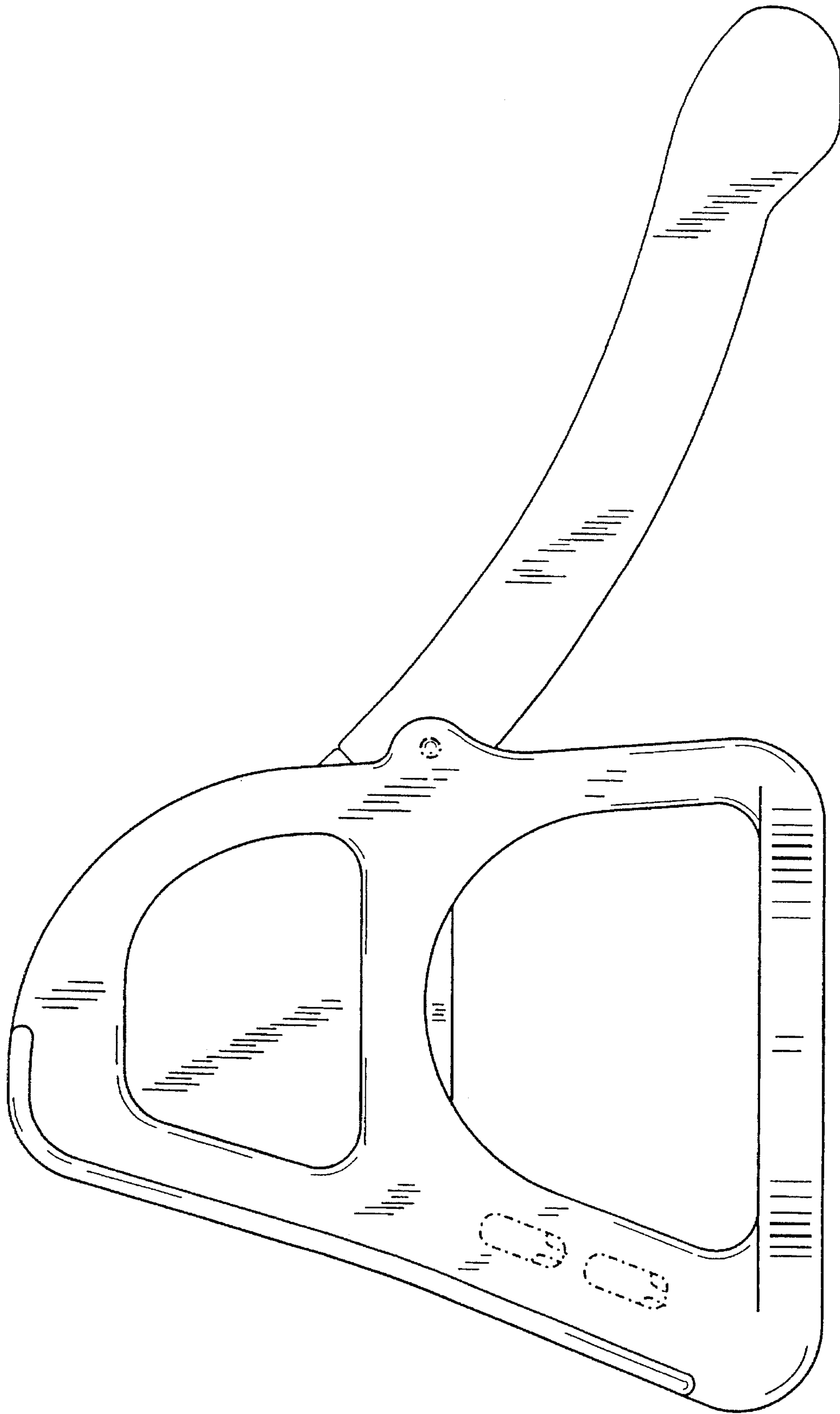


FIG. 6

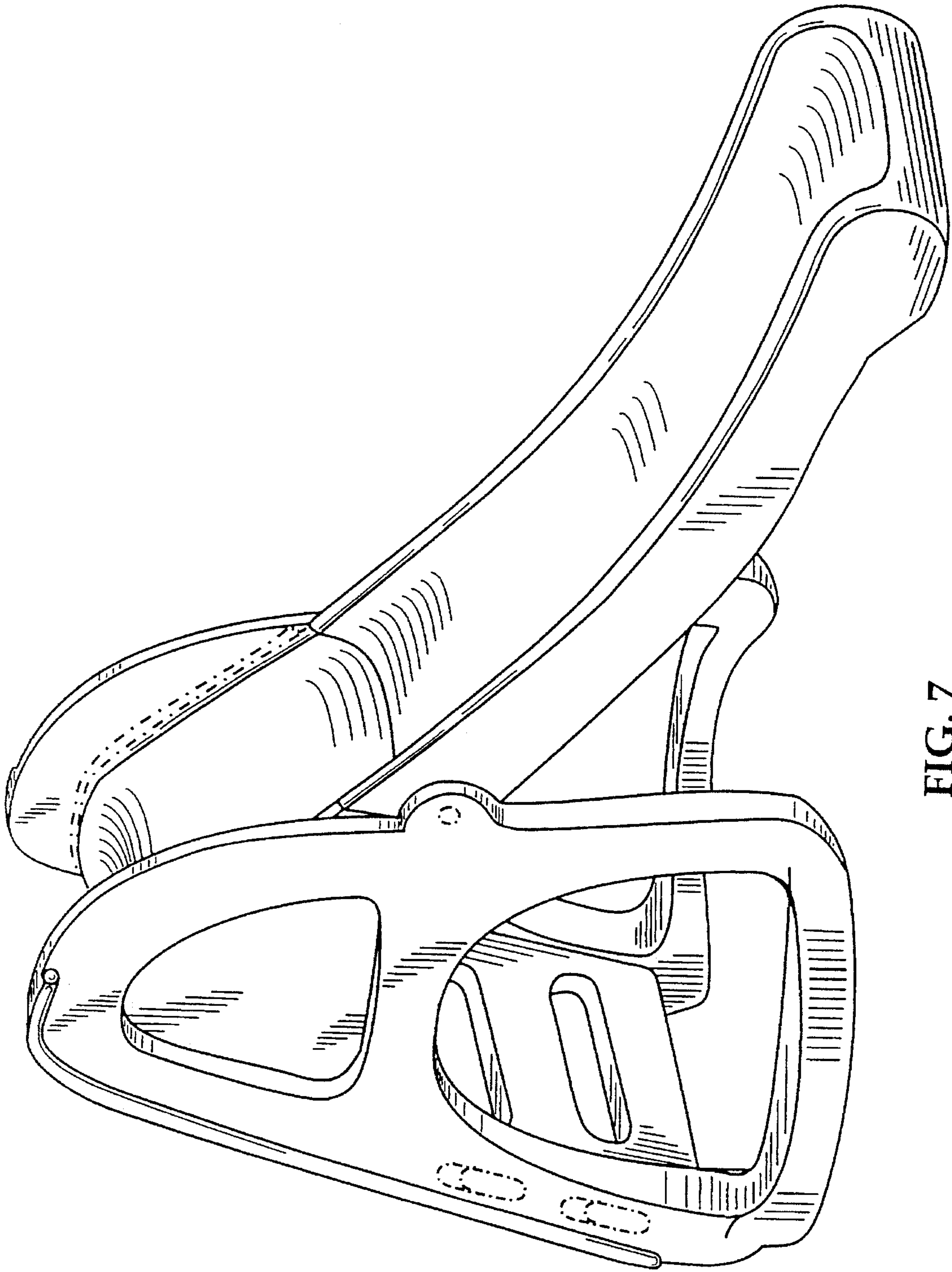


FIG. 7

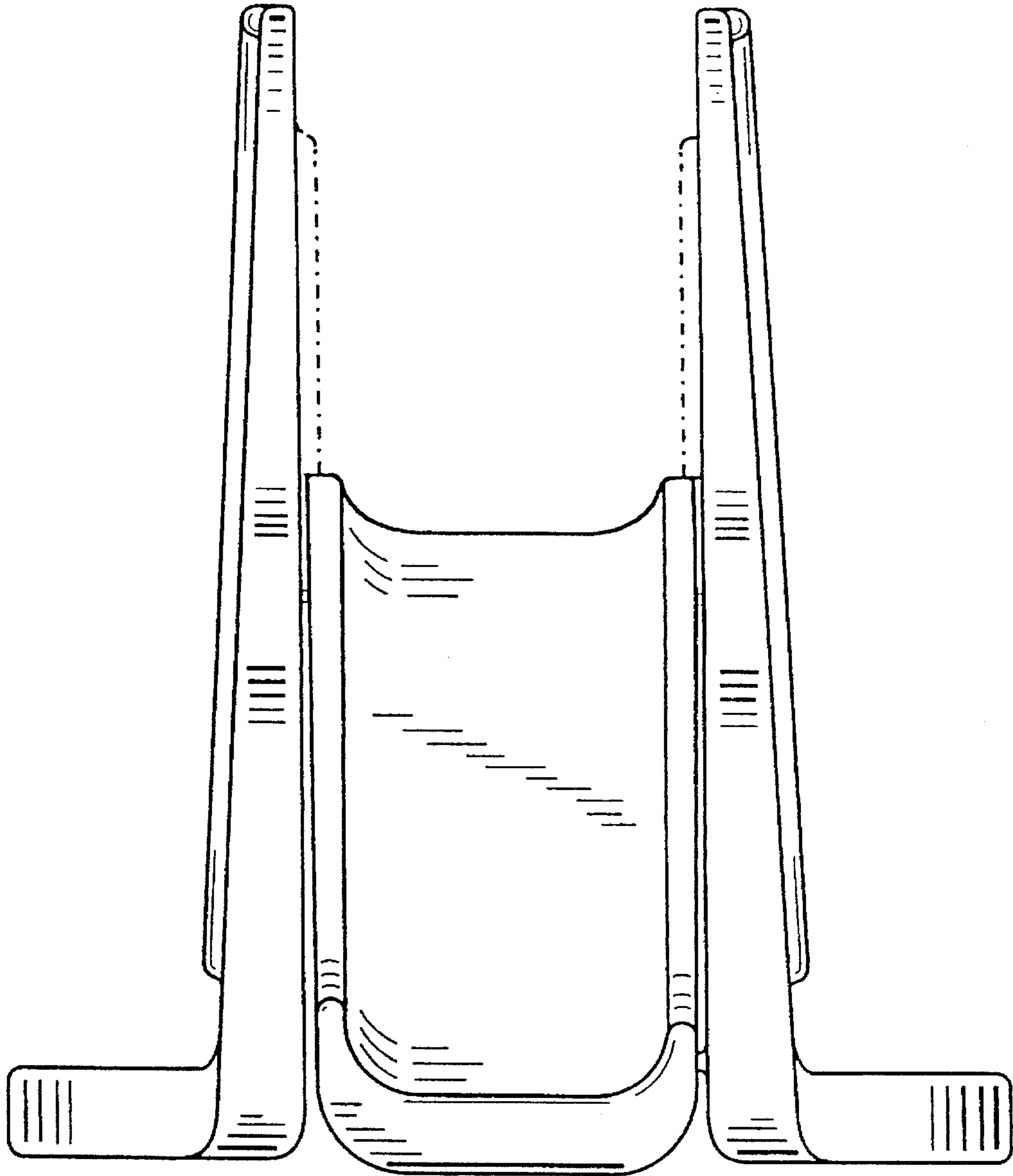


FIG. 8

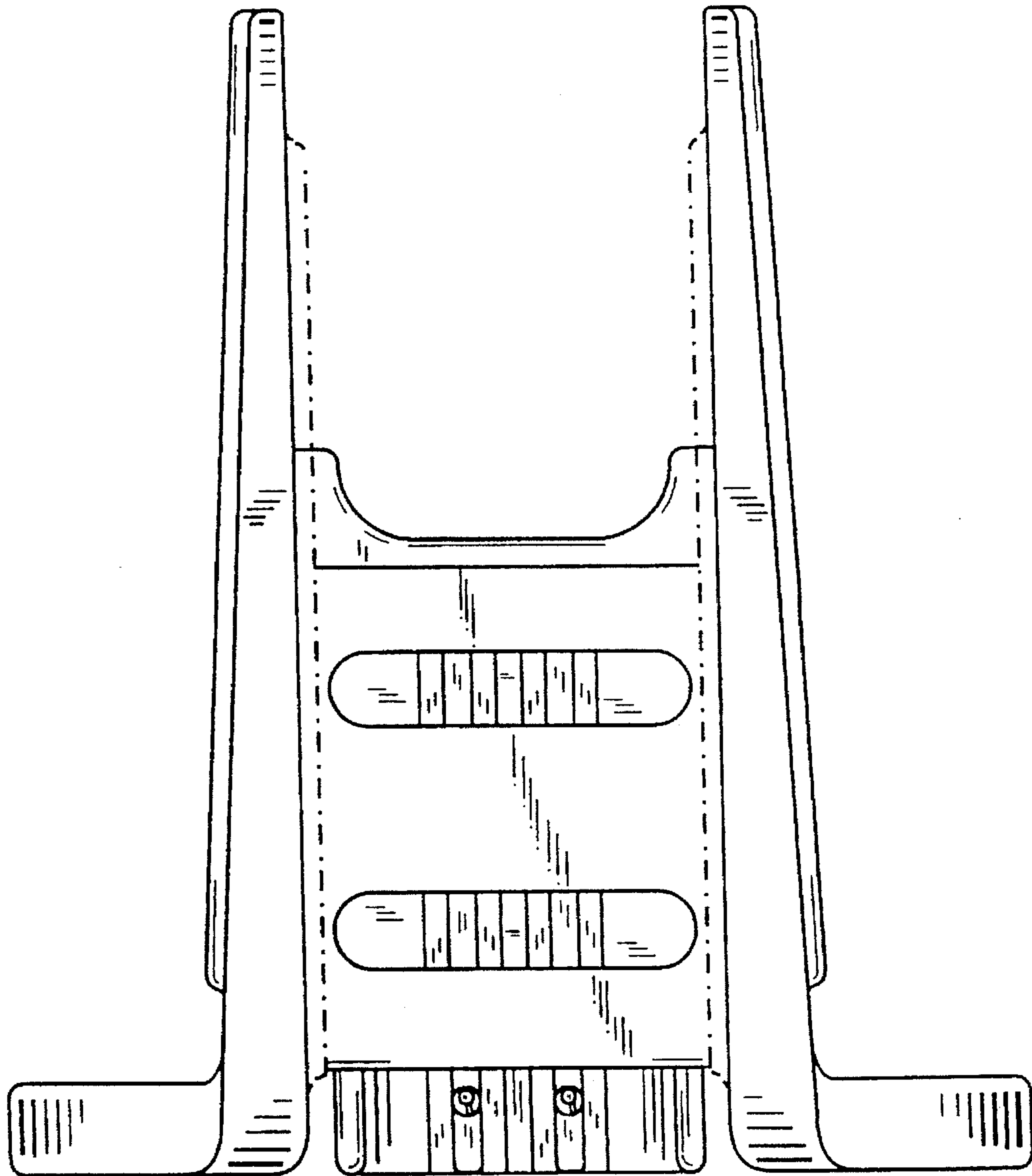
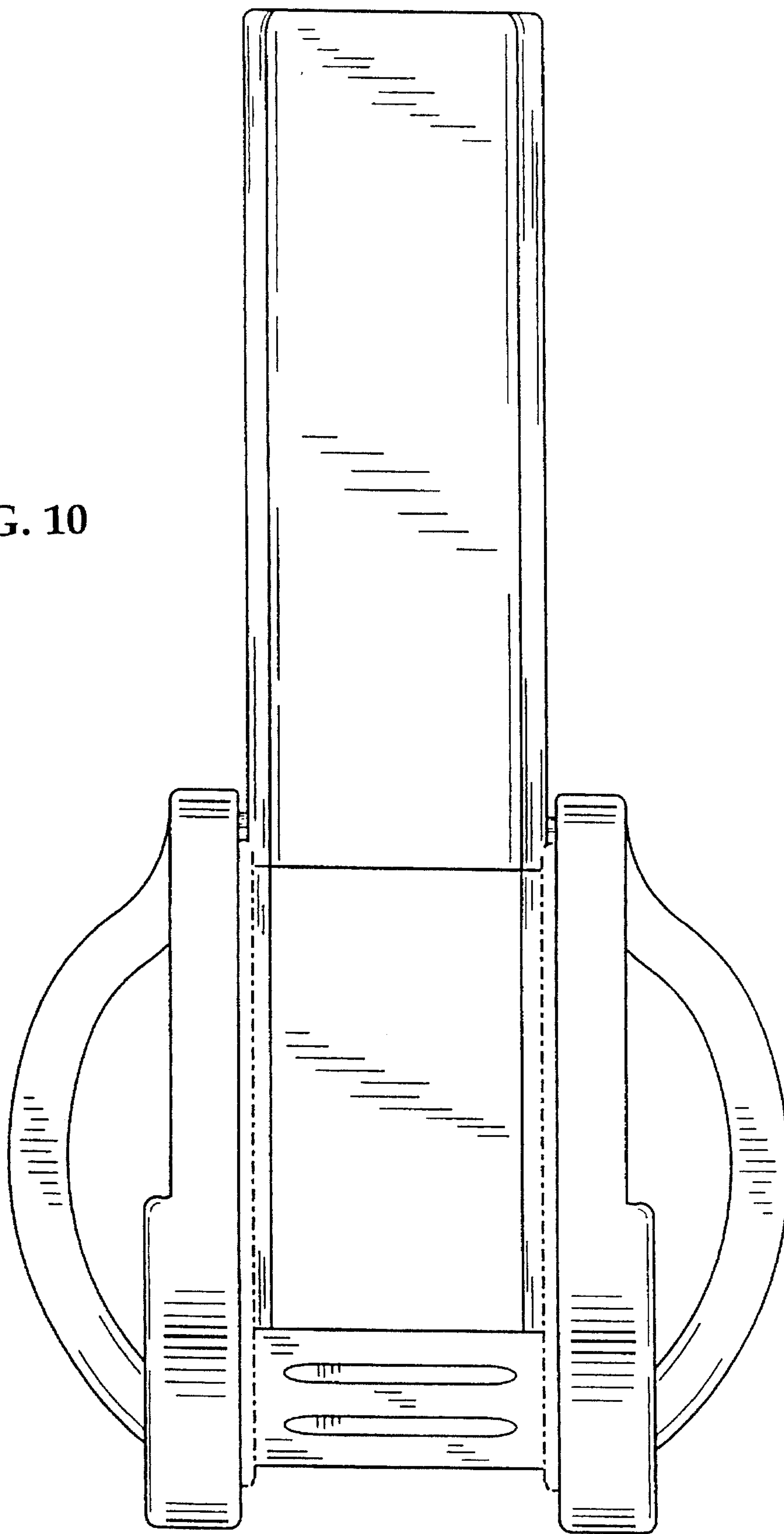


FIG. 9

FIG. 10



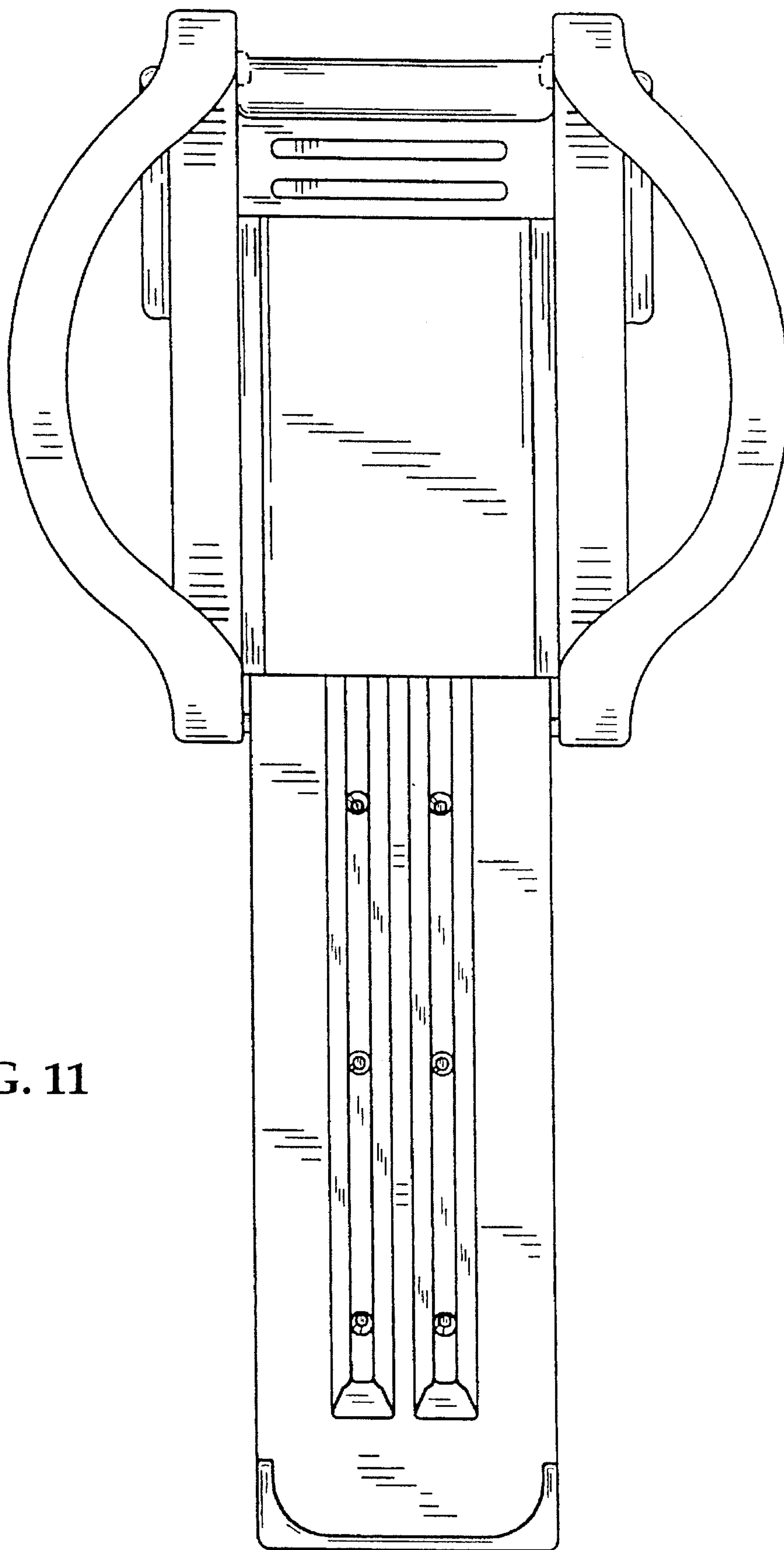


FIG. 11

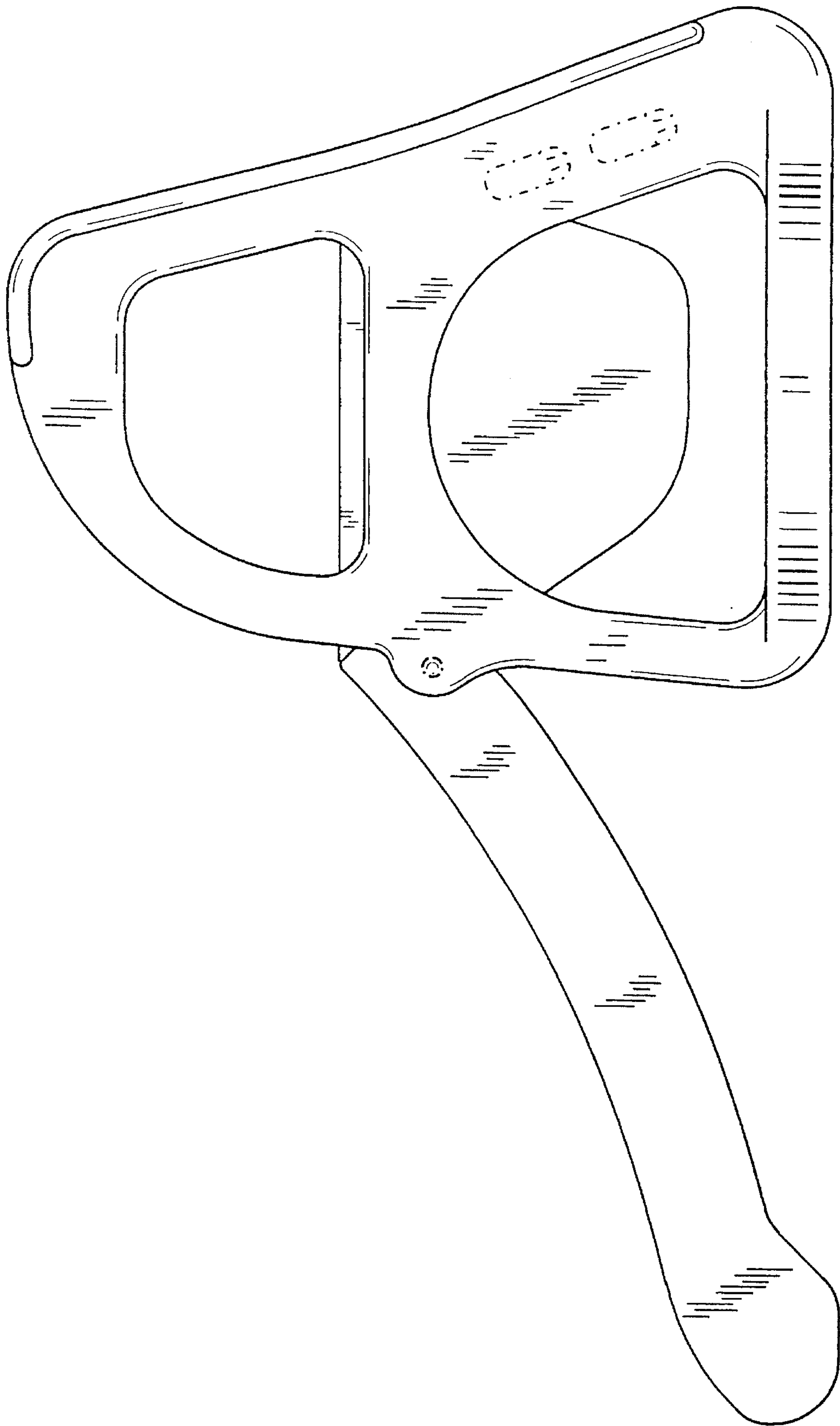


FIG. 12

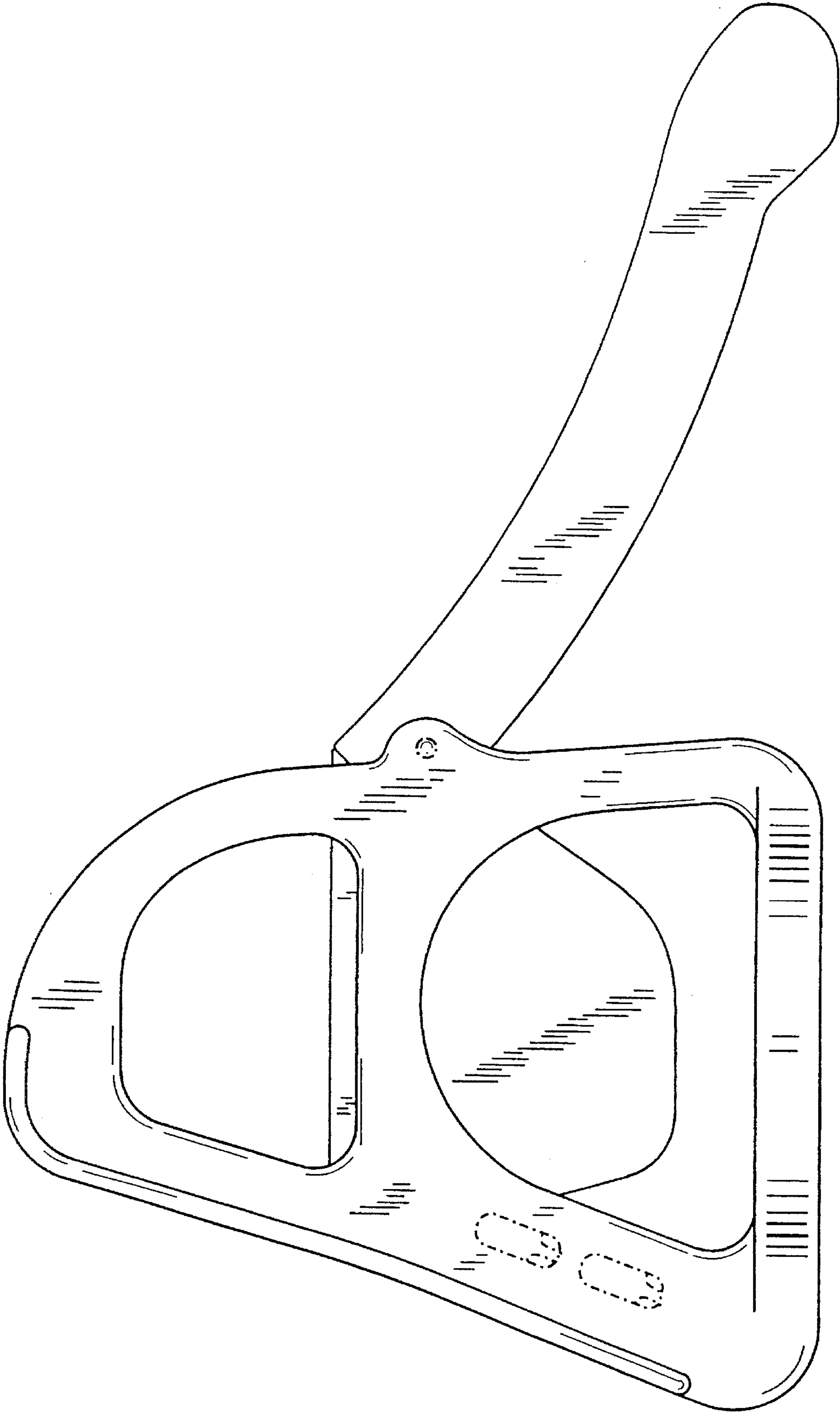


FIG. 13

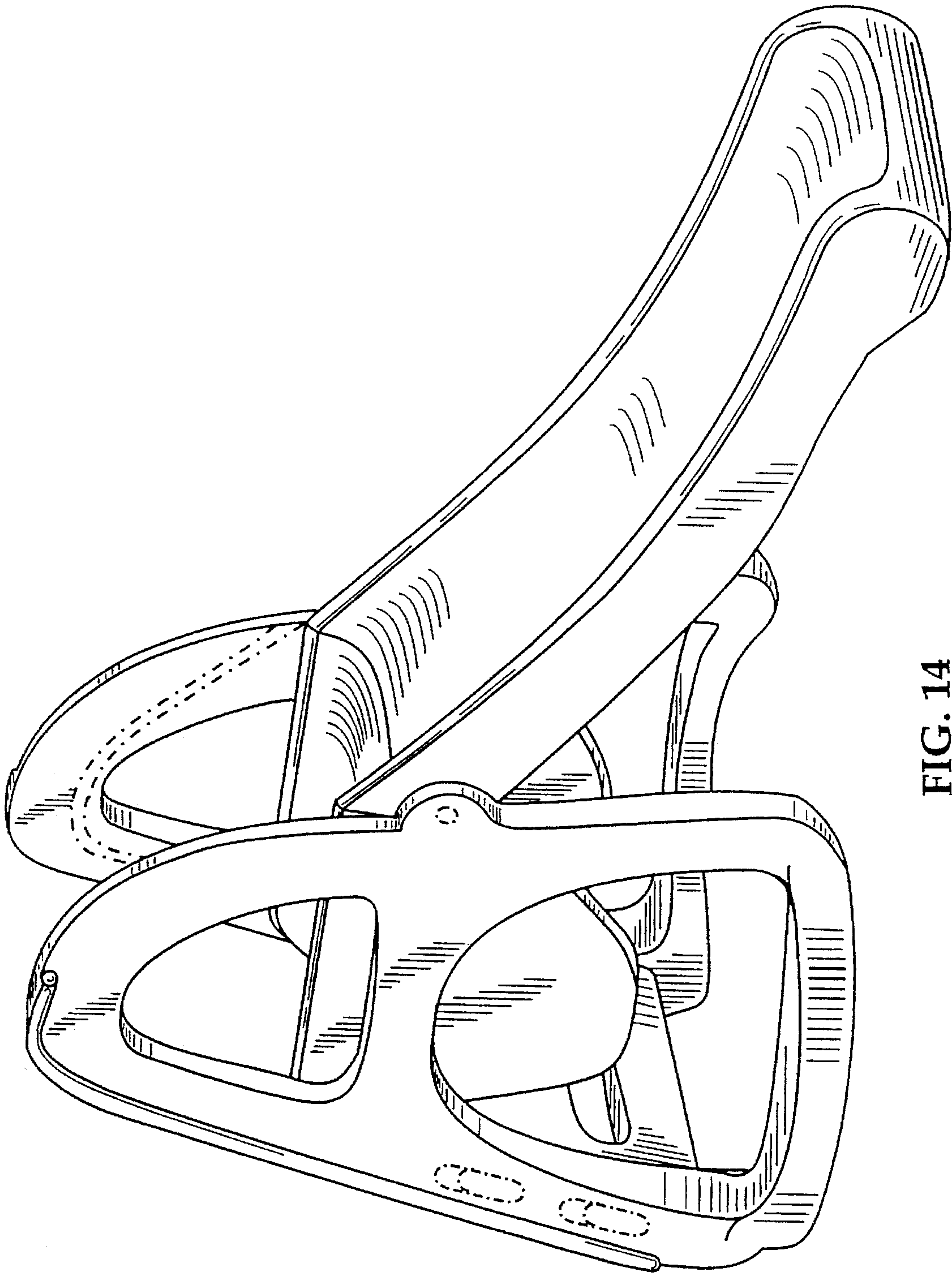


FIG. 14