



US00D367308S

# United States Patent [19]

[11] Patent Number: **Des. 367,308**

**Kelley et al.**

[45] Date of Patent: **\*\*Feb. 20, 1996**

[54] **PANEL FOR ACTIVITY PLAY ENCLOSURE**

[75] Inventors: **Miriam Kelley**, Buffalo; **Craig McElhaney**, East Aurora, both of N.Y.

[73] Assignee: **Fisher-Price, Inc.**, East Aurora, N.Y.

[\*\*] Term: **14 Years**

[21] Appl. No.: **27,333**

[22] Filed: **Aug. 19, 1994**

[52] U.S. Cl. .... **D21/240**

[58] Field of Search ..... D21/240-245,  
D21/114, 109; 482/35-37; 446/476, 487;  
D6/331

[56] **References Cited**

**U.S. PATENT DOCUMENTS**

D. 122,830	10/1940	Wilson	.....	D21/240
D. 344,121	2/1994	Warren	.....	D21/240
D. 348,988	7/1994	Bro et al.	.....	D6/331
D. 353,866	12/1994	Houry et al.	.....	D21/240
D. 353,867	12/1994	Houry et al.	.....	D21/240
D. 354,108	1/1995	Houry et al.	.....	D21/240
D. 358,441	5/1995	Houry et al.	.....	D21/240
4,343,117	8/1982	Shemitz	.....	52/90
4,536,162	8/1985	Ace, Jr.	.....	446/102
4,874,341	10/1989	Ziegler	.....	446/487 X
5,265,848	11/1993	Michaud et al.	.....	256/26

**OTHER PUBLICATIONS**

Today's Kids Wish Book, 1994, "Play'N Fold Clubhouse", p. 3.  
Today's Kids Wish Book, 1994, "Infant-Toddler Playland", p. 4.  
Little Tikes: Toys That Last, 1994, "Activity Garden", p. 4.

Little Tikes: Toys That Last, 1994, "Log Cabin", p. 56.  
Little Tikes: Toys That Last, 1994, "Castle", p. 56.  
Little Tikes: Toys That Last, 1994, "Evergreen Playhouse", p. 57.  
Little Tikes: Toys That Last, 1994, "Country Cottage", p. 59.  
Step Two: A Step Beyond, 1994, "Drive-In Playhouse", p. 22.  
Step Two: A Step Beyond, 1994, "Snap-Together Fence", p. 23.  
Clairbois, Guide des Nouveautes 93, "Le Jardin Des Oursons".  
Flexible Flyer, "Cozy Condo Playhouse".

*Primary Examiner*—Ted Shooman  
*Assistant Examiner*—Mitchell I. Siegel  
*Attorney, Agent, or Firm*—Howrey & Simon; C. Scott Talbot; Jennifer M. Hall

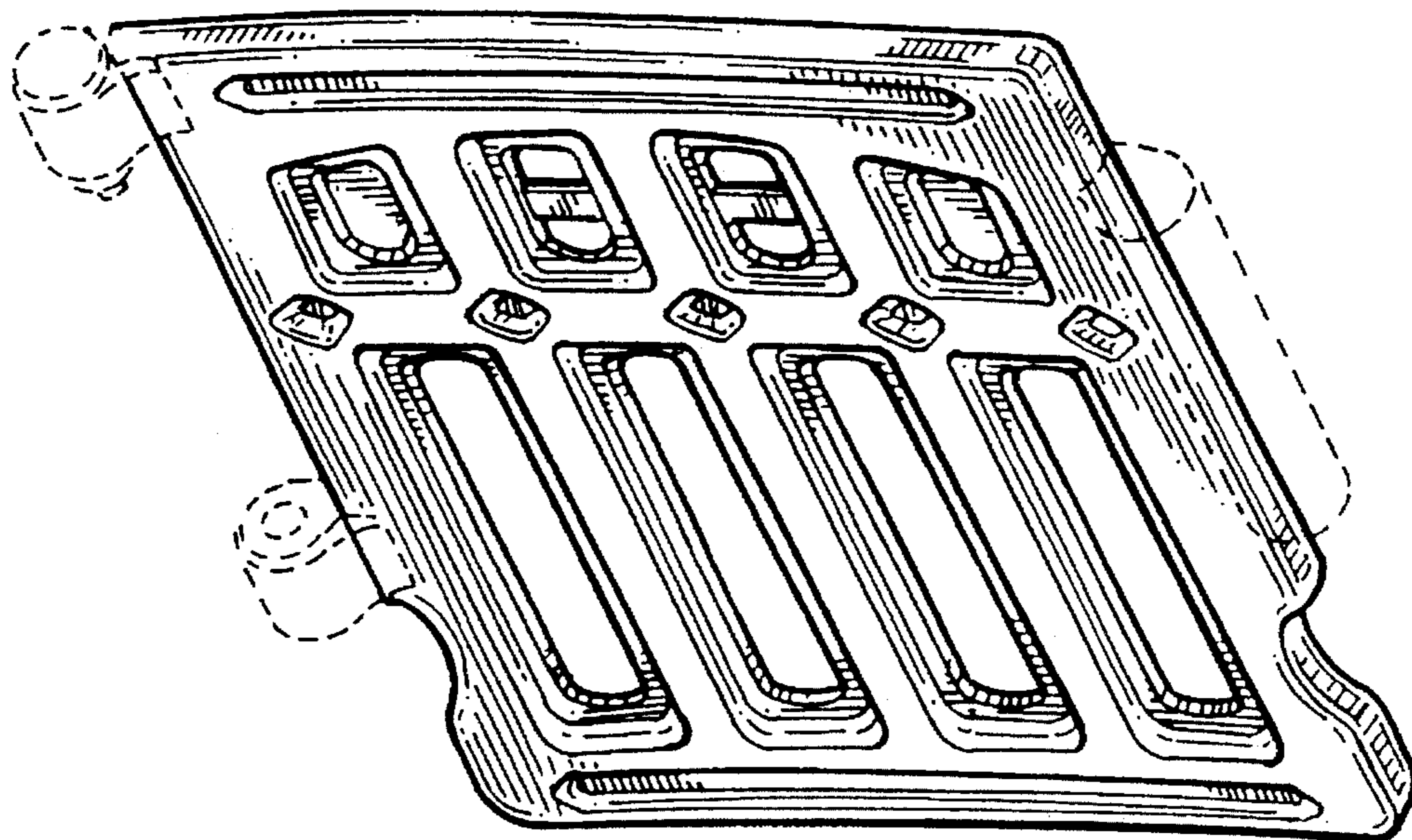
[57] **CLAIM**

The ornamental design for a panel for activity play enclosure, as shown and described.

**DESCRIPTION**

FIG. 1 is a front elevational view of a panel for activity play enclosure showing my new design;  
FIG. 2 is a rear elevational view thereof;  
FIG. 3 is a top plan view thereof;  
FIG. 4 is a bottom plan view thereof;  
FIG. 5 is a right side elevational view thereof;  
FIG. 6 is a left side elevational view thereof; and,  
FIG. 7 is a top perspective view thereof.  
The broken line showing of a interconnecting joints is for illustrative purposes only and forms no part of the claimed design.

**1 Claim, 3 Drawing Sheets**



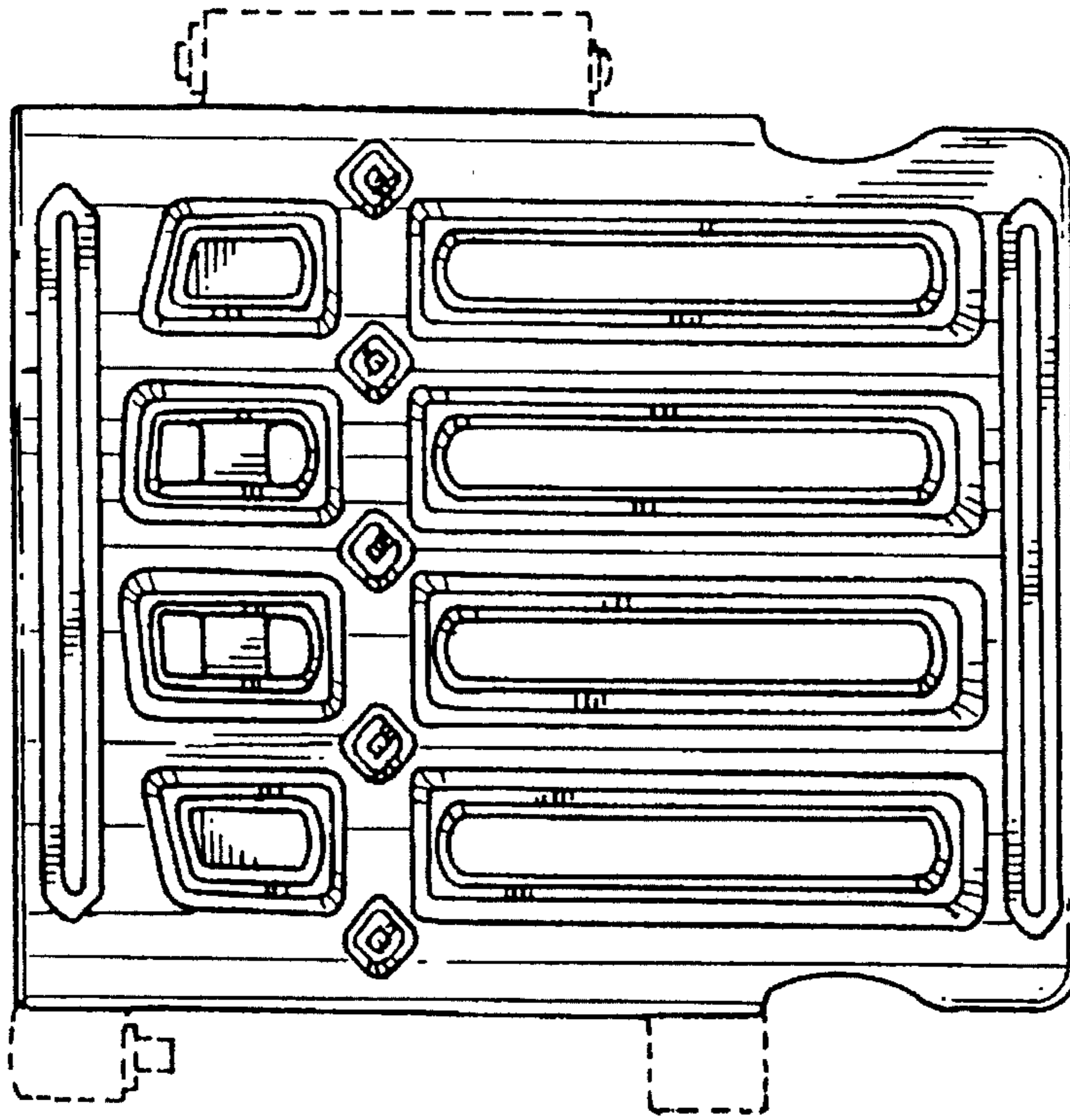


FIG. 2

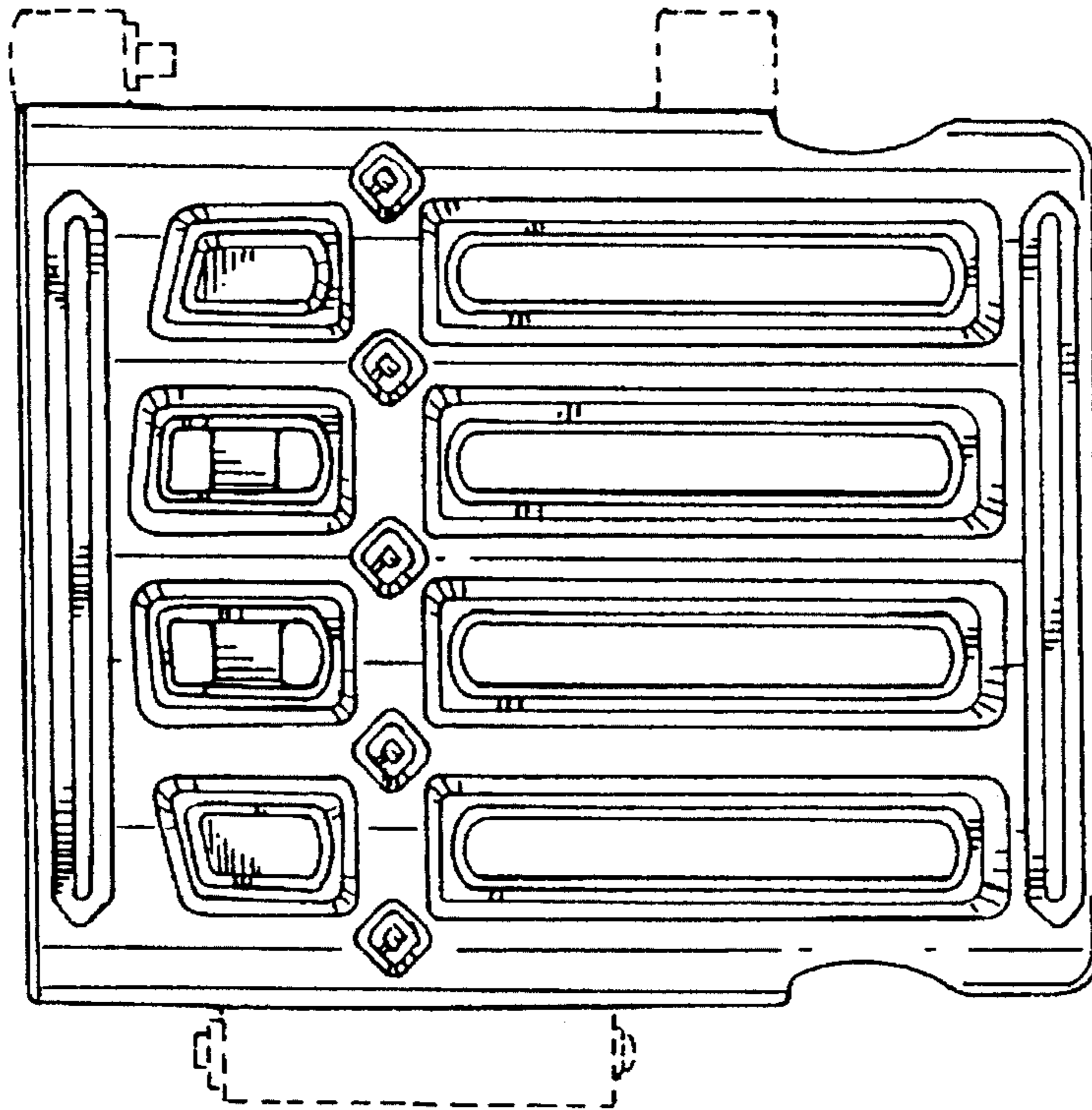


FIG. 1

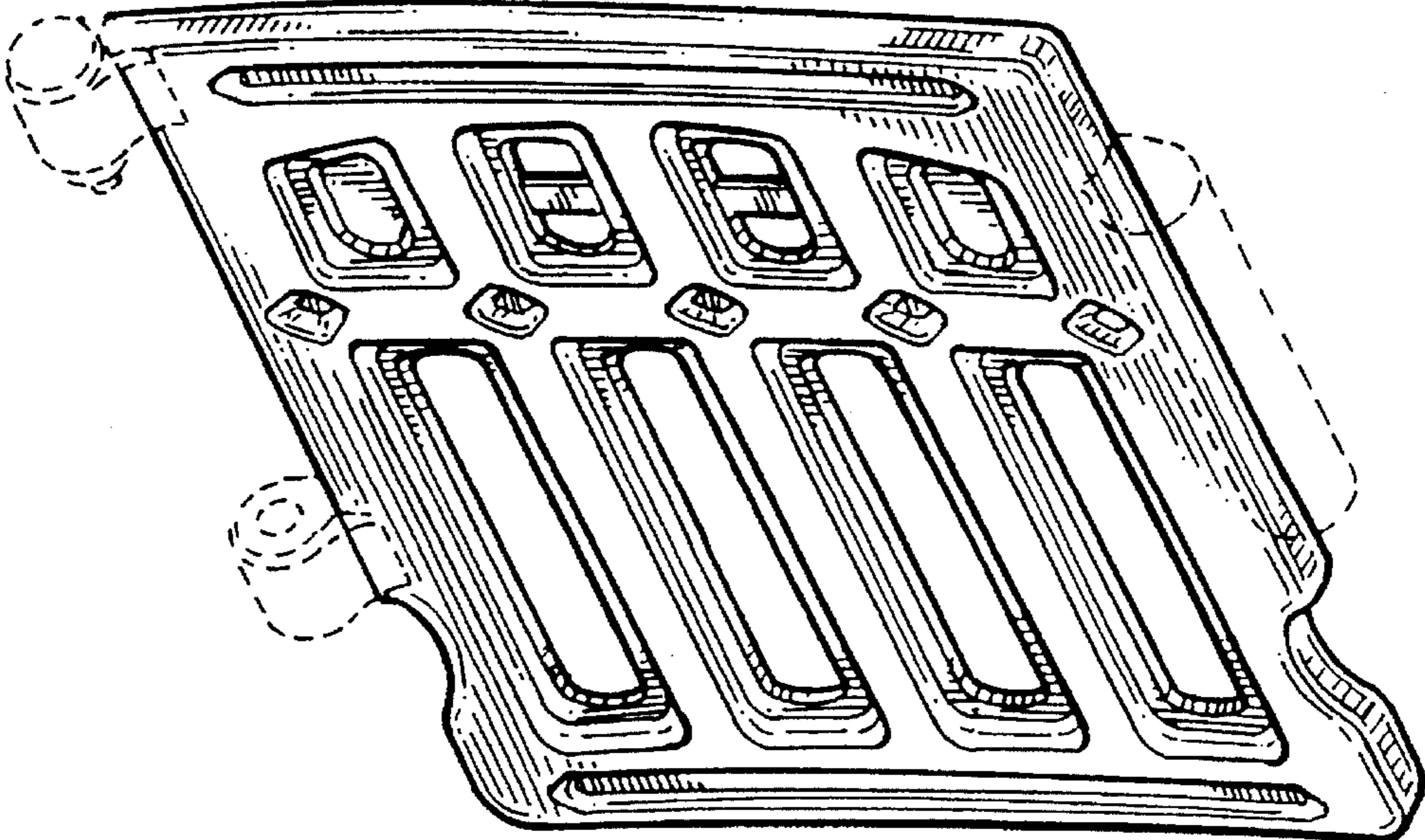


FIG. 7

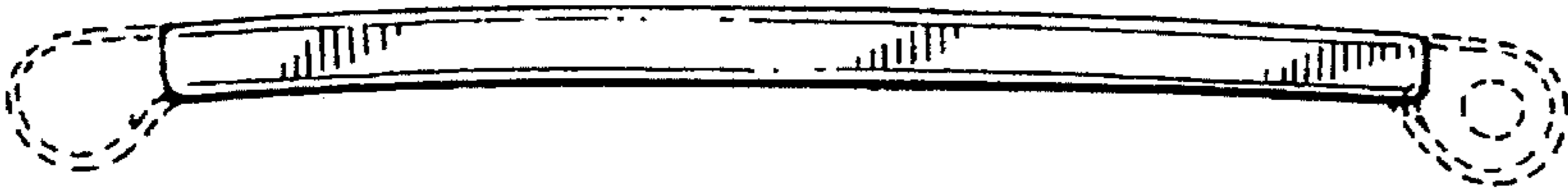


FIG. 3

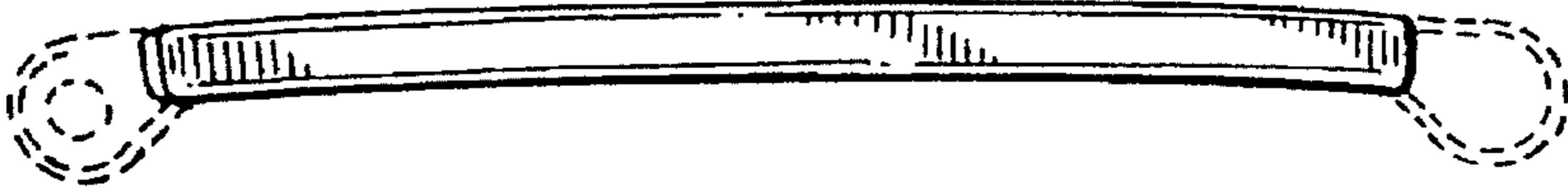


FIG. 4



FIG. 5

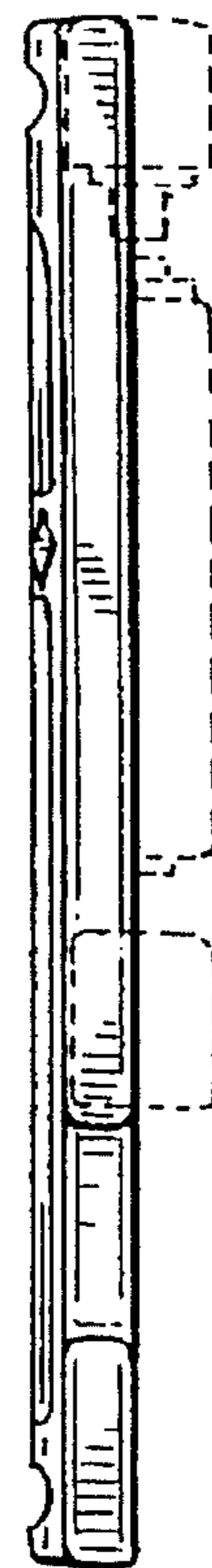


FIG. 6