



US00D367307S

United States Patent [19] O'Neill

[11] Patent Number: **Des. 367,307**

[45] Date of Patent: ****Feb. 20, 1996**

[54] **TRANSPARENT BOTTOM FLOAT**
[76] Inventor: **John J. O'Neill**, 441 Robson Drive,
Kamloops, British Columbia, Canada,
V2E 1W2

4,895,539 1/1990 Bender .
4,925,417 5/1990 Warren .
5,337,692 8/1994 Troiani 114/61

[**] Term: **14 Years**

Primary Examiner—Kay H. Chin

[21] Appl. No.: **28,440**

[57] **CLAIM**

The ornamental design for the transparent bottom float, as shown and described.

[22] Filed: **Sep. 15, 1994**

DESCRIPTION

[52] U.S. Cl. **D21/237; D21/236**

[58] Field of Search D21/236, 237;
D12/316; 441/131, 130; 114/61, 357, 363;
472/129

FIG. 1 is a front elevational view of the transparent bottom float showing my new design;
FIG. 2 is a rear elevational view thereof;
FIG. 3 is a left side elevational view thereof;
FIG. 4 is a right side elevational view thereof;
FIG. 5 is a top plan view thereof;
FIG. 6 is a bottom plan view thereof;
FIG. 7 is a cross-sectional view taken along line 7—7 of FIG. 5; and,
FIG. 8 is an enlarged perspective view thereof.

[56] References Cited

U.S. PATENT DOCUMENTS

2,761,155 9/1956 Headley 472/129
3,955,230 5/1976 Rogers et al. 441/131
4,228,751 10/1980 Robertson et al. .
4,465,468 8/1984 Deacy .
4,715,837 12/1987 Floyd .

1 Claim, 4 Drawing Sheets

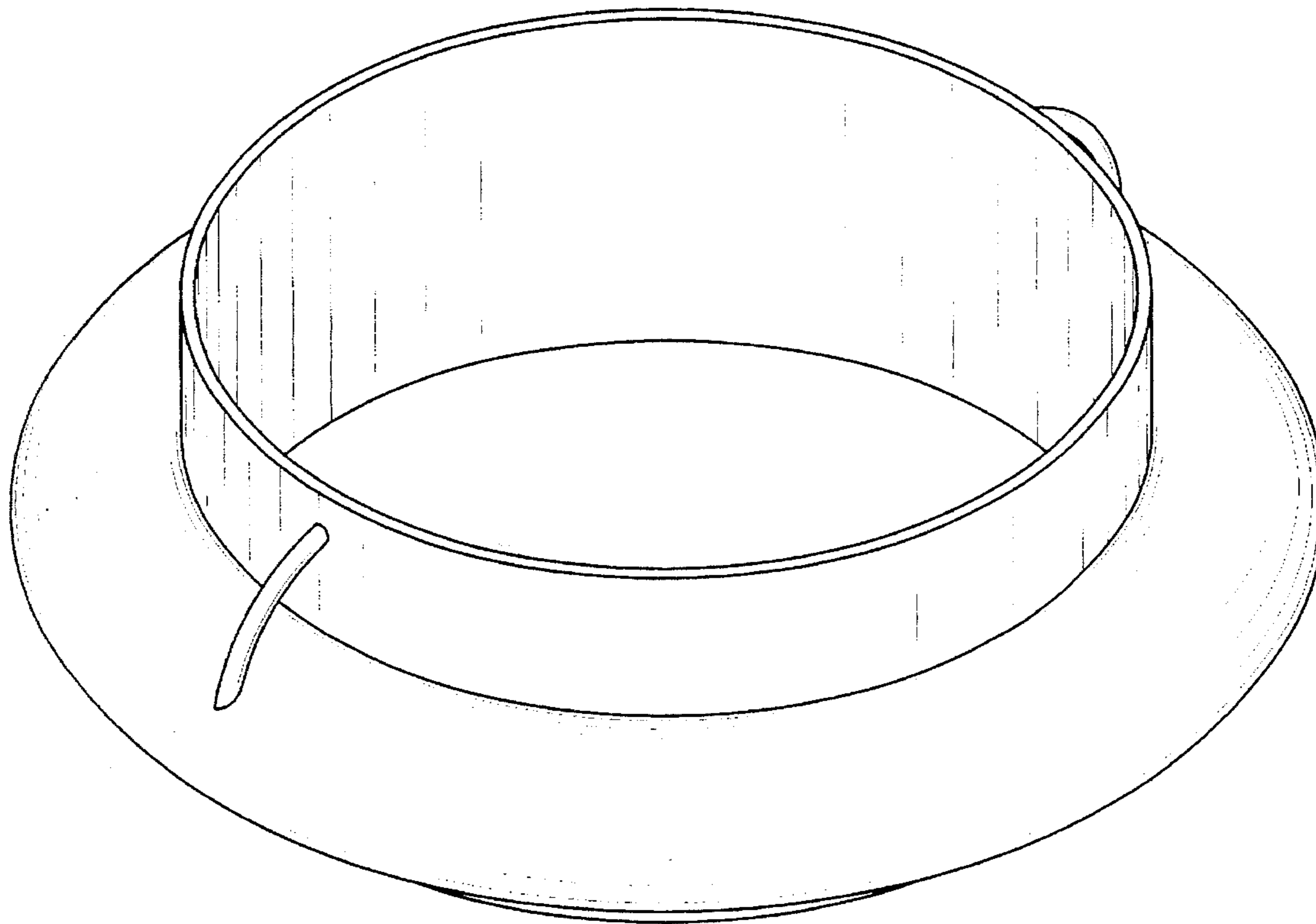


FIG. 1

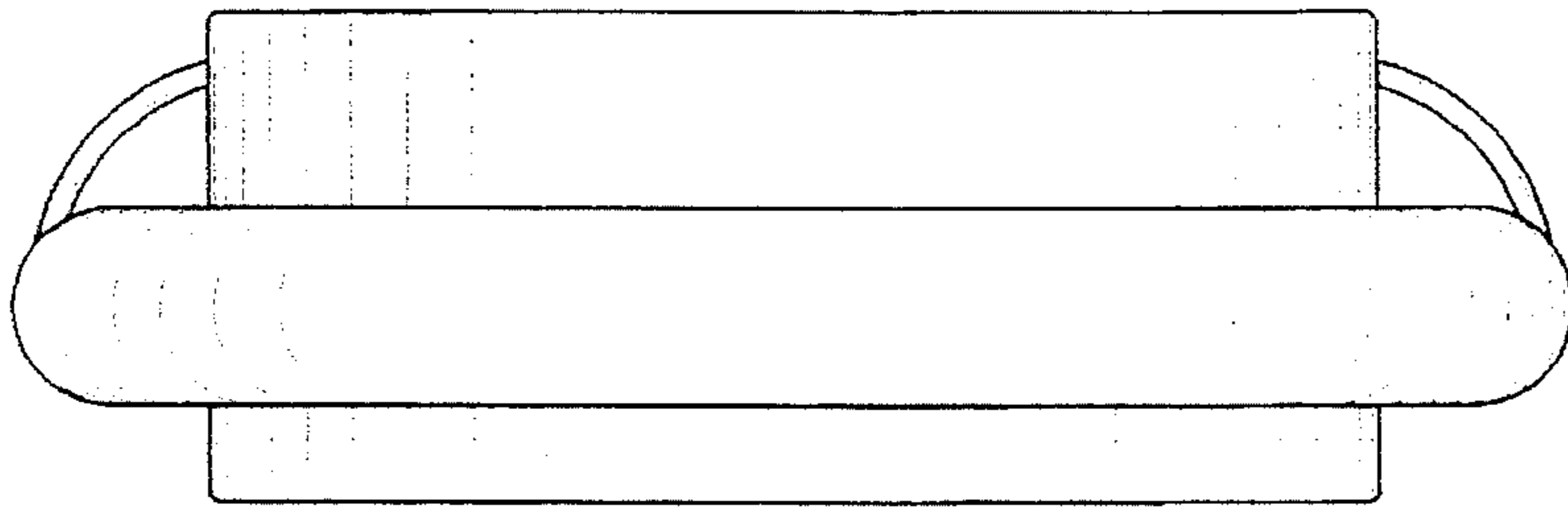


FIG. 2

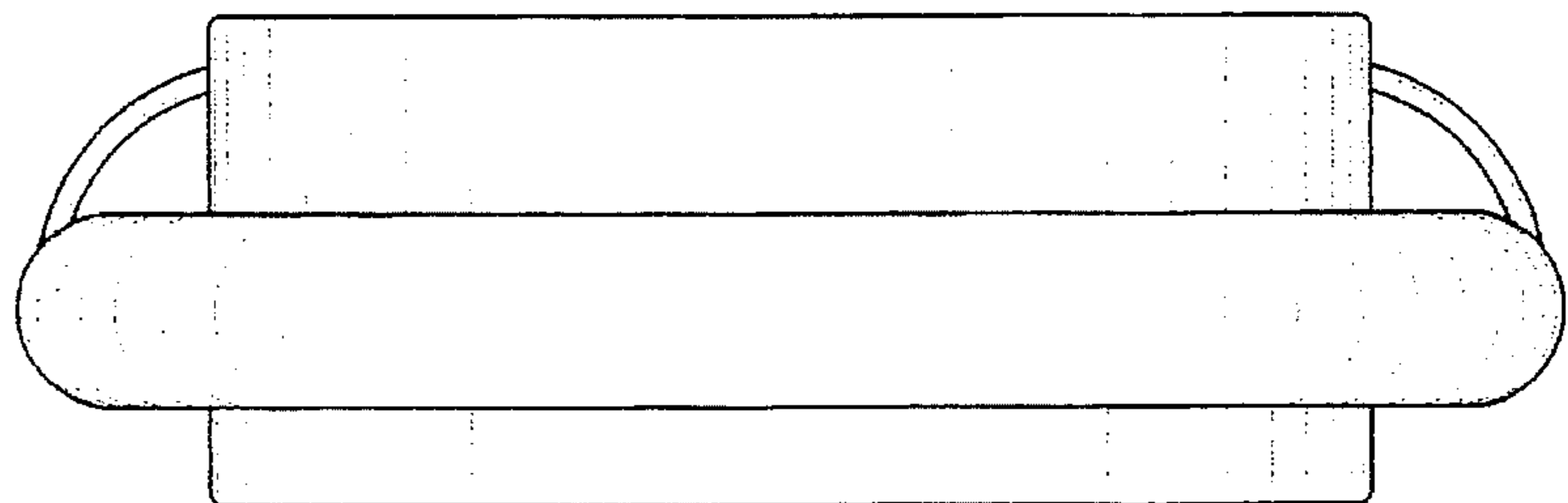


FIG. 3

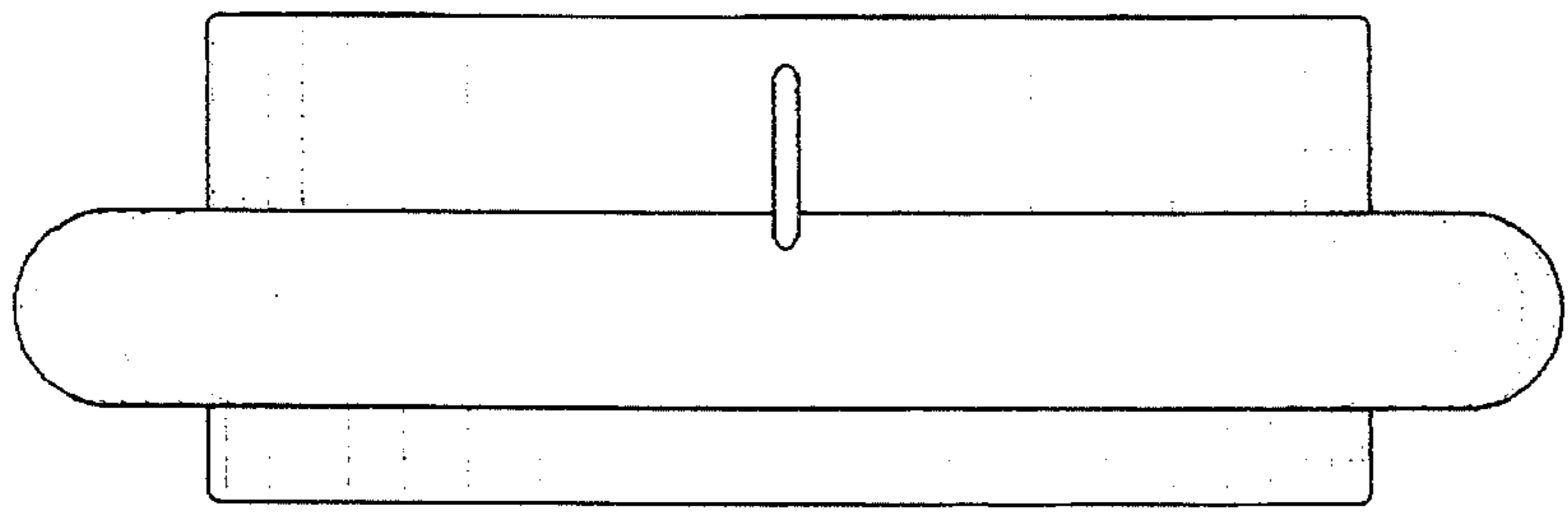


FIG. 4

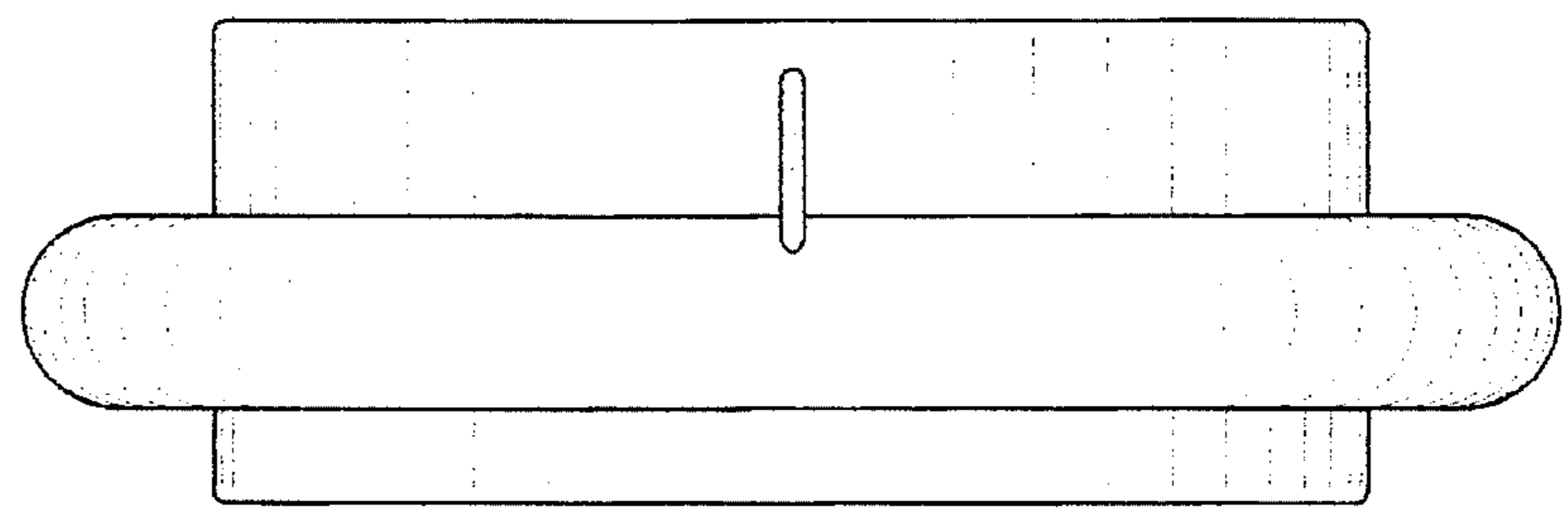


FIG. 5

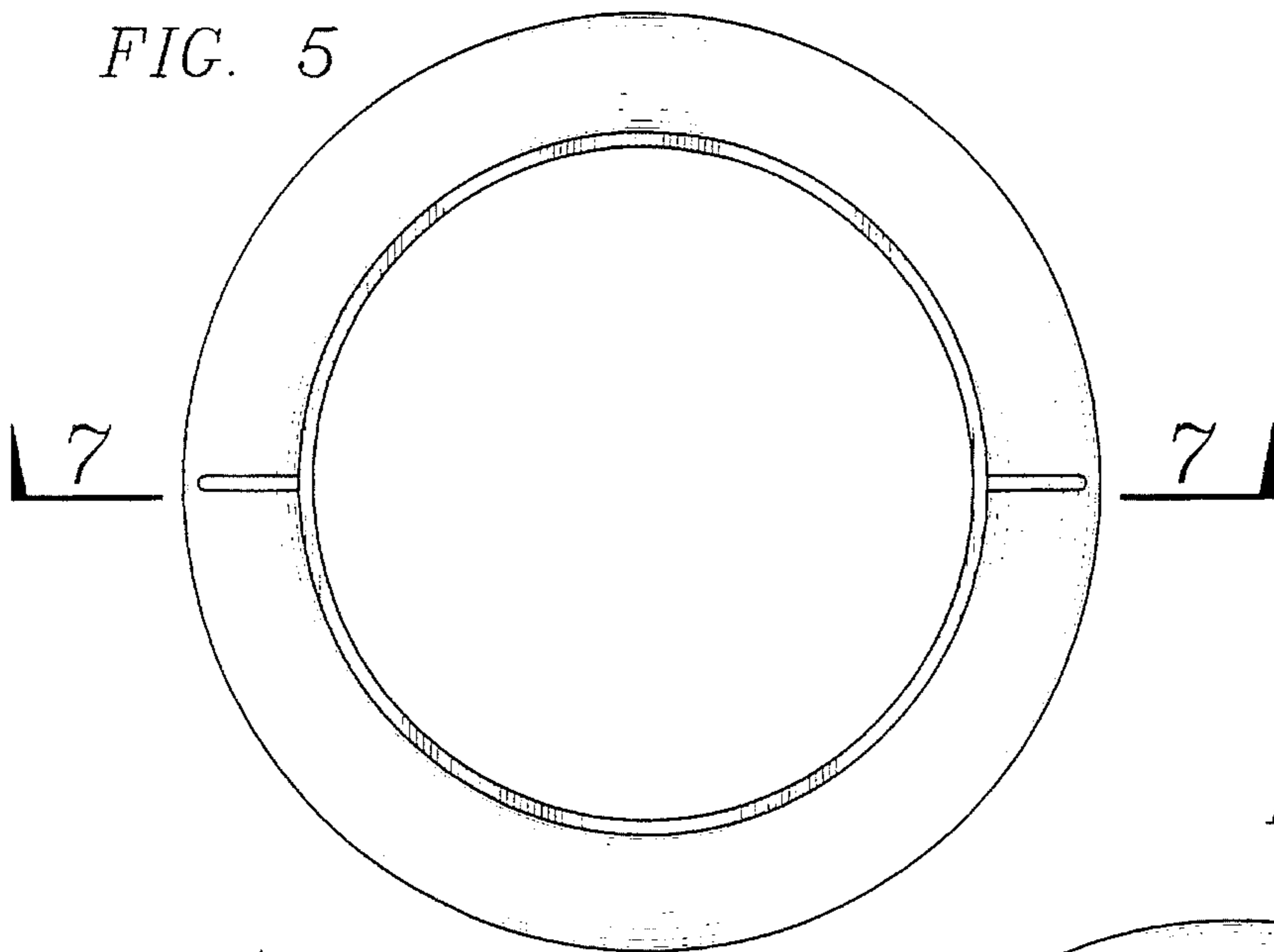


FIG. 6

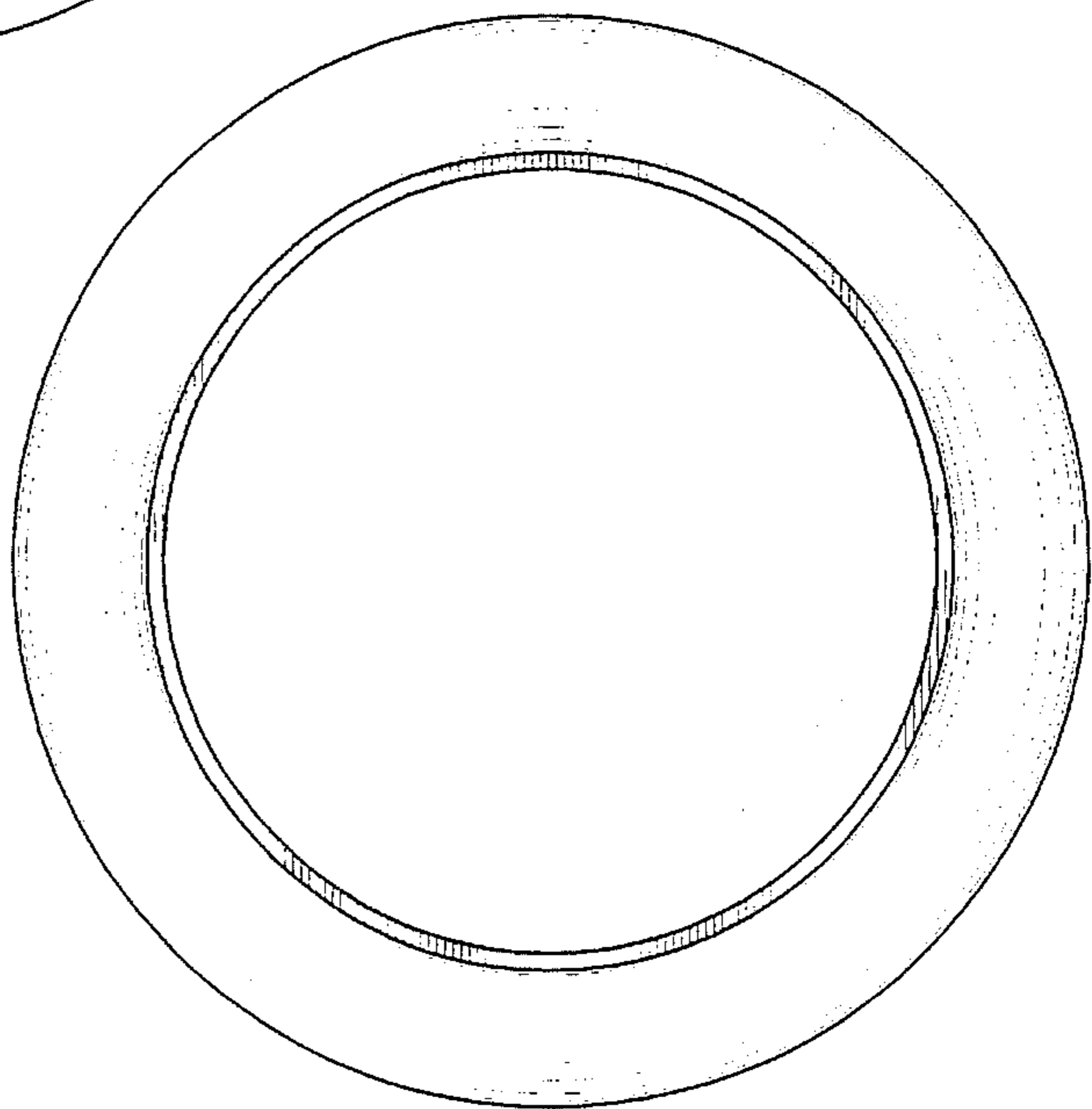


FIG. 7

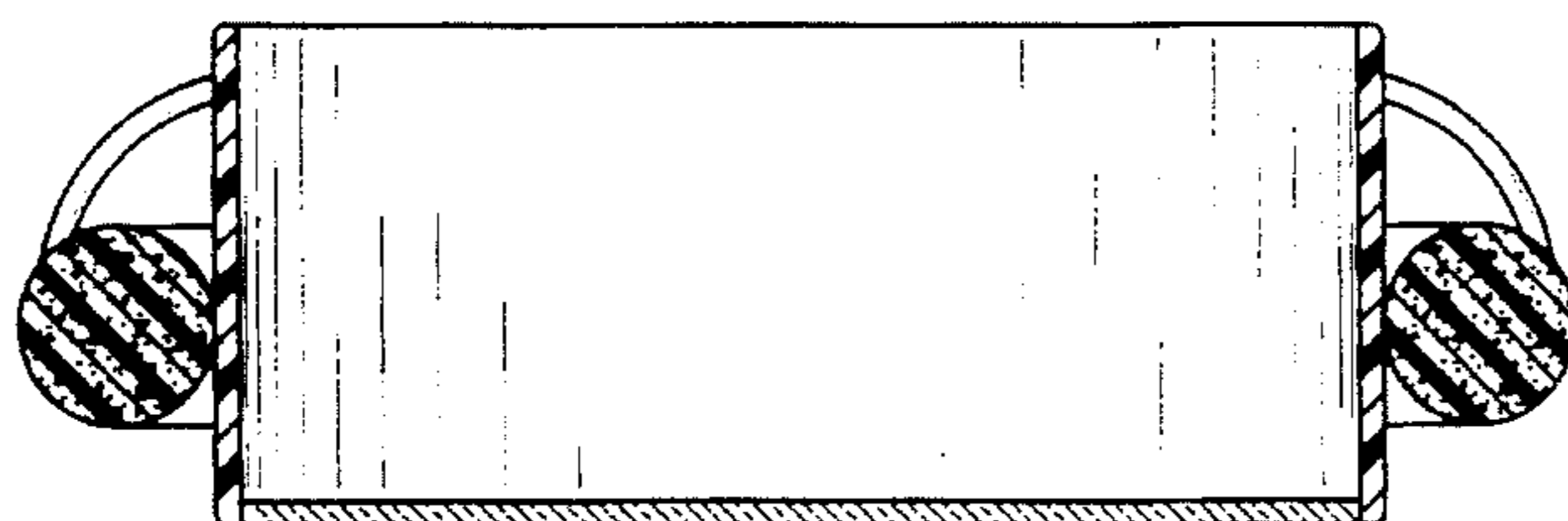


FIG. 8

