



US00D367297S

# United States Patent [19]

Doucette

[11] **Patent Number: Des. 367,297**

[45] **Date of Patent: \*\*Feb. 20, 1996**

[54] **STEERABLE TOY VEHICLE**

[76] Inventor: **Gregory M. Doucette**, 19 Parade Street  
Apt. 4, Yar., Nova Scotia, Canada,  
B5A3A6

[\*\*] Term: **14 Years**

[21] Appl. No.: **31,627**

[22] Filed: **Dec. 1, 1994**

[52] U.S. Cl. .... **D21/71; D21/78**

[58] **Field of Search** ..... D21/71, 73, 76,  
D21/78, 79, 129, 134, 137, 224, 227; 280/87.042,  
87.021, 87.01, 828; 446/93, 94, 96, 451,  
468, 465, 470

[56] **References Cited**

**U.S. PATENT DOCUMENTS**

|            |        |            |       |        |
|------------|--------|------------|-------|--------|
| D. 67,617  | 6/1925 | Salom, Jr. | ..... | D21/78 |
| D. 75,260  | 5/1928 | Kirst      | ..... | D21/78 |
| D. 240,546 | 7/1976 | Nashagh    | ..... | D21/78 |
| D. 277,199 | 1/1985 | Miller     | ..... | D21/78 |

|            |         |            |       |         |
|------------|---------|------------|-------|---------|
| D. 284,984 | 8/1986  | Tzanetakos | ..... | D21/134 |
| D. 352,075 | 11/1994 | Washington | ..... | D21/78  |
| 1,609,211  | 11/1926 | Sladek     | ..... | 446/468 |
| 4,595,380  | 6/1986  | Magers     | ..... | 446/468 |
| 5,000,716  | 3/1991  | Canavesi   | ..... | 446/468 |

*Primary Examiner*—Ted Shooman

*Assistant Examiner*—R. Barkai

[57] **CLAIM**

The ornamental design for a steerable toy vehicle, as shown and described.

**DESCRIPTION**

FIG. 1 is a front elevational view of the steerable toy vehicle showing my new design;

FIG. 2 is a rear elevational view thereof;

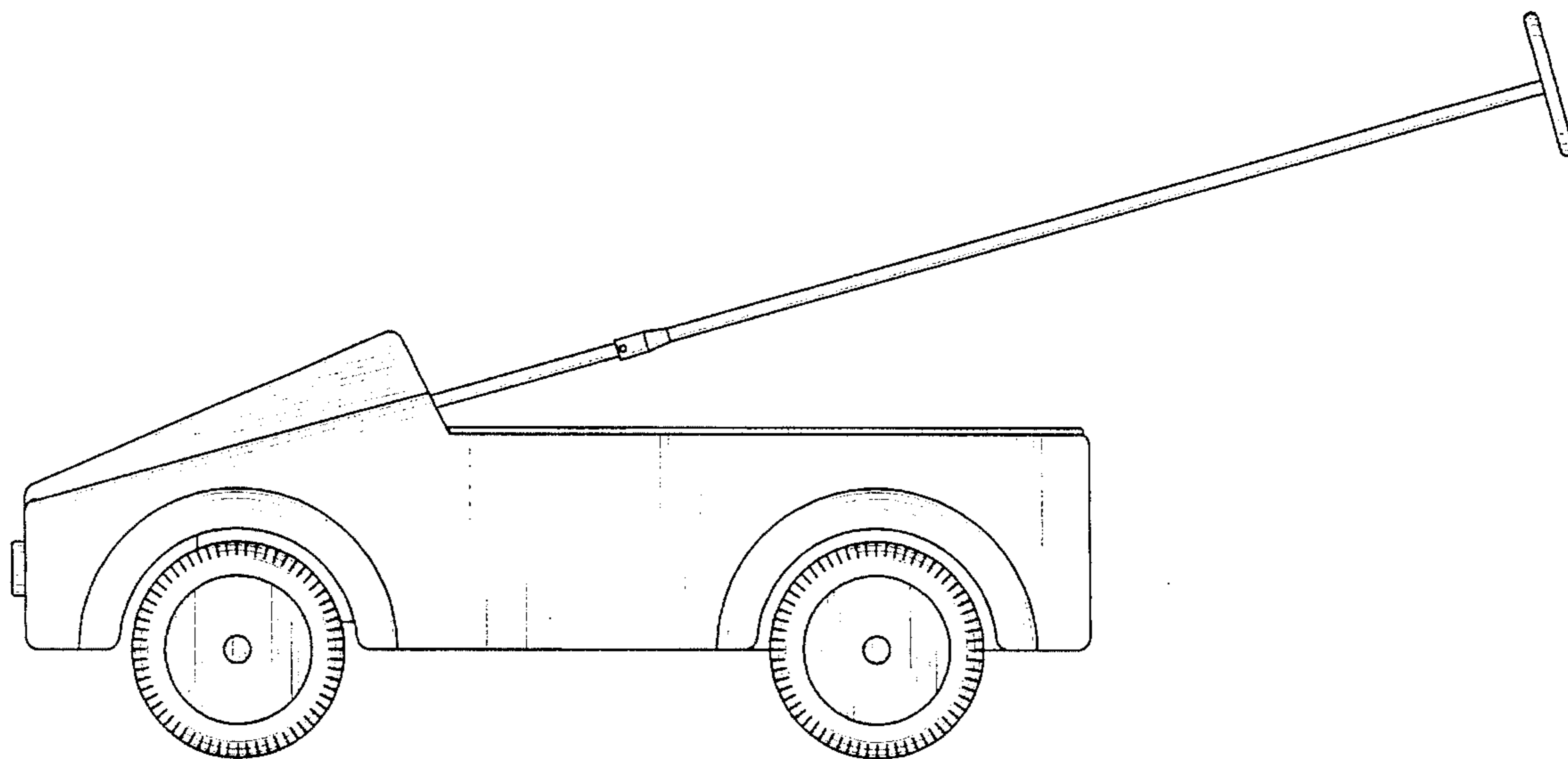
FIG. 3 is a left side elevational view thereof;

FIG. 4 is a right side elevational view thereof;

FIG. 5 is a top plan view thereof; and,

FIG. 6 is a bottom plan view thereof.

**1 Claim, 4 Drawing Sheets**



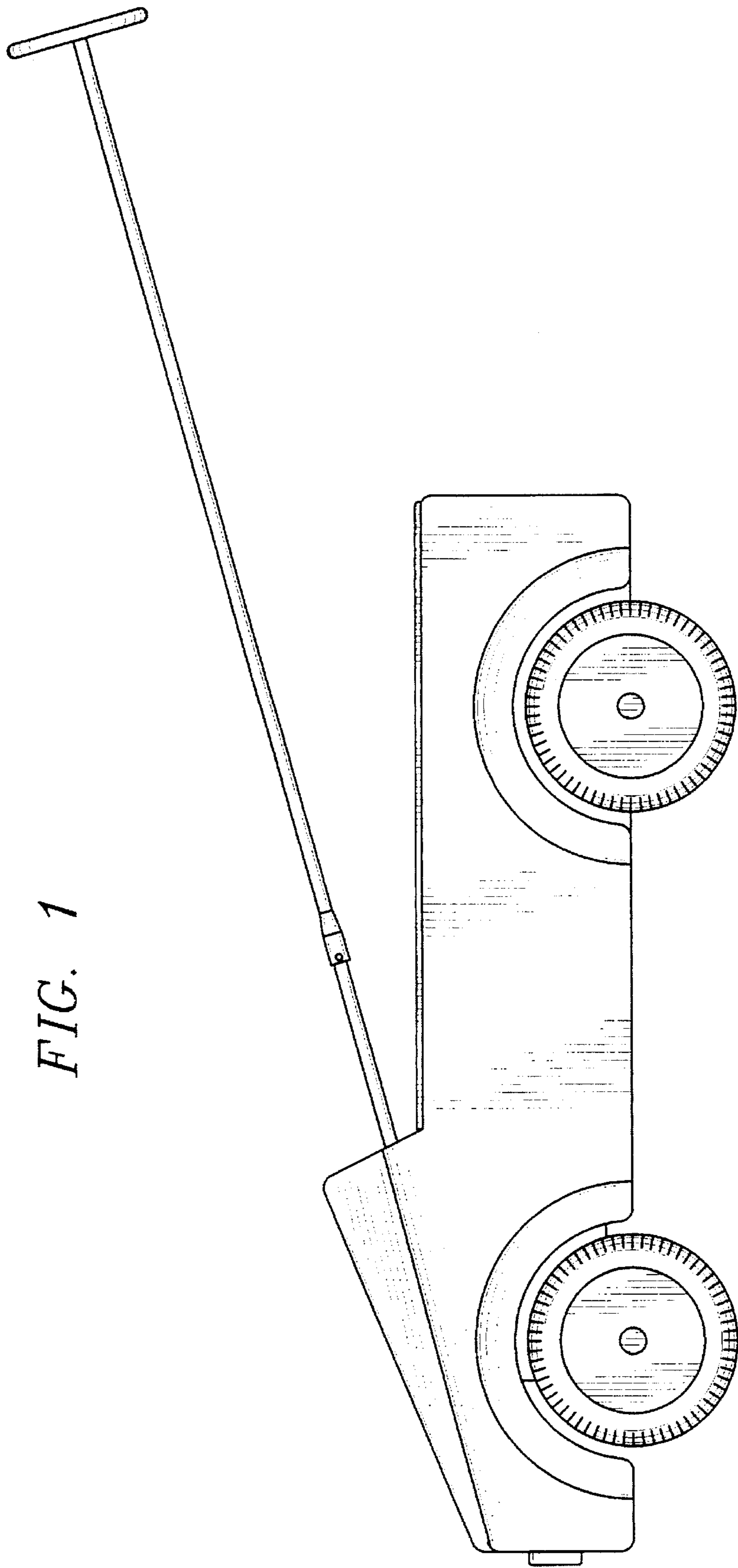


FIG. 1

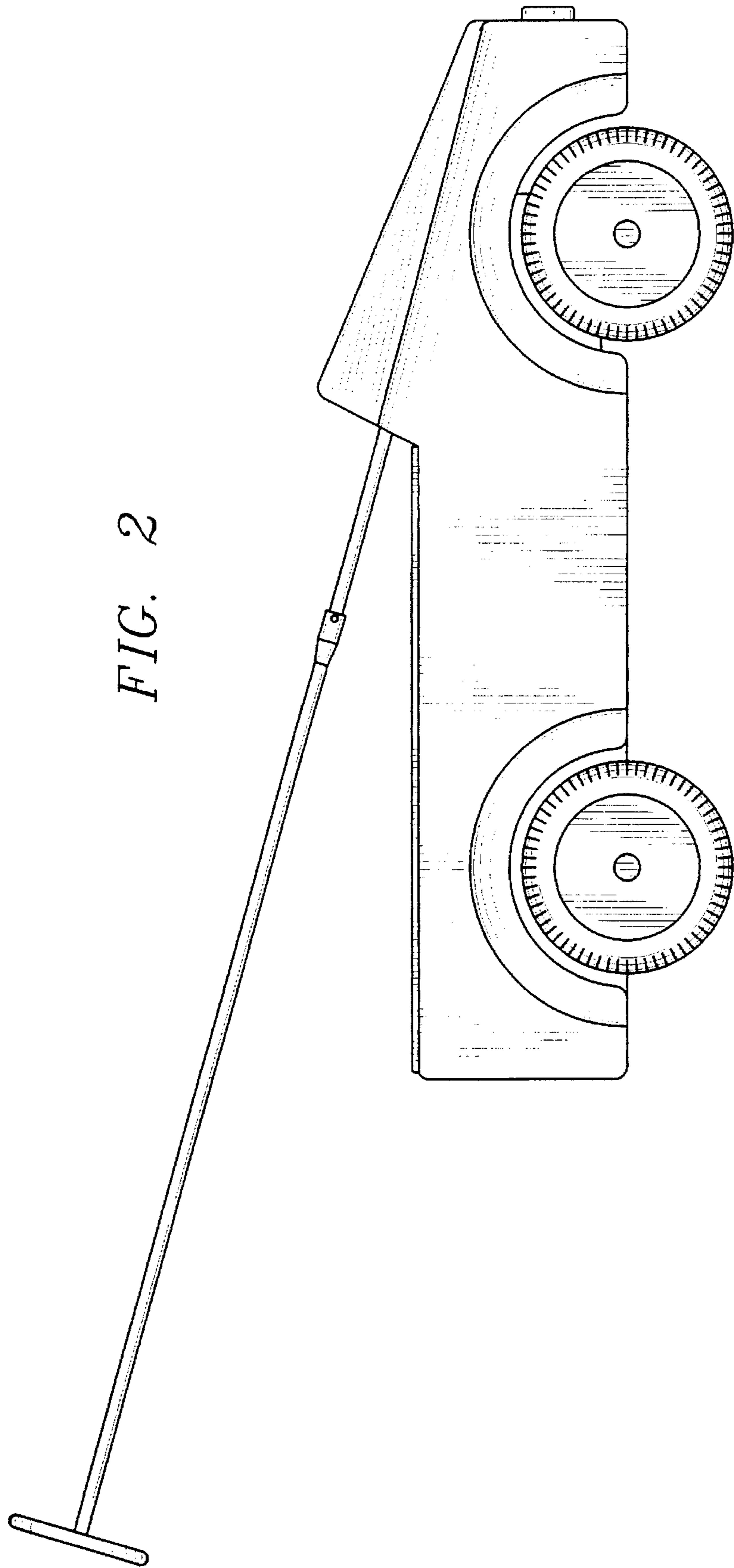


FIG. 2

FIG. 3

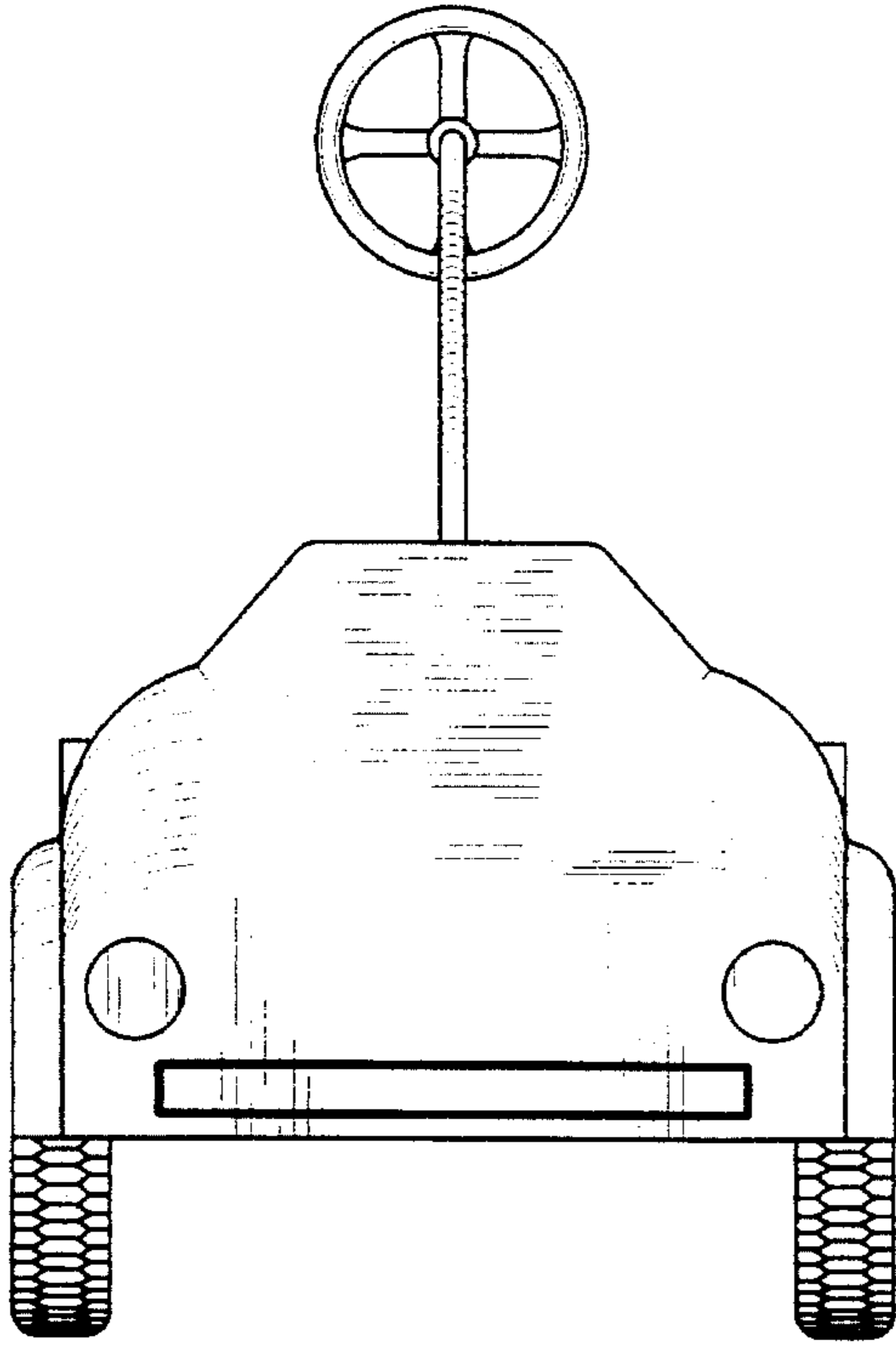


FIG. 4

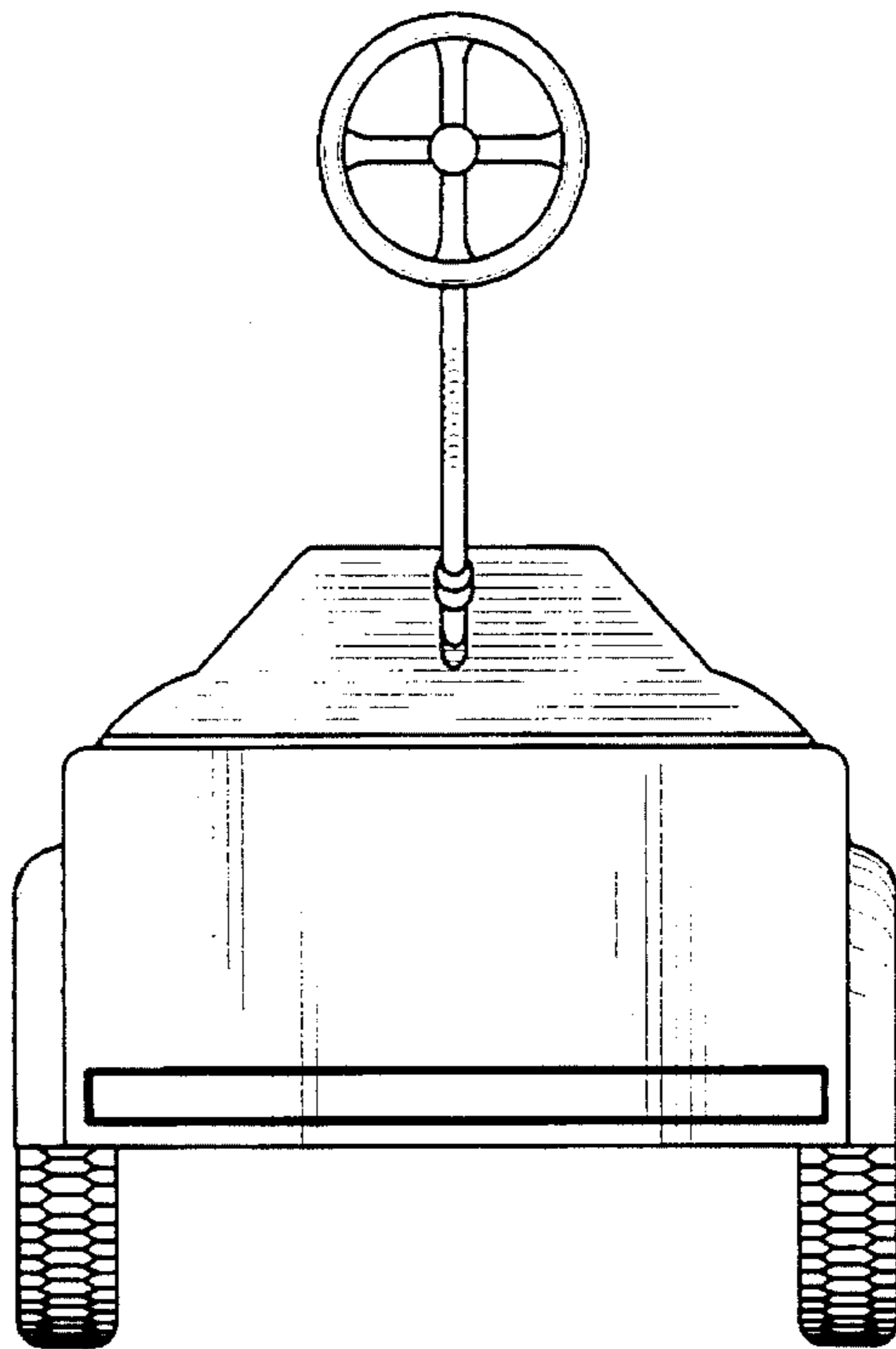


FIG. 5

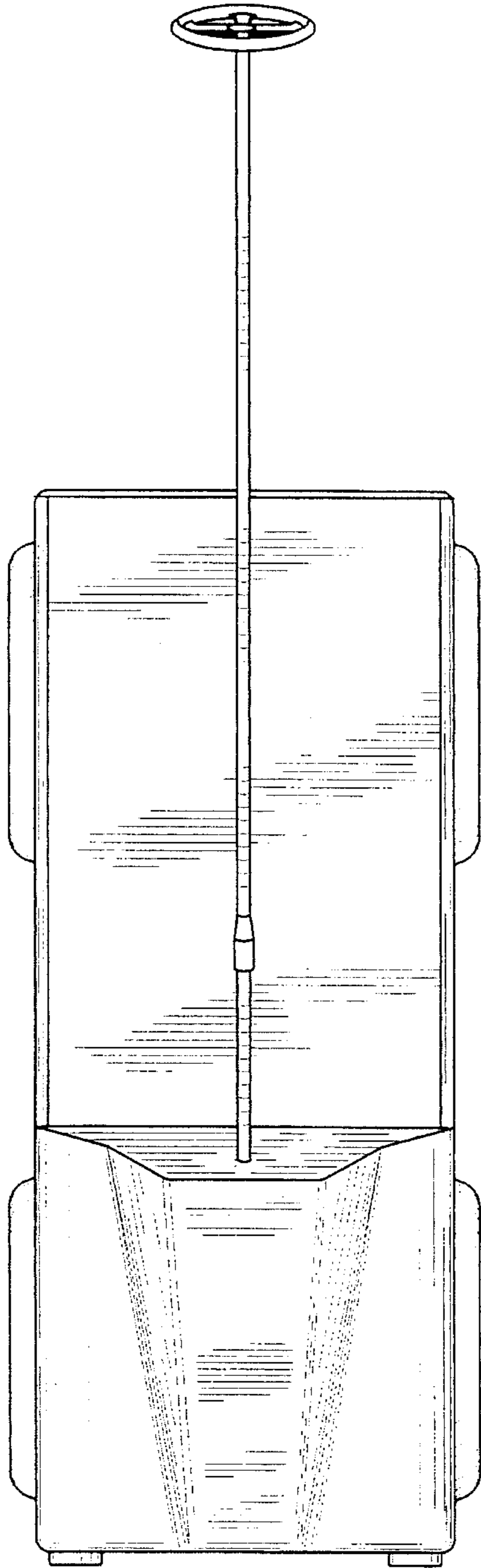


FIG. 6

