



US00D367296S

United States Patent [19]

[11] Patent Number: **Des. 367,296**

Arad et al.

[45] Date of Patent: ****Feb. 20, 1996**

[54] **CHILD'S ACTIVITY TOY**

[75] Inventors: **Abraham A. Arad**, Westport, Conn.;
Anne Pitrone, New York; **Cindy Lefkowitz**, Franklin Square, both of N.Y.

[73] Assignee: **Toy Biz, Inc.**, New York, N.Y.

[**] Term: **14 Years**

[21] Appl. No.: **34,756**

[22] Filed: **Feb. 13, 1995**

[52] U.S. Cl. **D21/59**

[58] Field of Search D21/59, 63, 64;
446/227

[56] **References Cited**

U.S. PATENT DOCUMENTS

D. 244,959 7/1977 Moustakas et al. D21/63

D. 265,664	8/1982	Orenstein	D21/59
D. 275,502	9/1984	Nakao et al.	D21/64 X
D. 282,183	1/1986	Shiraishi	D21/59
D. 284,293	6/1986	Thomson et al.	D21/59
D. 302,187	7/1989	Kato	D21/59
4,973,286	11/1990	Davison	446/227 X

Primary Examiner—Dominic Simone
Attorney, Agent, or Firm—Robert F. Zielinski

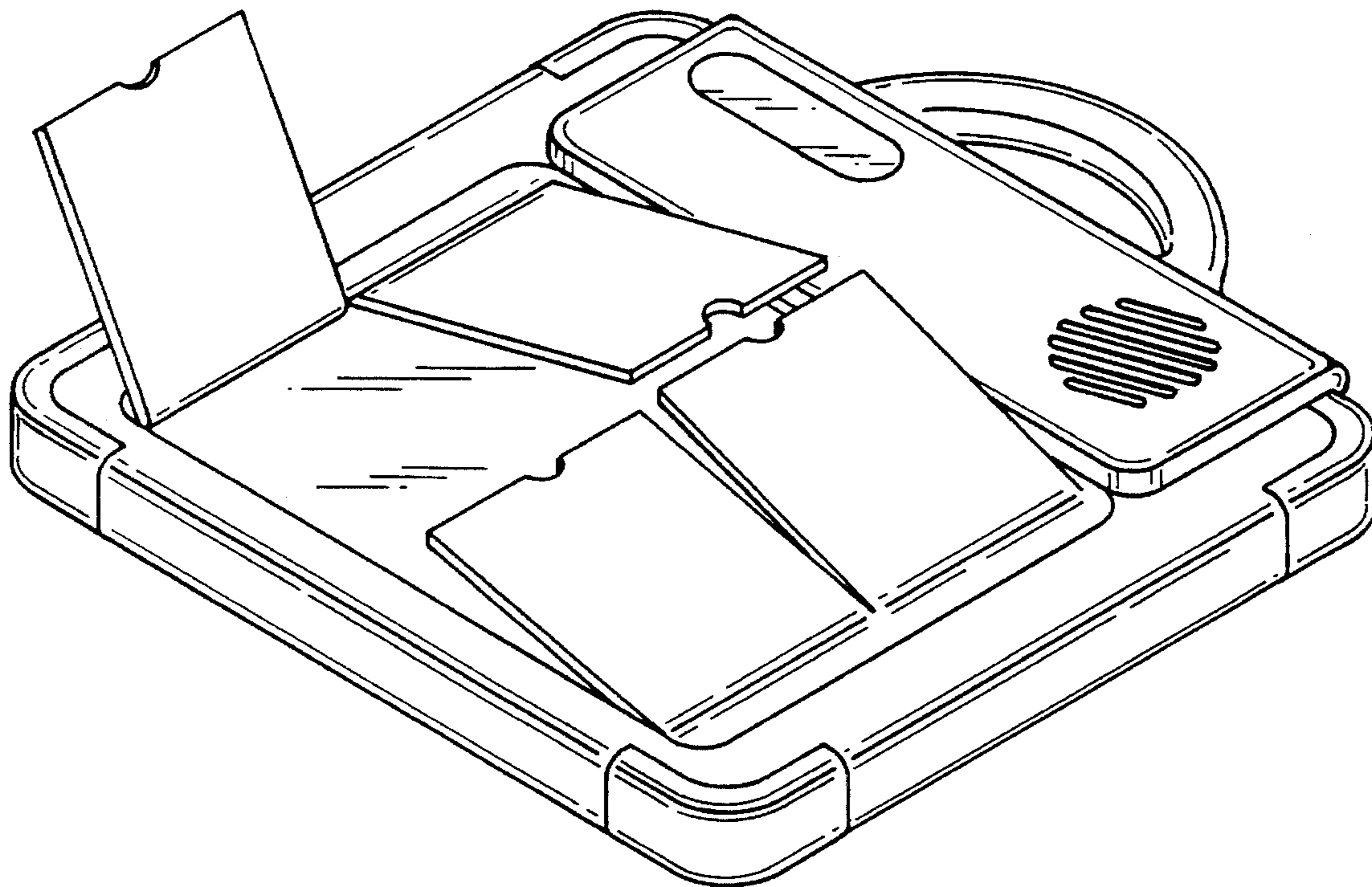
[57] **CLAIM**

The ornamental design for a child's activity toy, as shown and described.

DESCRIPTION

FIG. 1 is a perspective view of the child's activity toy showing our new design;
FIG. 2 is a top plan view thereof;
FIG. 3 is a front elevation view thereof; and,
FIG. 4 is a right side view thereof.

1 Claim, 1 Drawing Sheet



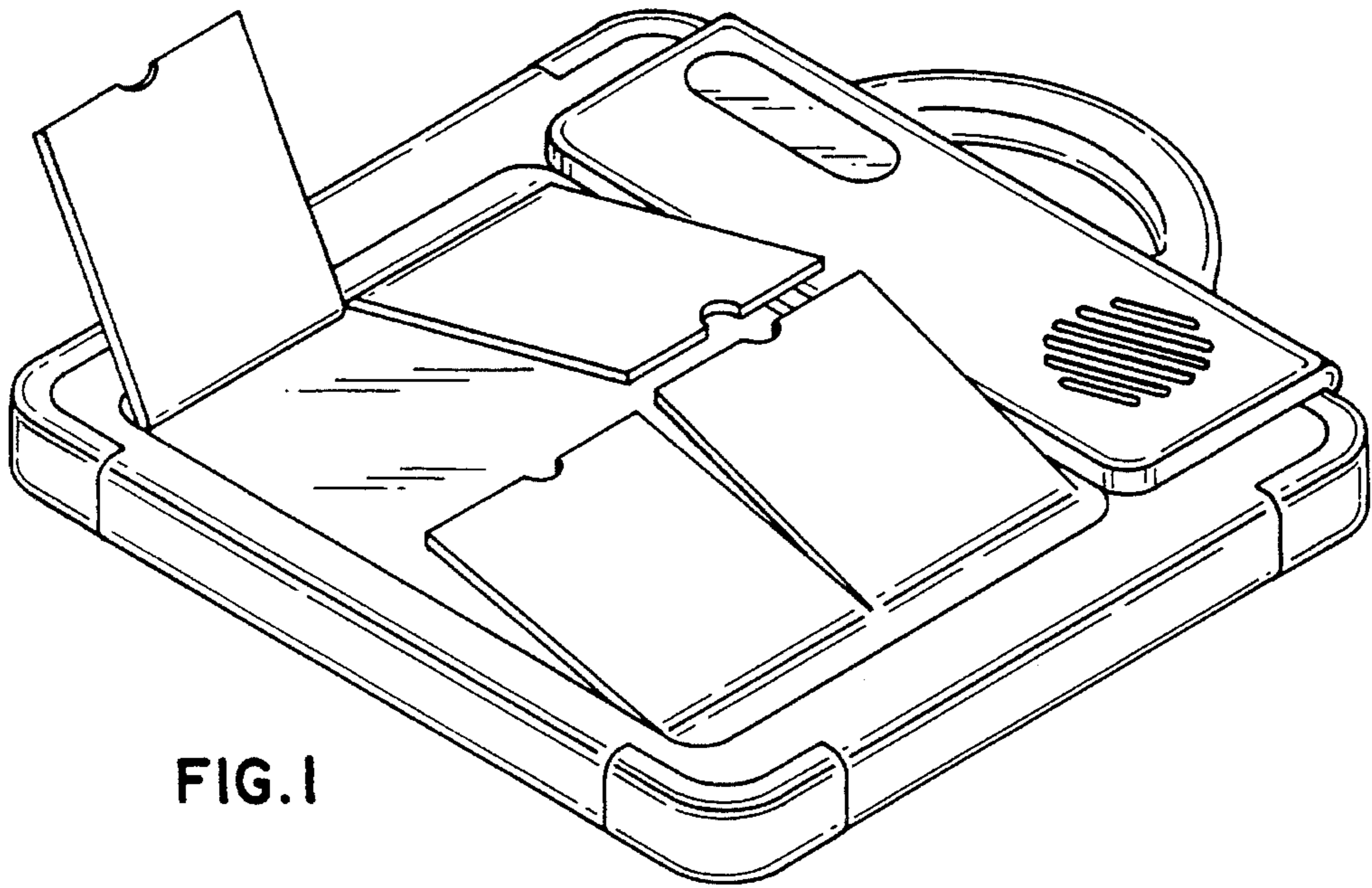


FIG. 1

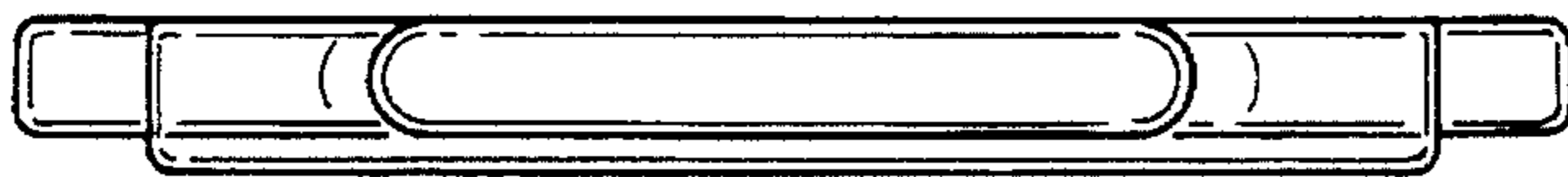


FIG. 2

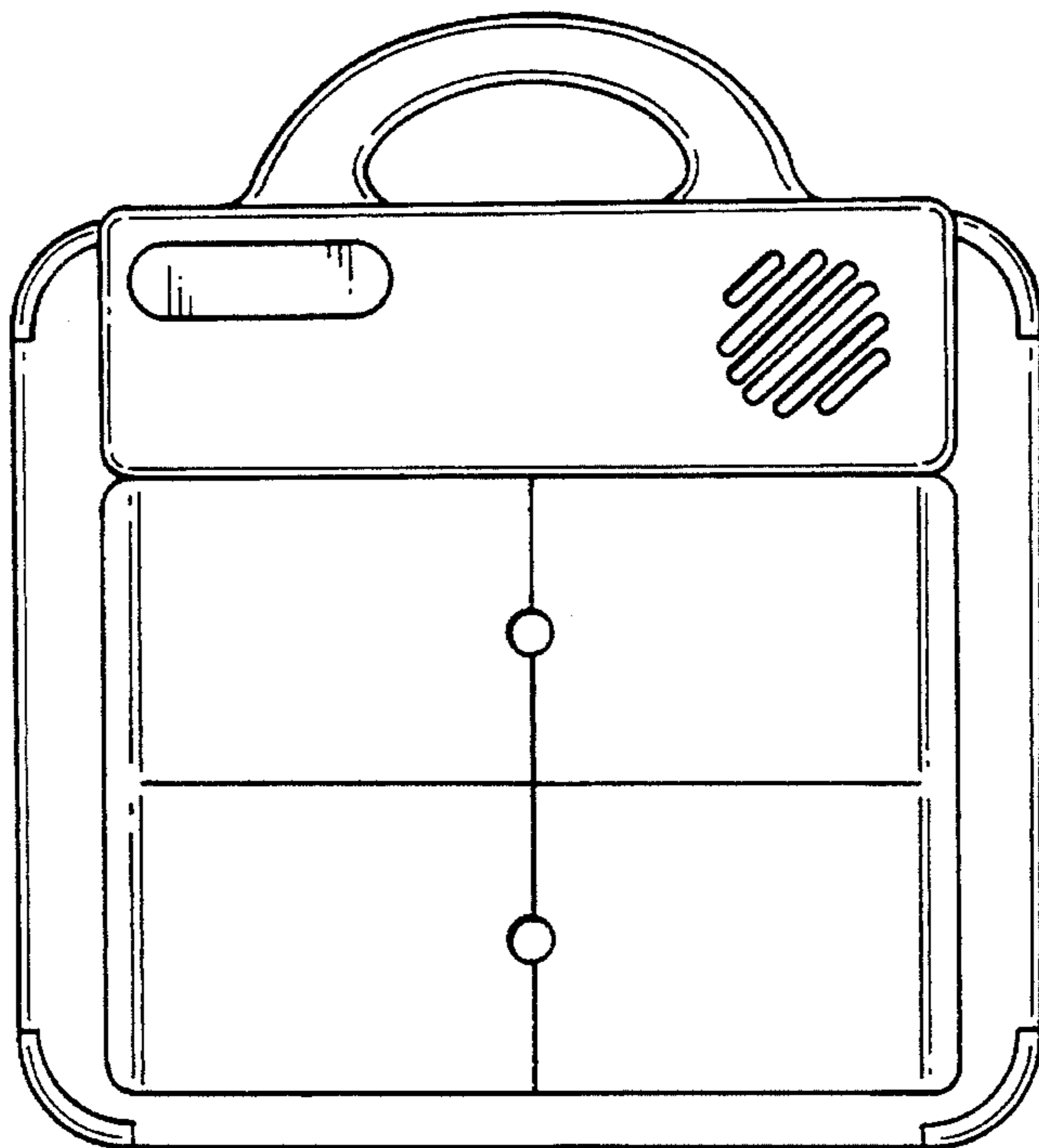


FIG. 3



FIG. 4