



US00D367294S

United States Patent [19]

Shoemaker, Jr. et al.

[11] Patent Number: **Des. 367,294**

[45] Date of Patent: ****Feb. 20, 1996**

[54] **ROTARY PUSH ARCADE GAME**

[75] Inventors: **Stephen P. Shoemaker, Jr.**, Redondo Beach, Calif.; **Matthew F. Kelly**, San Ramon; **Bryan M. Kelly**, Dublin, all of Calif.

[73] Assignee: **Stephen R. Shoemaker, Jr.**, Redondo Beach, Calif.

[**] Term: **14 Years**

[21] Appl. No.: **30,033**

[22] Filed: **Oct. 21, 1994**

[52] U.S. Cl. **D21/10**

[58] Field of Search D21/48, 7, 8, 1, D21/10, 11, 150; 273/138 A, 85 G, 440, 447, 448, 85 R, 316, 454, 85 C, 85 D, 85 E

[56] **References Cited**

U.S. PATENT DOCUMENTS

D. 247,859	5/1978	Sato	D21/10
D. 260,820	9/1981	Kato	D21/10
2,057,880	10/1936	Collison et al. .	
2,302,821	11/1942	Walton .	
3,754,759	8/1973	Breslow et al. .	
3,929,336	12/1975	Breslow .	

4,133,525	1/1979	Balles et al. .	
4,234,181	11/1980	Breslow et al.	273/440
4,334,680	6/1982	Liversidge	273/440
4,662,636	5/1987	Crompton	273/138 A
4,714,249	12/1987	Barlow .	
4,726,585	2/1988	Shoemaker, Jr. .	
4,854,589	8/1989	Davis	273/85 R X
4,989,873	2/1991	Manabe	273/138 A X
5,275,402	1/1994	Malavazos et al. .	

Primary Examiner—Prabhakar G. Deshmukh
Attorney, Agent, or Firm—Hickman & Beyer

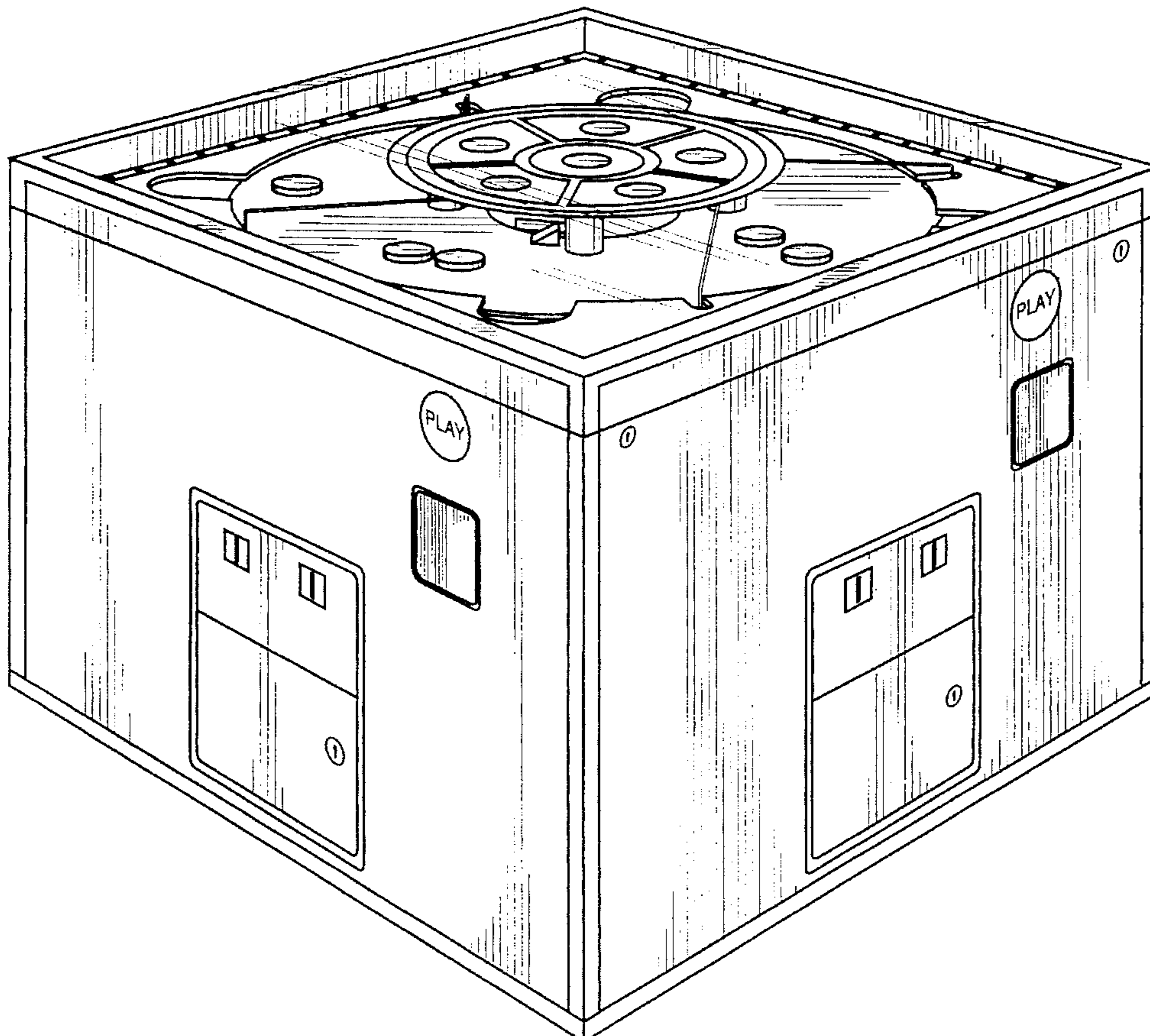
[57] **CLAIM**

The ornamental design for rotary push arcade game, as shown and described.

DESCRIPTION

FIG. 1 is a perspective view of a rotary push arcade game showing our new design;
 FIG. 2 is a top plan view thereof;
 FIG. 3 is a front elevational view thereof, taken along line 3—3 of FIG. 2;
 FIG. 4 is a rear elevational view thereof, the left and right side elevational views being the same;
 FIG. 5 is a bottom plan view thereof; and,
 FIG. 6 is a top plan view taken along line 6—6 of FIG. 4.

1 Claim, 4 Drawing Sheets



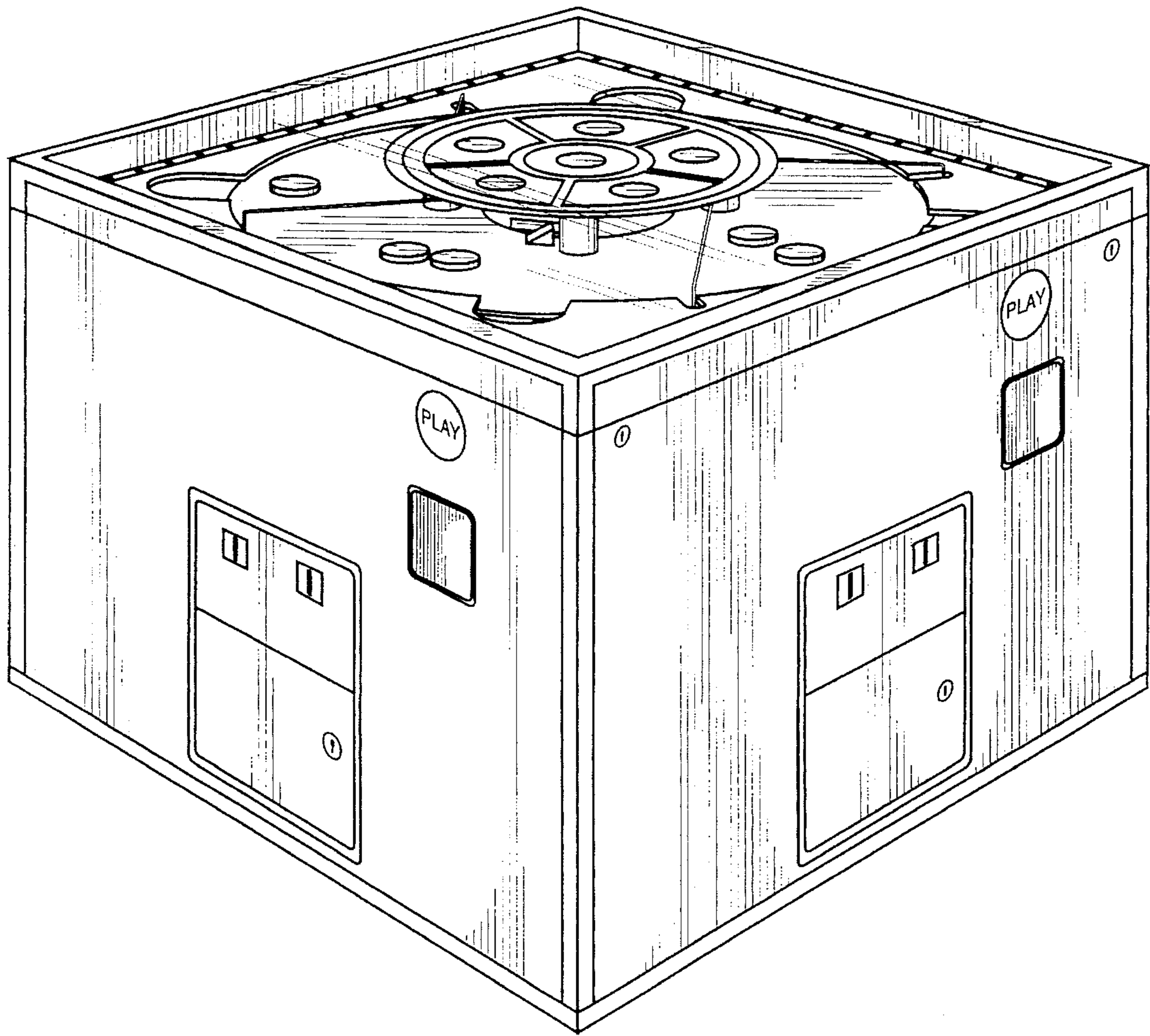


Fig. 1

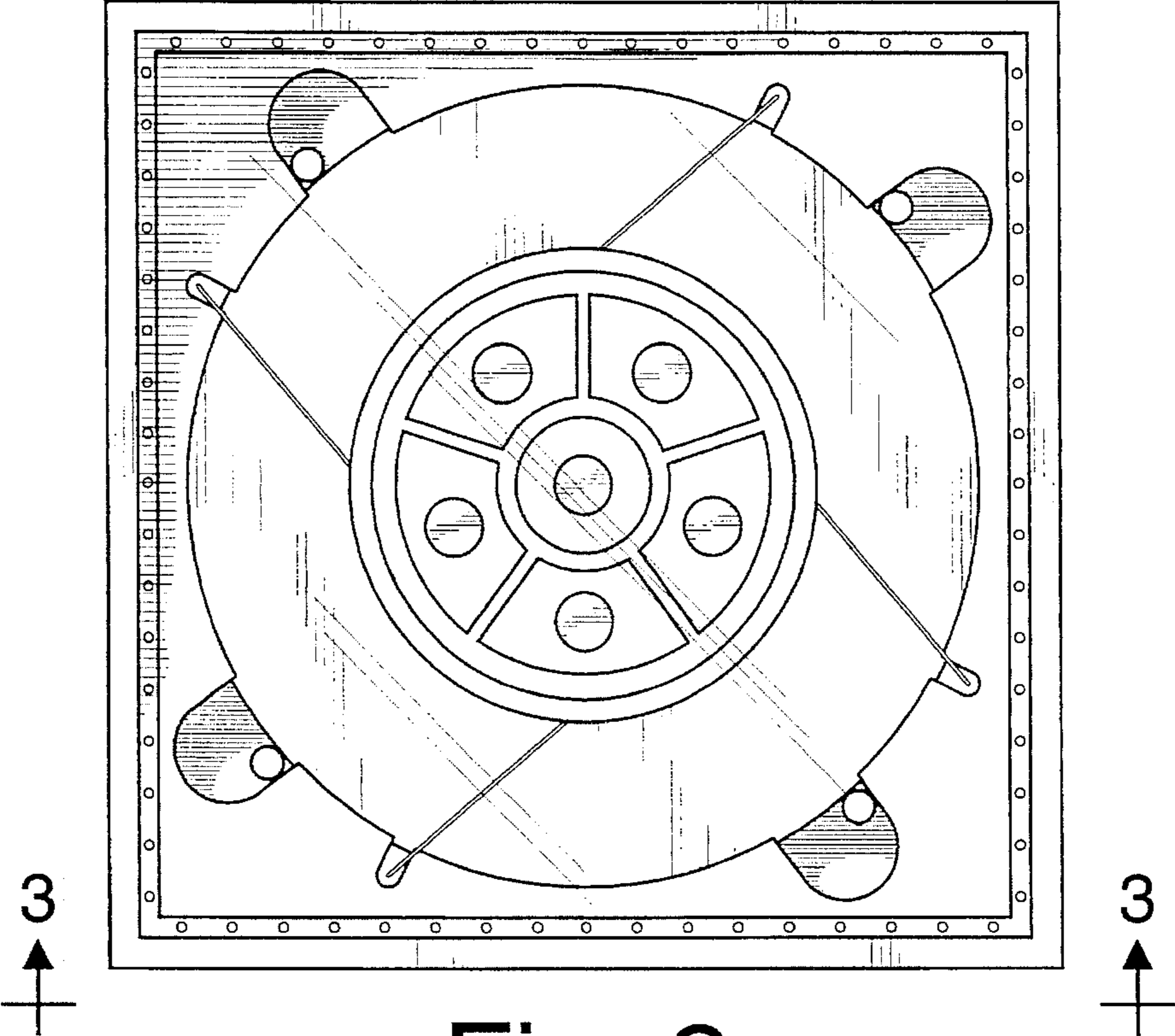


Fig. 2

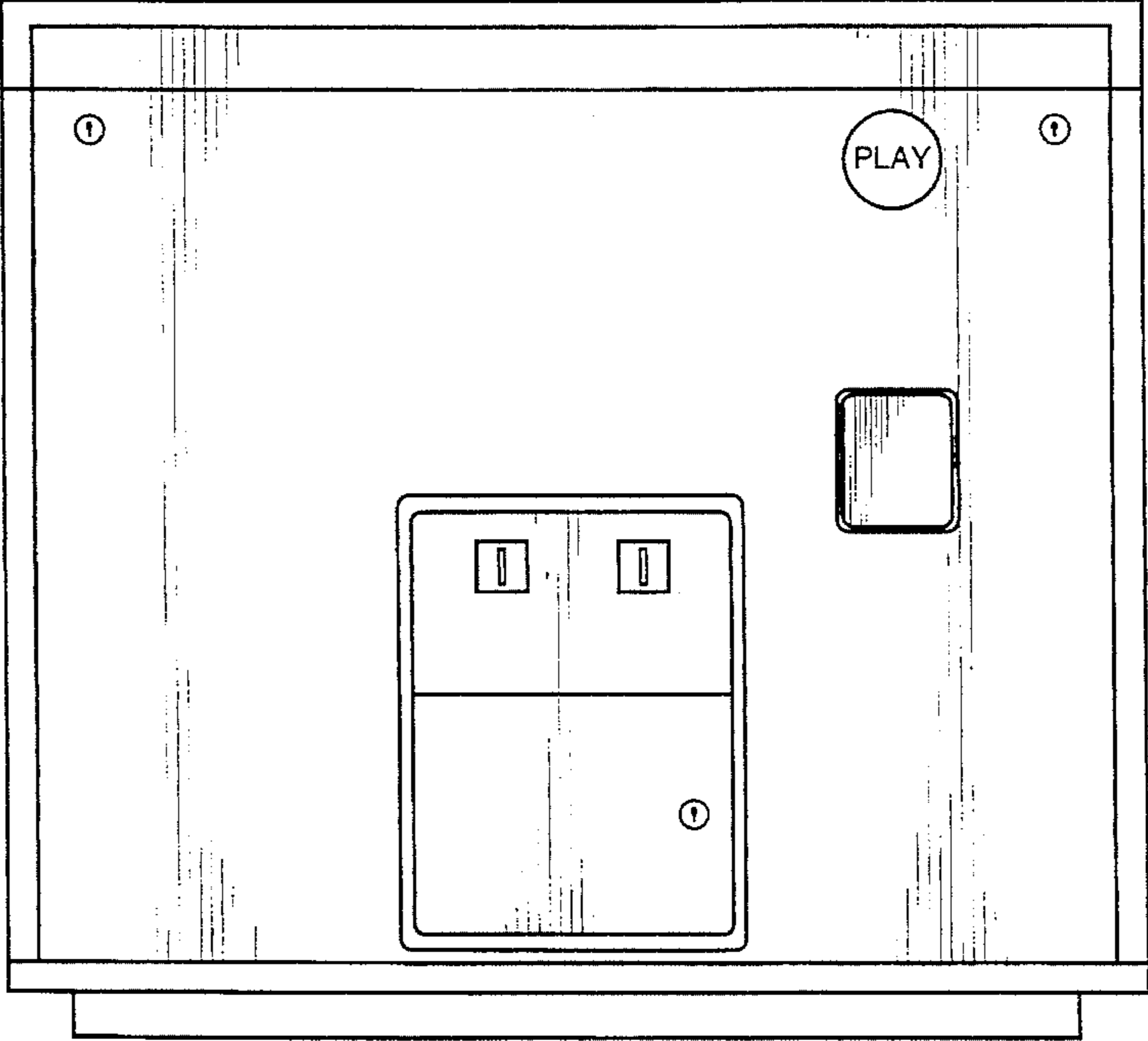


Fig. 3

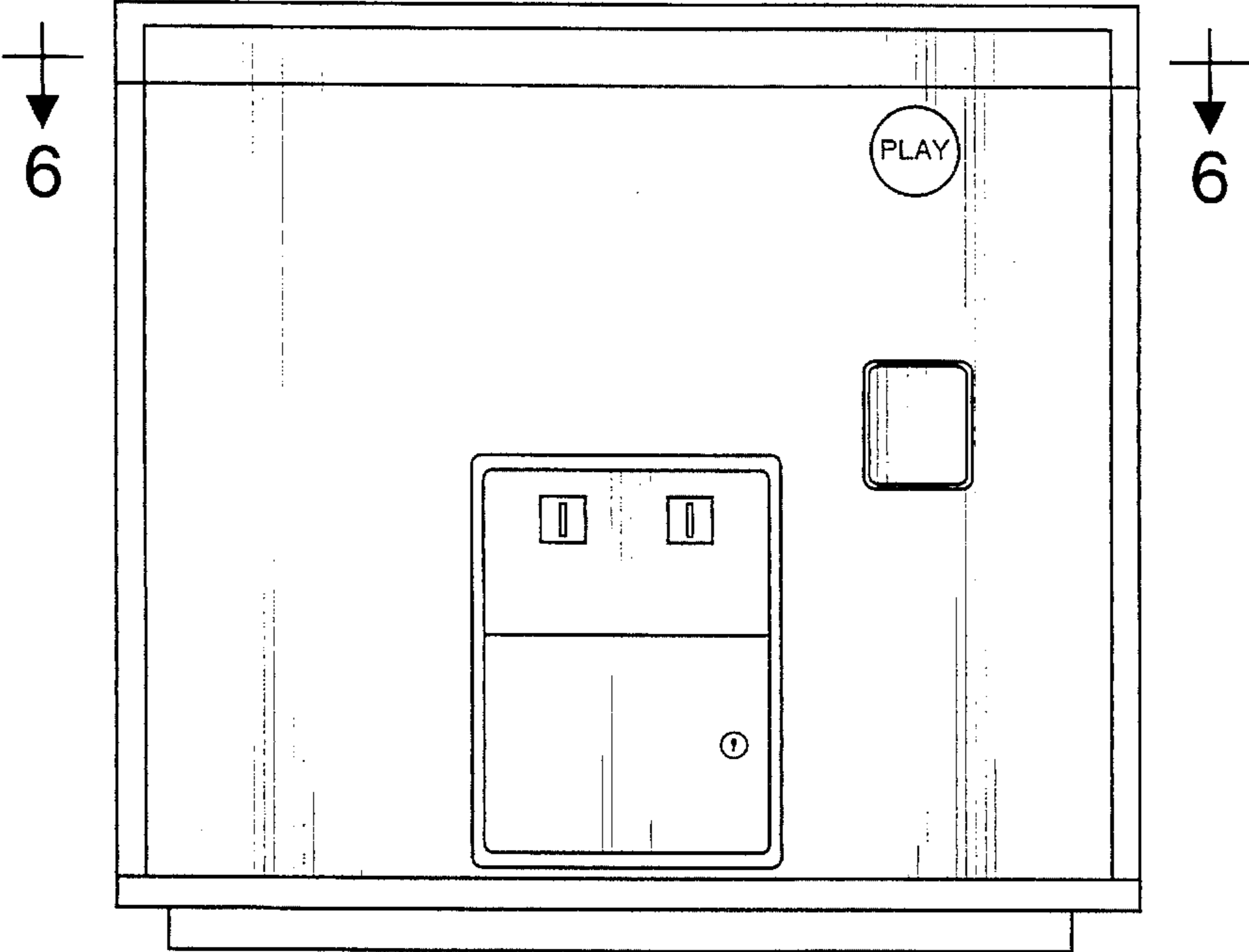


Fig. 4

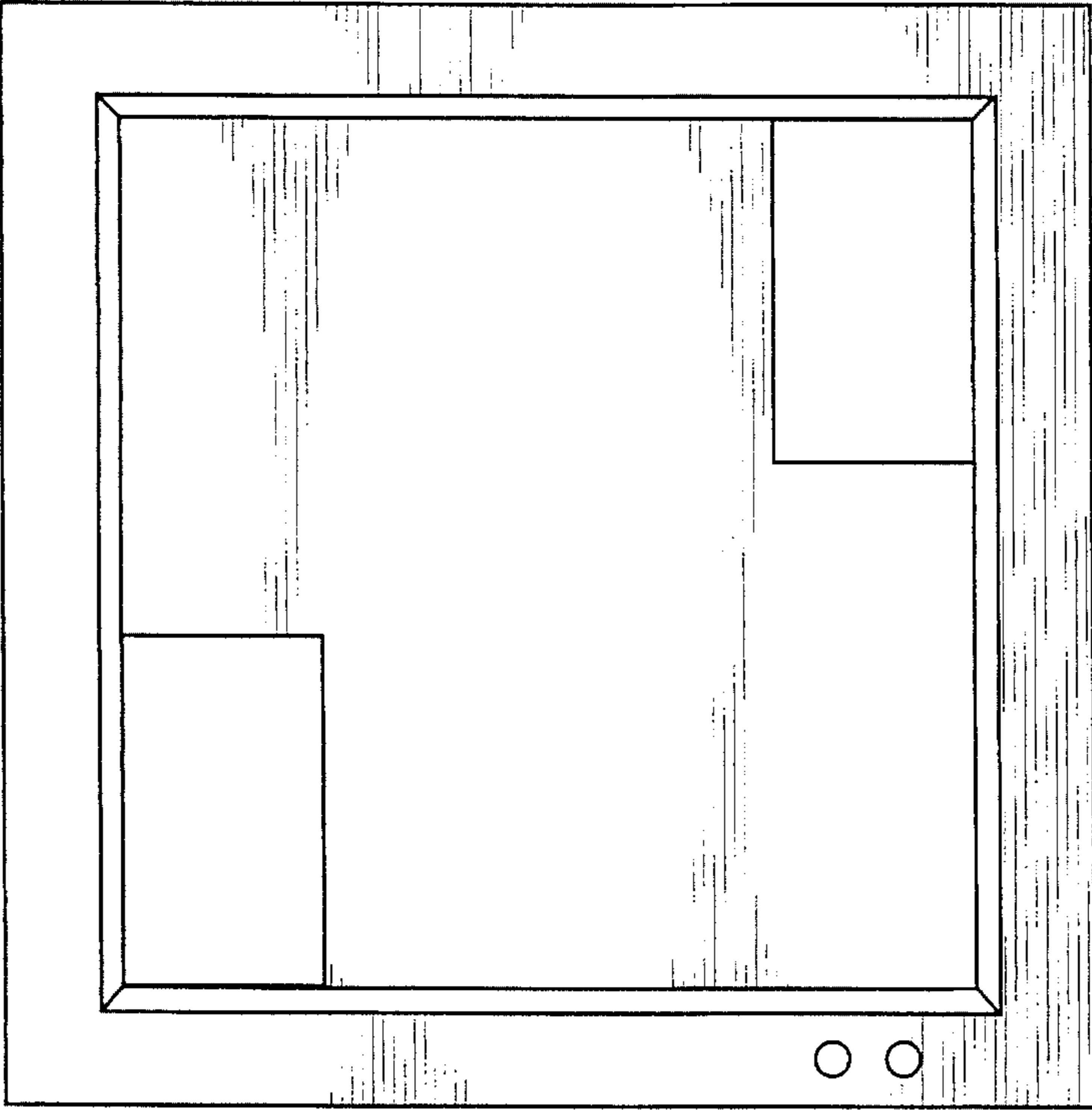


Fig. 5

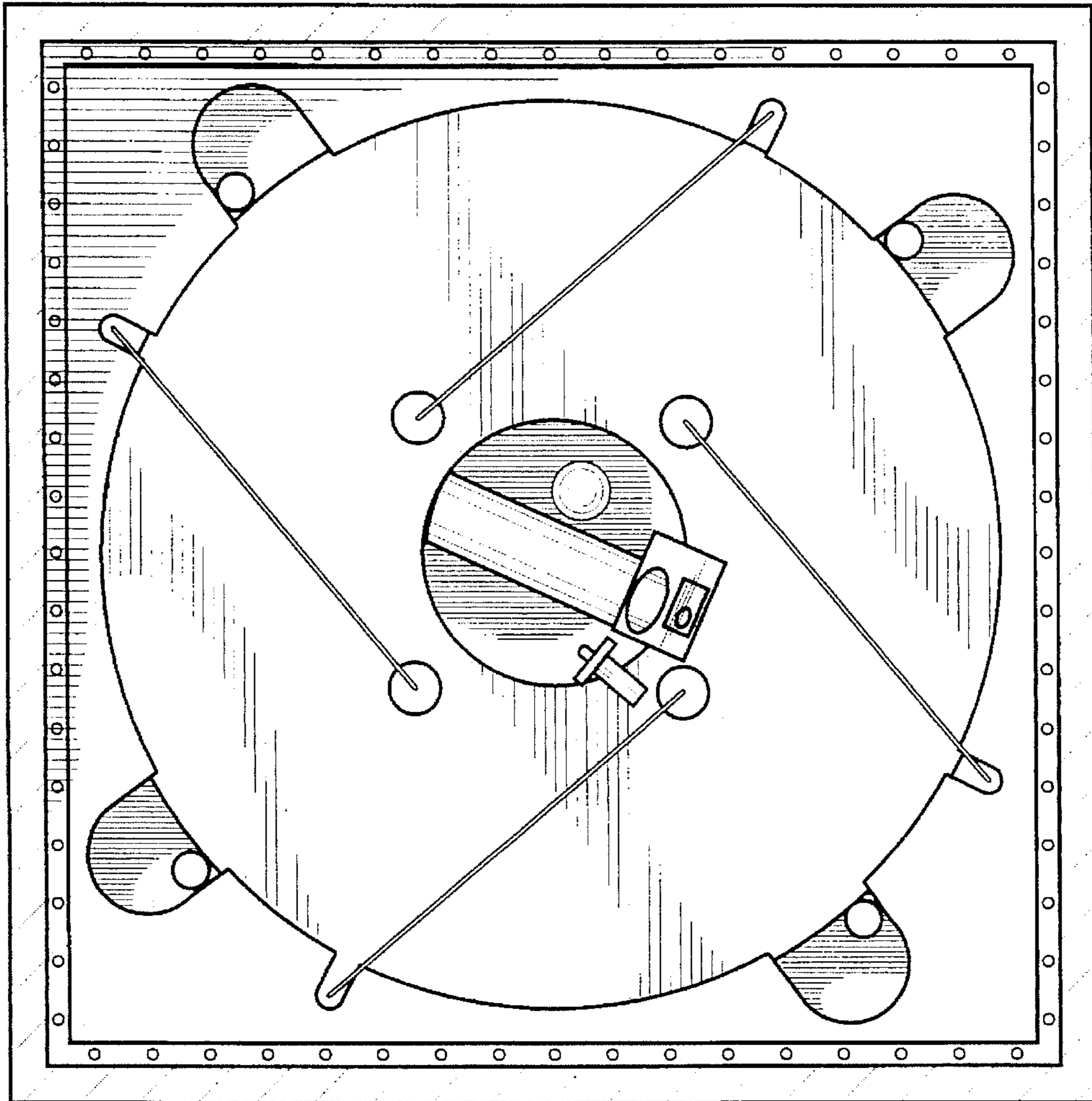


Fig. 6