



US00D367292S

United States Patent [19]

[11] Patent Number: **Des. 367,292**

Franks et al.

[45] Date of Patent: ****Feb. 20, 1996**

[54] HAND STAMP HANDLE

OTHER PUBLICATIONS

[75] Inventors: **Anthony D. Franks**, New York, N.Y.;
David A. Reid, Greenwich, Conn.

Undated advertisement of M&R Marking Systems, Inc. illustrating Royal Mark pre-inked stamp having asymmetrical handle—publication date unknown.

[73] Assignee: **M&R Marking Systems, Inc.**,
Piscataway, N.J.

Primary Examiner—Martie Thompson
Attorney, Agent, or Firm—Lerner, David, Littenberg, Krumholz & Mentlik

[**] Term: **14 Years**

[21] Appl. No.: **31,360**

[57] CLAIM

[22] Filed: **Nov. 23, 1994**

The ornamental design for a hand stamp handle, as shown and described.

[52] U.S. Cl. **D18/18**; D18/15

[58] Field of Search D18/14, 15, 16,
D18/18, 19; D19/65; 101/103, 104, 105,
111, 327, 368, 171-373, 379, 405, 406,
333-335

DESCRIPTION

[56] References Cited

U.S. PATENT DOCUMENTS

D. 169,167	3/1953	O'Hal	D18/18
D. 232,484	8/1974	Michels	D18/17
D. 346,396	4/1994	Sculler	D18/18
D. 352,521	11/1994	Sculler et al. .	
557,413	3/1896	Milhado	101/371
1,089,198	3/1914	Fisher	101/406
3,431,840	3/1969	Munson	101/406

FIG. 1 is a perspective view of a hand stamp handle showing our new design;

FIG. 2 is a front view thereof;

FIG. 3 is a rear view thereof;

FIG. 4 is a left side view thereof (the right side view is a mirror image of the left side view);

FIG. 5 is a top plan view thereof; and,

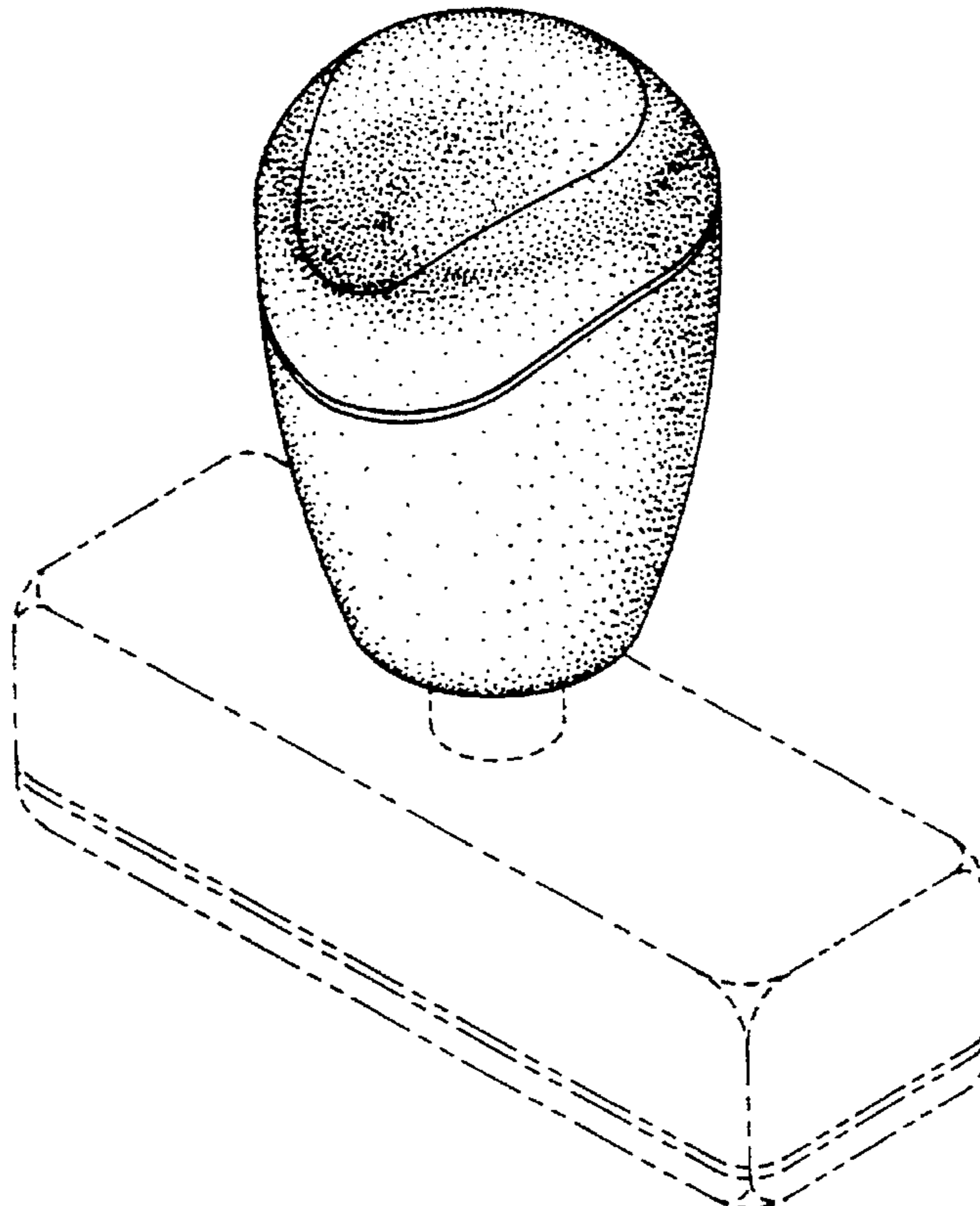
FIG. 6 is a bottom plan view thereof.

The hand stamp depicted by means of broken lines in the figures has been shown for illustrative purposes only and forms no part of the claimed design.

FOREIGN PATENT DOCUMENTS

1240090	4/1902	France	101/405
---------	--------	--------------	---------

1 Claim, 2 Drawing Sheets



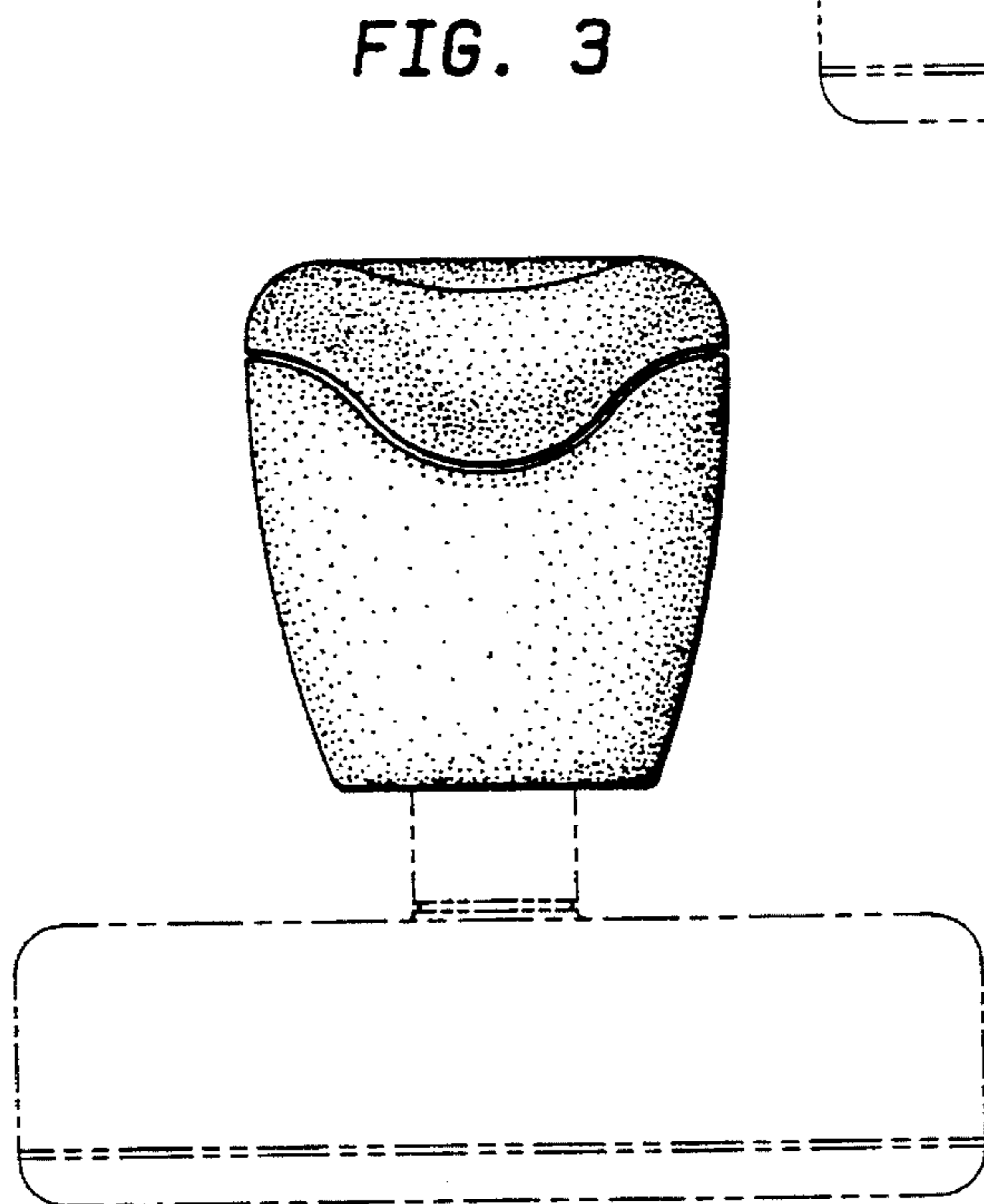
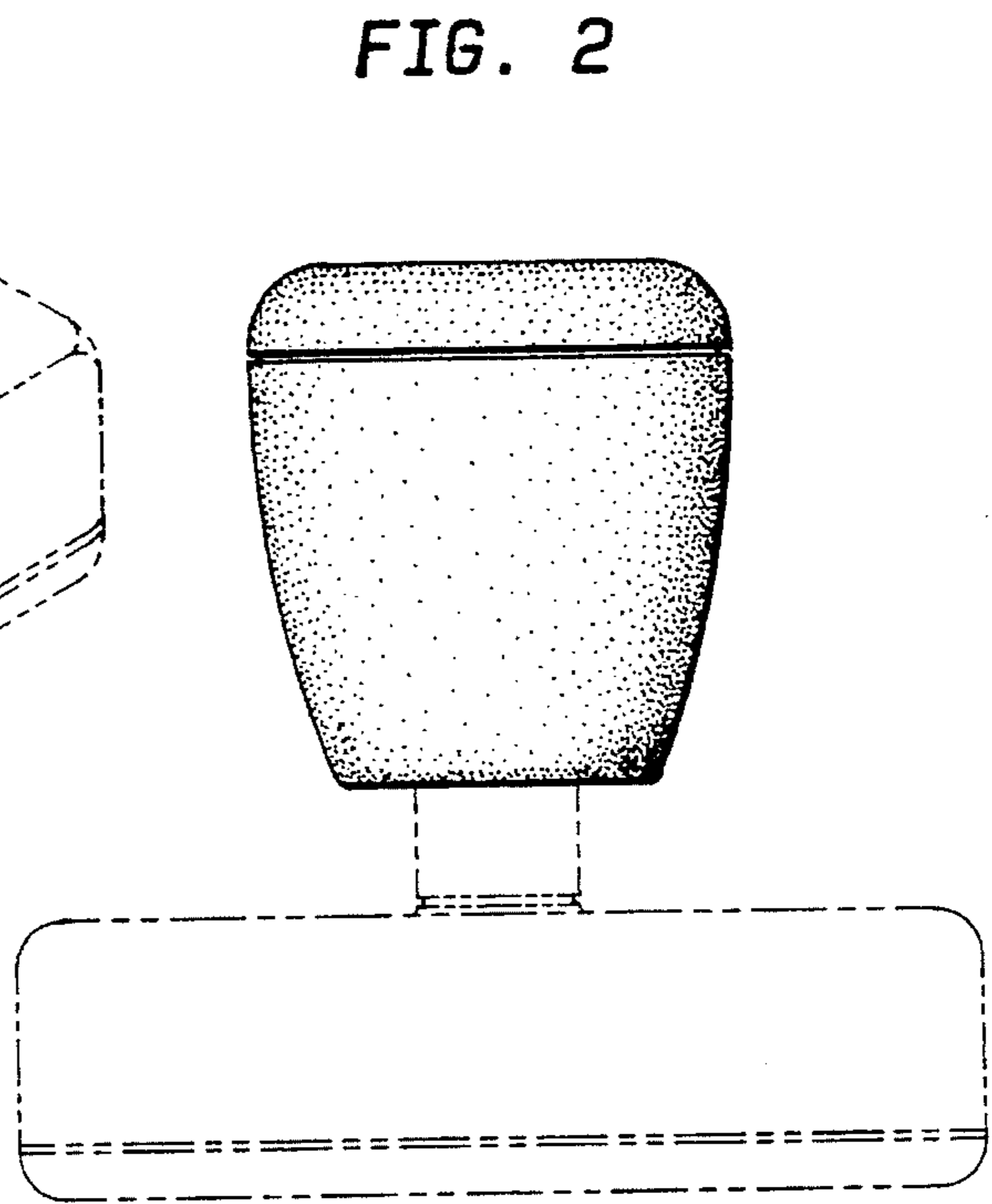
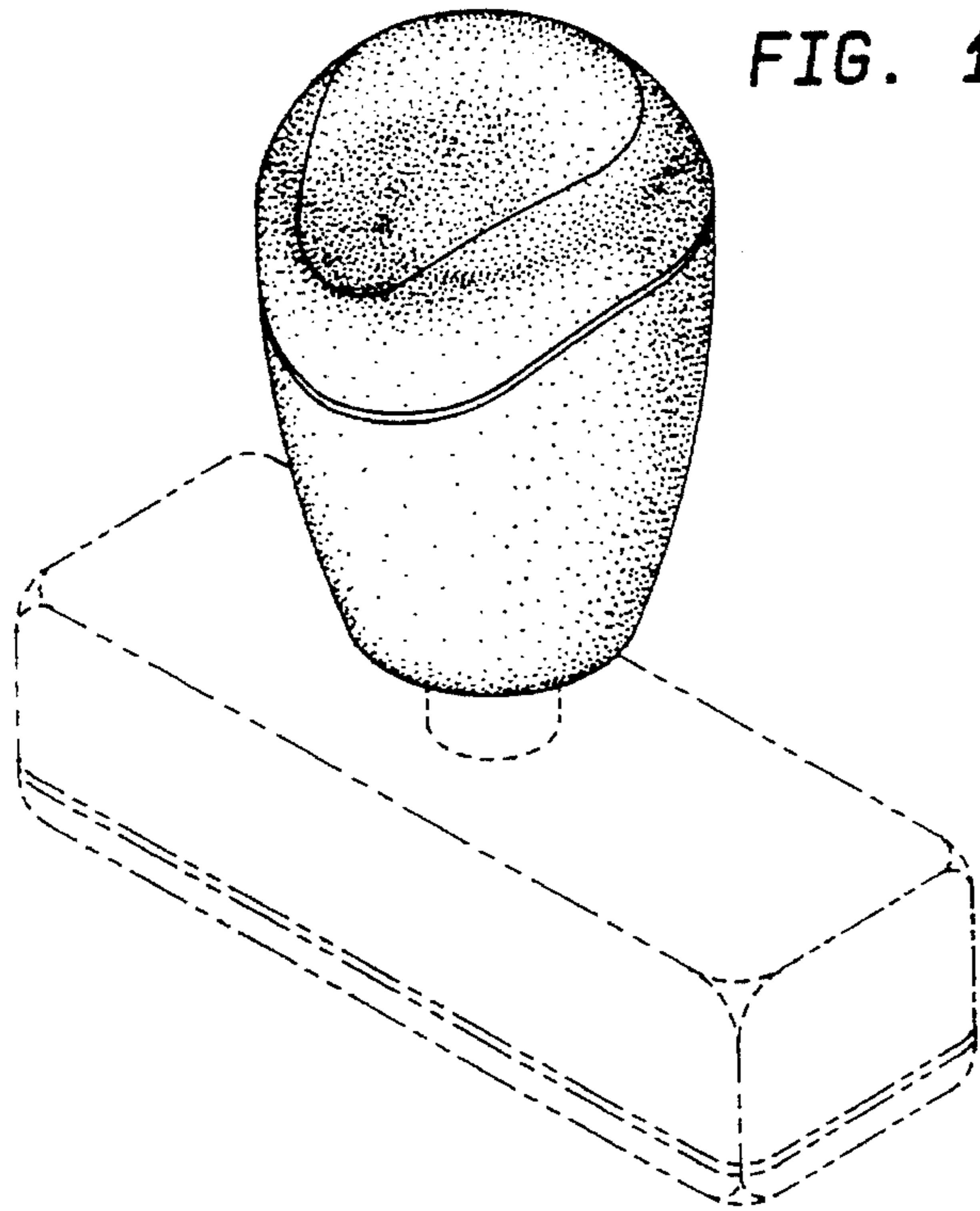


FIG. 4

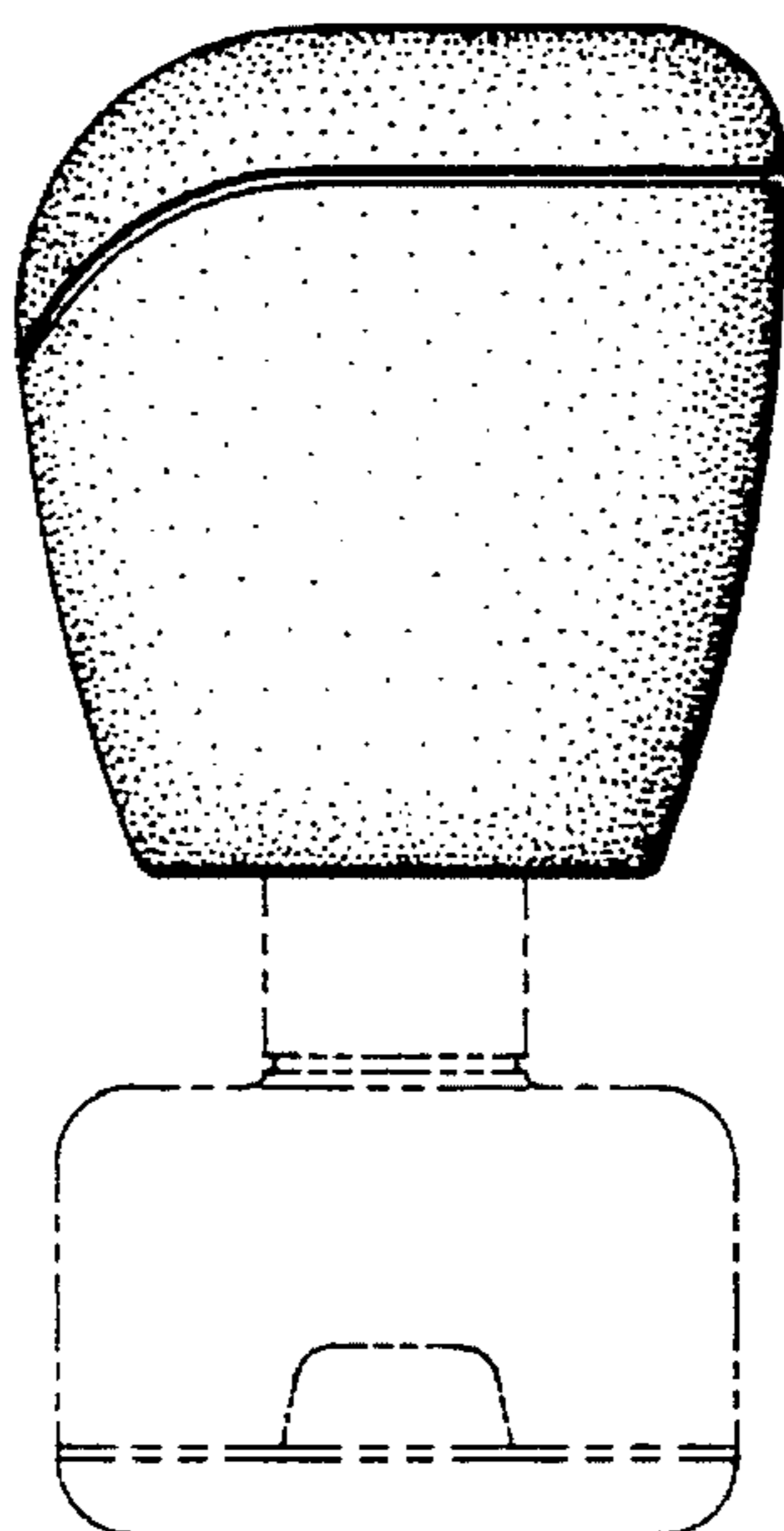


FIG. 5

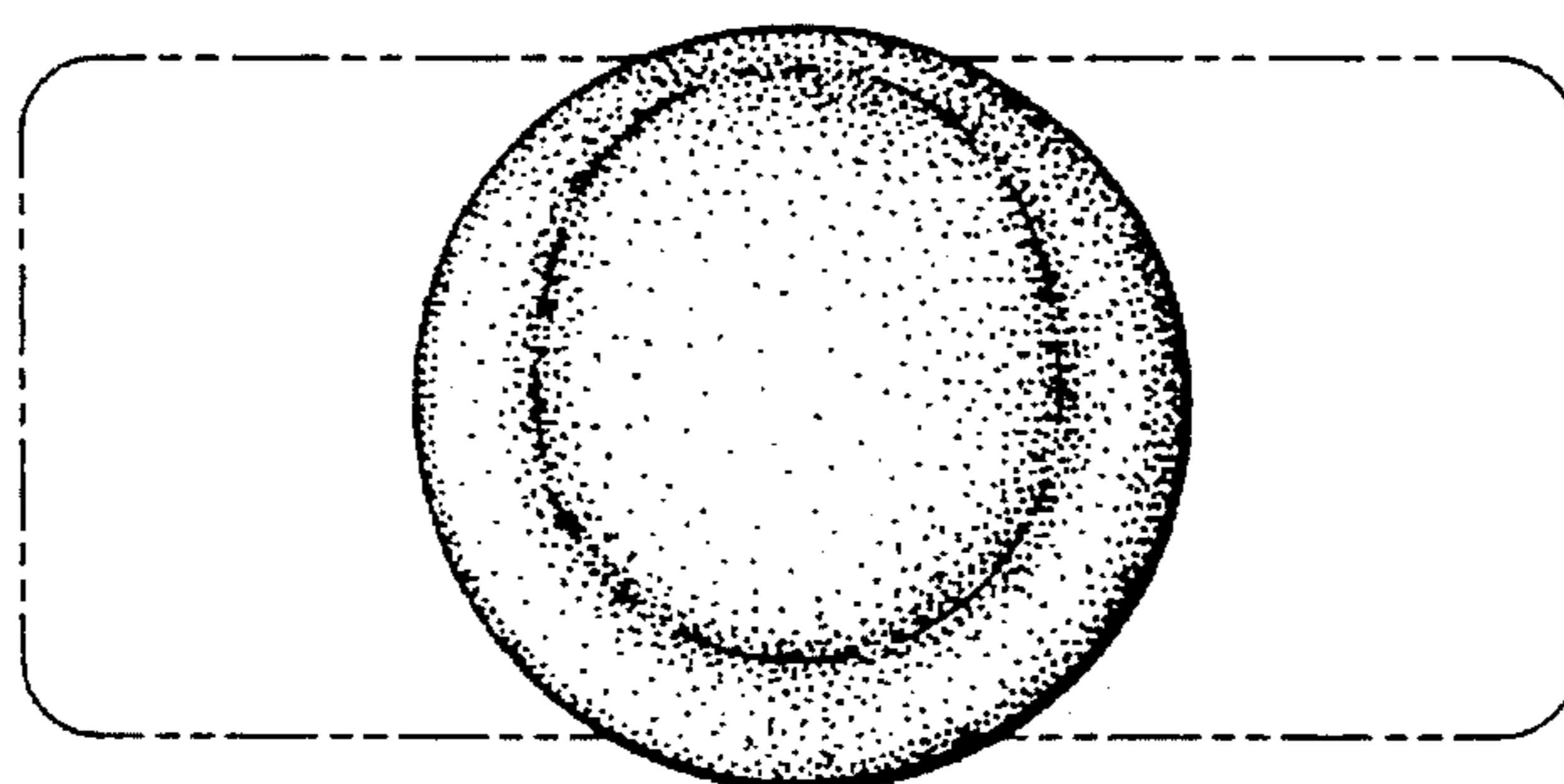


FIG. 6

