



US00D367291S

**United States Patent** [19]  
**Winston**

[11] **Patent Number: Des. 367,291**  
[45] **Date of Patent: \*\*Feb. 20, 1996**

[54] **MOUNTING ASSEMBLY FOR MULTIPLE INK PADS**  
[76] Inventor: **Jeffrey M. Winston**, 658 W. Shore Dr., Anacortes, Wash. 98221  
[\*\*] Term: **14 Years**

2,819,668 1/1958 McAneny .  
3,096,713 7/1963 McLaughlin, Jr. .  
3,158,096 11/1964 Arnold .  
3,259,063 7/1966 Rothman .  
3,282,209 11/1966 Muskin .  
3,403,623 10/1968 Blackwood .  
3,465,673 9/1969 Oppenheim .

(List continued on next page.)

[21] Appl. No.: **23,925**  
[22] Filed: **Jun. 3, 1994**  
[52] U.S. Cl. .... **D18/17; D19/70; D28/77; D9/341**  
[58] **Field of Search** ..... D18/14, 15, 17, D18/18; D19/65, 70; 101/327, 368, 405, 406, 333, 334, 335; 118/248, 258, 264, 268, 269, 270

**FOREIGN PATENT DOCUMENTS**

1279095 11/1961 France .  
2063565 7/1971 France .  
2307659 11/1976 France .  
8119720 10/1981 France .  
231631 11/1909 Germany .  
551947 5/1932 Germany .  
551219 5/1932 Germany .  
1259732 1/1968 Germany .  
2115088 12/1972 Germany .  
2455533 5/1975 Germany .  
2606642 8/1977 Germany .  
451645 9/1949 Italy .  
151703 3/1932 Switzerland .  
587087 4/1947 United Kingdom .  
1560872 2/1980 United Kingdom .  
2045687A 11/1980 United Kingdom .

[56] **References Cited**

**U.S. PATENT DOCUMENTS**

D. 28,727 5/1898 Foster ..... D9/423  
D. 125,596 3/1941 Spitalny ..... D28/78  
D. 163,496 5/1951 Van Prooyen, Jr. .... D18/17  
200,389 2/1878 Grinnan .  
209,763 11/1878 Keeler .  
D. 219,075 10/1970 Majewski ..... D18/17  
D. 223,056 3/1972 Majewski ..... D18/17  
321,223 6/1885 Keeler .  
D. 329,924 9/1992 Lombardi, Jr. .... D28/77  
D. 331,418 12/1992 Winston .  
427,229 5/1890 French .  
602,061 4/1898 Echelberger .  
642,367 1/1900 Phillips et al. .  
657,961 9/1900 Roberts .  
749,034 1/1904 Daut .  
829,230 8/1906 Pope .  
984,632 2/1911 Winterbottom et al. .  
1,070,763 8/1913 Bauman et al. .  
1,073,036 9/1913 Fuchs .  
1,127,806 2/1915 Pells et al. .  
1,291,057 1/1919 Marks .  
1,512,085 10/1924 Clary .  
1,576,791 3/1926 Rosner .  
1,656,489 1/1928 Low .  
1,909,326 5/1933 Wheeler, Jr. .  
2,207,520 7/1940 Rhody ..... D9/341 X  
2,468,153 4/1949 Wolters ..... D28/78 X  
2,576,622 11/1951 McBride et al. .

**OTHER PUBLICATIONS**

Stamp Products Resource Book 1994-1995, Clearsnap, Inc., Anacortes, WA. pp. 44, 48, 50.

*Primary Examiner*—Martie Thompson  
*Attorney, Agent, or Firm*—Hughes, Multer and Schacht

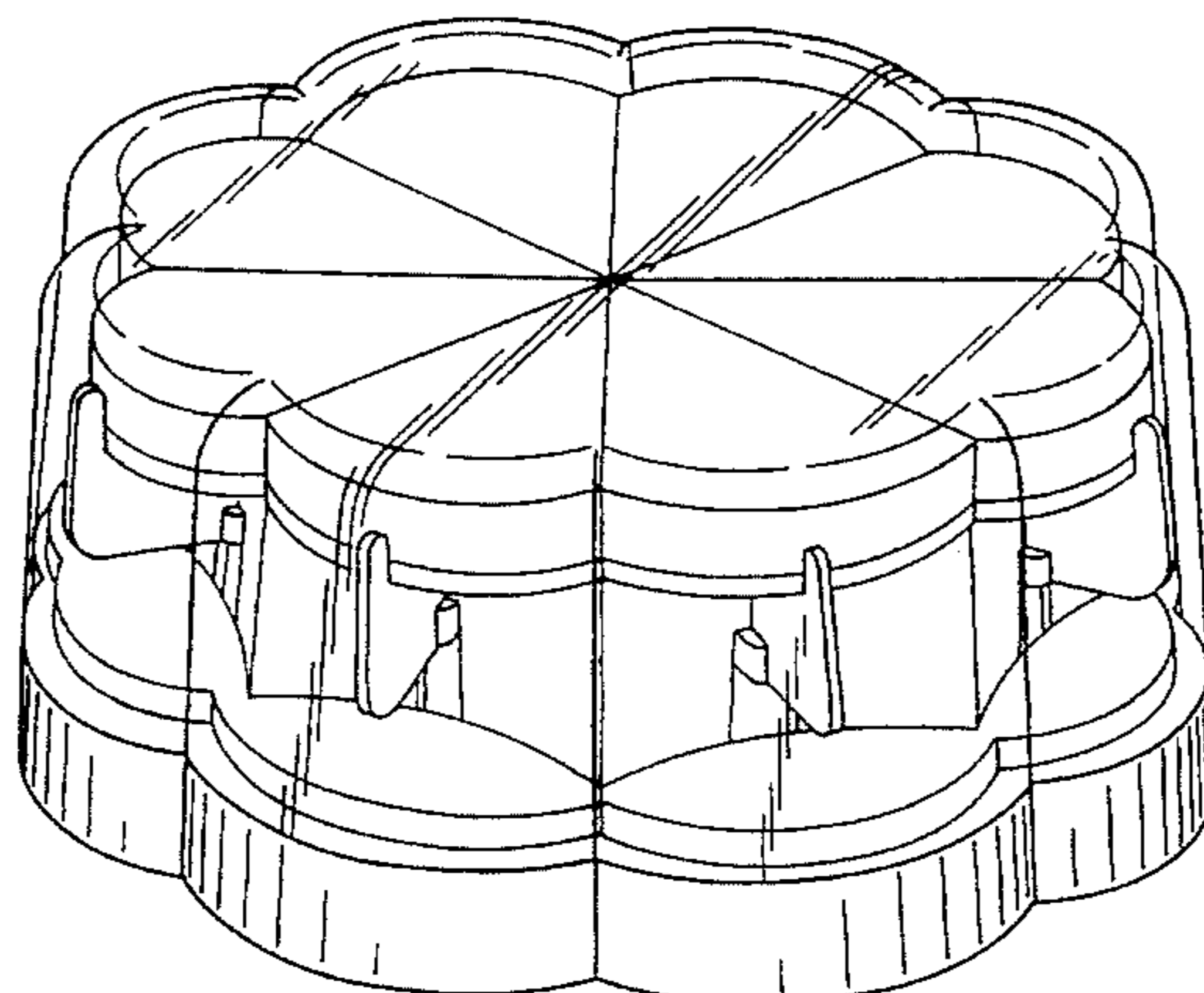
[57] **CLAIM**

The new design for a mounting assembly for multiple ink pads, as shown and described.

**DESCRIPTION**

FIG. 1 is an isometric view of a mounting assembly for multiple ink pads showing my new design;  
FIG. 2 is a top plan view thereof;  
FIG. 3 is an elevational view thereof; and,  
FIG. 4 is a bottom view thereof.

**1 Claim, 2 Drawing Sheets**



# Des. 367,291

Page 2

---

## U.S. PATENT DOCUMENTS

3,795,192	3/1974	Robertson .	4,221,164	9/1980	Krulwich .	
3,817,178	6/1974	Hagen .	4,259,568	3/1981	Dynesen .	
3,859,915	1/1975	Hunter .	4,367,965	1/1983	Speitel et al. .	
3,948,173	4/1976	Barasch .	4,375,191	3/1983	Dickey .....	101/333
3,973,495	8/1976	Rowe .	4,545,140	10/1985	Winston .	
4,004,376	1/1977	Schepp et al. .	4,817,526	4/1989	Winston .	
4,181,560	1/1980	Maitland .	4,852,203	8/1989	LaBelle .	
			4,996,921	3/1991	Hong .	
			5,313,885	5/1994	Winston .	

FIG. 1

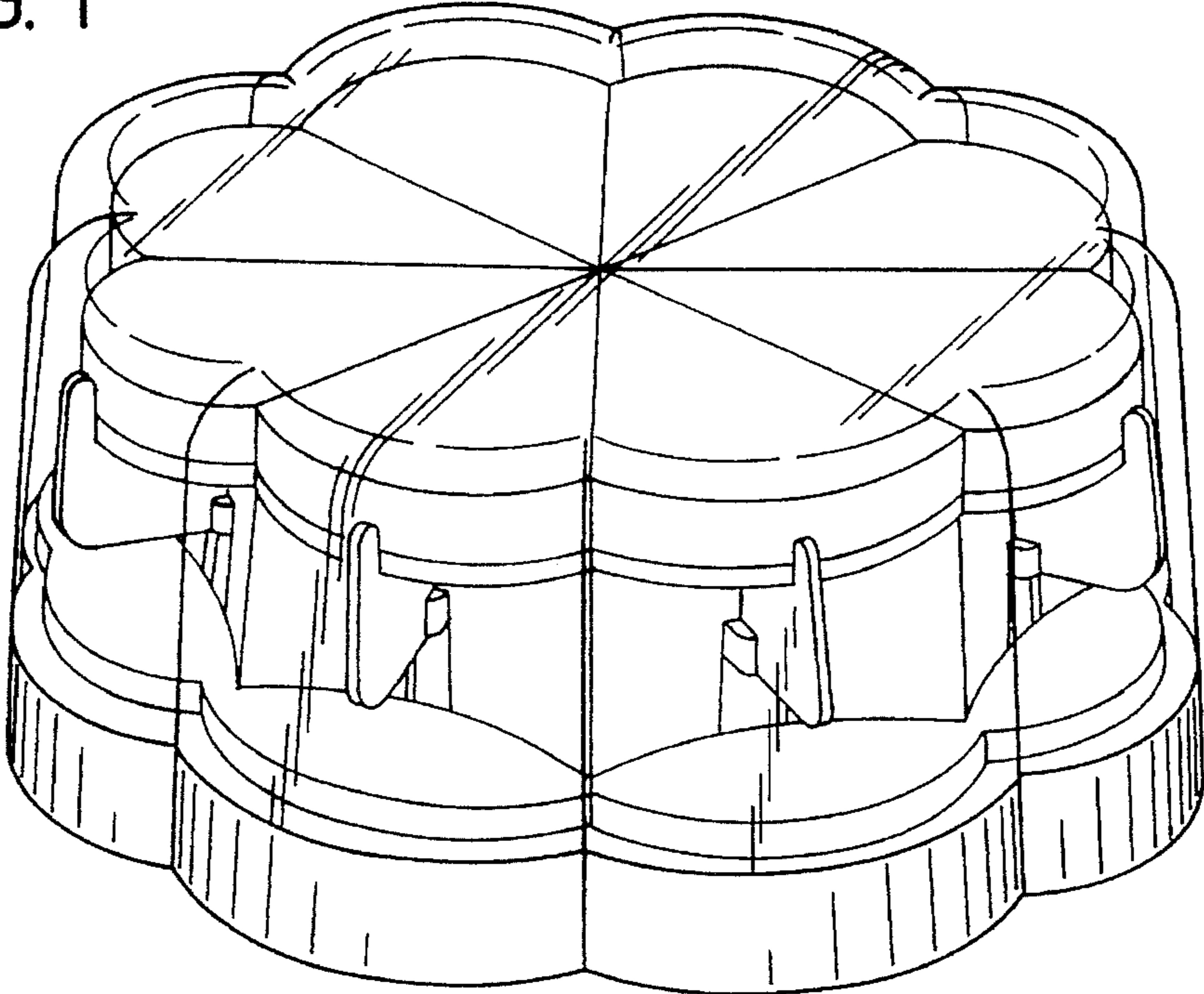


FIG. 2

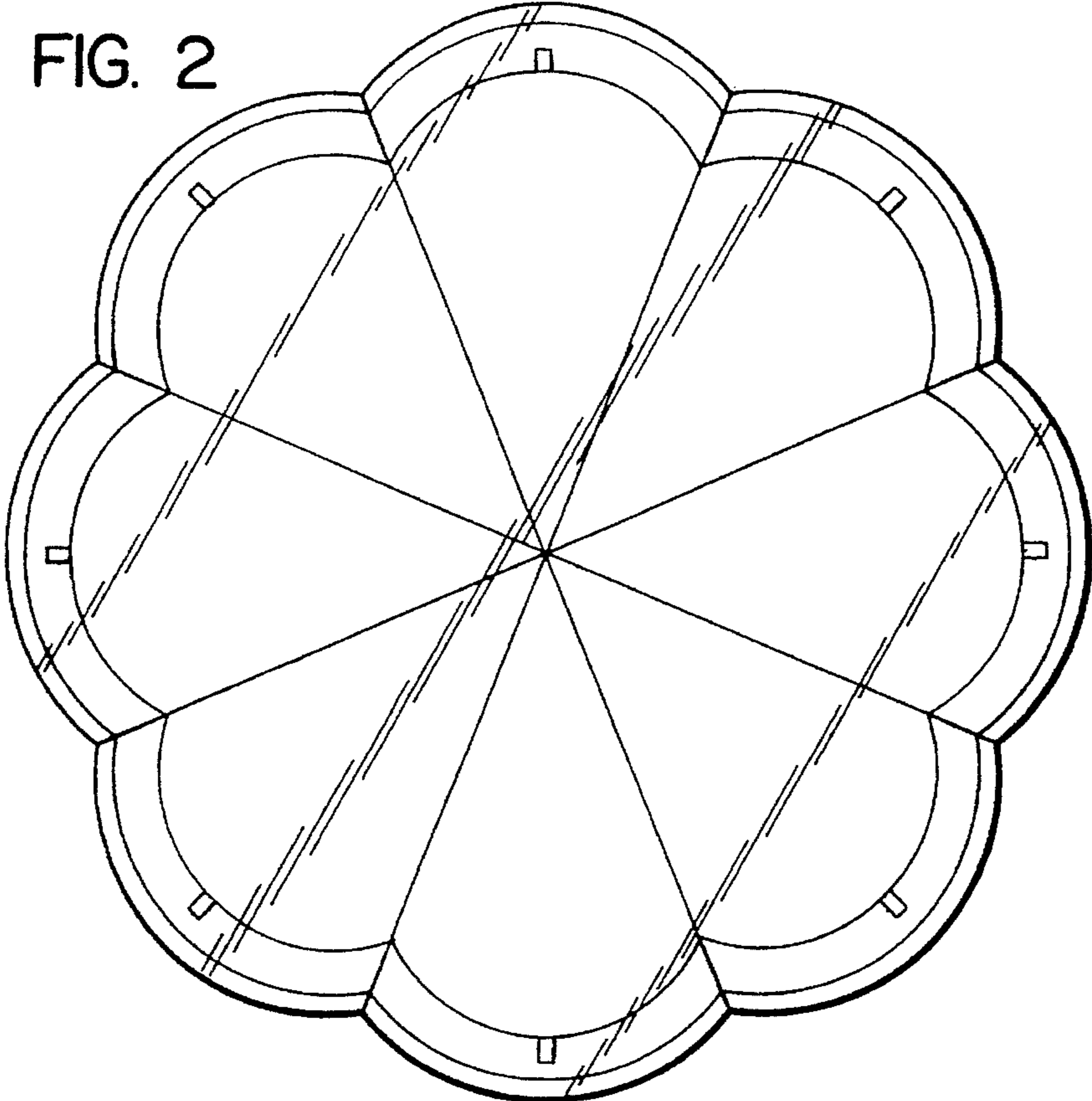


FIG. 3

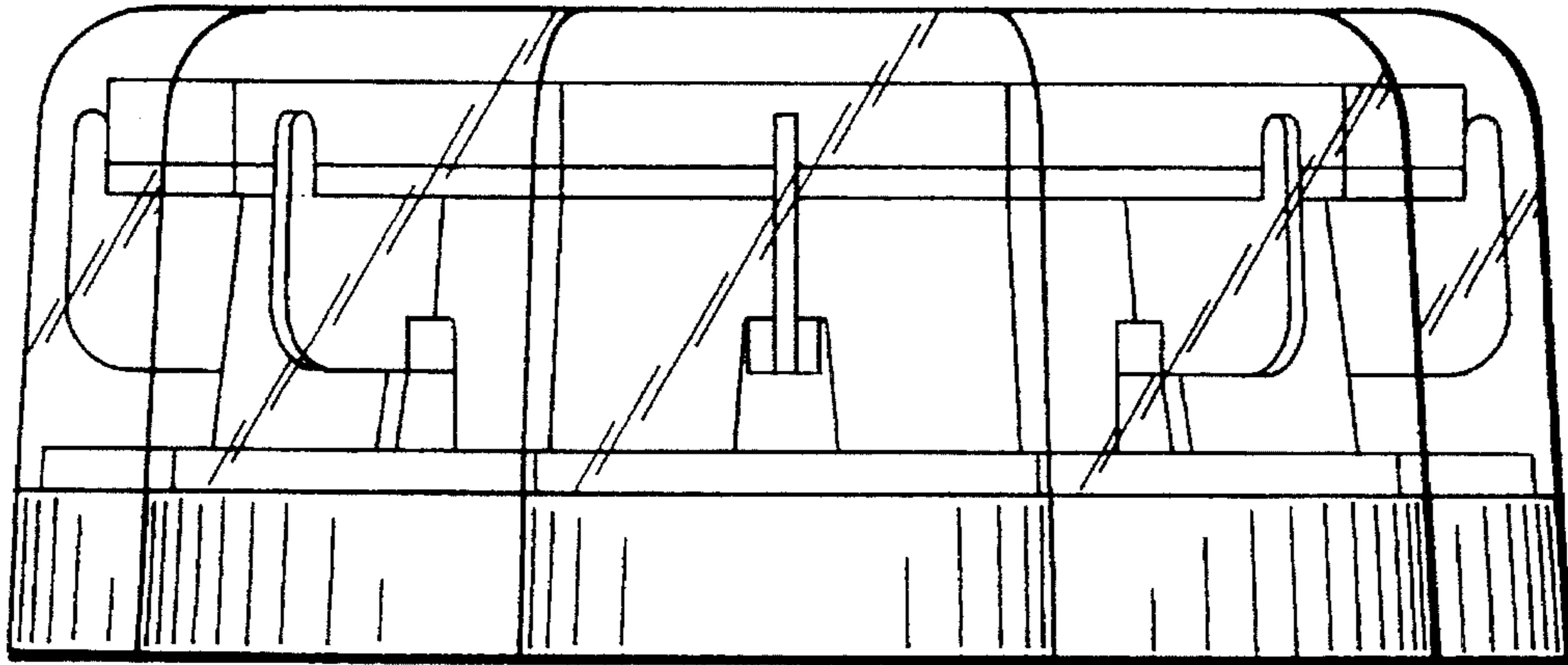


FIG. 4

