



US00D367283S

United States Patent [19]

Lyon et al.

[11] Patent Number: **Des. 367,283**

[45] Date of Patent: ****Feb. 20, 1996**

[54] **COMBINED ALL-WEATHER CAMERA AND A HOUSING THEREFOR**

[75] Inventors: **Ralph M. Lyon**, Rochester; **Steven S. Chapman**, Corfu, both of N.Y.

[73] Assignee: **Eastman Kodak Company**, Rochester, N.Y.

[**] Term: **14 Years**

[21] Appl. No.: **22,927**

[22] Filed: **May 16, 1994**

[52] U.S. Cl. **D16/208**; D16/200; D16/204

[58] Field of Search D16/200, 201, D16/203, 204, 208, 209, 216-218; 354/126, 64, 149.11, 202, 288

[56] **References Cited**

U.S. PATENT DOCUMENTS

D. 306,305	2/1990	Robinson et al.	D16/200
D. 316,721	5/1991	Lue et al.	D16/209
D. 321,704	11/1991	Leonard	D16/200
D. 334,397	3/1993	Kohnno et al.	D16/204
D. 352,302	11/1994	Lamphron	D16/208
4,882,600	11/1989	VanDeMoere	354/64

4,943,822 7/1990 Von Braunhut 354/288

FOREIGN PATENT DOCUMENTS

6-082896 3/1994 Japan 354/64

Primary Examiner—Ted Shooman
Assistant Examiner—Adir Aronovich
Attorney, Agent, or Firm—Roger A. Fields

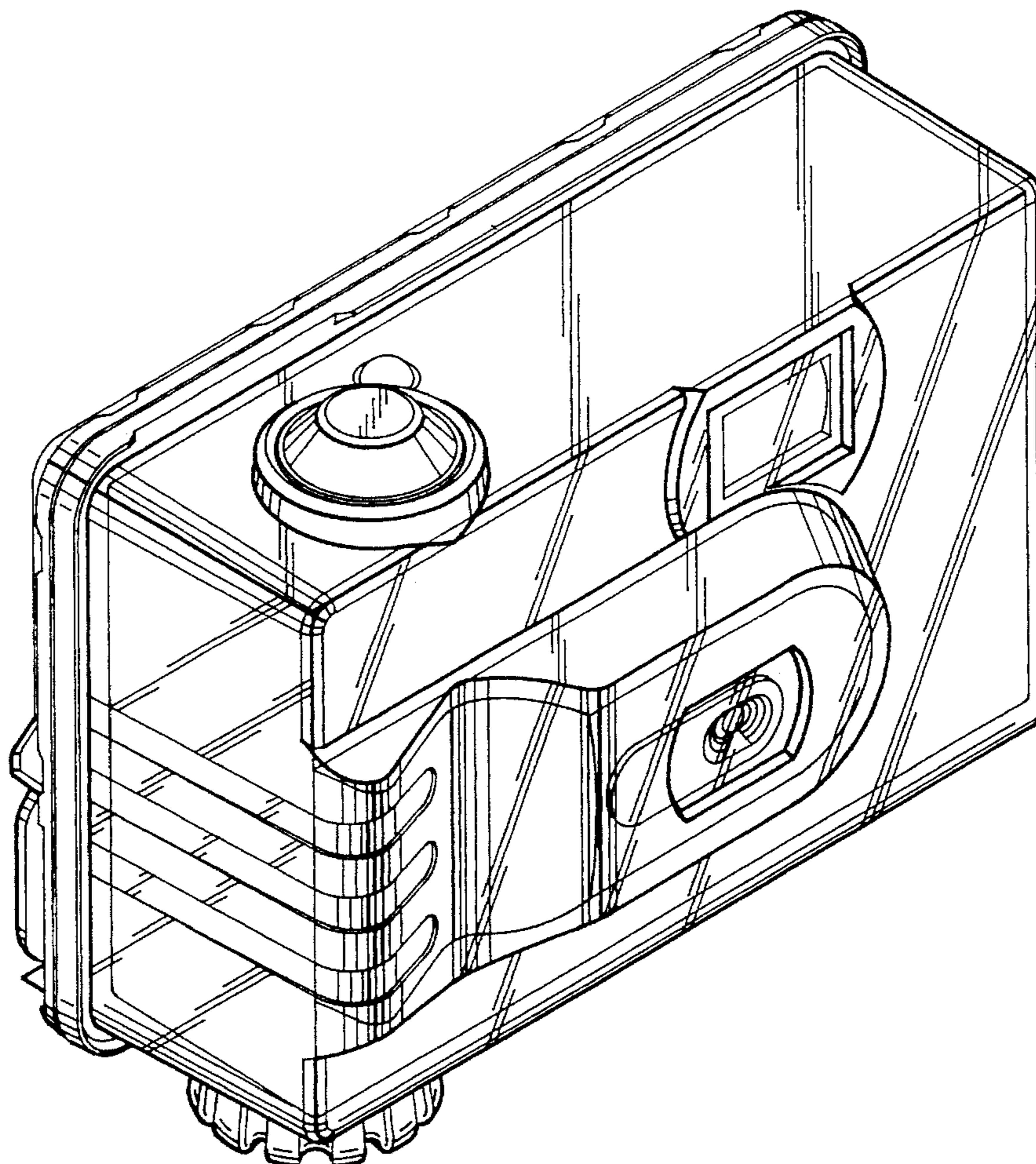
[57] **CLAIM**

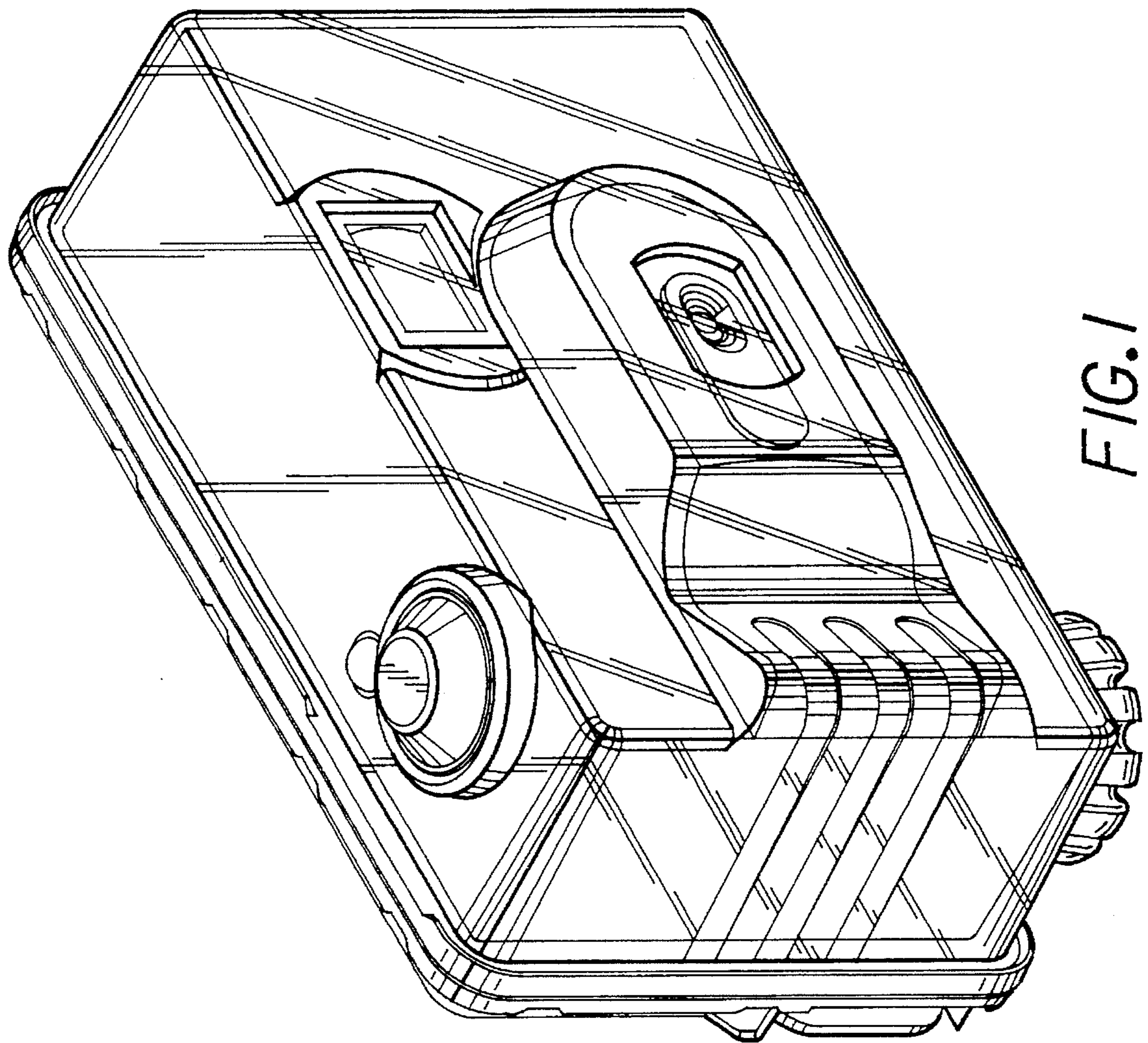
The ornamental design for an combined all-weather camera and a housing therefor, as shown and described.

DESCRIPTION

FIG. 1 is a front, right-side, top perspective view of an combined all-weather camera and a housing thereof showing our new design;
FIG. 2 is a rear, left-side, bottom perspective thereof;
FIG. 3 is a front elevation view thereof;
FIG. 4 is a rear elevation view thereof;
FIG. 5 is a right-side elevation view thereof;
FIG. 6 is a left-side elevation view thereof;
FIG. 7 is a top plan view thereof; and,
FIG. 8 is a bottom plan view thereof.

1 Claim, 8 Drawing Sheets





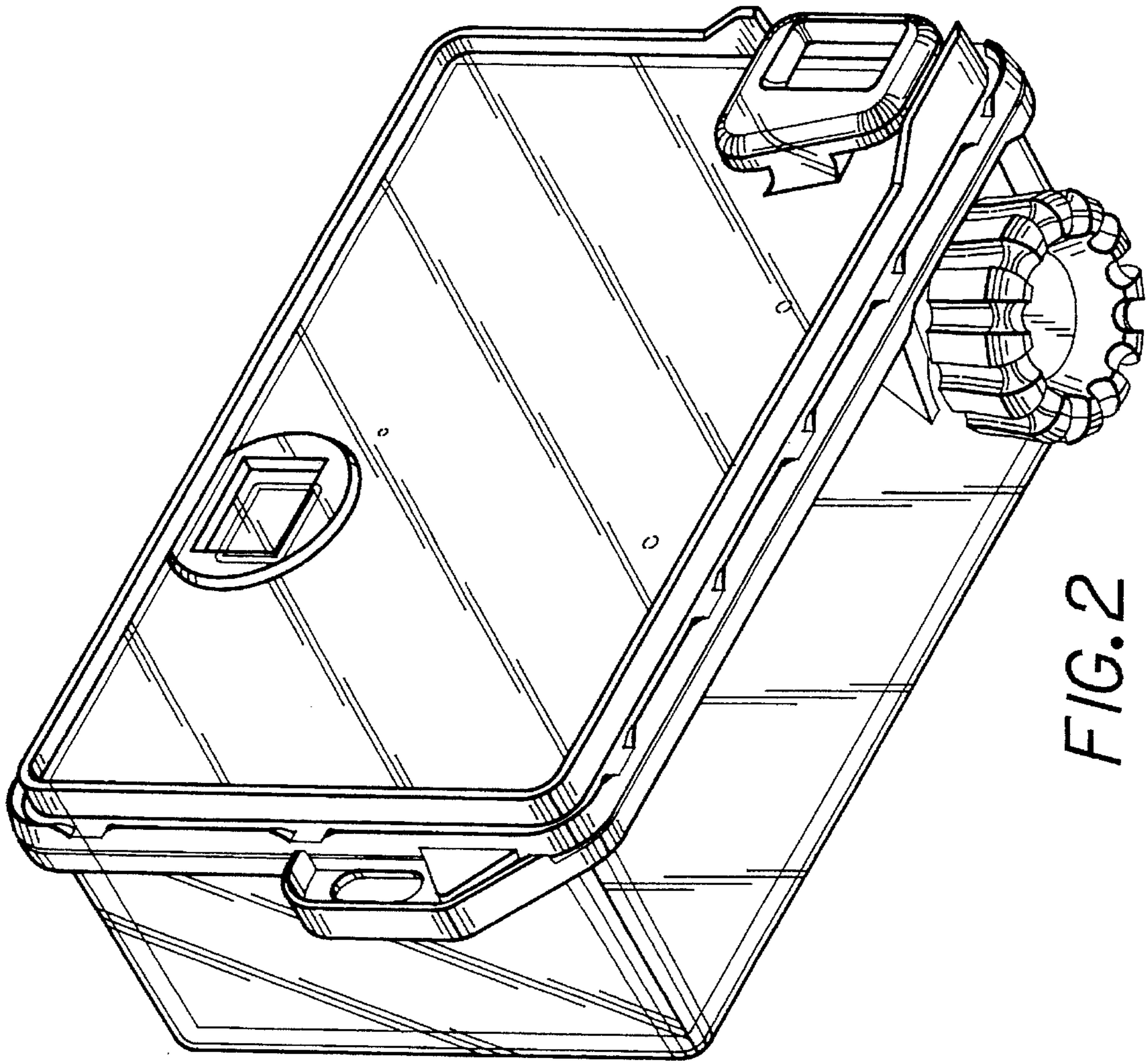


FIG. 2

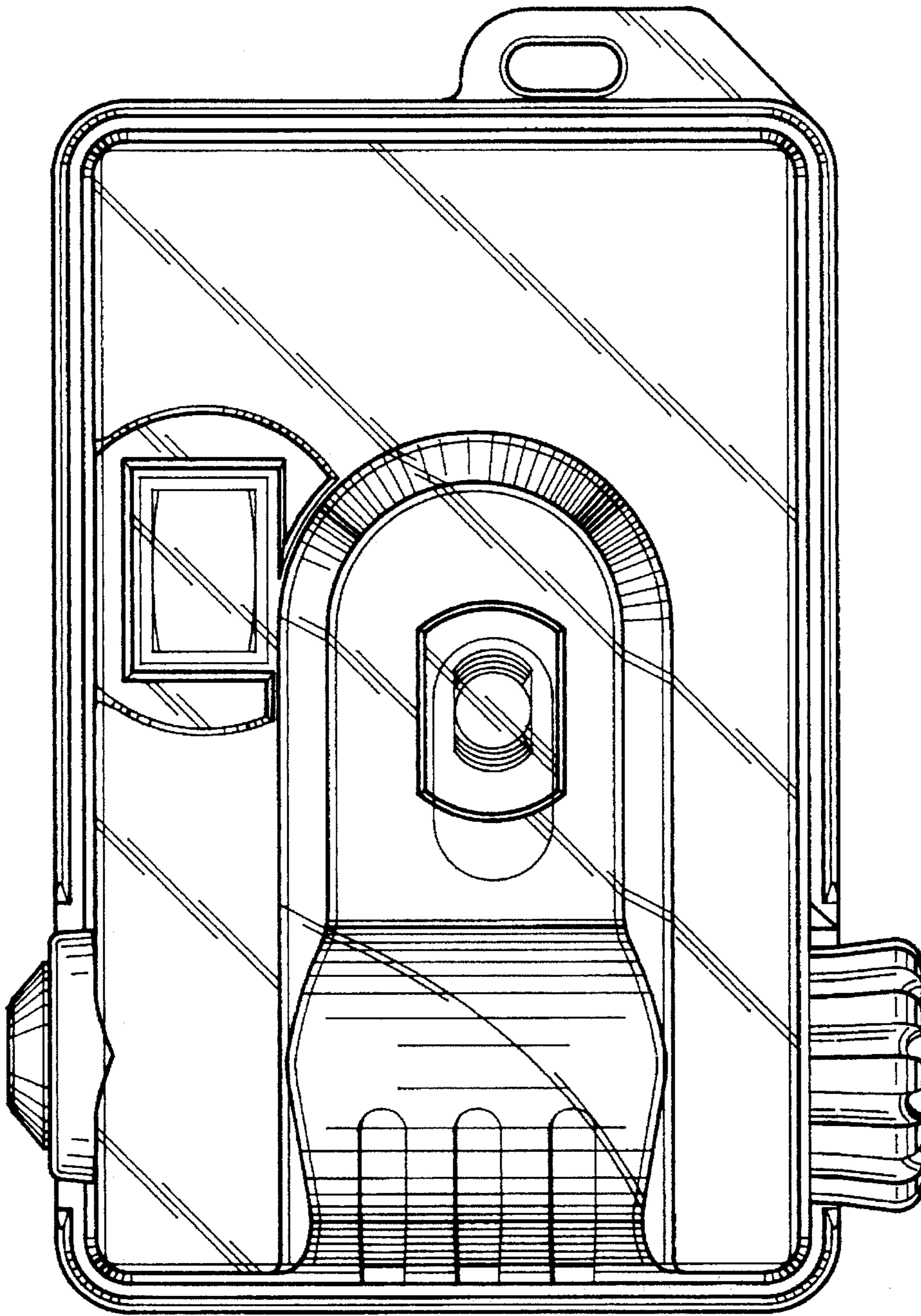


FIG. 3

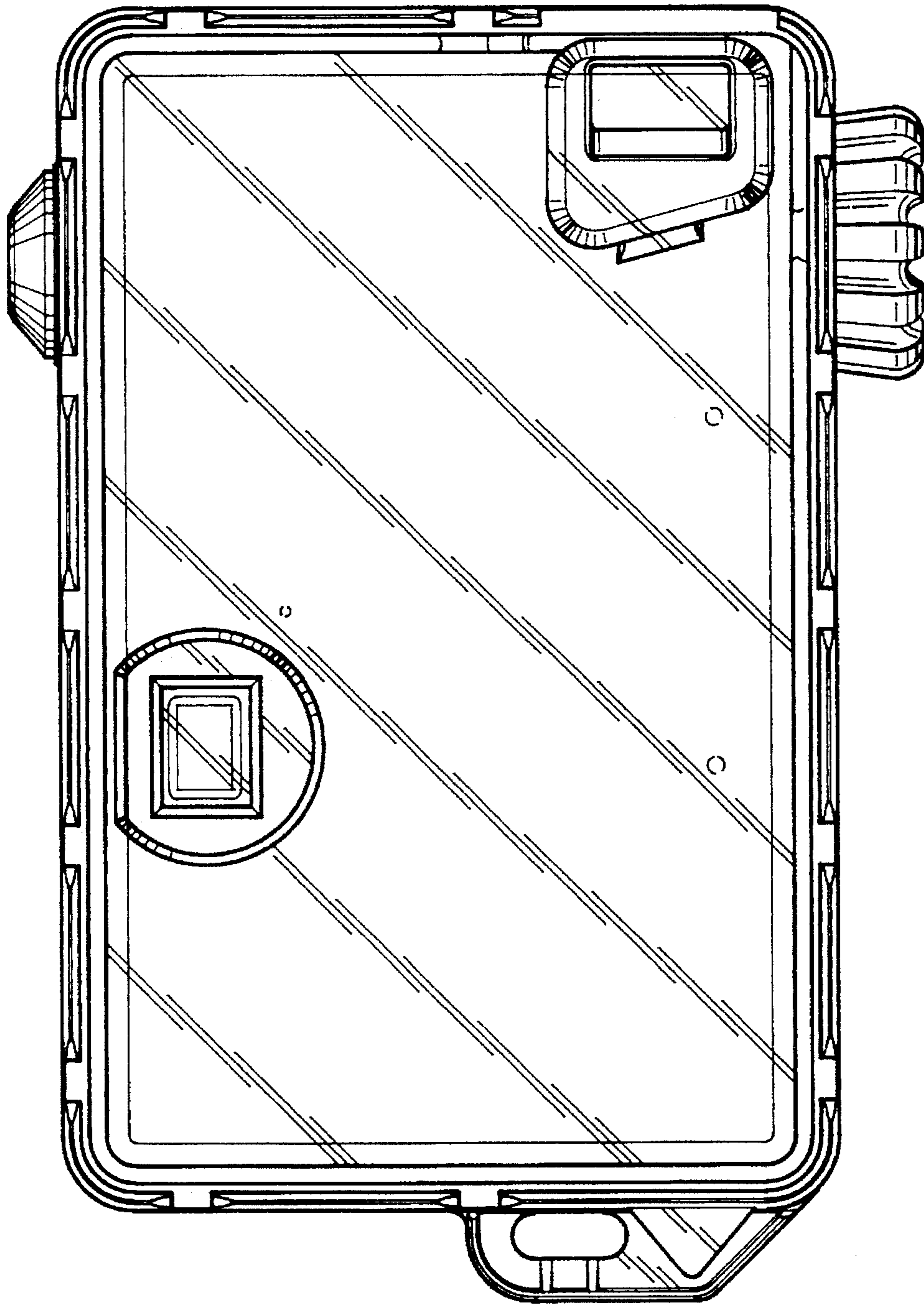


FIG. 4

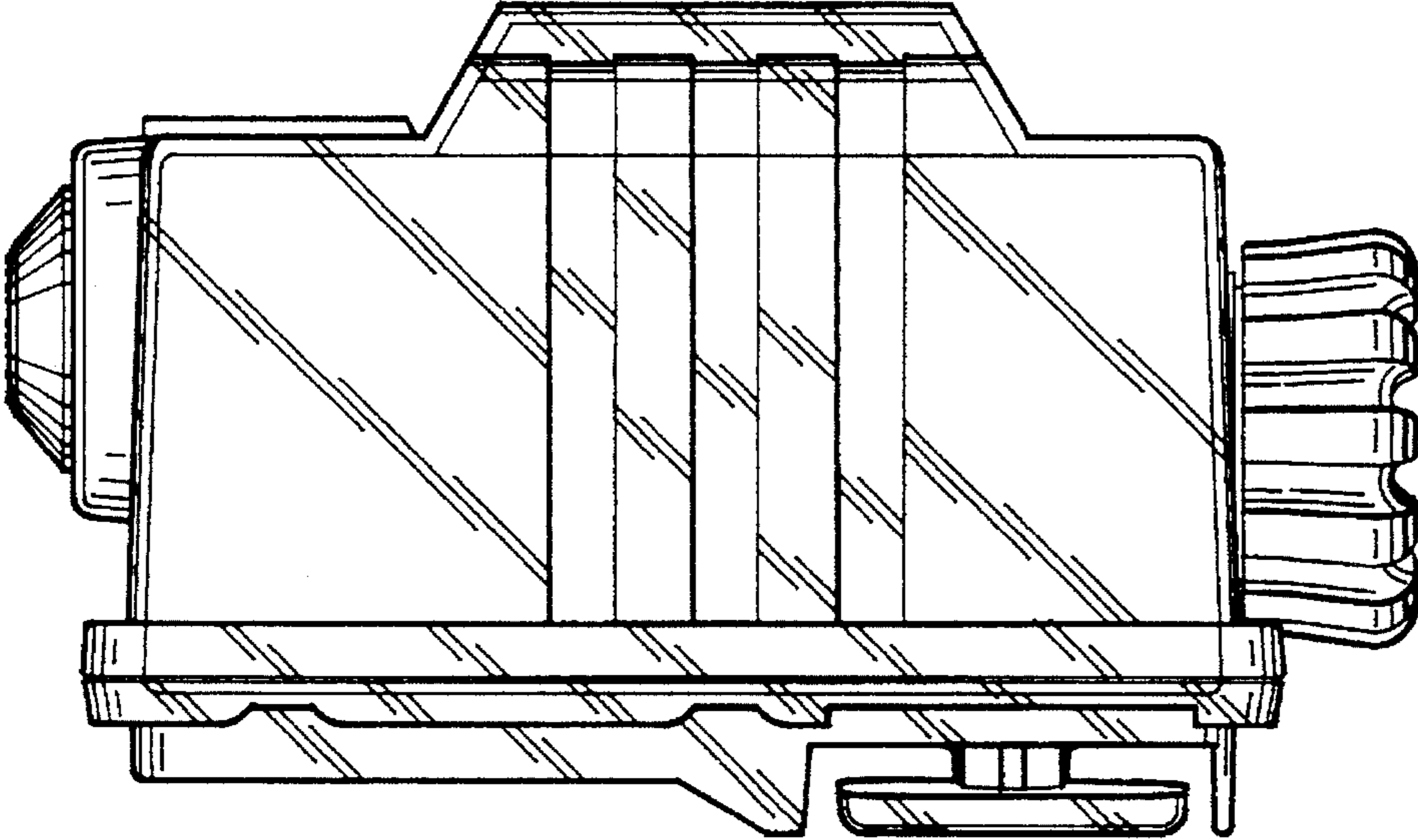


FIG. 5

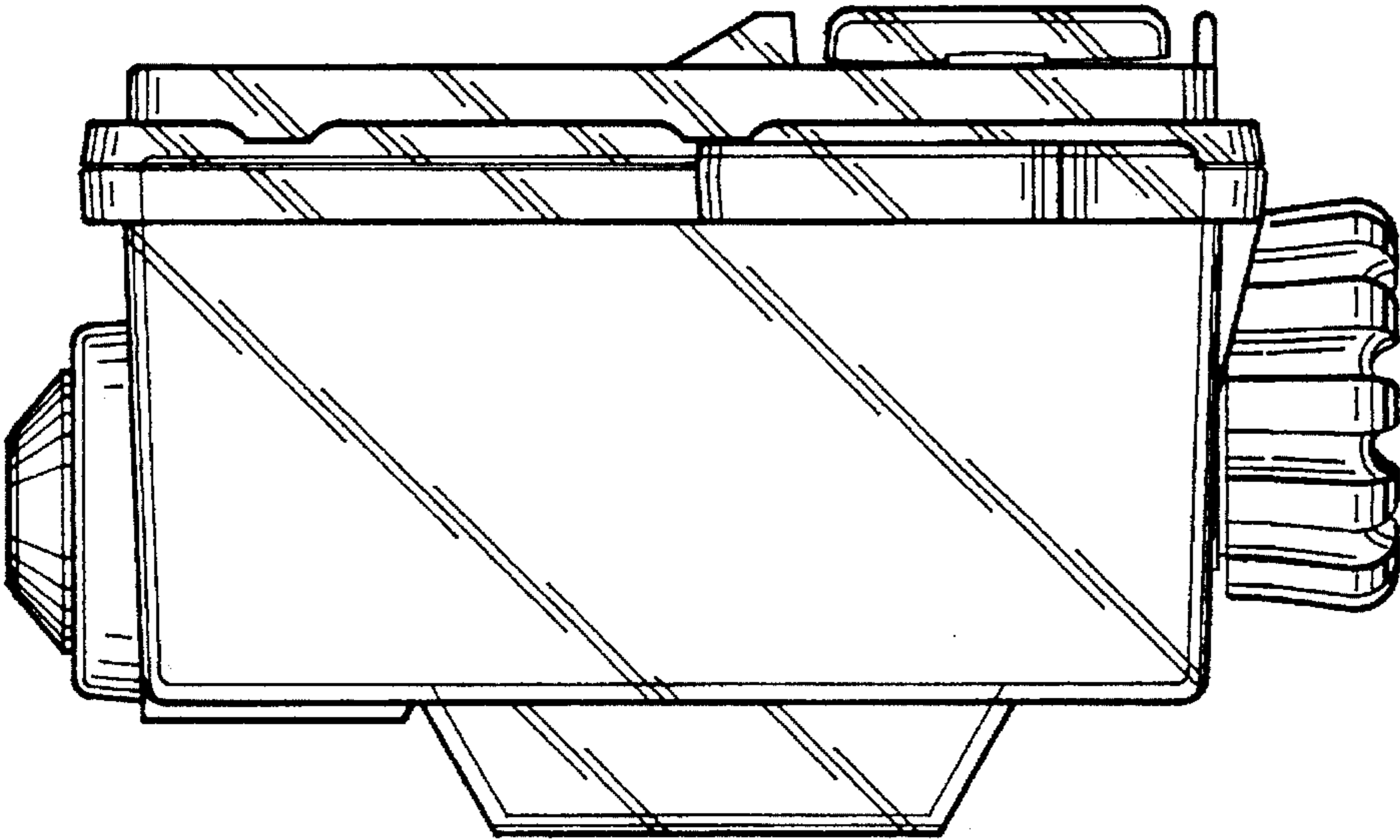


FIG. 6

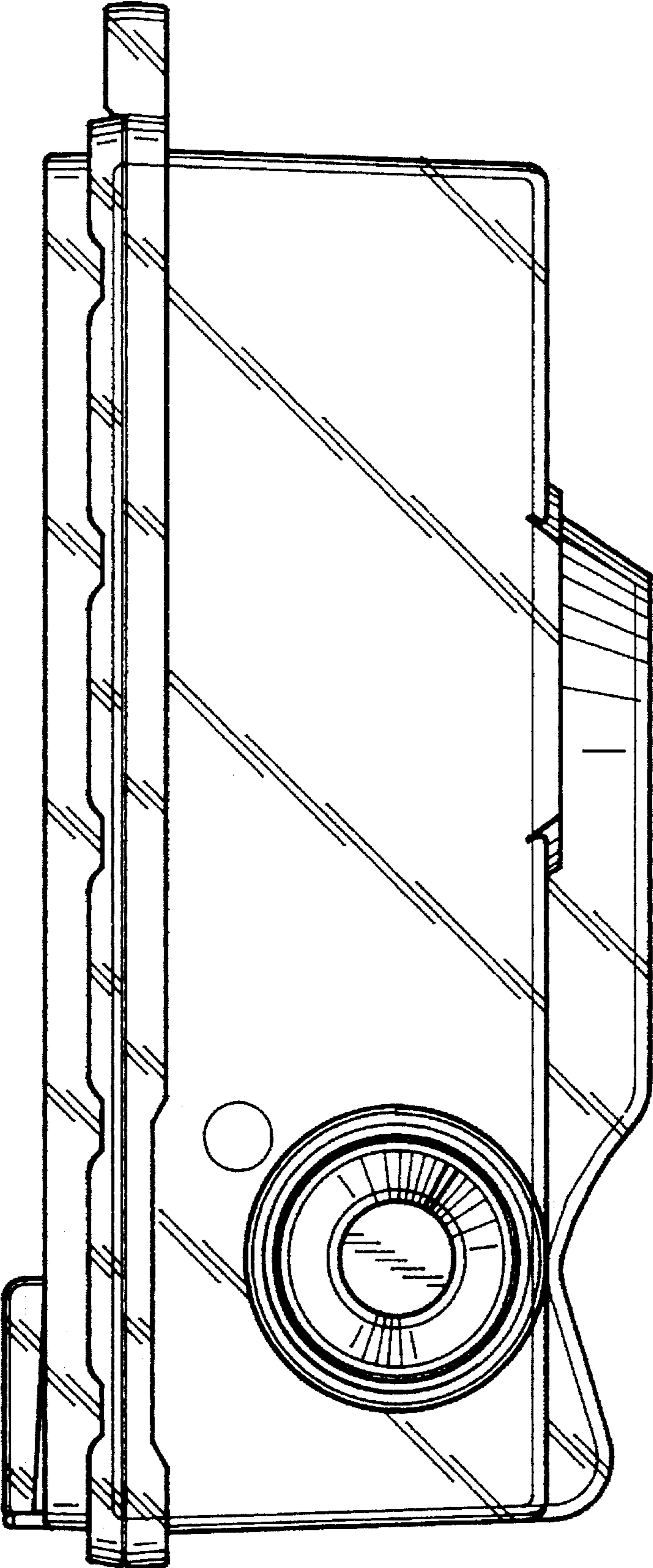


FIG. 7

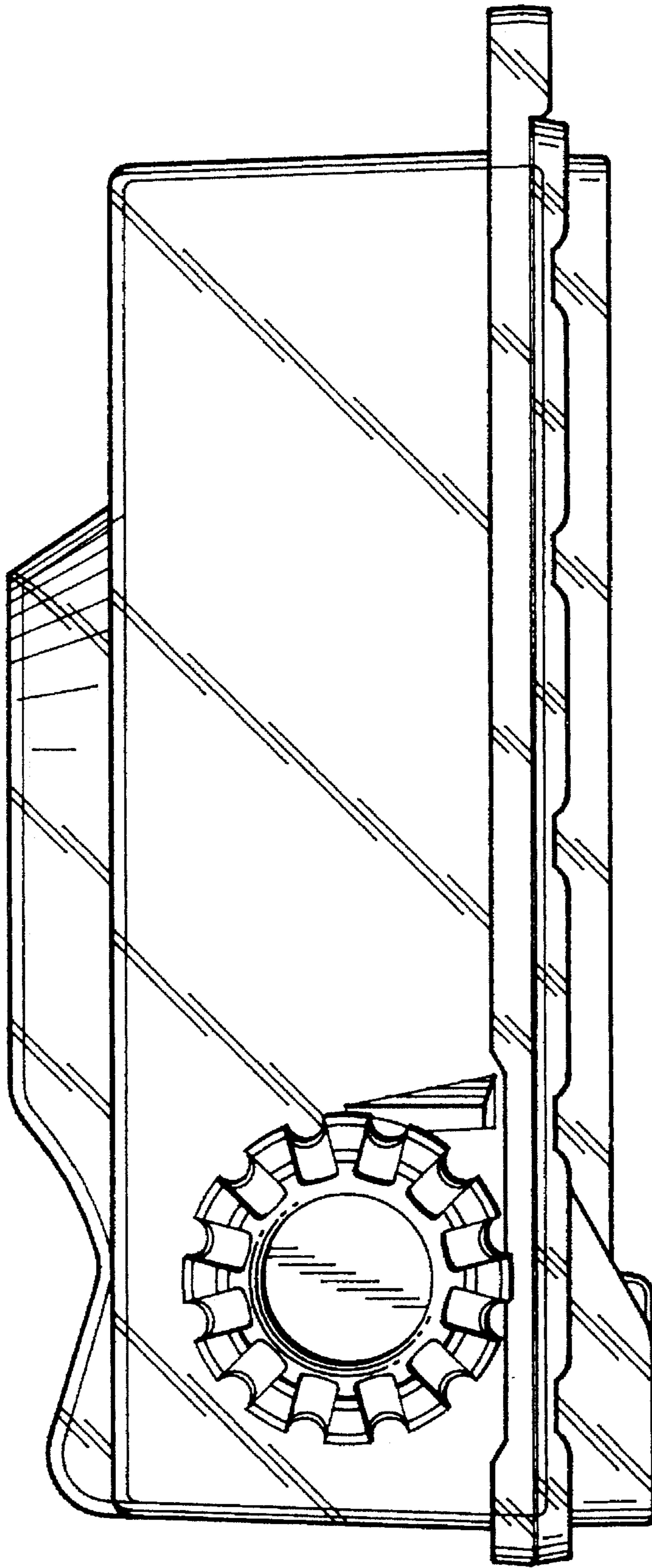


FIG. 8