



US00D367282S

# United States Patent [19] Yarbrough

[11] Patent Number: **Des. 367,282**

[45] Date of Patent: **\*\*Feb. 20, 1996**

[54] EXTRUSION APPARATUS

[76] Inventor: **Harvey M. Yarbrough**, 34 Crestview Cir., Ringgold, Ga. 30736

[\*\*] Term: **14 Years**

[21] Appl. No.: **34,577**

[22] Filed: **Feb. 8, 1995**

[52] U.S. Cl. .... **D15/199**

[58] Field of Search ..... D15/199; 425/204, 425/206, 207, 208; 366/76, 80, 85, 86

[56] **References Cited**

**U.S. PATENT DOCUMENTS**

3,383,096	5/1968	Braibanti et al. .	
4,124,307	11/1978	Anisic .	
4,467,969	8/1984	Godfrey et al. .	
4,802,140	1/1989	Dowling .	
4,859,068	8/1989	Sironi .	
5,055,027	10/1991	Sato .....	425/204 X
5,230,476	7/1993	Rust et al. .	

5,253,994	10/1993	Zweig et al. .	
5,265,955	11/1993	Guggiaci .....	425/204 X
5,409,366	4/1995	Vincent .....	425/204

*Primary Examiner*—Antoine Duval Davis  
*Attorney, Agent, or Firm*—Richard C. Litman

[57] **CLAIM**

The ornamental design for an extrusion apparatus, as shown and described.

**DESCRIPTION**

FIG. 1 is a perspective view of an extrusion apparatus showing my new design;  
FIG. 2 is a front elevational view thereof;  
FIG. 3 is a rear elevational view thereof;  
FIG. 4 is a top plan view thereof;  
FIG. 5 is a bottom plan view thereof;  
FIG. 6 is a right side elevational view thereof; and,  
FIG. 7 is a left side elevational view thereof.

**1 Claim, 3 Drawing Sheets**

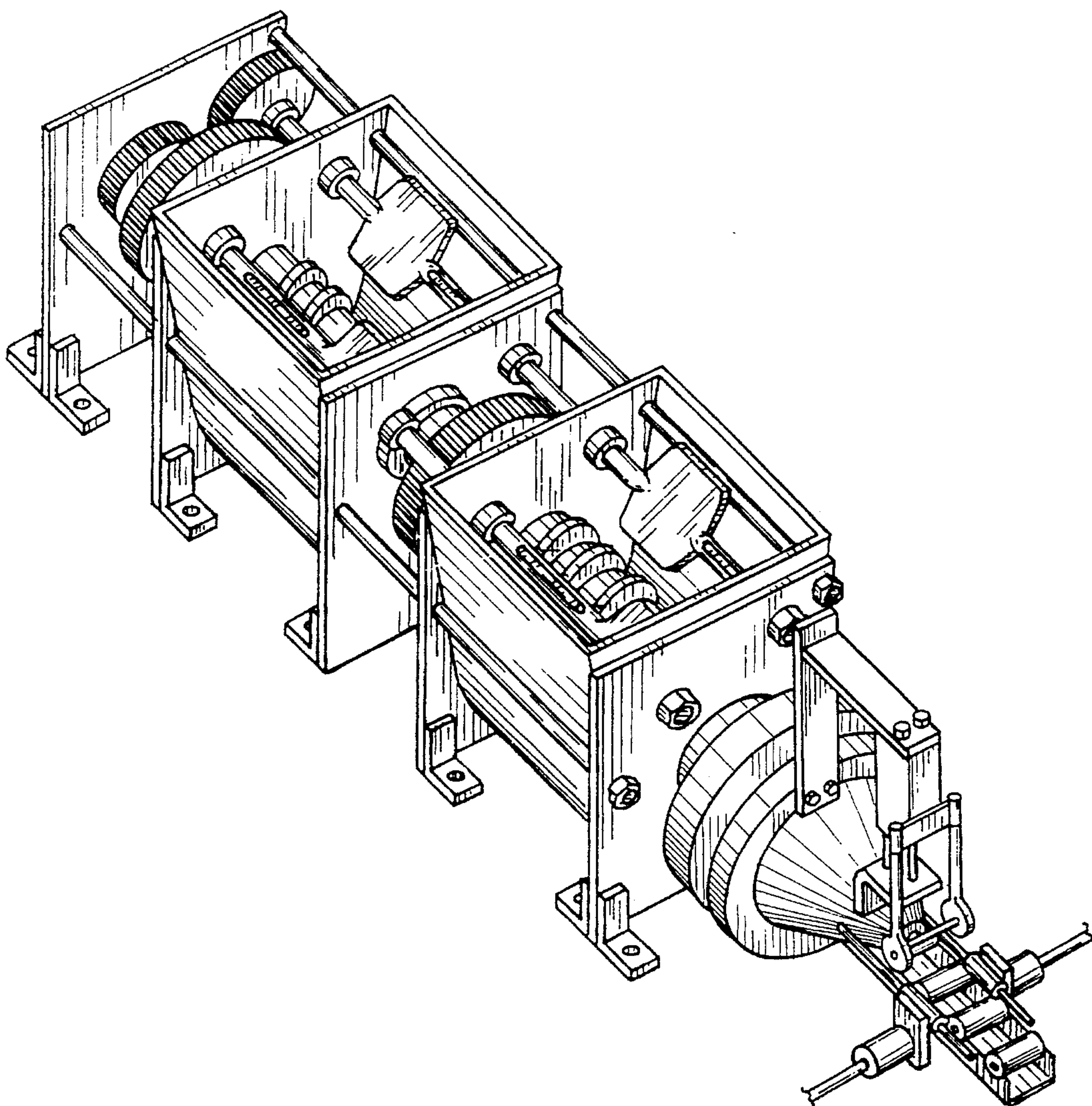
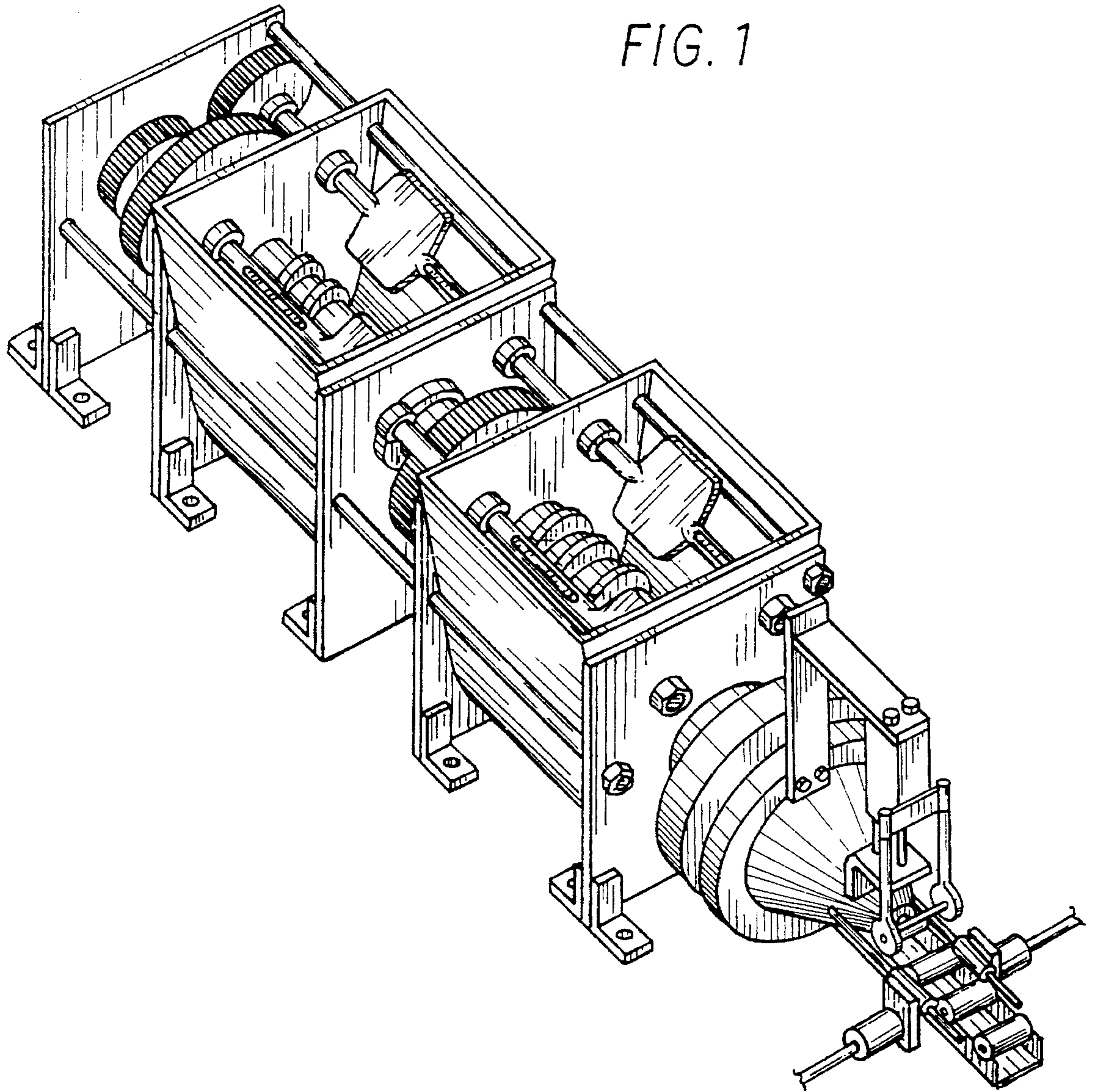


FIG. 1





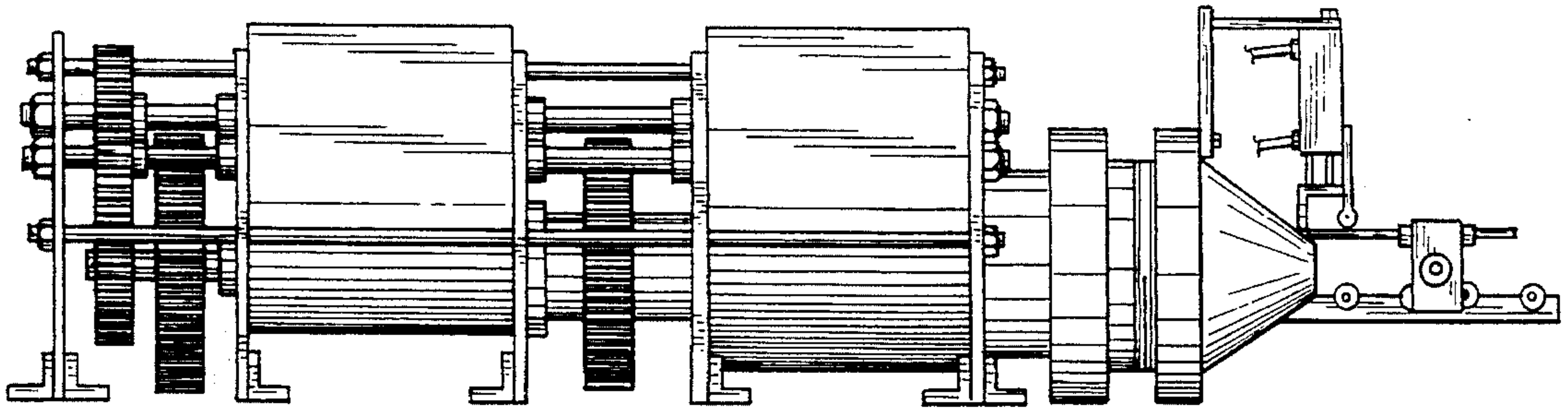


FIG. 2

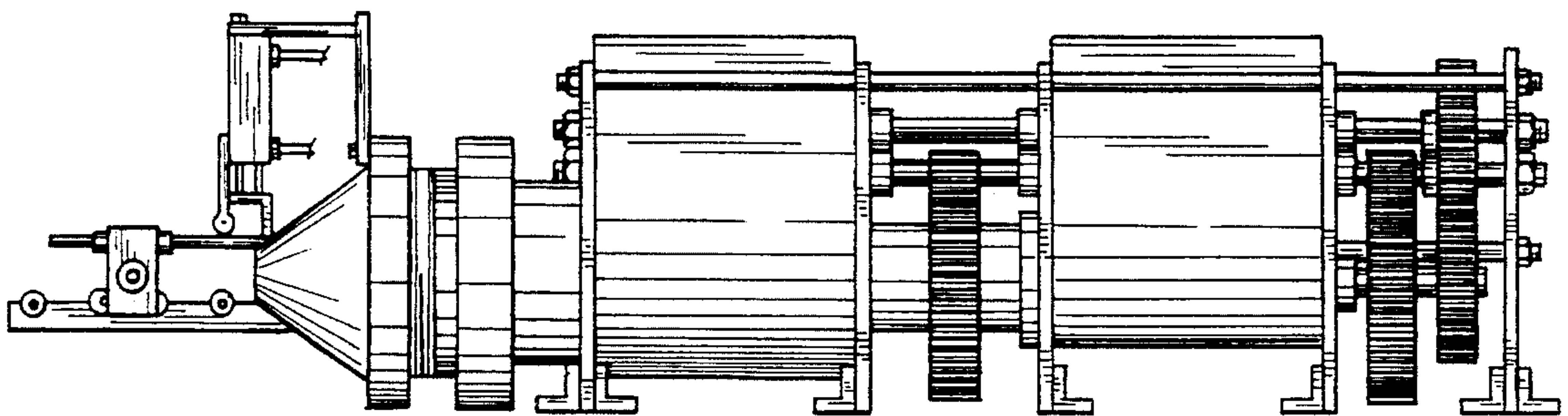


FIG. 3

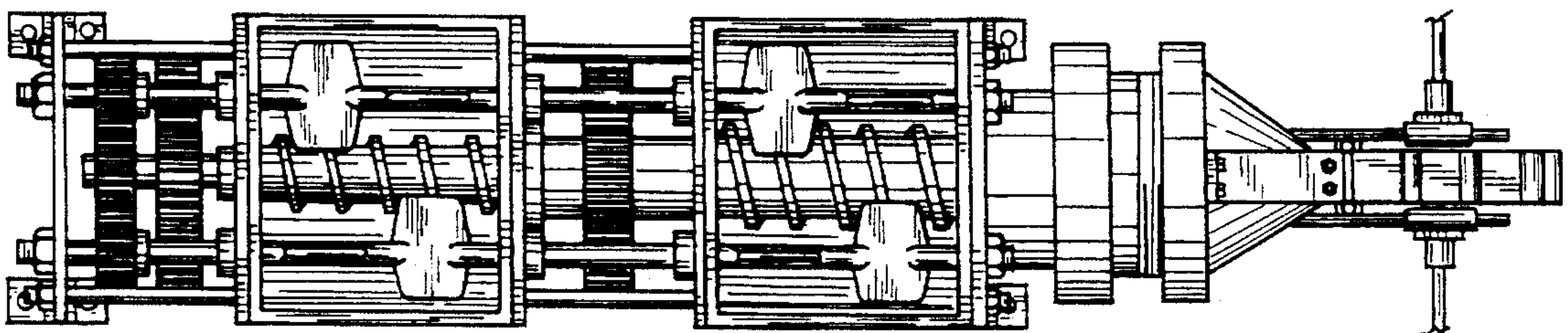


FIG. 4

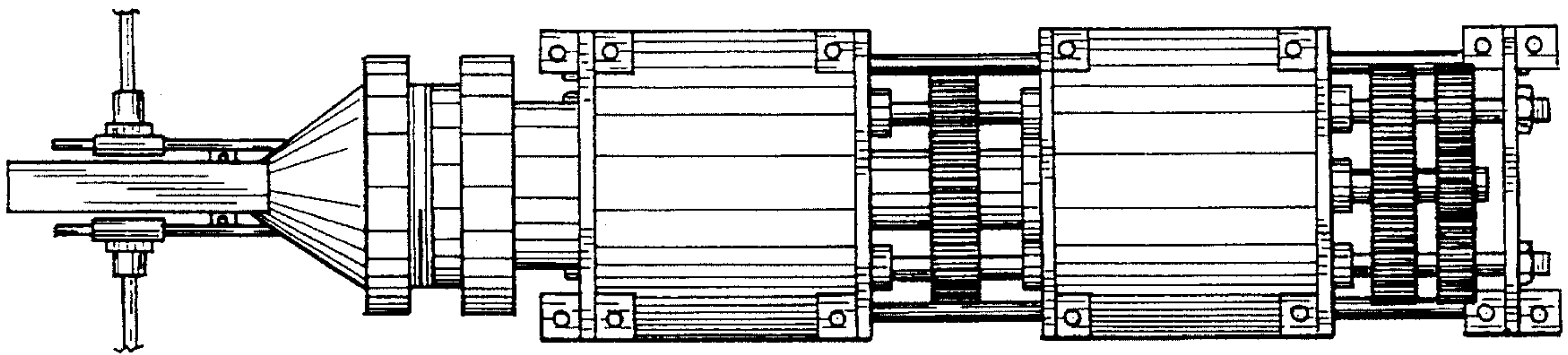


FIG. 5

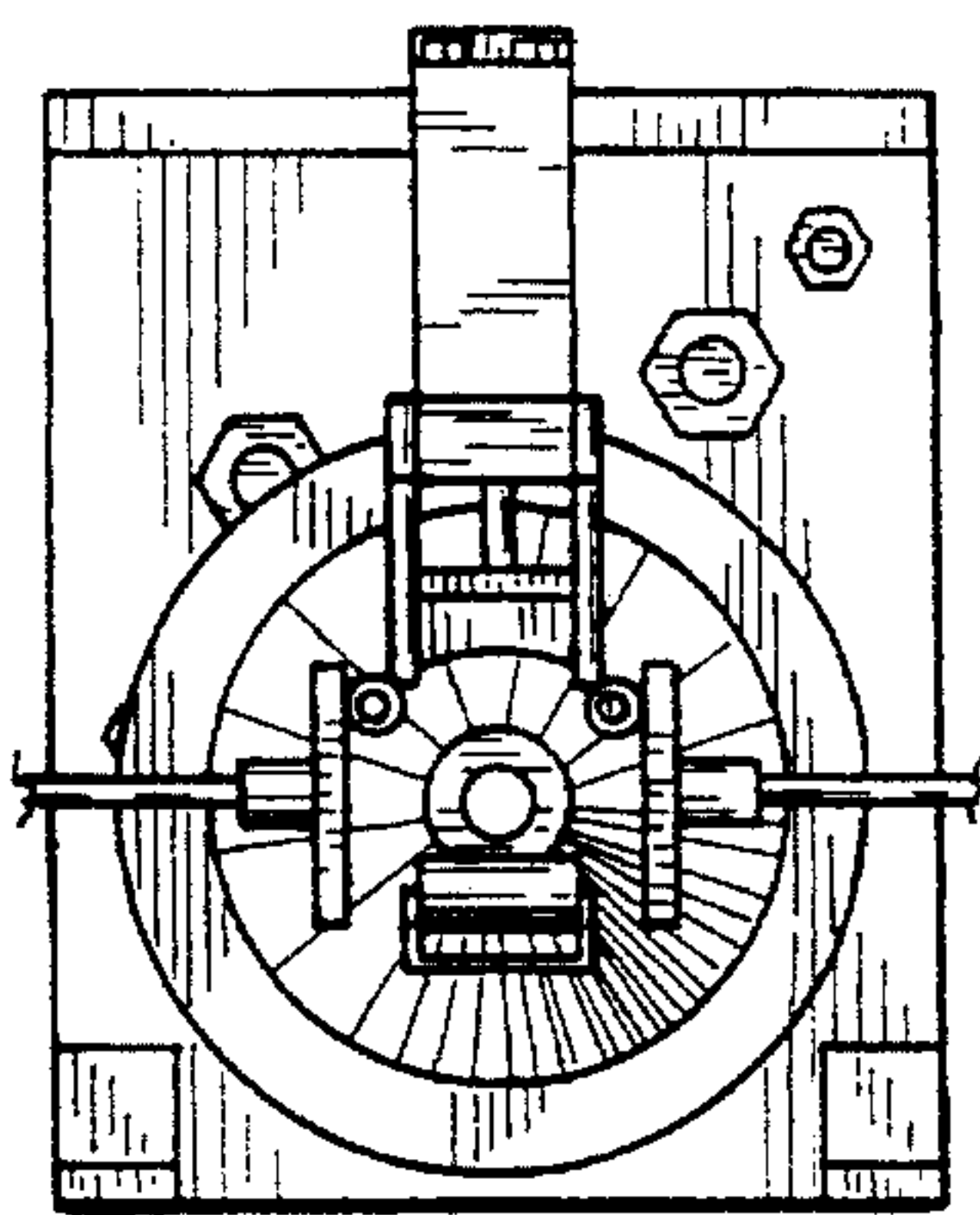


FIG. 6

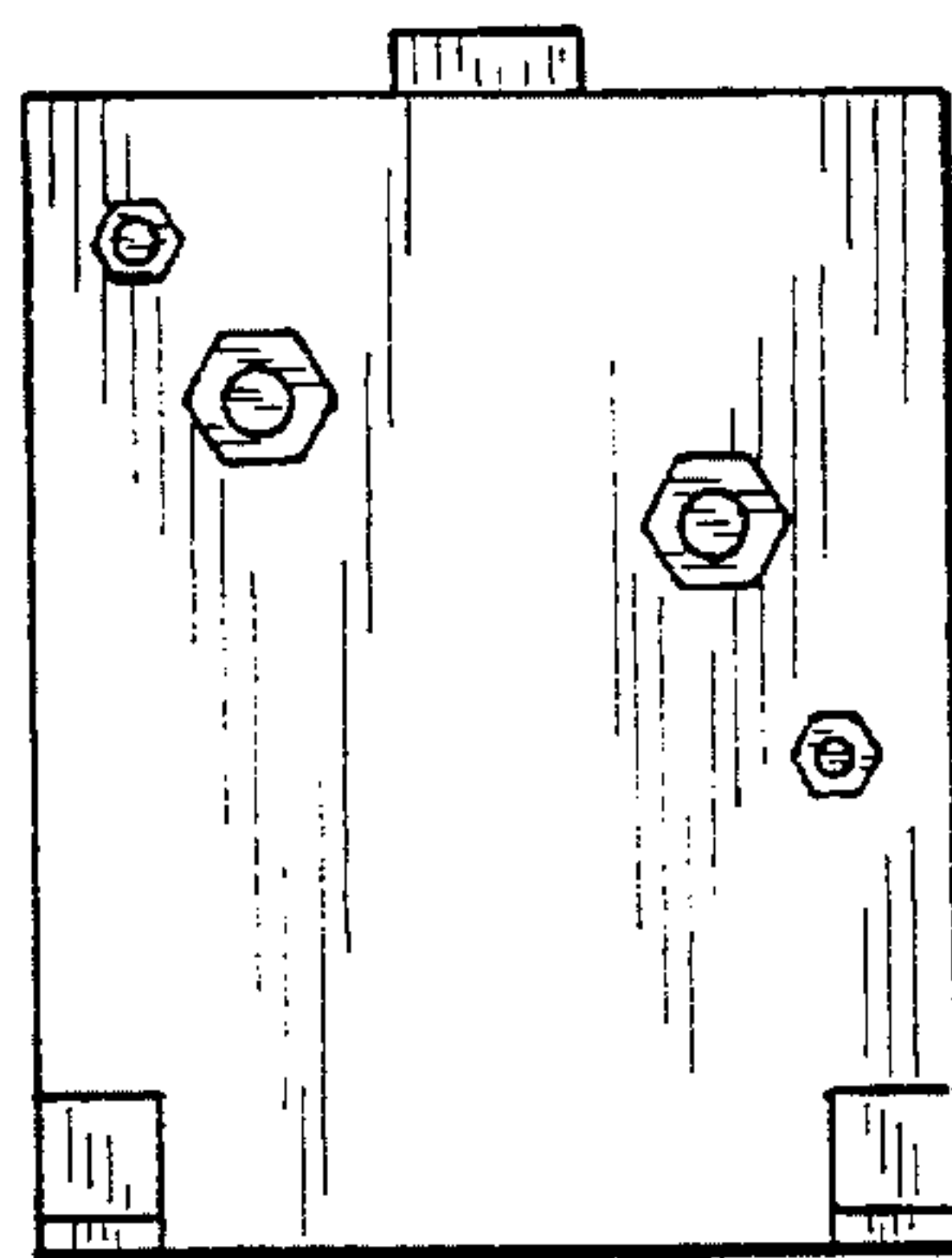


FIG. 7