



US00D367278S

United States Patent [19]

Moriwaki et al.

[11] Patent Number: **Des. 367,278**

[45] Date of Patent: ****Feb. 20, 1996**

[54] **DISK TRAY FOR OPTICAL DISK PLAYER**

[75] Inventors: **Masahiko Moriwaki; Shinichi Maeda; Takayuki Hayami; Kyosuke Kawazoe,** all of Osaka, Japan

[73] Assignee: **Matsushita Electric Industrial Co., Ltd.,** Osaka, Japan

[**] Term: **14 Years**

[21] Appl. No.: **32,724**

[22] Filed: **Dec. 27, 1994**

[30] **Foreign Application Priority Data**

Jun. 27, 1994 [JP] Japan 6-19129

[52] U.S. Cl. **D14/217**

[58] Field of Search D14/114, 109, D14/156, 217, 299; 369/75.1, 75.2, 77.1, 77.2, 270

[56] **References Cited**

U.S. PATENT DOCUMENTS

D. 314,197 1/1991 Ito et al. D14/156

D. 343,839 2/1994 Dennis D14/217
4,561,085 12/1985 Funabashi D14/156
5,341,352 8/1994 Isobe 369/270

Primary Examiner—Ted Shooman
Assistant Examiner—Sandra Morris
Attorney, Agent, or Firm—Sughrue, Mion, Zinn, Macpeak & Seas

[57] **CLAIM**

The ornamental design for a disk tray for optical disk player, as shown.

DESCRIPTION

FIG. 1 is a perspective view of the top, front and right side of a disk tray for optical disk player showing our new design;
FIG. 2 is a front elevational view thereof;
FIG. 3 is a top plan view thereof;
FIG. 4 is a right side elevational view thereof;
FIG. 5 is a left side elevational view thereof;
FIG. 6 is a rear elevational view thereof; and,
FIG. 7 is a bottom plan view thereof.

1 Claim, 2 Drawing Sheets

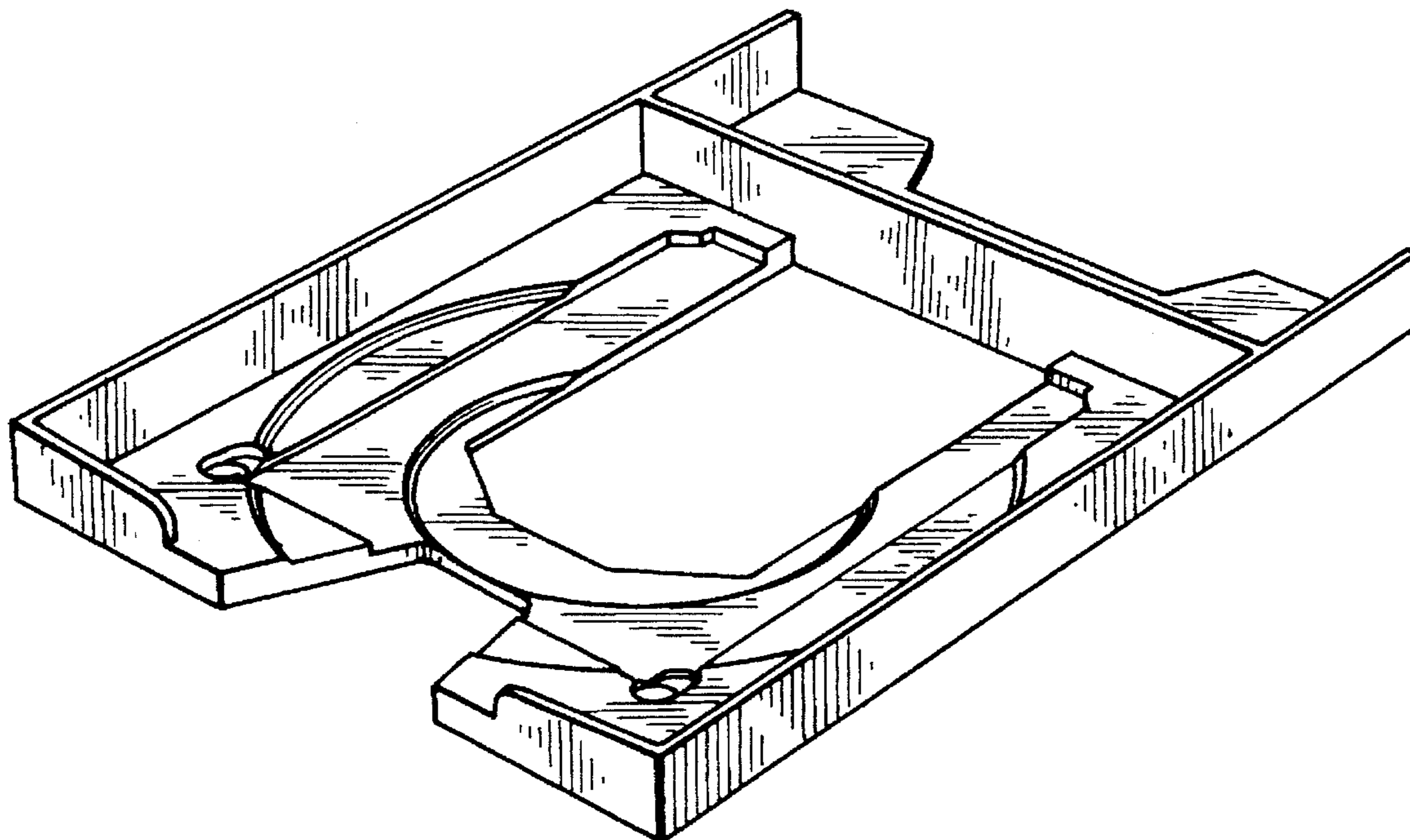


FIG. 1

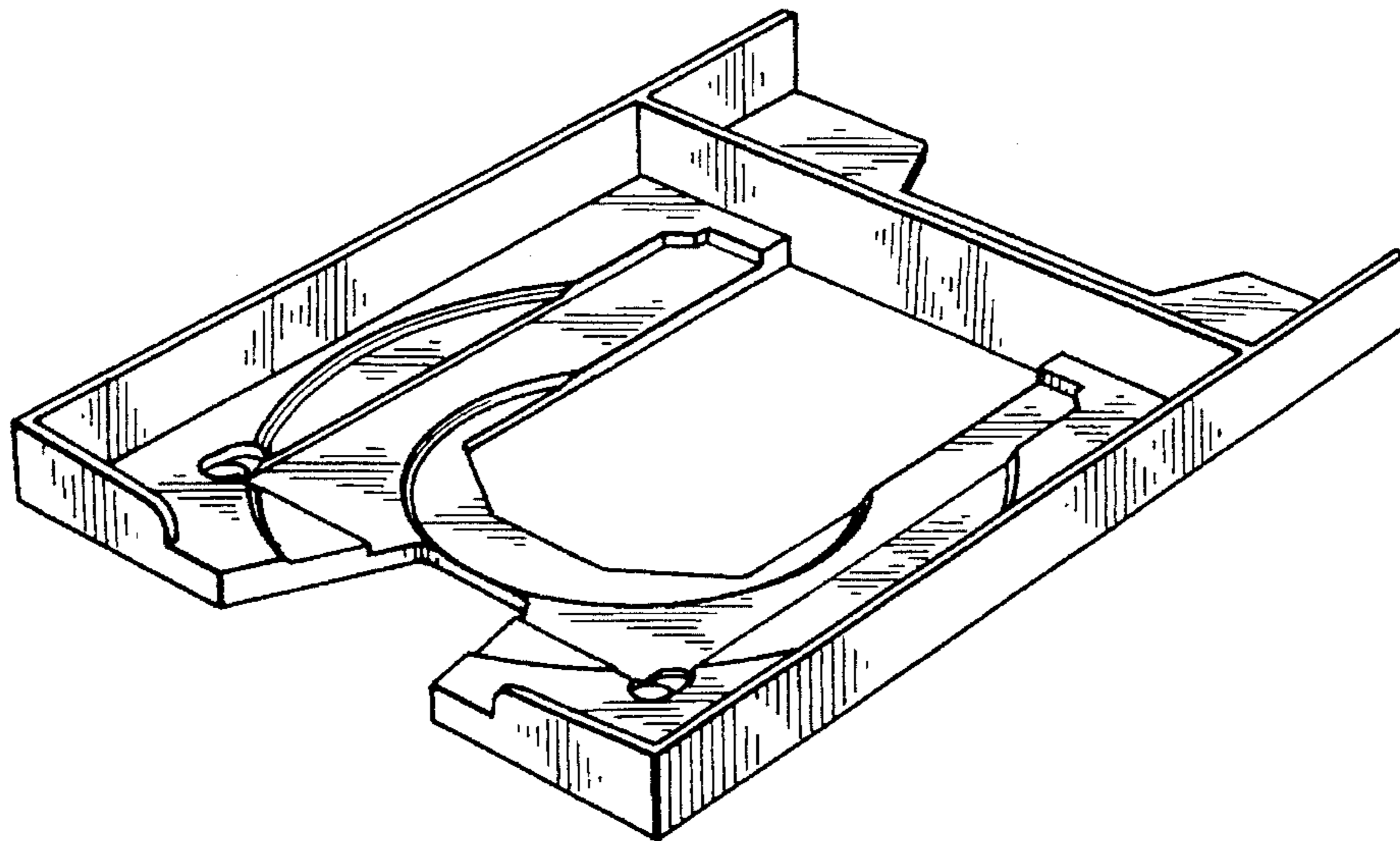


FIG. 2



FIG. 3

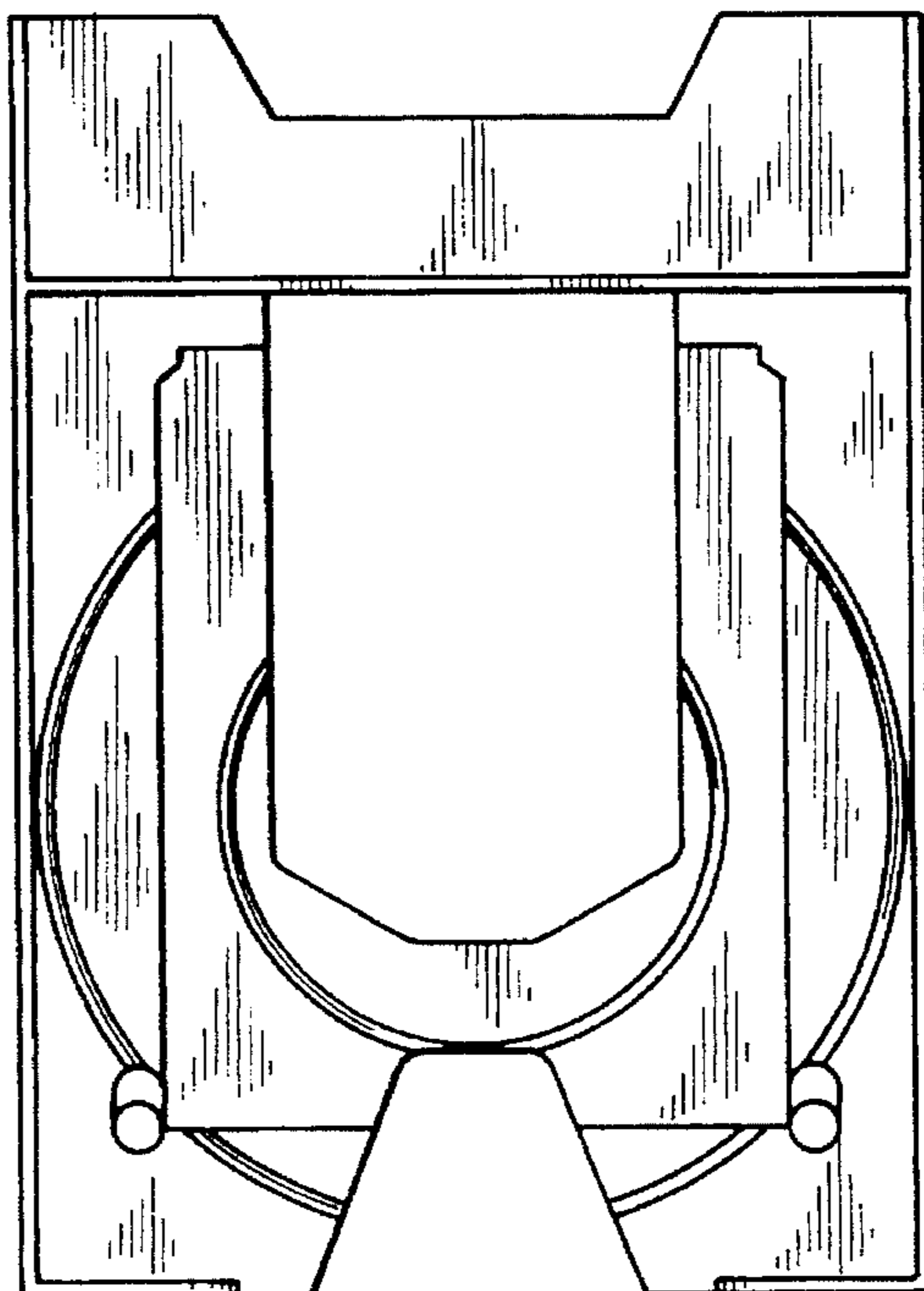


FIG. 4



FIG. 5



FIG. 6



FIG. 7

