



US00D367275S

# United States Patent [19]

Ito et al.

[11] Patent Number: **Des. 367,275**

[45] Date of Patent: **\*\*Feb. 20, 1996**

[54] **COMBINED AMPLIFIER AND RADIO TUNER**

[75] Inventors: **Masafumi Ito; Minoru Sube; Haruki Takita; Hiroyuki Watanabe**, all of Musashino, Japan

[73] Assignee: **Teac Corporation**, Tokyo, Japan

[\*\*] Term: **14 Years**

[21] Appl. No.: **29,129**

[22] Filed: **Sep. 29, 1994**

[52] U.S. Cl. .... **D14/188**

[58] Field of Search ..... D14/124, 137, D14/155, 160-168, 188-198, 265, 299; 455/344, 347, 350-351

### [56] References Cited

#### U.S. PATENT DOCUMENTS

- D. 243,794 3/1977 Mukai ..... D14/198
- D. 249,146 8/1978 Tabata ..... D14/198

- D. 269,615 7/1983 Nishiyama et al. .... D14/198
- D. 334,929 4/1993 Ito et al. .... D14/164
- D. 334,931 4/1993 Ito et al. .... D14/164

### OTHER PUBLICATIONS

Pioneer catalog, p. 18 Amplifier and radio tuners VSX-453, SX-303R, 4 SX-203.

*Primary Examiner*—Ted Shooman  
*Assistant Examiner*—Nanda Bondade  
*Attorney, Agent, or Firm*—Michael N. Meller

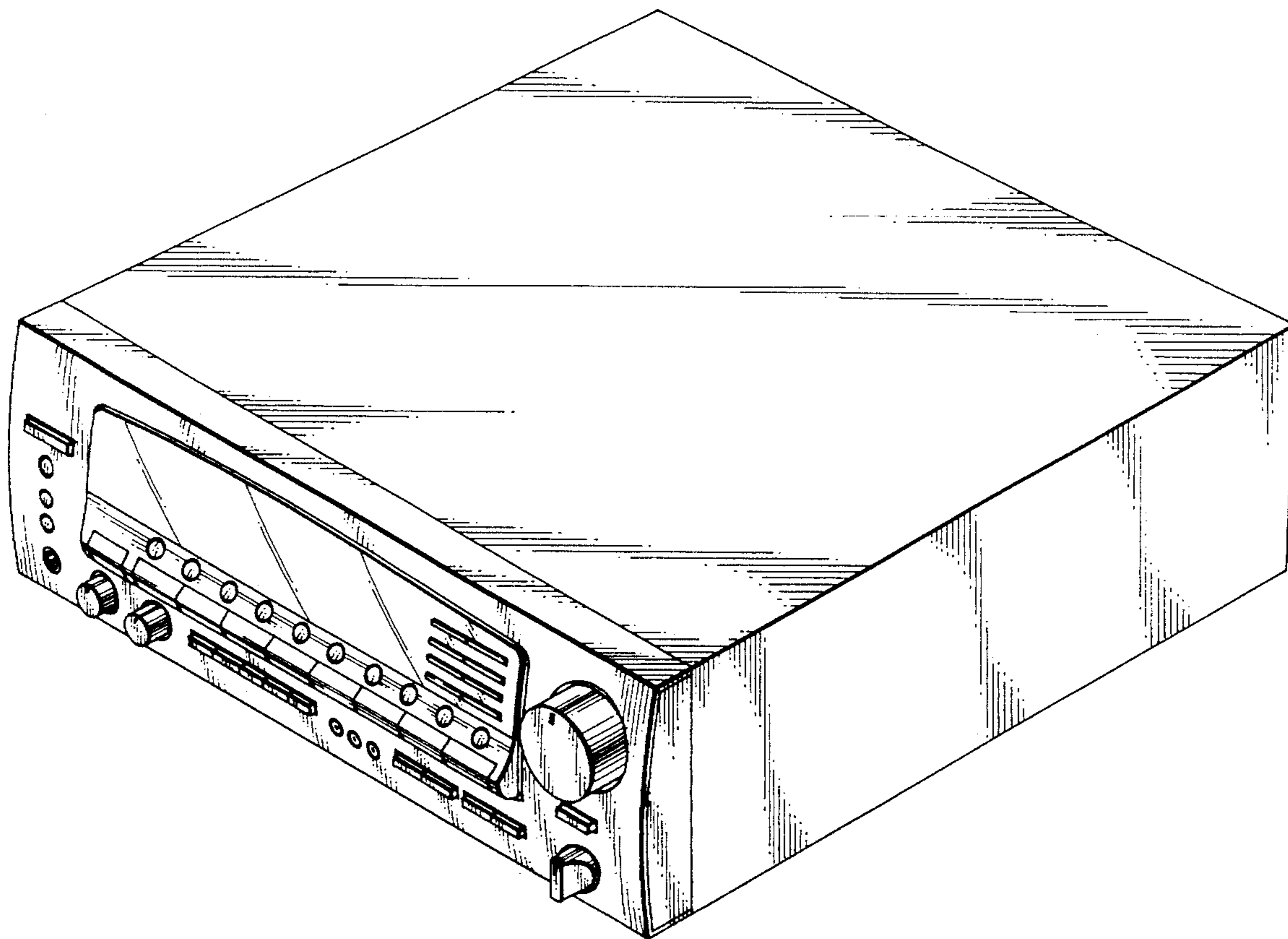
### [57] CLAIM

The ornamental design for a combined amplifier and radio tuner, as shown and described.

### DESCRIPTION

FIG. 1 is a front, right side and top perspective view of a combined amplifier and radio tuner showing our new design; and  
FIG. 2 is a rear, left side and bottom perspective view thereof;

**1 Claim, 2 Drawing Sheets**



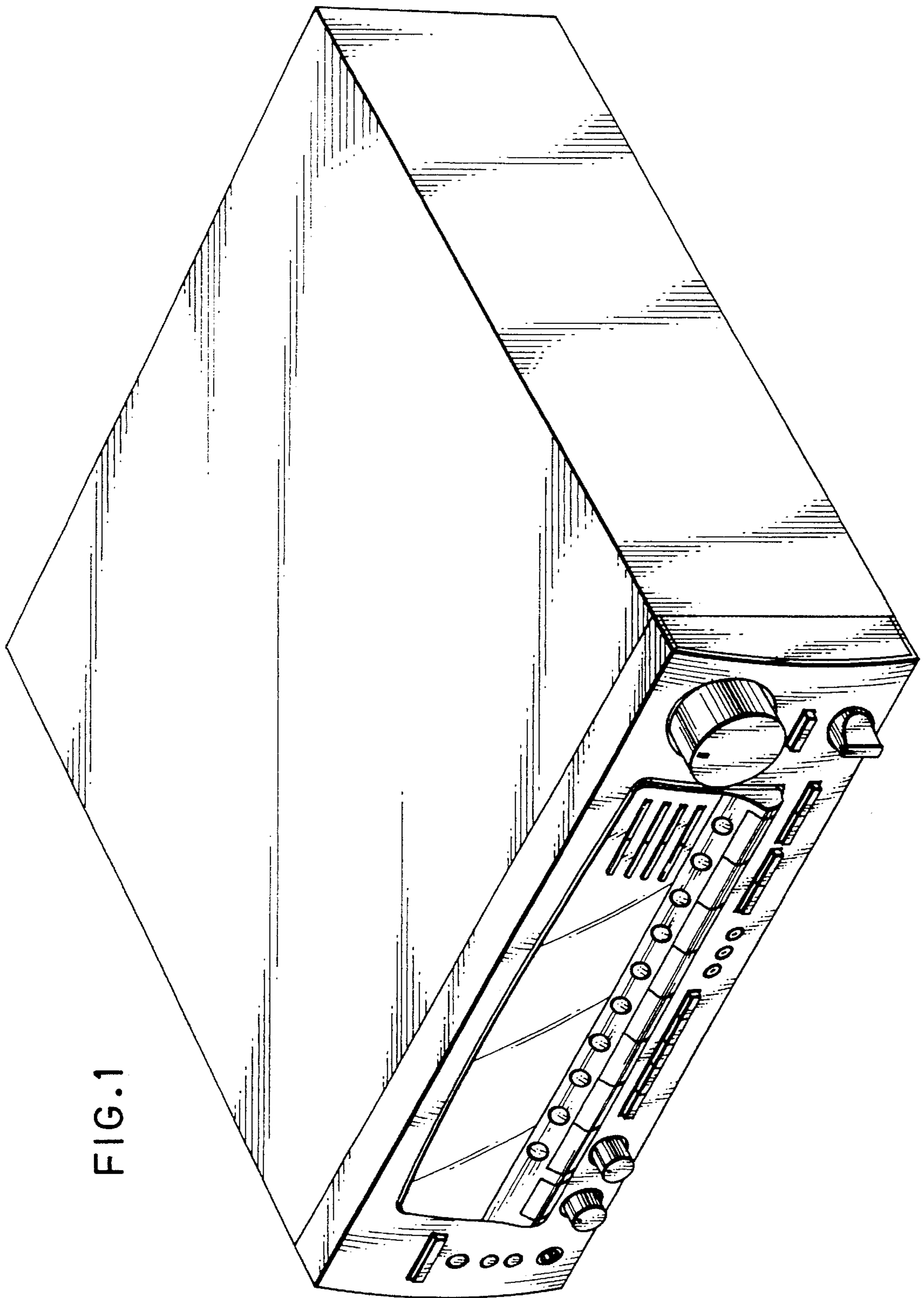


FIG.1

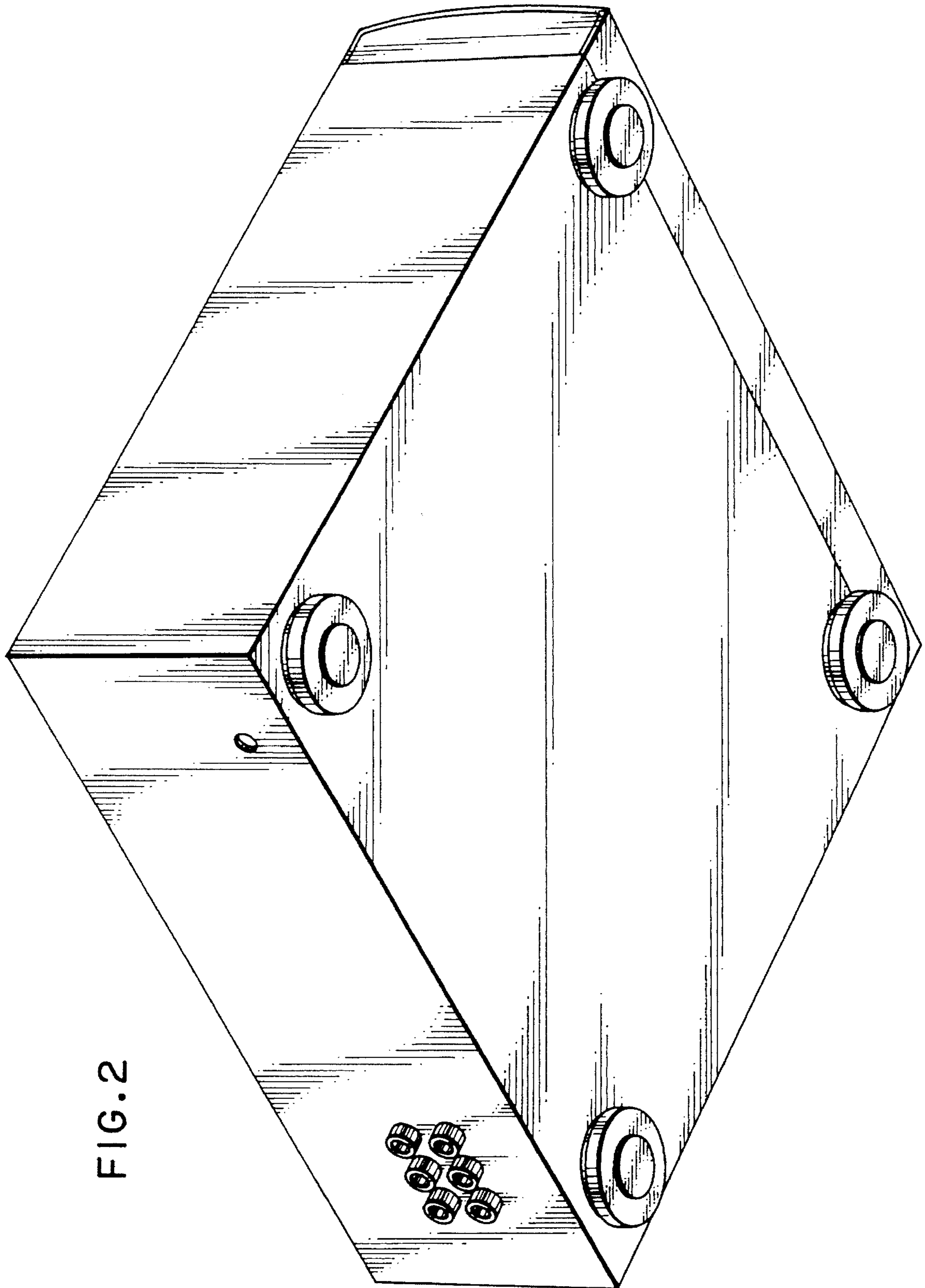


FIG. 2