



US00D367271S

# United States Patent [19]

Roberts

[11] Patent Number: **Des. 367,271**

[45] Date of Patent: **\*\*Feb. 20, 1996**

[54] **MONITOR HOUSING WITH MOUNTING BRACKET**

[75] Inventor: **Simon V. Roberts**, Stockport, England

[73] Assignee: **Texecom, Inc.**, Orlando, Fla.

[\*\*] Term: **14 Years**

[21] Appl. No.: **36,908**

[22] Filed: **Mar. 30, 1995**

[52] U.S. Cl. .... **D14/113; D8/373**

[58] Field of Search ..... D14/100, 113, D14/101, 106, 124-129; D8/373; 248/317, 917-924, 278, 298, 324, 333; 345/104, 133, 156, 168, 173, 87, 901-905; 358/249, 254, 255

[56] **References Cited**

**U.S. PATENT DOCUMENTS**

|            |         |             |       |         |   |
|------------|---------|-------------|-------|---------|---|
| D. 296,770 | 7/1988  | Lloyd       | ..... | D14/113 | X |
| D. 306,158 | 2/1990  | Ashihara    | ..... | D14/113 |   |
| 4,836,478  | 6/1989  | Sweere      | ..... | 248/920 | X |
| 4,964,606  | 10/1990 | Beam et al. | ..... | 248/919 | X |
| 5,139,223  | 8/1992  | Sedighzadeh | ..... | 248/921 | X |
| 5,288,049  | 2/1994  | Hays        | ..... | 248/917 | X |
| 5,400,993  | 3/1995  | Hamilton    | ..... | 248/919 | X |

**FOREIGN PATENT DOCUMENTS**

|         |         |                |   |
|---------|---------|----------------|---|
| 1087844 | 10/1967 | United Kingdom | . |
| 8103197 | 12/1981 | WIPO           | . |
| 8800801 | 2/1988  | WIPO           | . |

Primary Examiner—Freda Nunn  
Attorney, Agent, or Firm—Edward M. Livingston

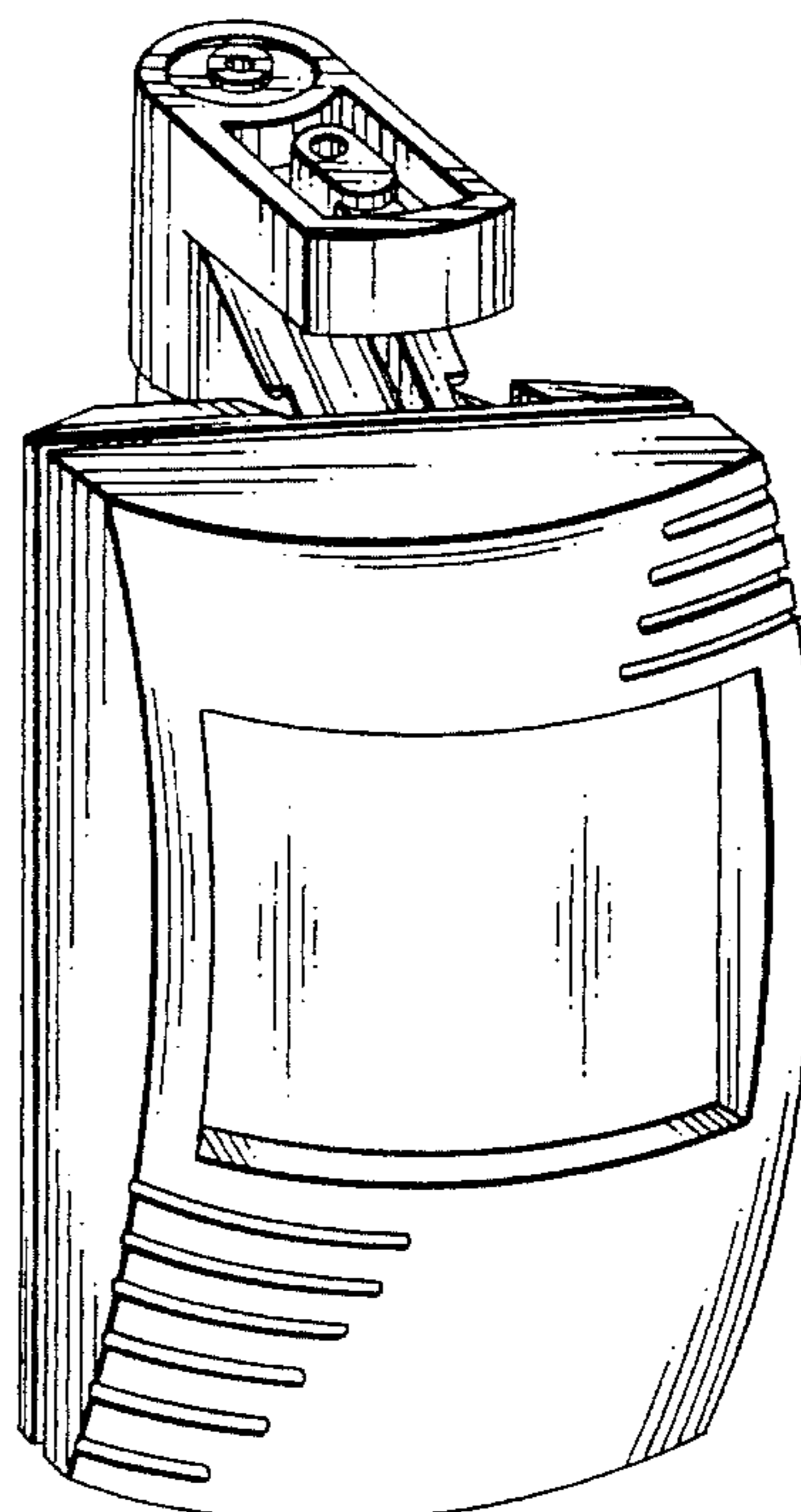
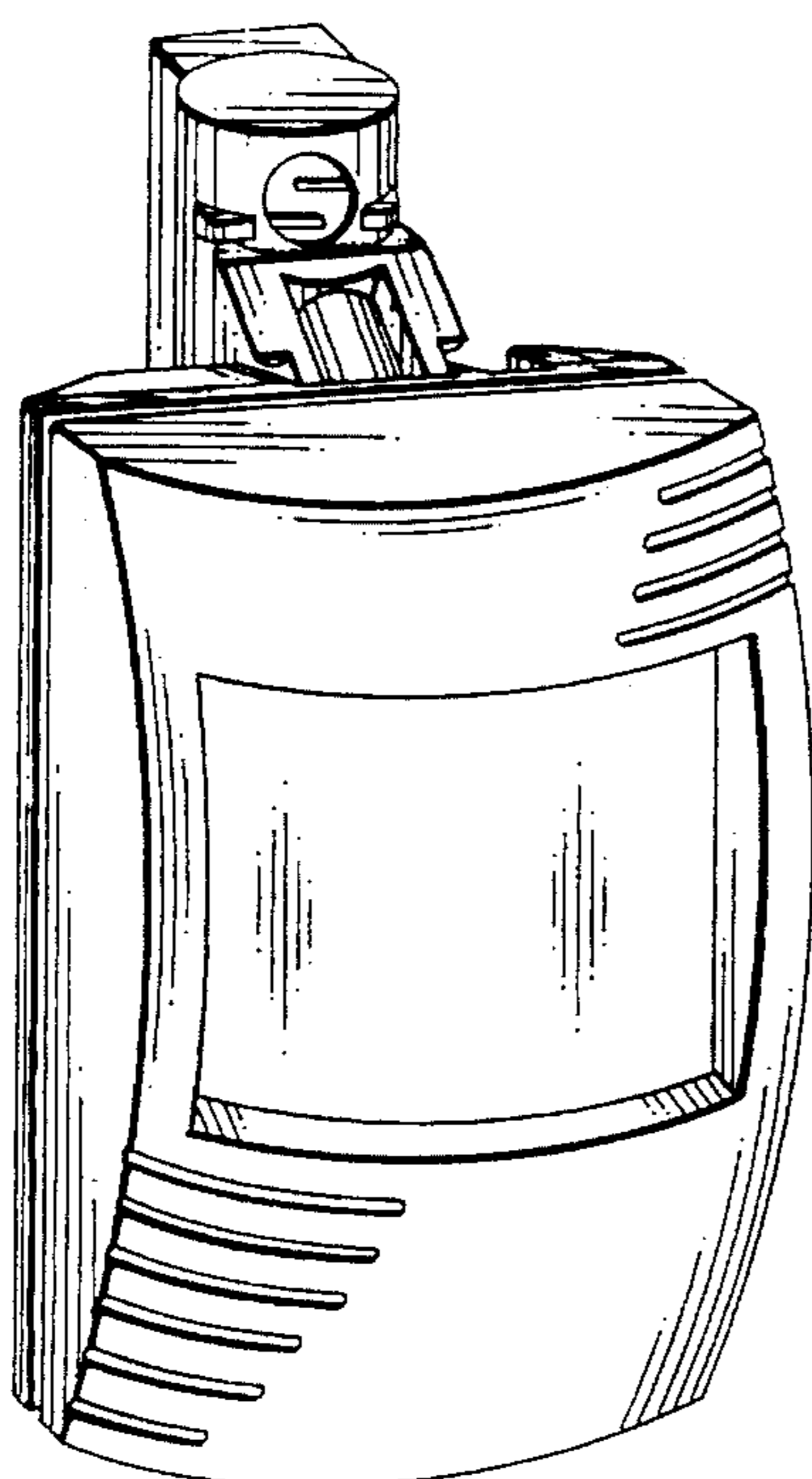
[57] **CLAIM**

The ornamental design for a monitor housing with mounting bracket, as shown and described.

**DESCRIPTION**

FIG. 1 is a front top and side perspective view of the monitor housing with mounting bracket wherein the monitor is shown separately for clarity of illustration only; FIG. 2 is an opposite elevation side view of the monitor; FIG. 3 is a rear elevation view of the monitor; FIG. 4 is a top plan view of the monitor; and, FIG. 5 is a bottom plan view of the monitor; FIG. 6 is a front top and side perspective view of the monitor wherein the monitor is shown with a wall mounting bracket; FIG. 7 is a rear elevation view of the monitor with wall mounting bracket; FIG. 8 is a an opposite elevation side view of the monitor with a wall mounting bracket; FIG. 9 is a top plan view of the monitor with a wall mounting bracket; FIG. 10 is a bottom plan view of the monitor with a wall mounting bracket; FIG. 11 is a front top and side perspective view of the monitor wherein the monitor is shown with a modified ceiling mounting bracket; FIG. 12 is a rear elevation view of the monitor with ceiling mounting bracket; FIG. 13 is an opposite elevation side view of the monitor with a ceiling mounting bracket; FIG. 14 is a top plan view of the monitor with a ceiling mounting bracket; FIG. 15 is a bottom plan view of the monitor with a ceiling mounting bracket.

**1 Claim, 3 Drawing Sheets**



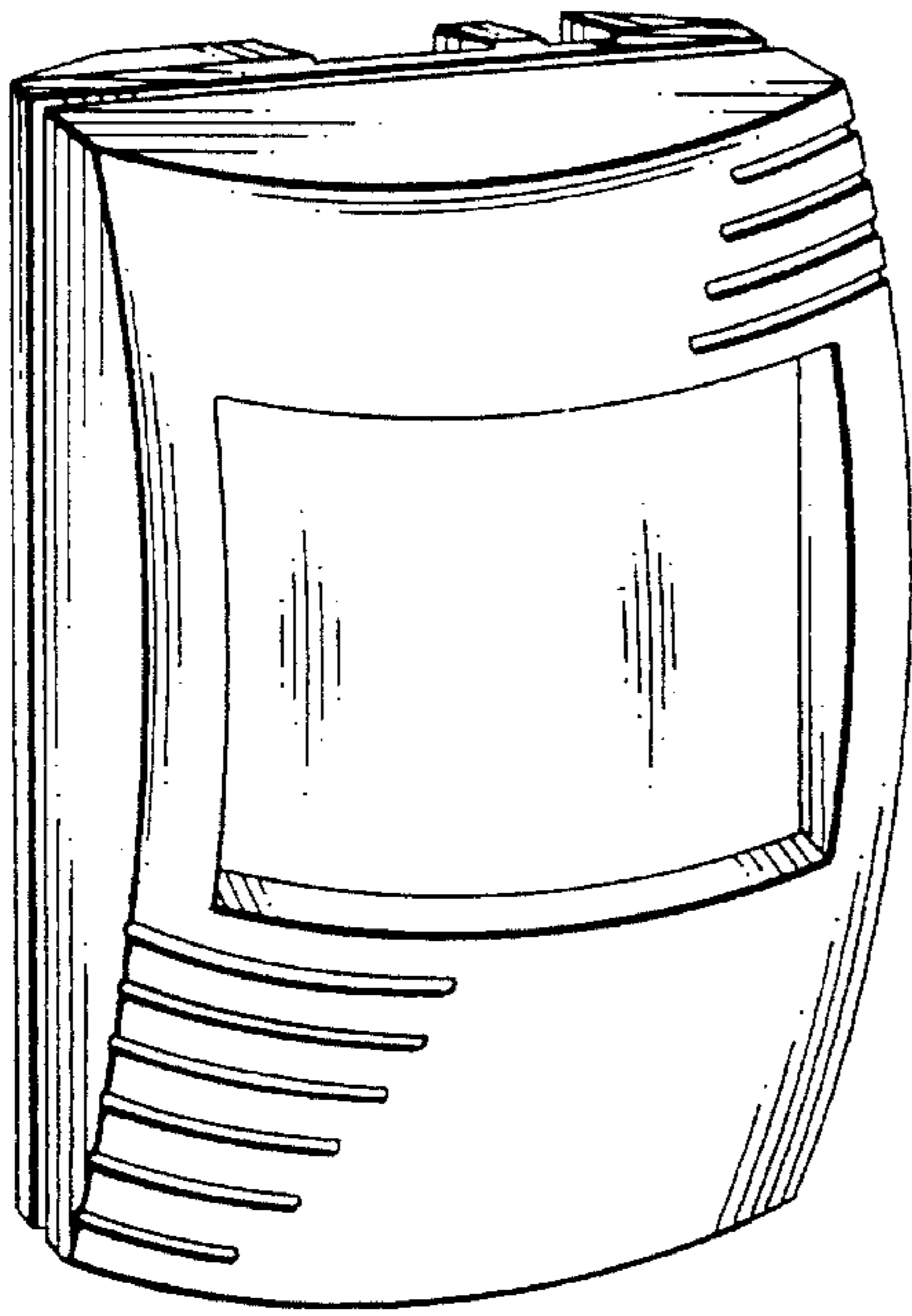


FIG. 1

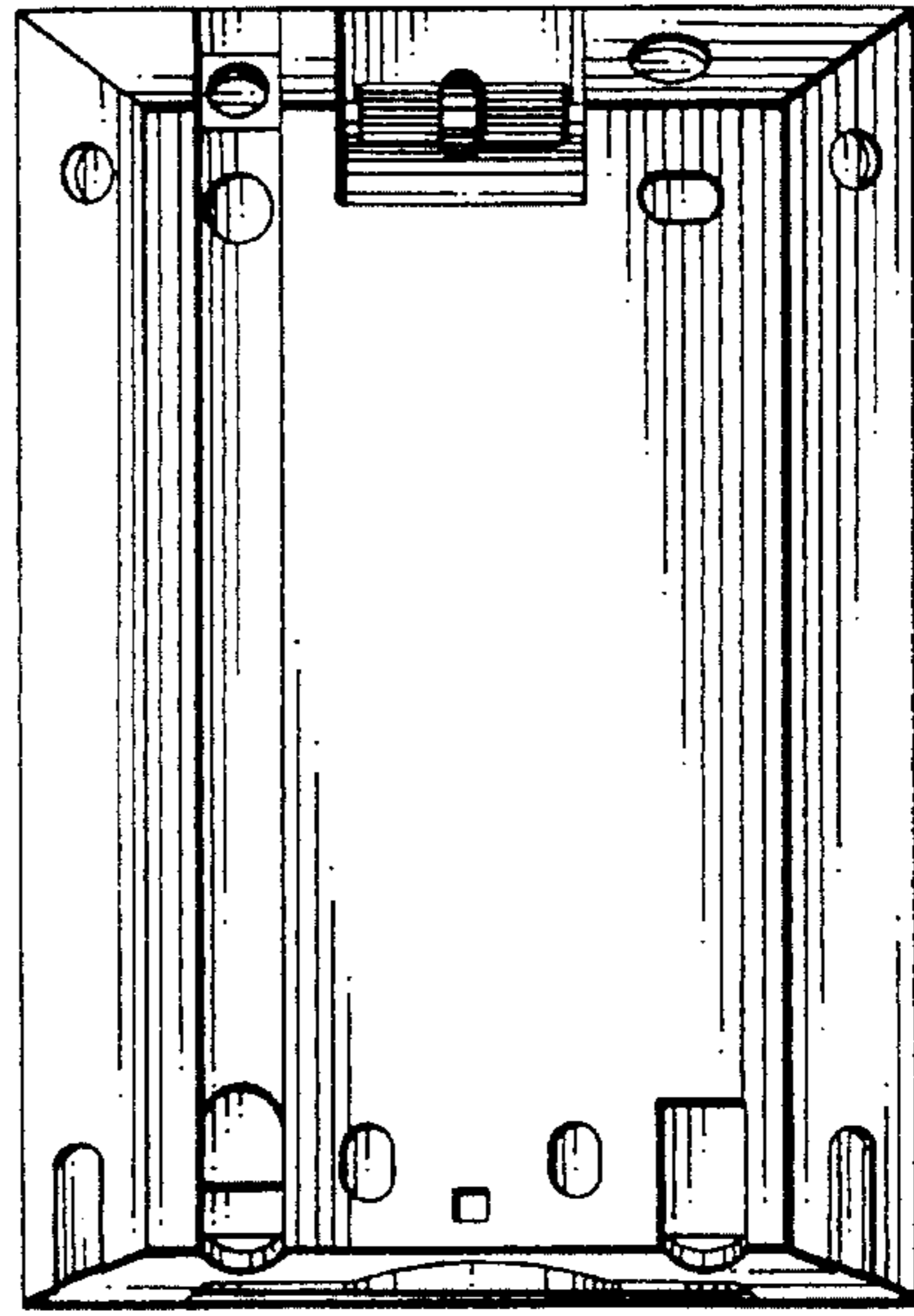


FIG. 3

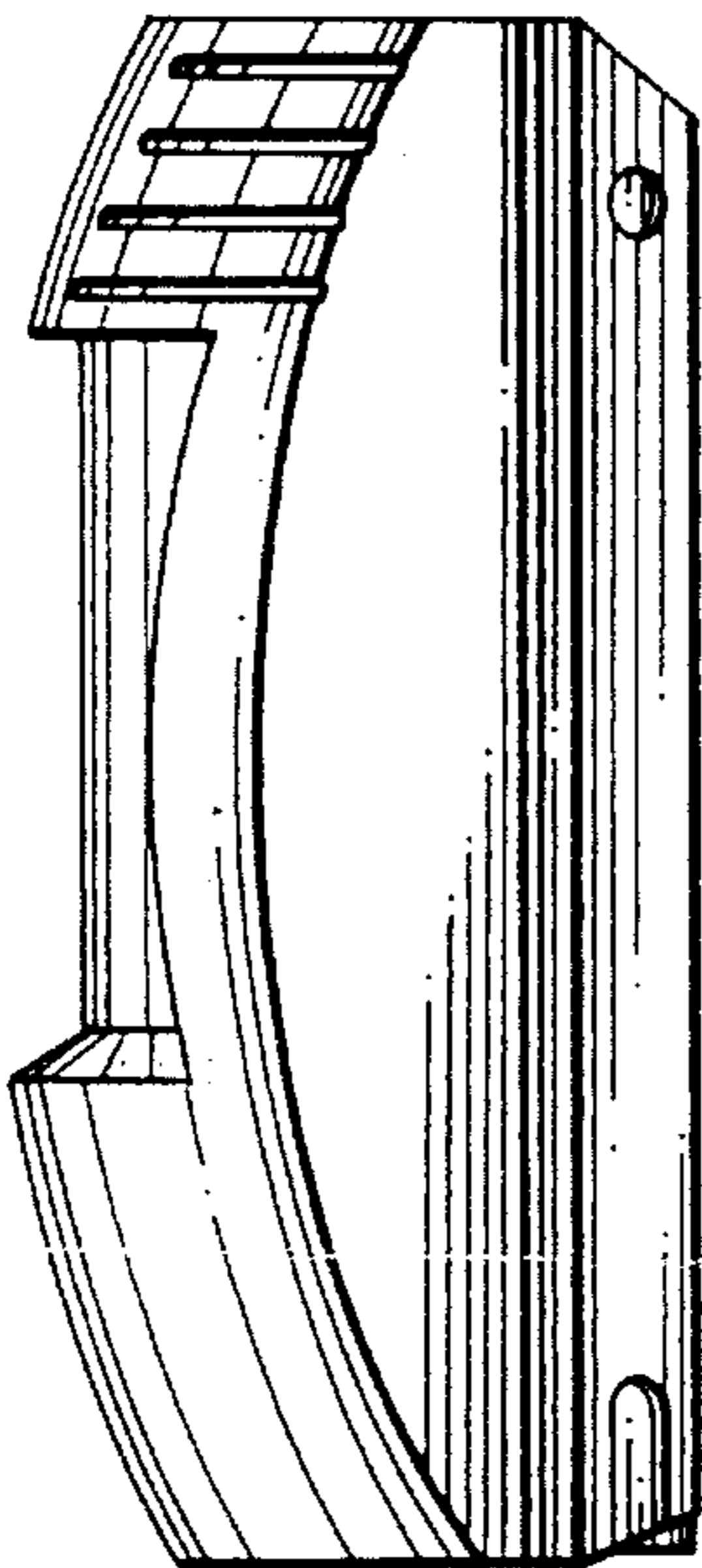


FIG. 2

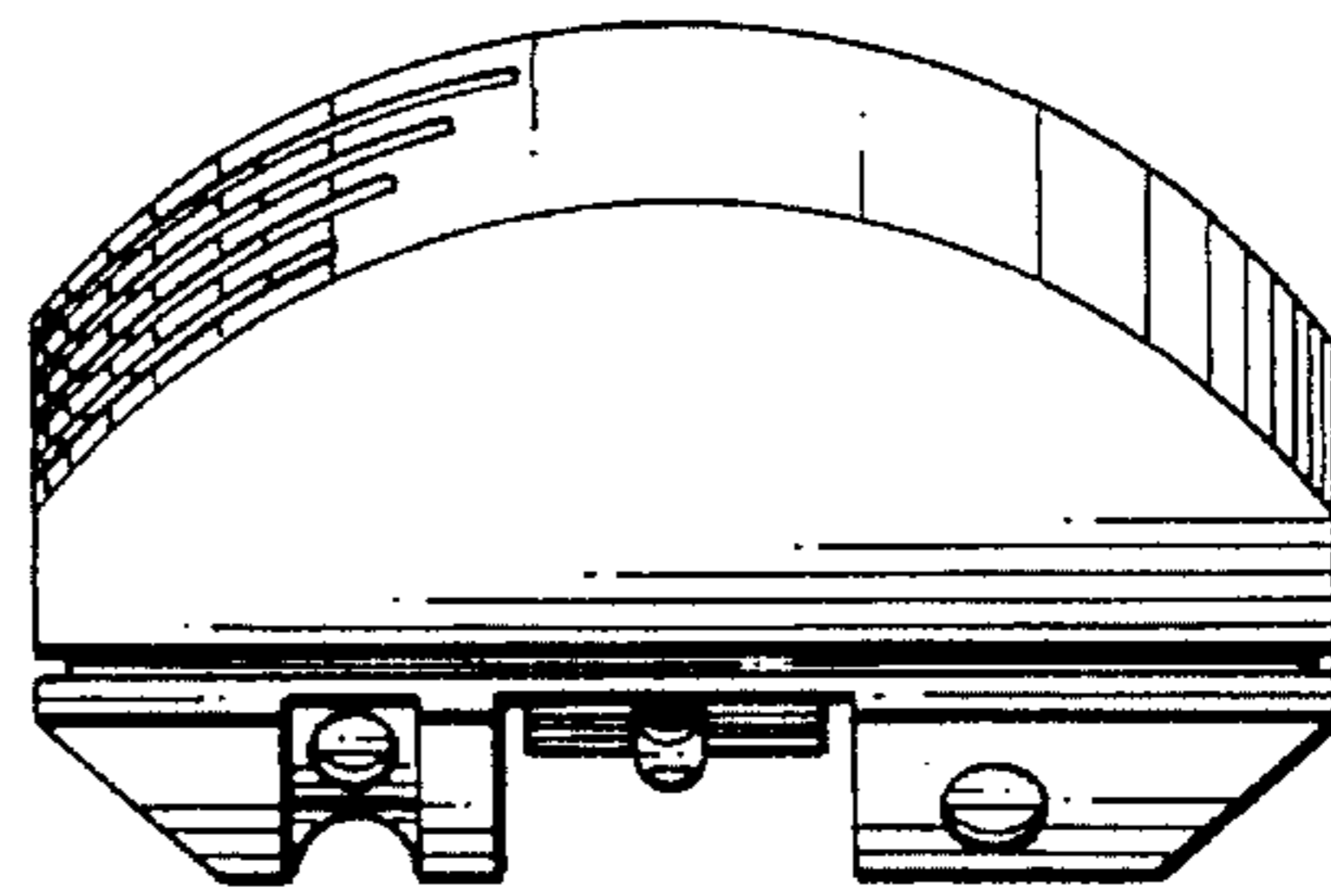


FIG. 4

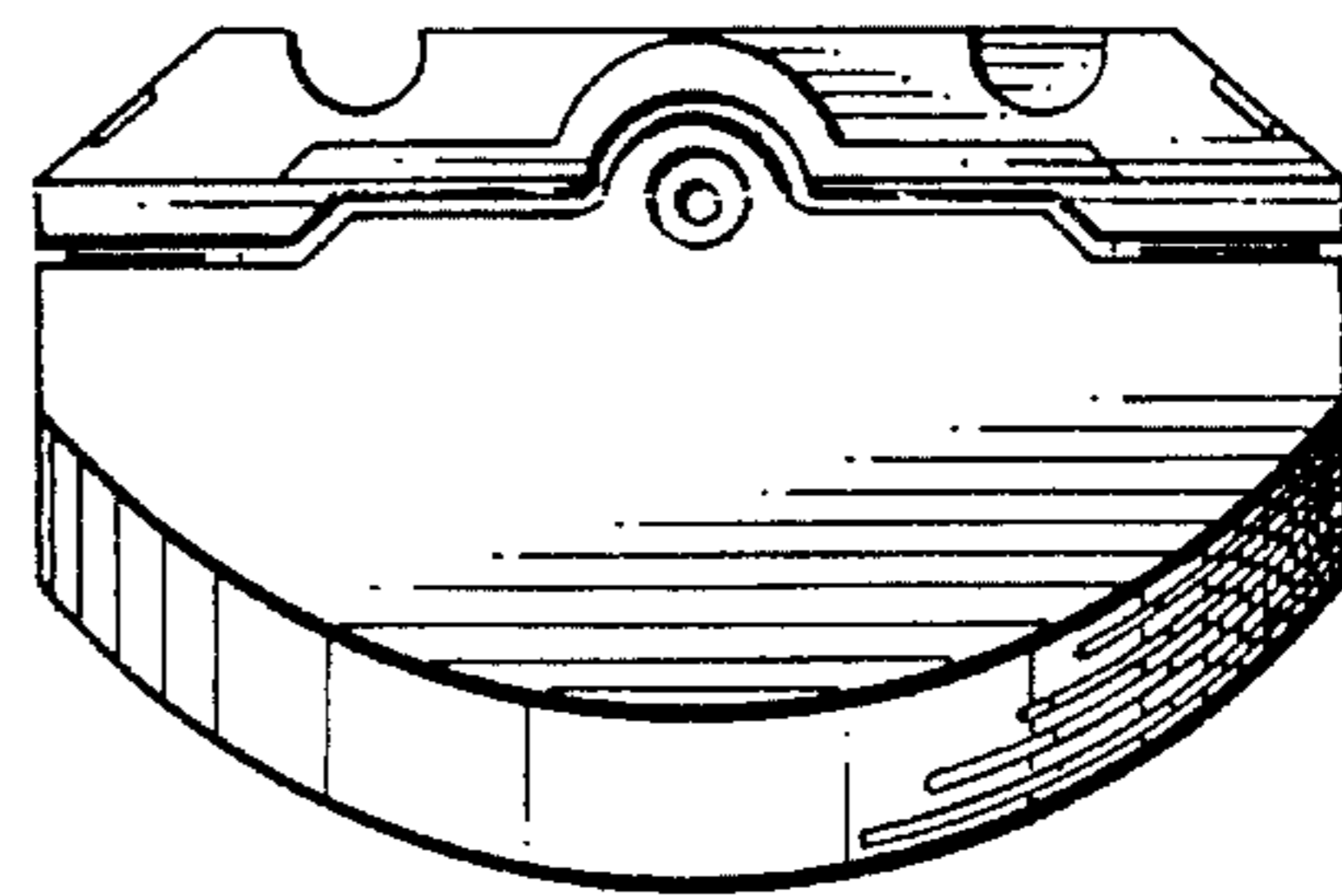


FIG. 5

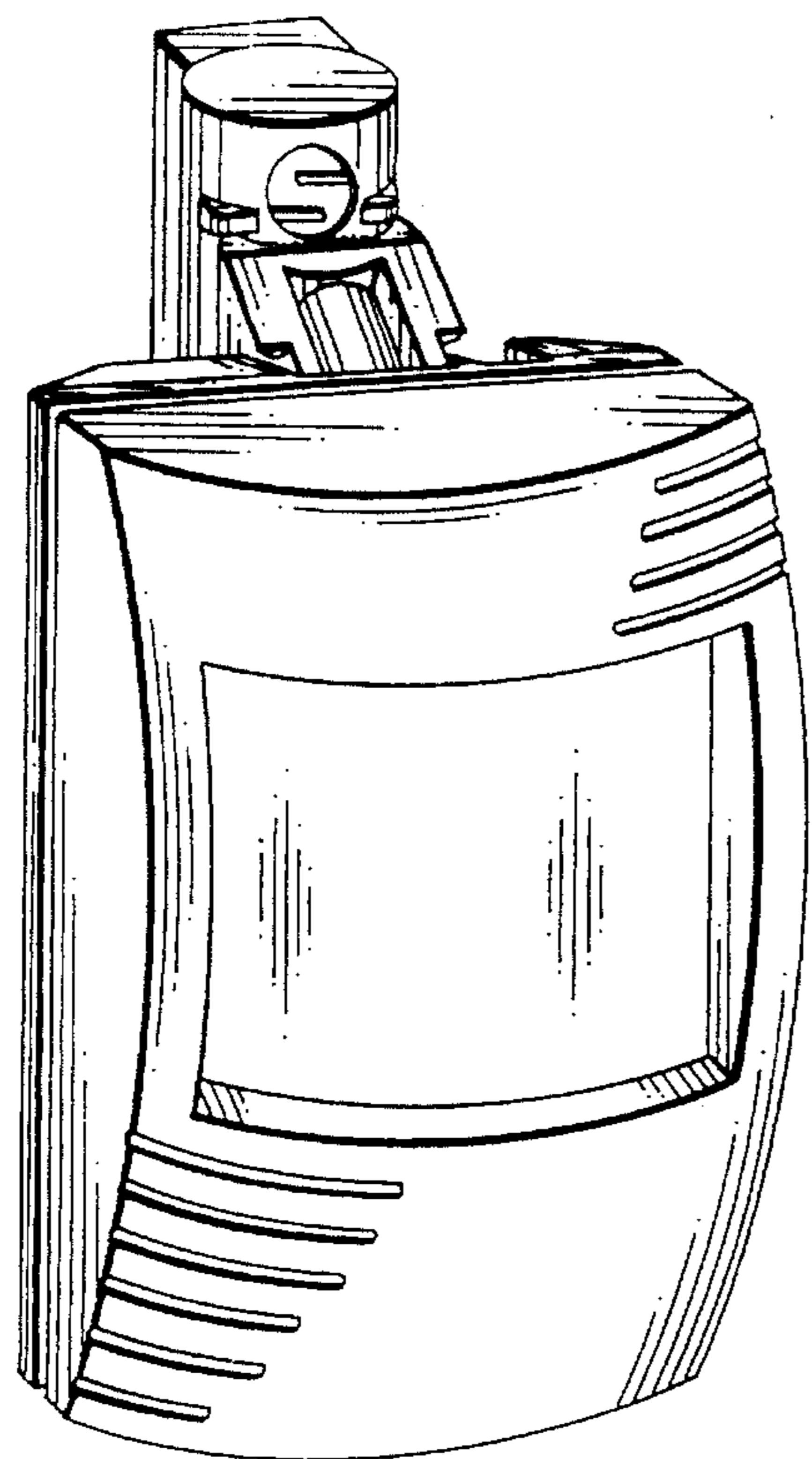


FIG. 6

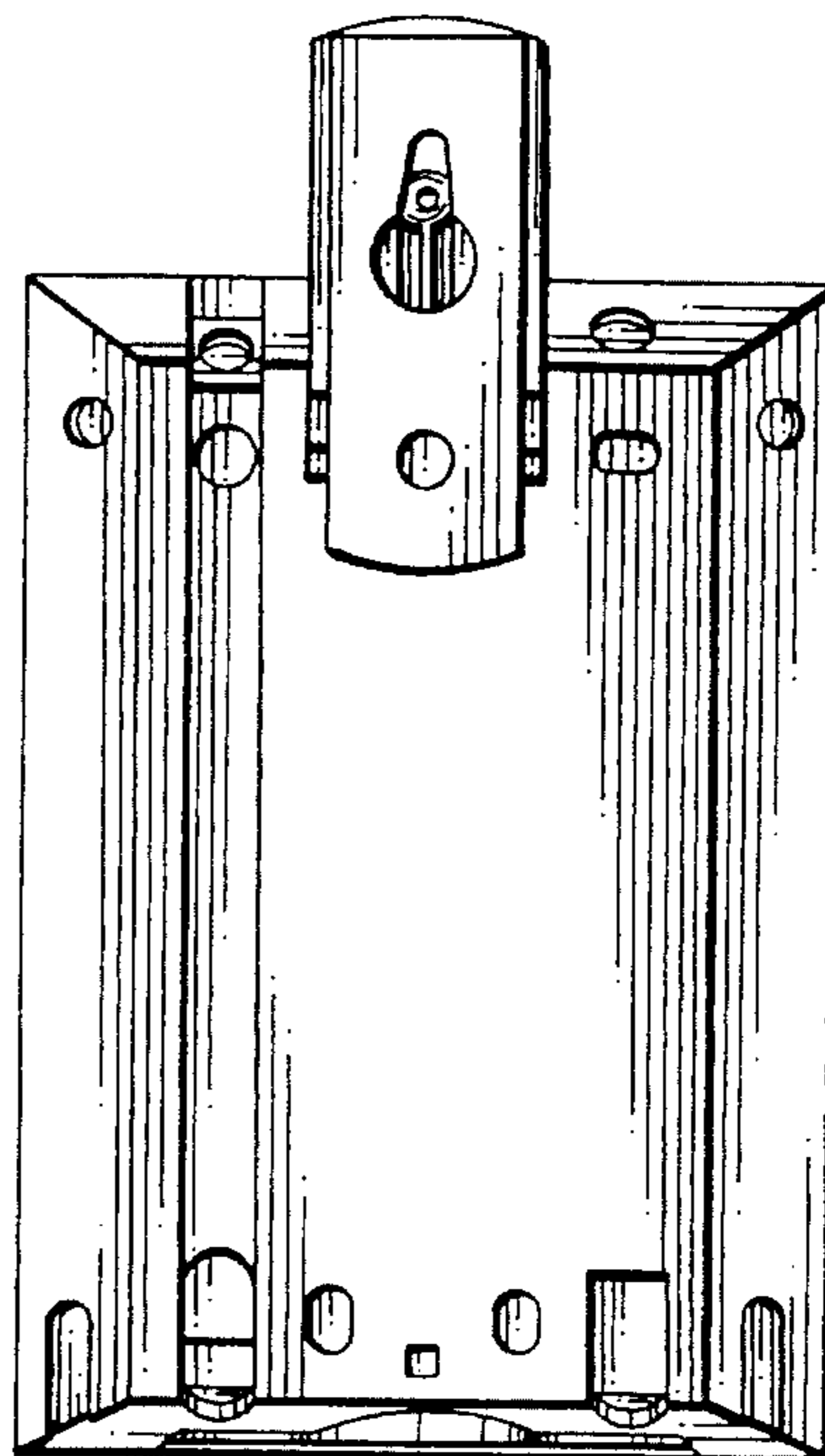


FIG. 7

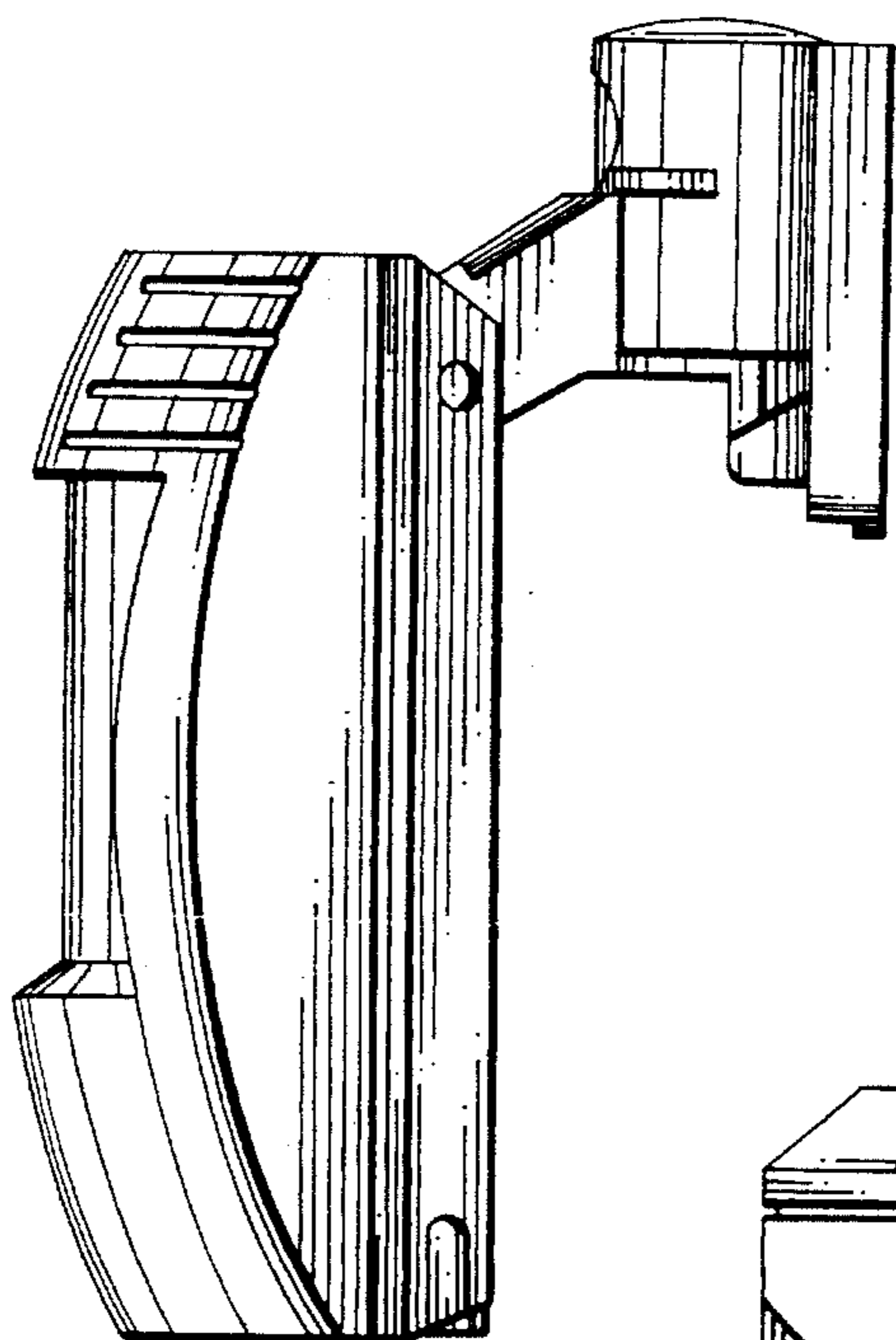


FIG. 8

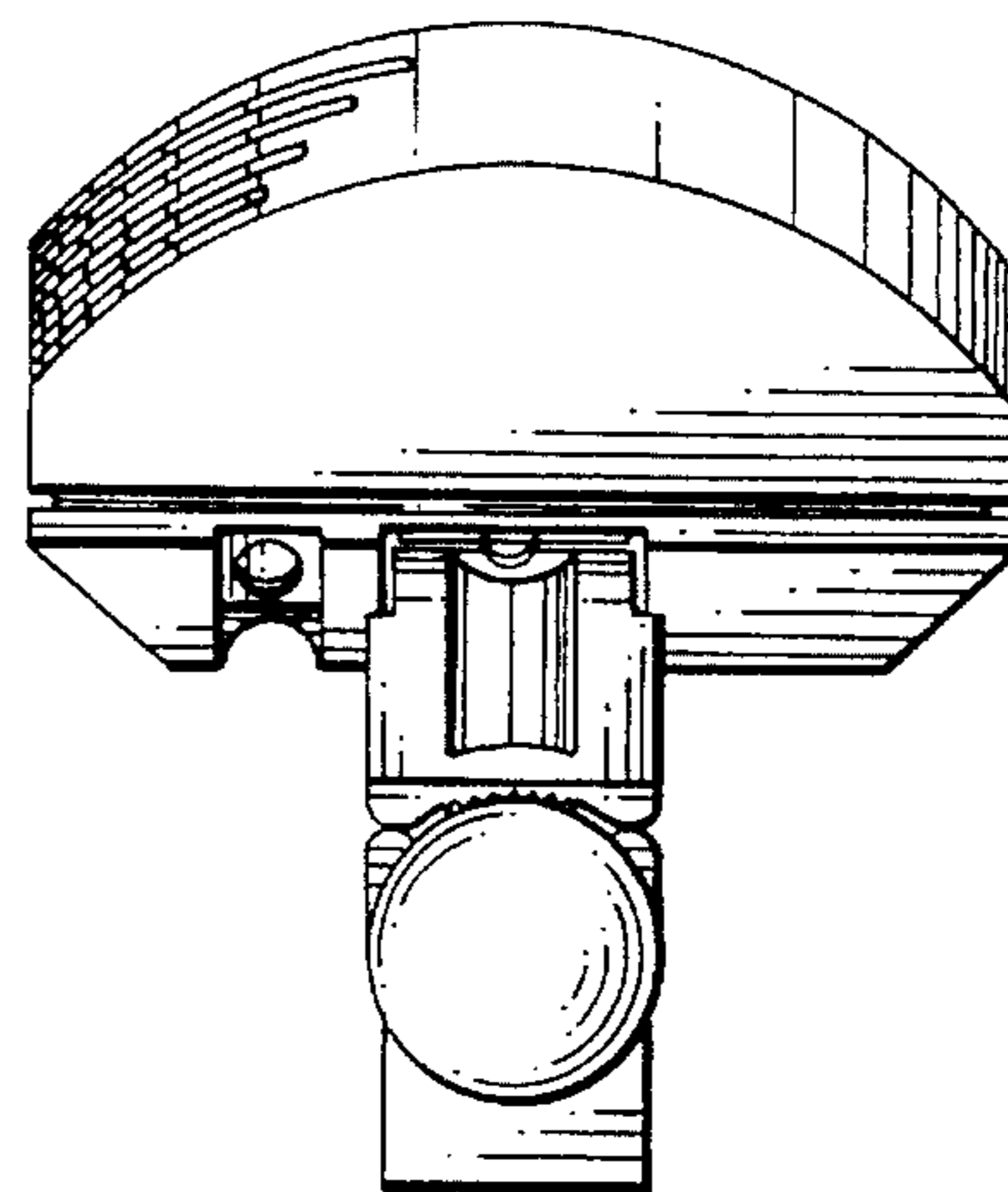


FIG. 9

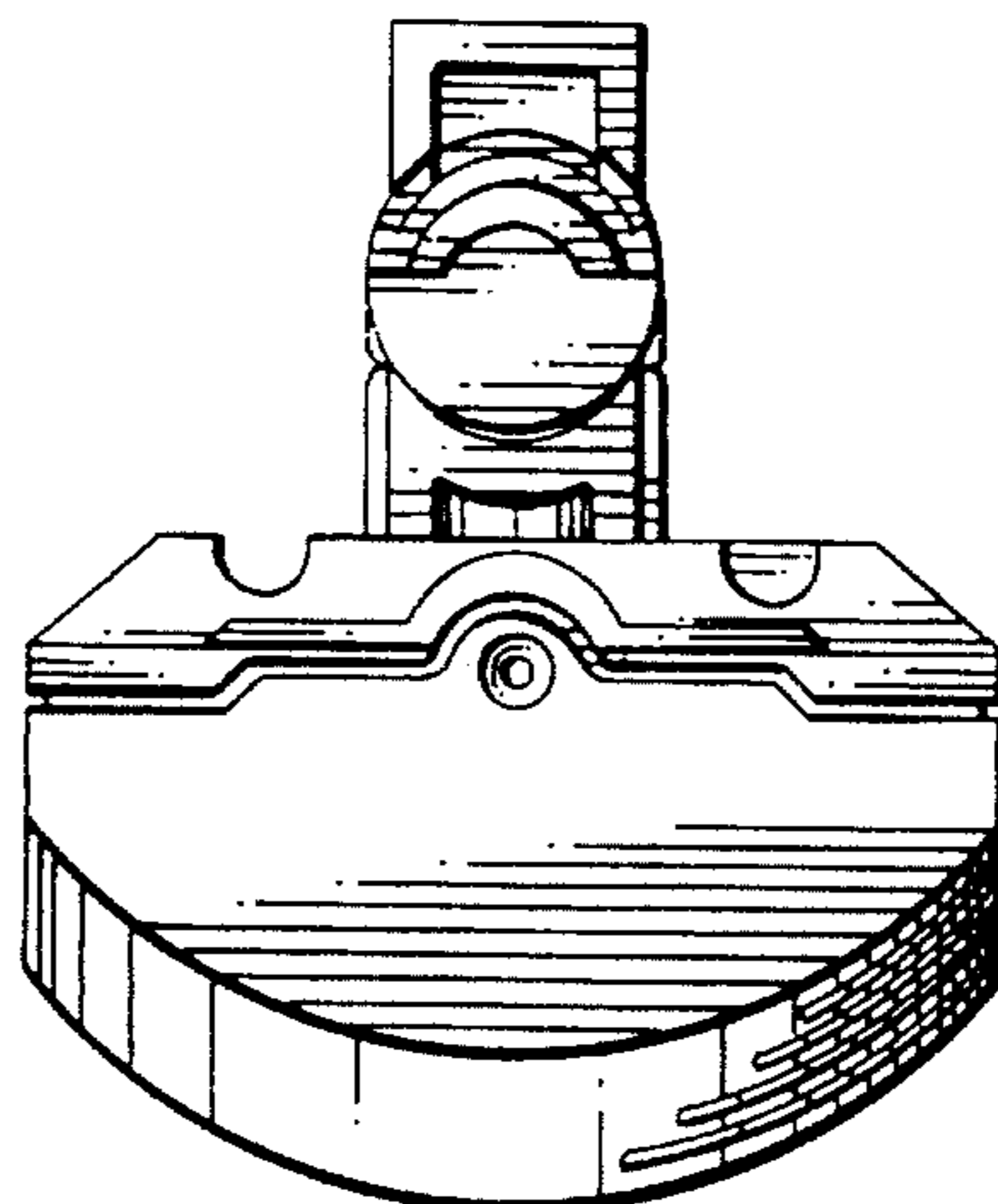


FIG. 10

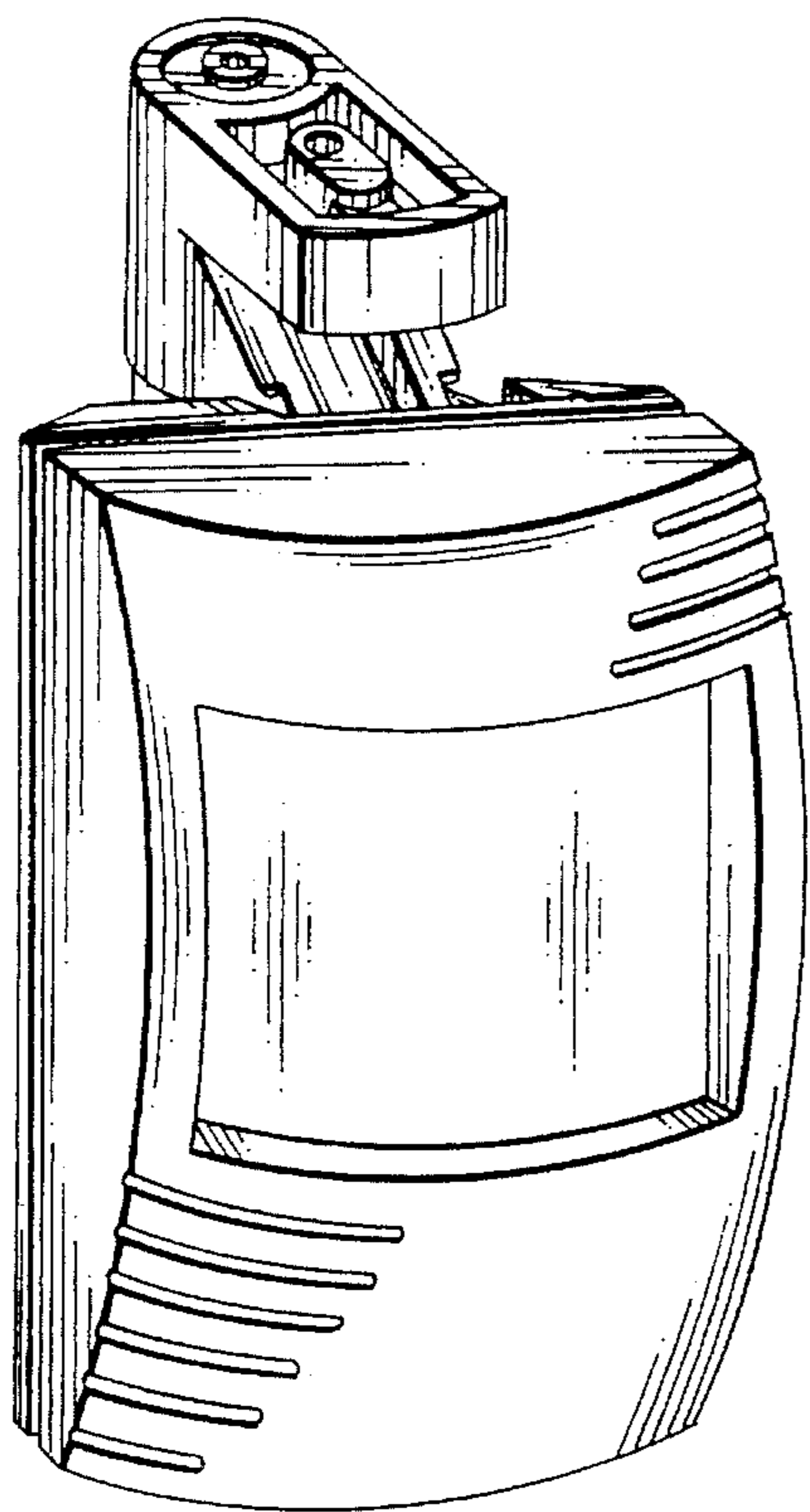


FIG. 11

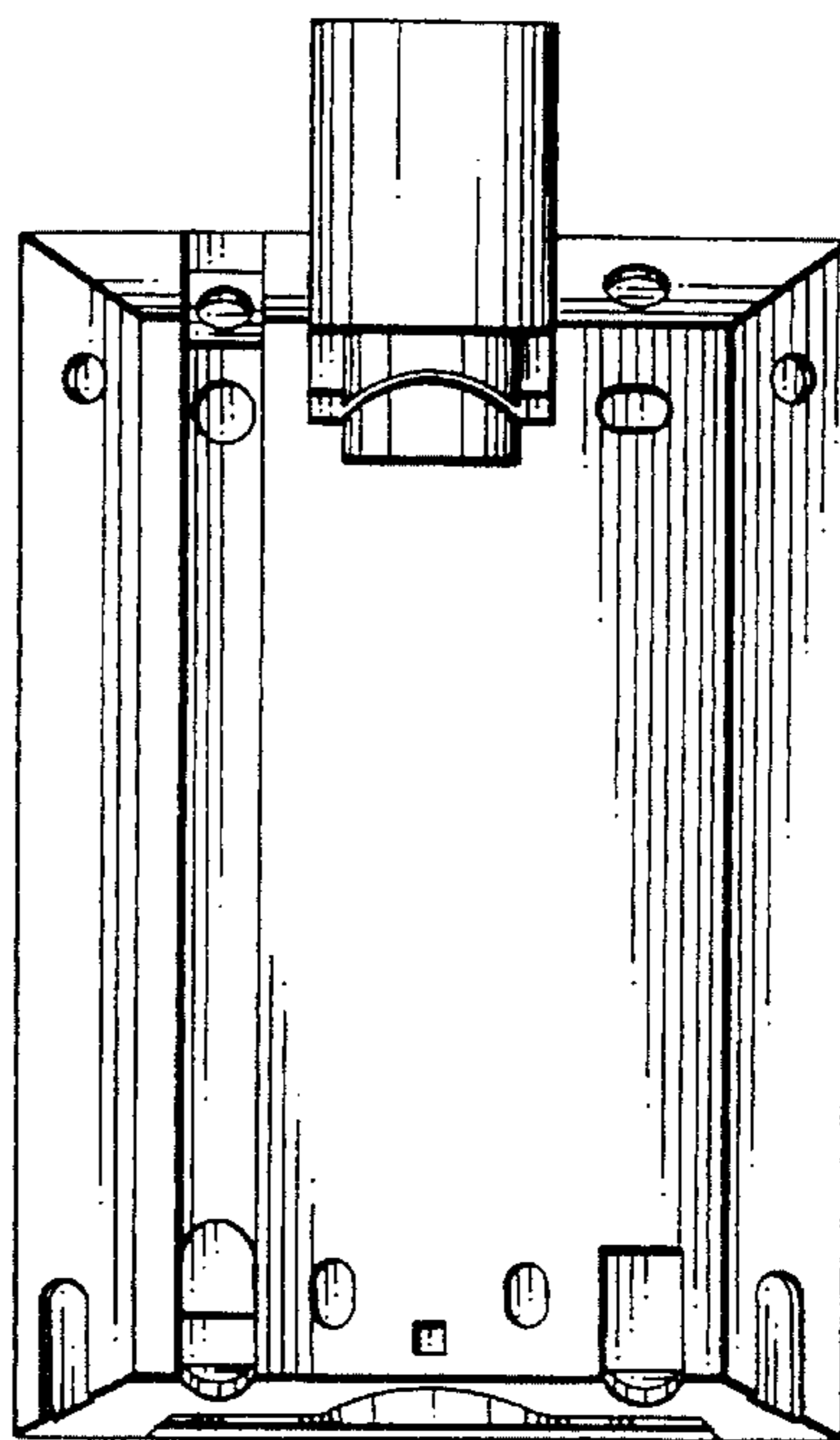


FIG. 12

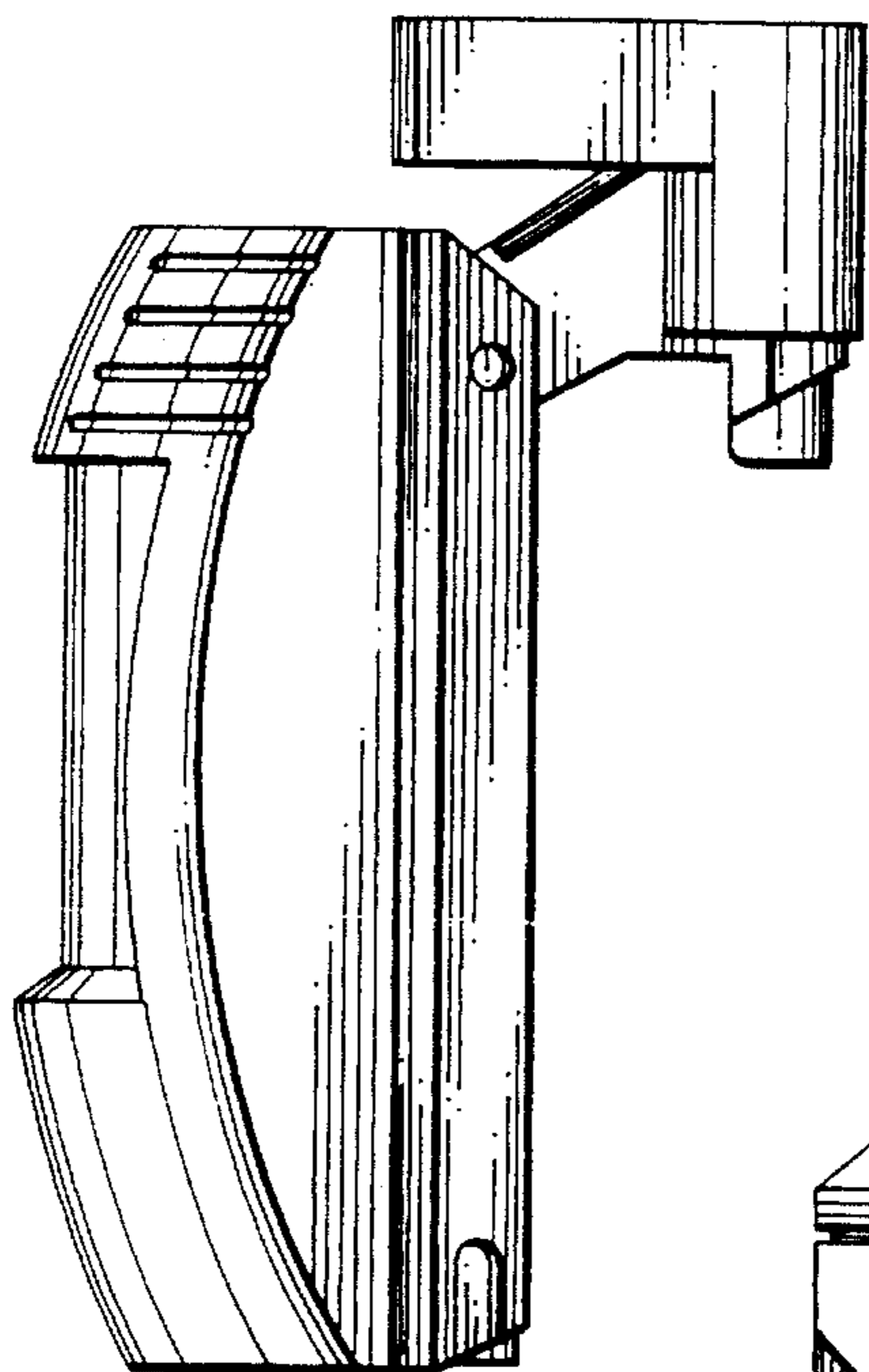


FIG. 13

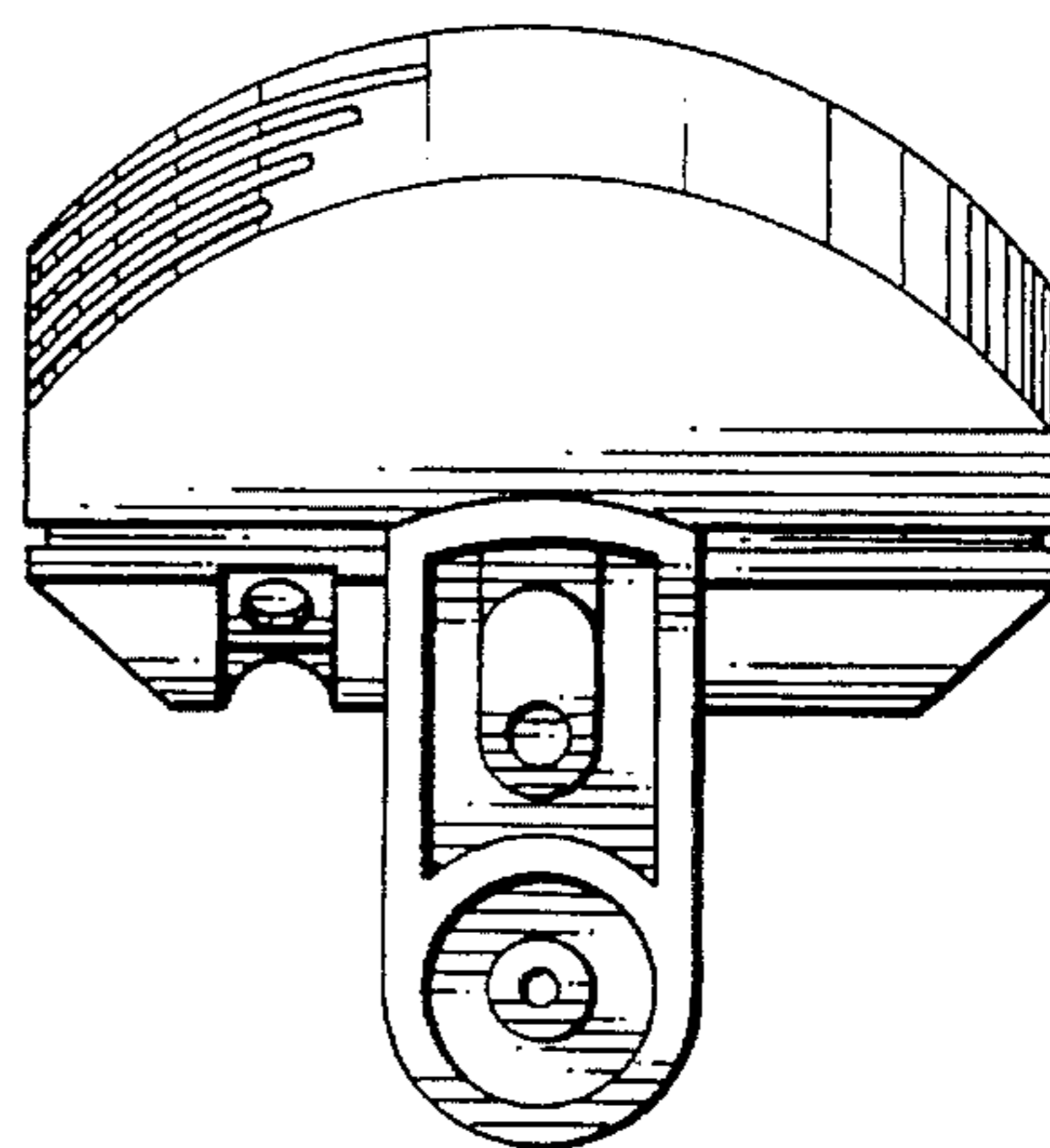


FIG. 14

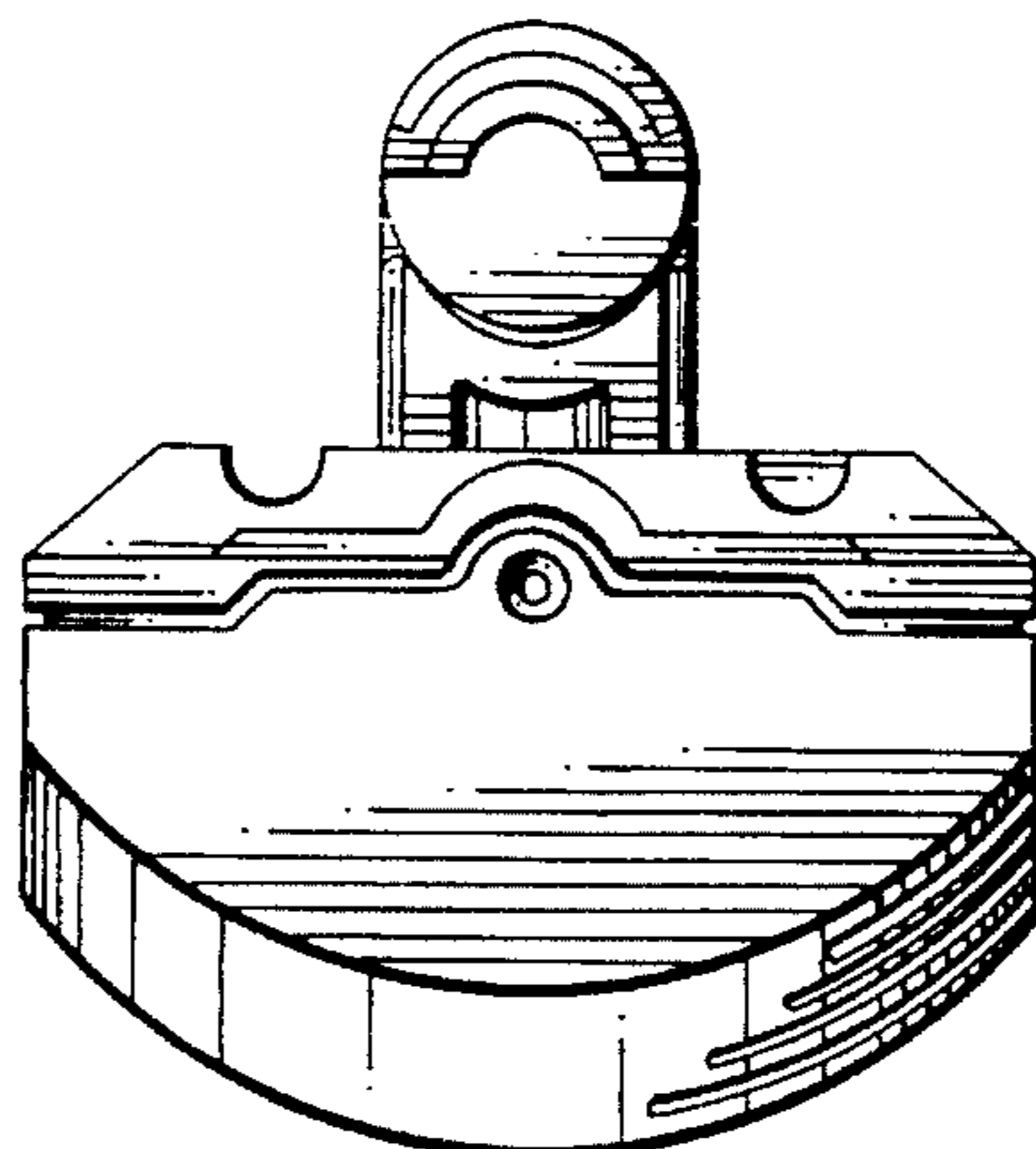


FIG. 15