



US00D367270S

United States Patent [19]
Levering

[11] **Patent Number: Des. 367,270**
[45] **Date of Patent: **Feb. 20, 1996**

[54] **IDENTIFICATION DEVICE**
[75] Inventor: **Donald R. Levering**, Orange, Calif.
[73] Assignee: **Comparator Systems Corporation**,
Newport Beach, Calif.
[**] Term: **14 Years**
[21] Appl. No.: **30,582**
[22] Filed: **Nov. 2, 1994**
[52] U.S. Cl. **D14/107; D14/105**
[58] **Field of Search** D14/100, 105,
D14/107; D18/7; 356/71; 382/124-126,
181; 283/69; 235/380, 382, 382.5; 354/80-82;
118/31.5

D. 308,364 6/1990 Beasley, Jr. et al. D14/100 X
D. 351,144 10/1994 Fishbine et al. D14/100 X
D. 354,745 1/1995 Lynn D14/107
5,193,855 3/1993 Shamos 382/124 X
5,195,145 3/1993 Backus et al. 382/126

Primary Examiner—Freda Nunn
Attorney, Agent, or Firm—Curt Harrington

[57] **CLAIM**

The ornamental design for a identification device, as shown and described.

DESCRIPTION

FIG. 1 is a top front perspective view of the identification device showing my new design;
FIG. 2 is a right side view thereof;
FIG. 3 is a bottom rear perspective view thereof; and,
FIG. 4 is a left side thereof.

[56] **References Cited**

U.S. PATENT DOCUMENTS

D. 244,395 5/1977 Garvey et al. D18/7 X

1 Claim, 1 Drawing Sheet

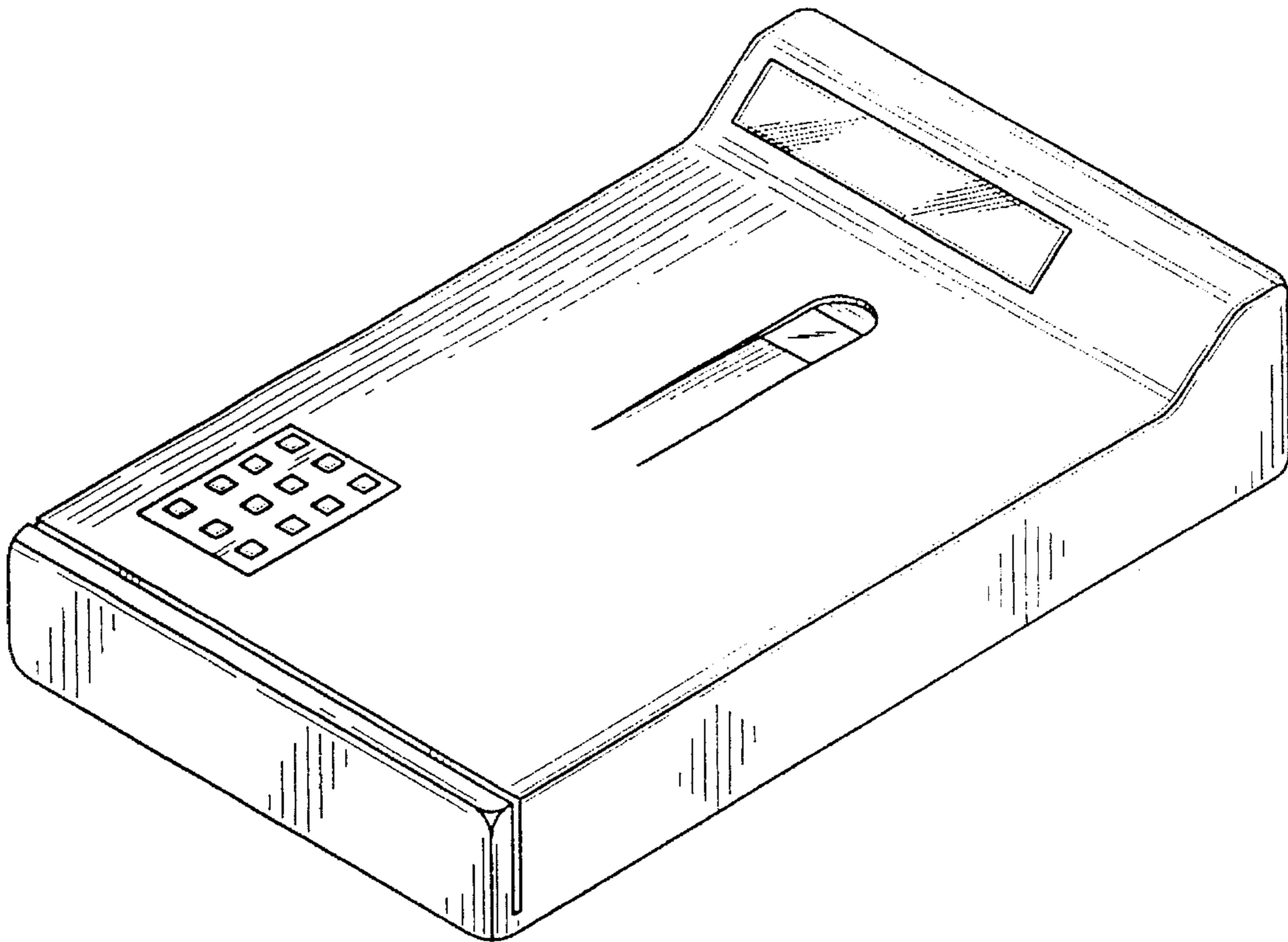


Fig. 1

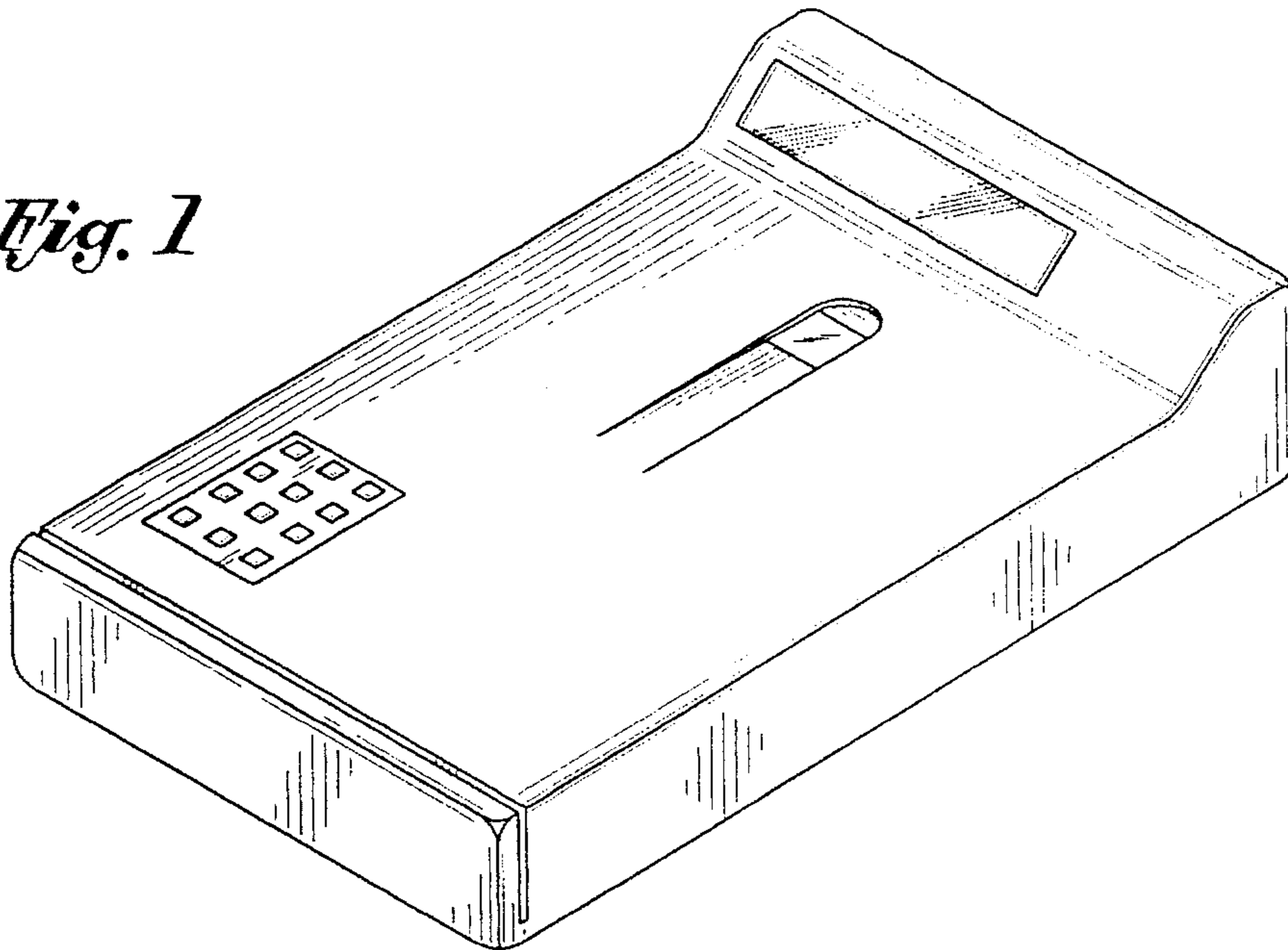


Fig. 2

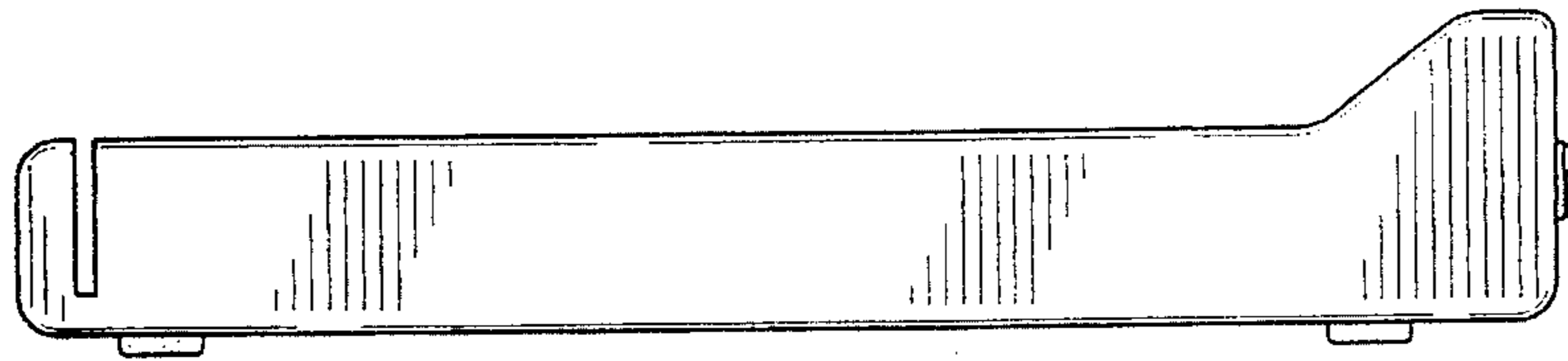


Fig. 3

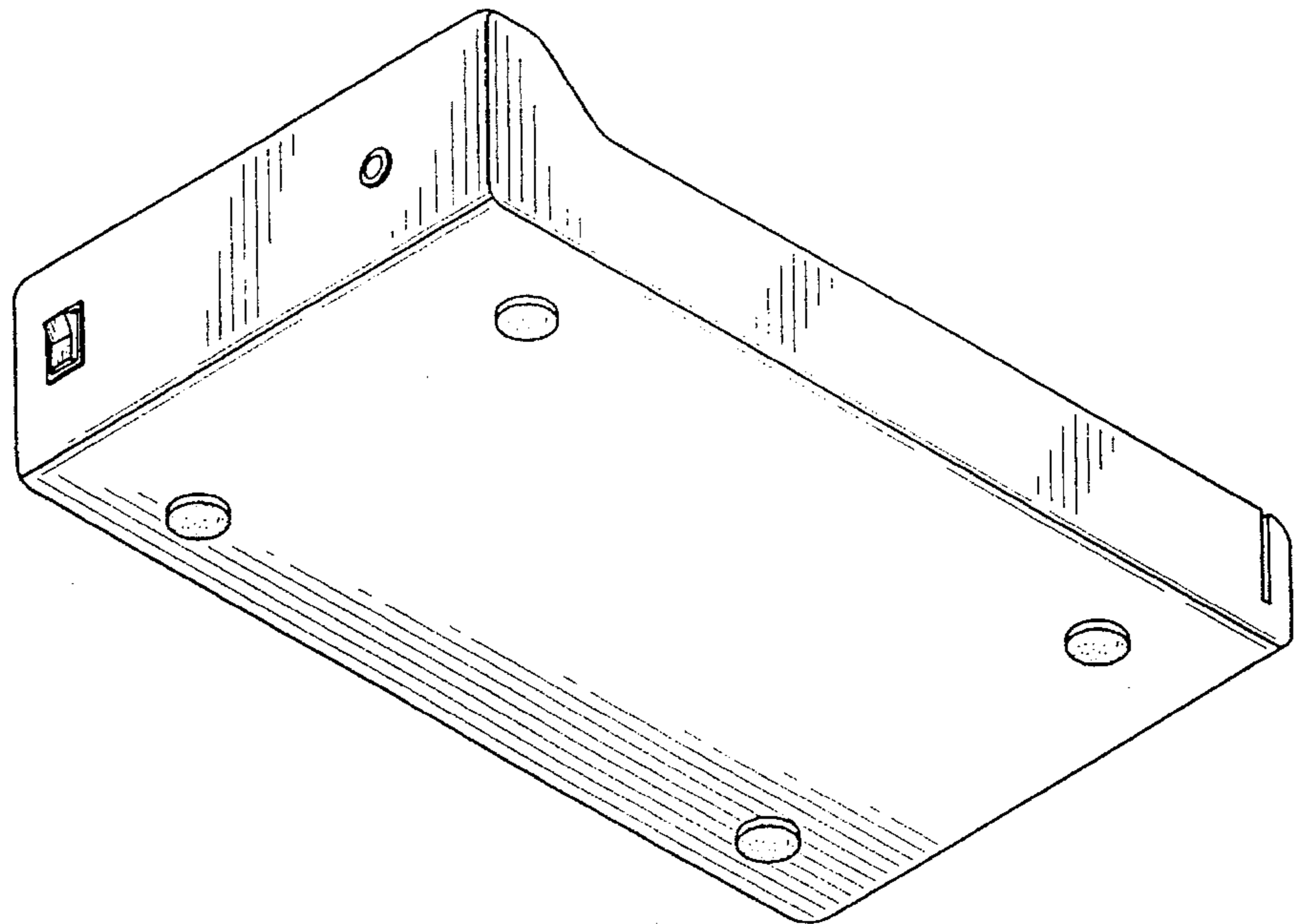


Fig. 4

