



US00D367268S

# United States Patent [19]

Scherer et al.

[11] Patent Number: **Des. 367,268**

[45] Date of Patent: **\*\*Feb. 20, 1996**

[54] **ELECTRICAL FUSE LIMITER FOR POWER DISTRIBUTION SYSTEMS**

5,162,967 11/1992 Ojanguren ..... 361/115

[75] Inventors: **Henry W. Scherer**, Gurnee; **Bruce A. Biller**, Chicago; **Hiram S. Jackson**, Morton Grove, all of Ill.

[73] Assignee: **S&C Electric Company**, Chicago, Ill.

[\*\*] Term: **14 Years**

[21] Appl. No.: **21,113**

[22] Filed: **Apr. 7, 1994**

[52] U.S. Cl. .... **D13/178**

[58] **Field of Search** ..... D13/160, 161, D13/178; 361/58; 200/144 AP; 337/158, 159, 186, 208, 168

### [56] **References Cited**

#### U.S. PATENT DOCUMENTS

4,553,188	11/1985	Aubrey et al. ....	361/115
4,564,830	1/1986	Warner et al. ....	337/279 X
4,935,715	6/1990	Popeck .....	361/115 X

### OTHER PUBLICATIONS

Open fuse cutouts on p. 1 of Westinghouse Descriptive Bulletin 38-620.

*Primary Examiner*—Joel Sincavage  
*Attorney, Agent, or Firm*—James V. Lapacek

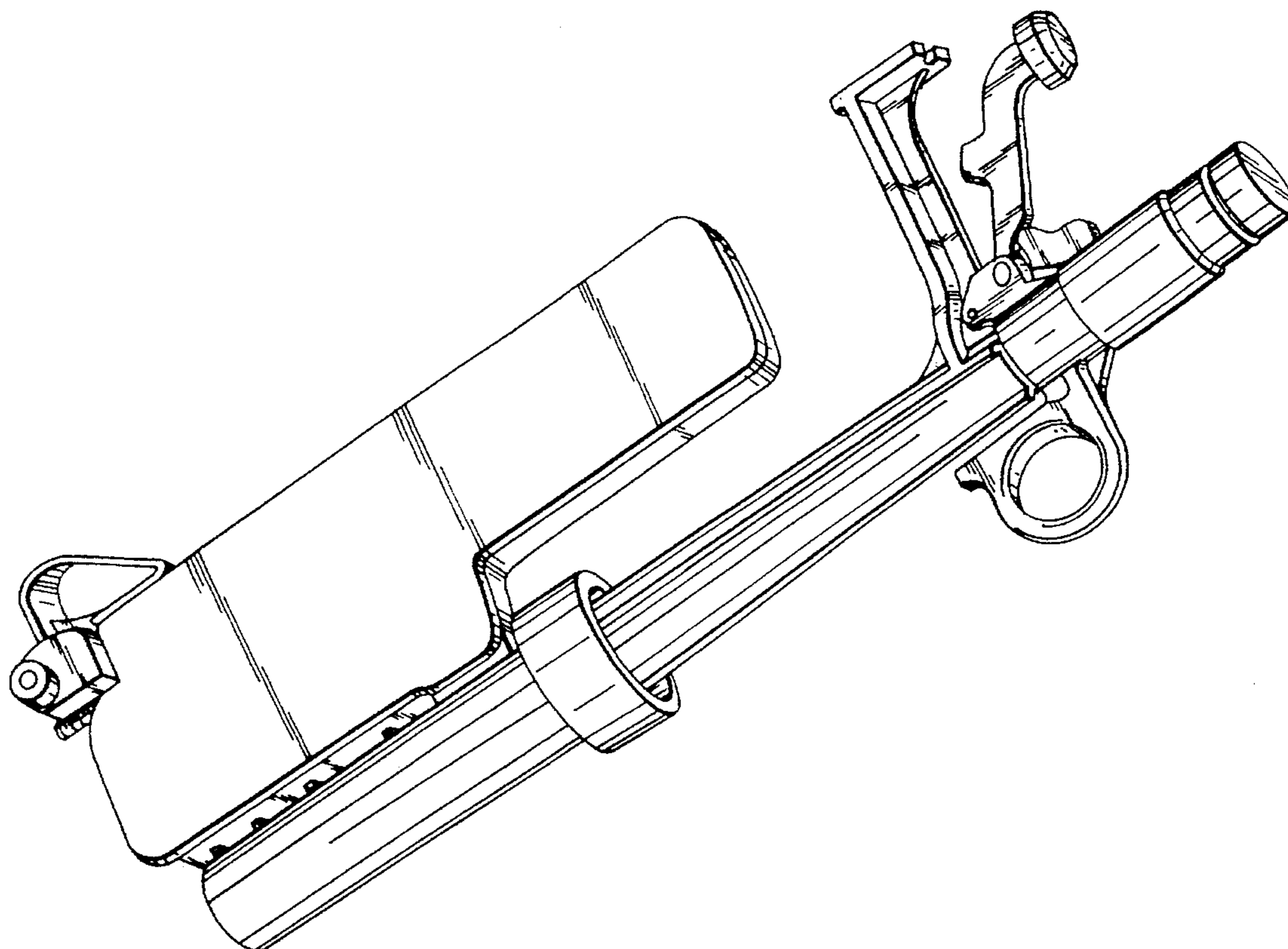
### [57] **CLAIM**

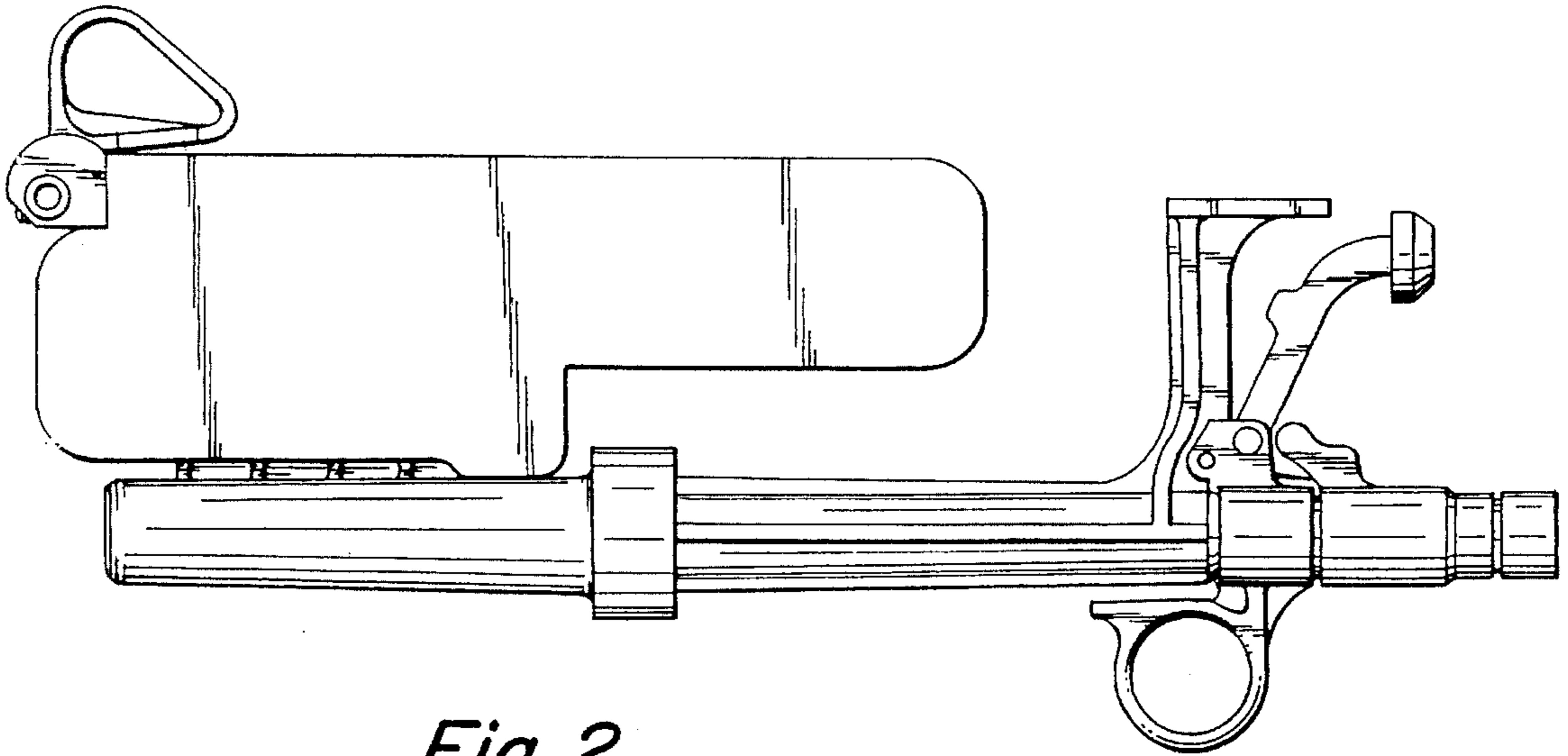
The ornamental design for an electrical fuse limiter for power distribution systems, as shown and described.

### **DESCRIPTION**

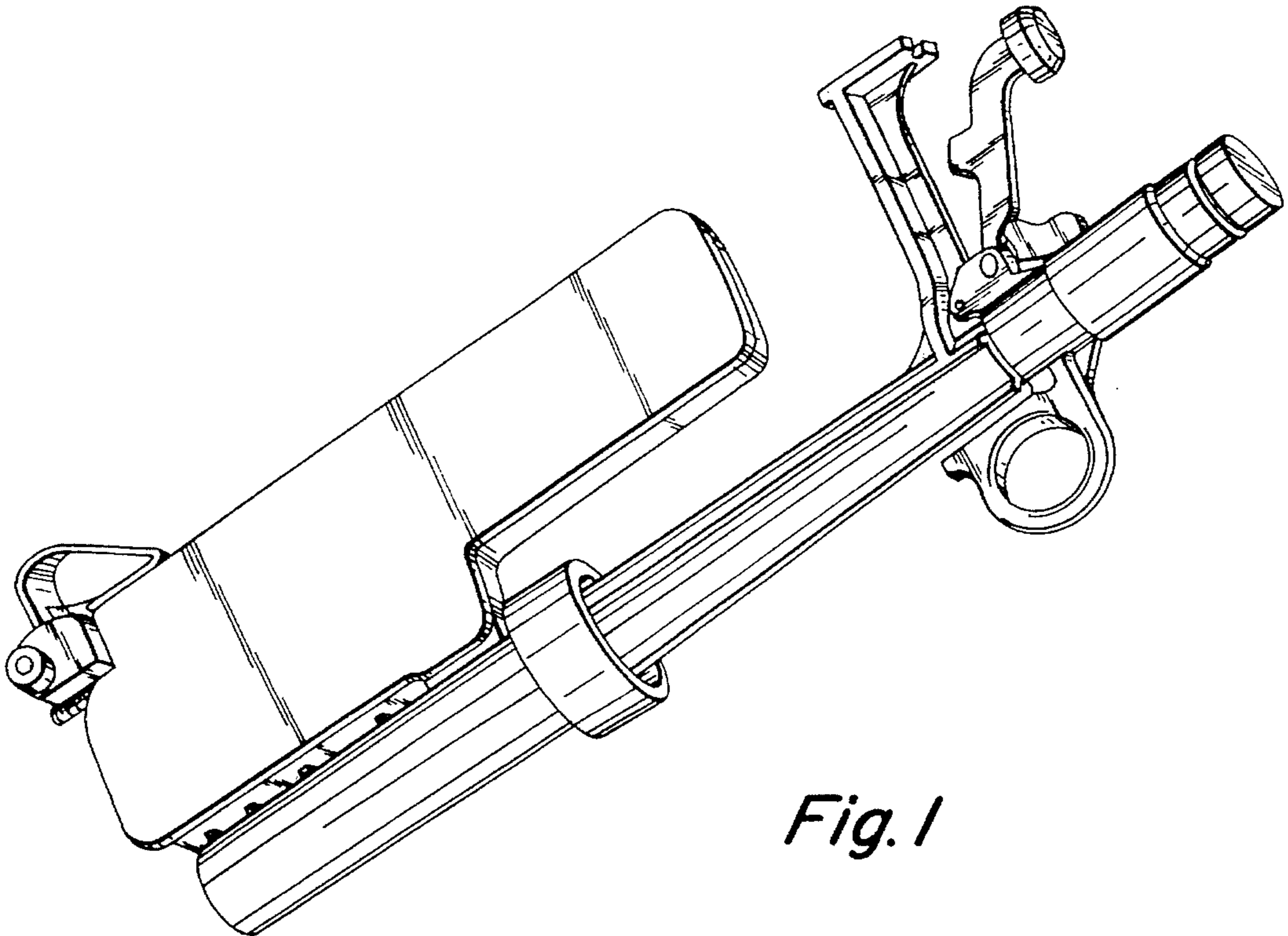
FIG. 1 is a perspective view of an electrical fuse limiter for power distribution systems showing our new design; FIG. 2 is a front elevational view thereof; FIG. 3 is a right side elevational view thereof; FIG. 4 is a left side elevational view thereof; FIG. 5 is a rear elevational view thereof; FIG. 6 is a top plan view thereof; and, FIG. 7 is a bottom plan view thereof.

**1 Claim, 3 Drawing Sheets**

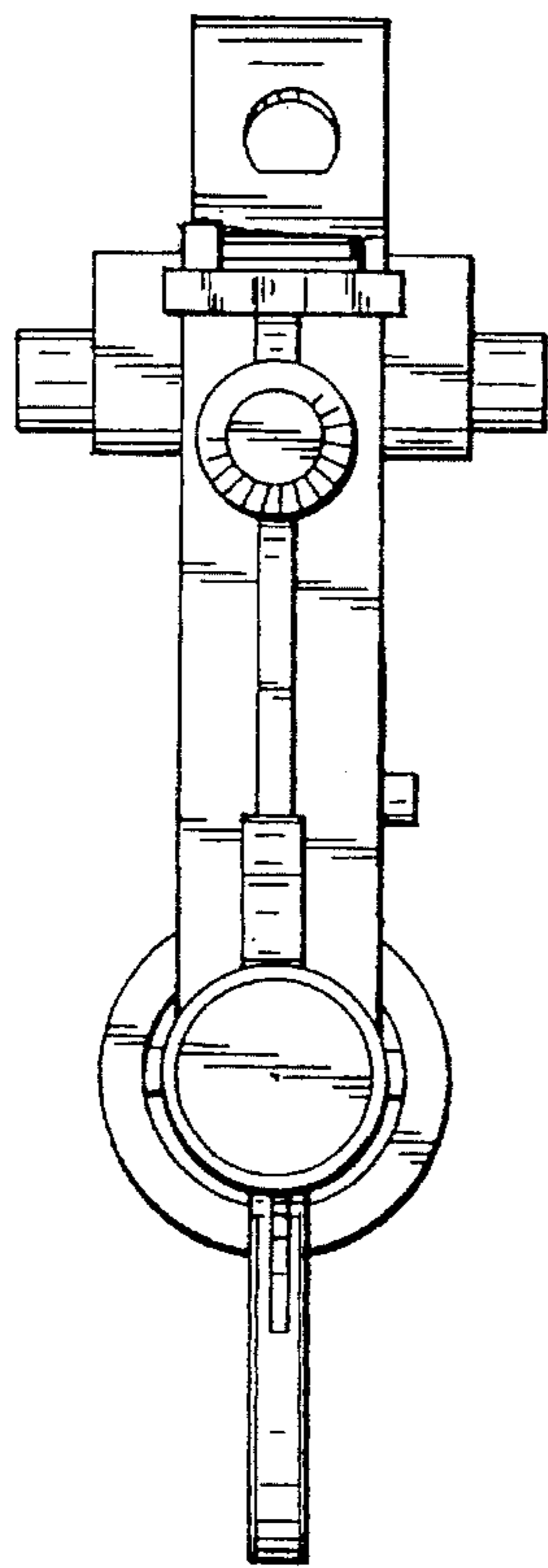




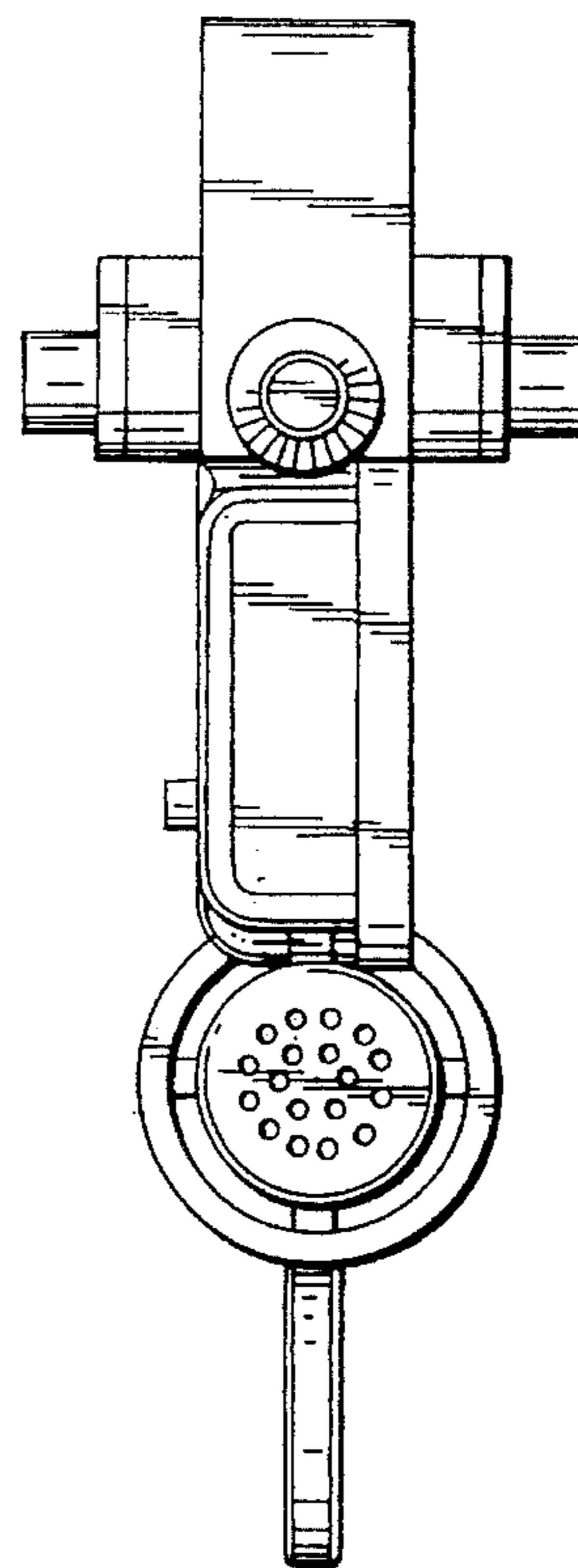
*Fig. 2*



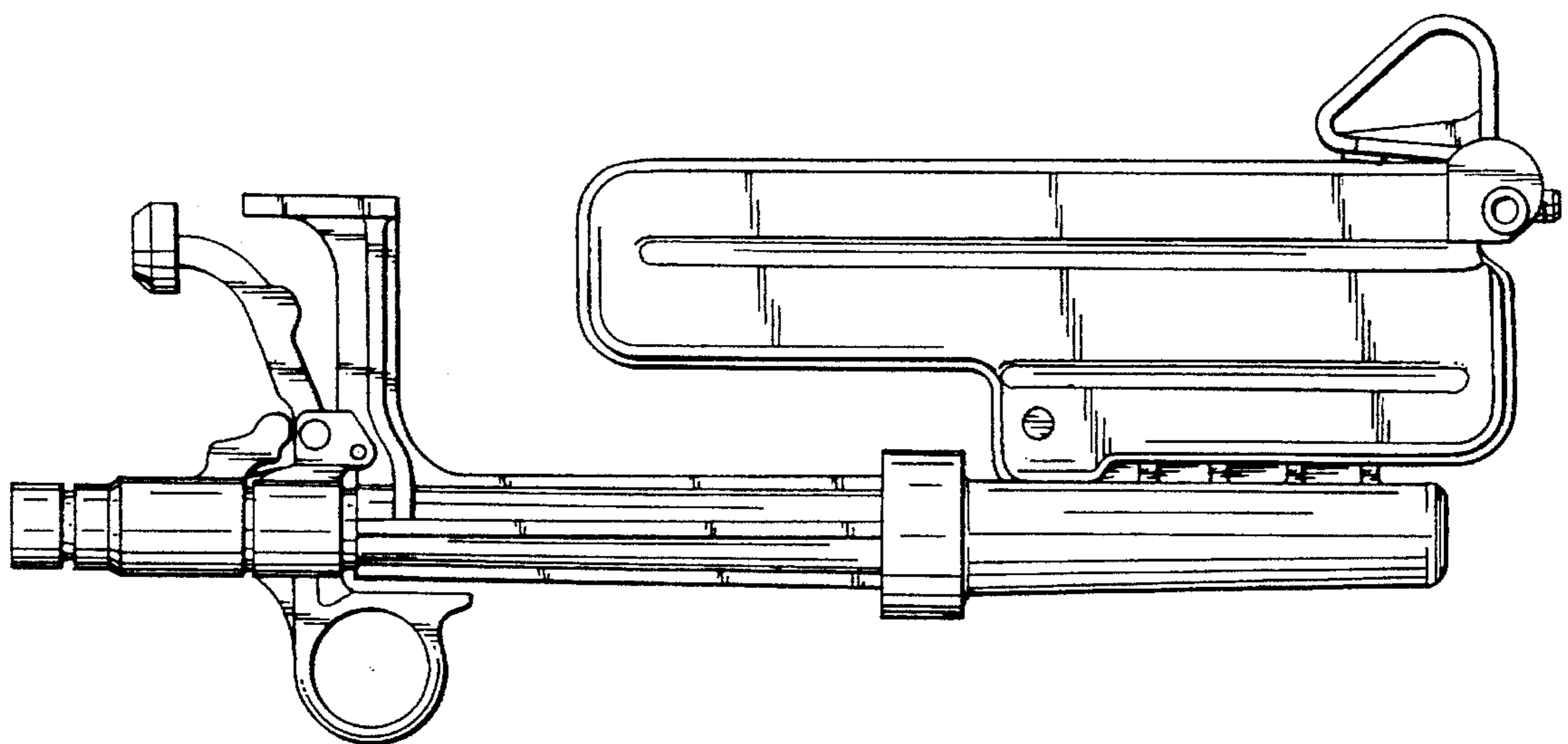
*Fig. 1*



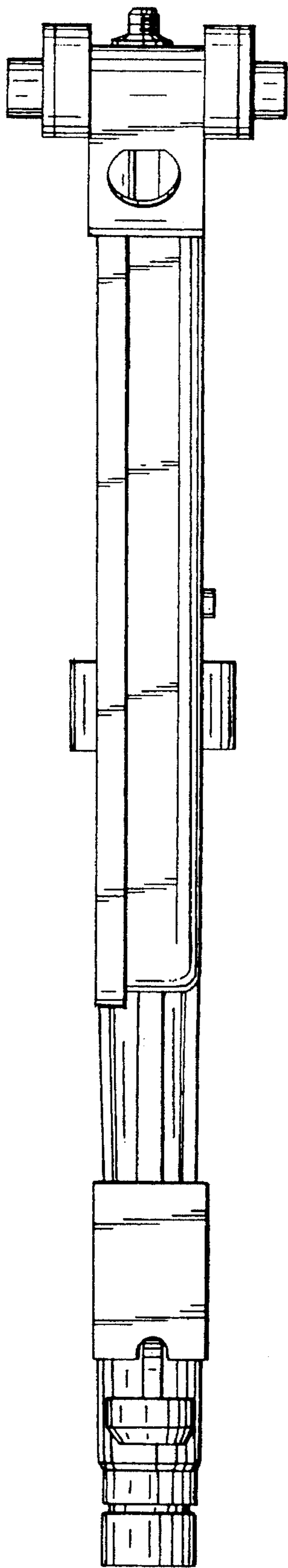
*Fig. 3*



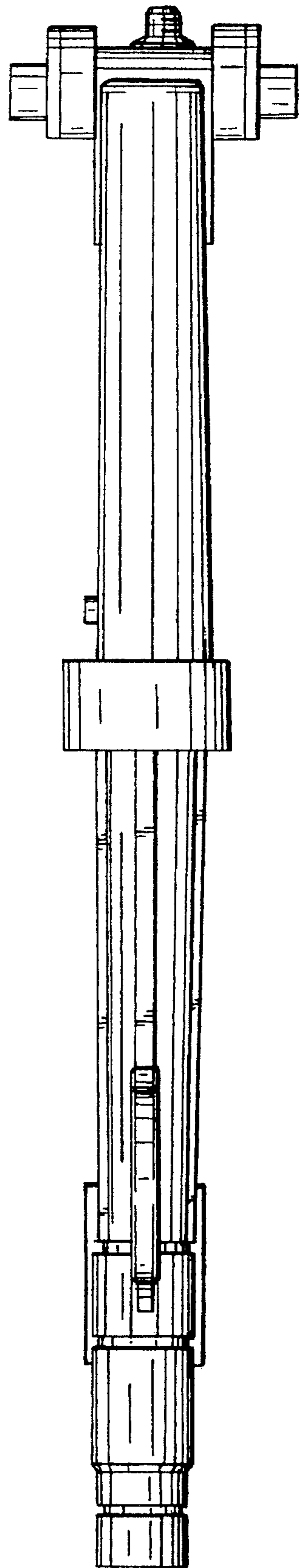
*Fig. 4*



*Fig. 5*



*Fig. 6*



*Fig. 7*