



US00D367267S

United States Patent [19]

[11] Patent Number: **Des. 367,267**

McGlone et al.

[45] Date of Patent: ****Feb. 20, 1996**

[54] **ELECTRICAL SWITCHGEAR MODULE FOR POWER DISTRIBUTION SYSTEMS**

4,677,524	6/1987	Shiraishi et al.	361/605
4,827,088	5/1989	Oakes et al.	361/605 X
5,147,981	9/1992	Buet et al.	174/52.1
5,291,369	3/1994	Kelch et al.	361/605

[75] Inventors: **Buddy B. McGlone**, Lombard; **David H. Devonald, III**, Green Oaks; **James A. Hansen**, Morton Grove; **Henry W. Kowalyshen**, Niles; **Chester H. Lin**, Lincolnwood; **James K. Niemira**, Skokie; **Edward J. Rogers**, Chicago; **Edward A. Steele**, Gurnee, all of Ill.

Primary Examiner—Joel Sincavage
Attorney, Agent, or Firm—James V. Lapacek

[73] Assignee: **S&C Electric Company**, Chicago, Ill.

[57] **CLAIM**

[**] Term: **14 Years**

The ornamental design for an electrical switchgear module for power distribution systems, as shown and described.

[21] Appl. No.: **21,873**

DESCRIPTION

[22] Filed: **Apr. 8, 1994**

FIG. 1 is a perspective view of an electrical switchgear module for power distribution systems showing our new design;

[52] U.S. Cl. **D13/164**

FIG. 2 is another perspective view of the electrical switchgear module for power distribution systems of FIG. 1 taken from a different point of reference;

[58] Field of Search D13/158, 160, D13/162, 164; 361/605, 622; 200/50 AA, 288, 400; 174/52.1; 335/16, 167

FIG. 3 is a top plan view thereof;

FIG. 4 is a bottom plan view thereof;

FIG. 5 is a front elevational view thereof;

FIG. 6 is a right side elevational view thereof, the left side elevational view being a mirror image of FIG. 6; and,

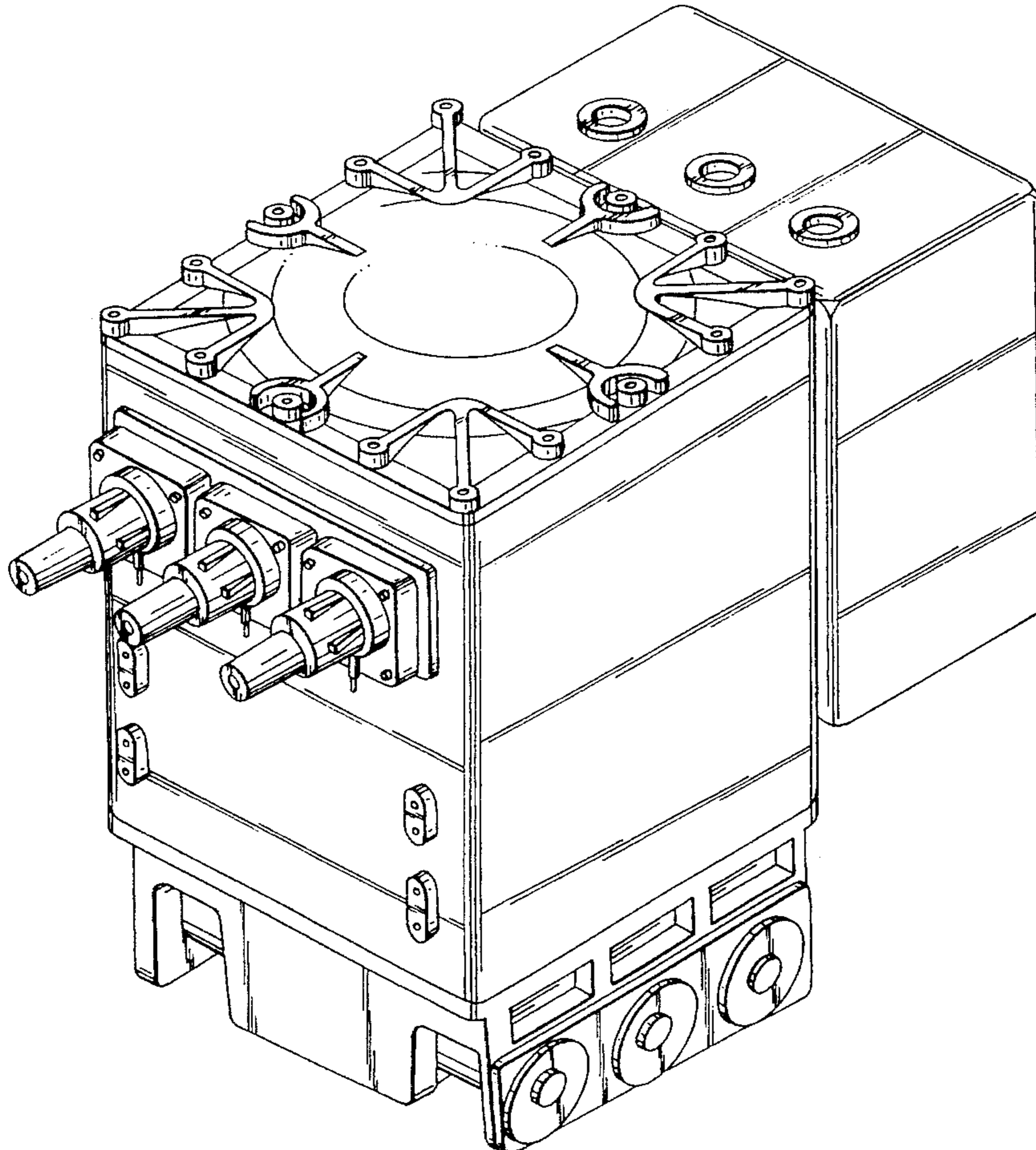
FIG. 7 is a rear elevational view thereof.

[56] **References Cited**

U.S. PATENT DOCUMENTS

D. 309,446	7/1990	Russell	D13/162
D. 347,623	6/1994	Suzuki et al.	D13/160

1 Claim, 7 Drawing Sheets



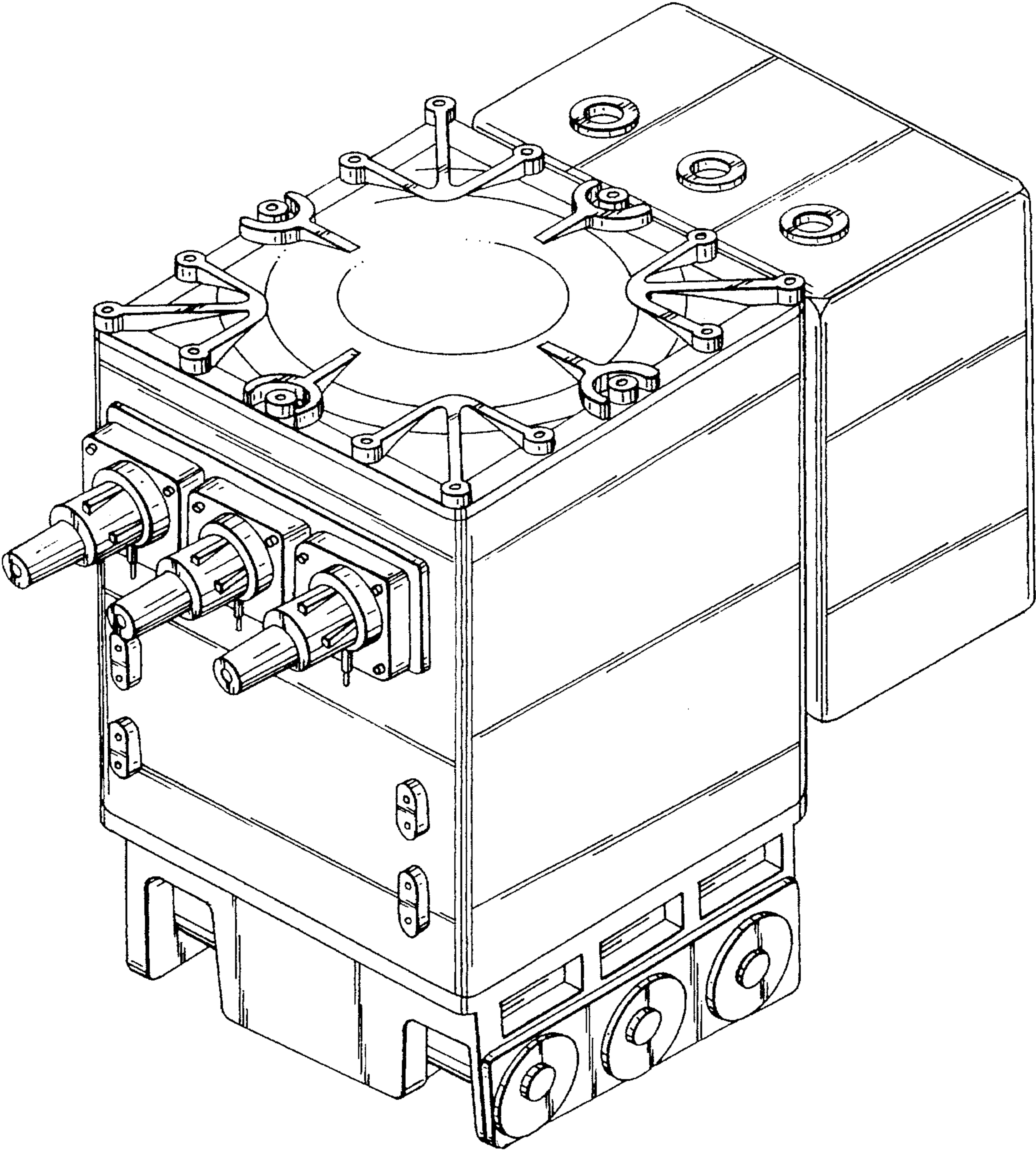


Fig. 1

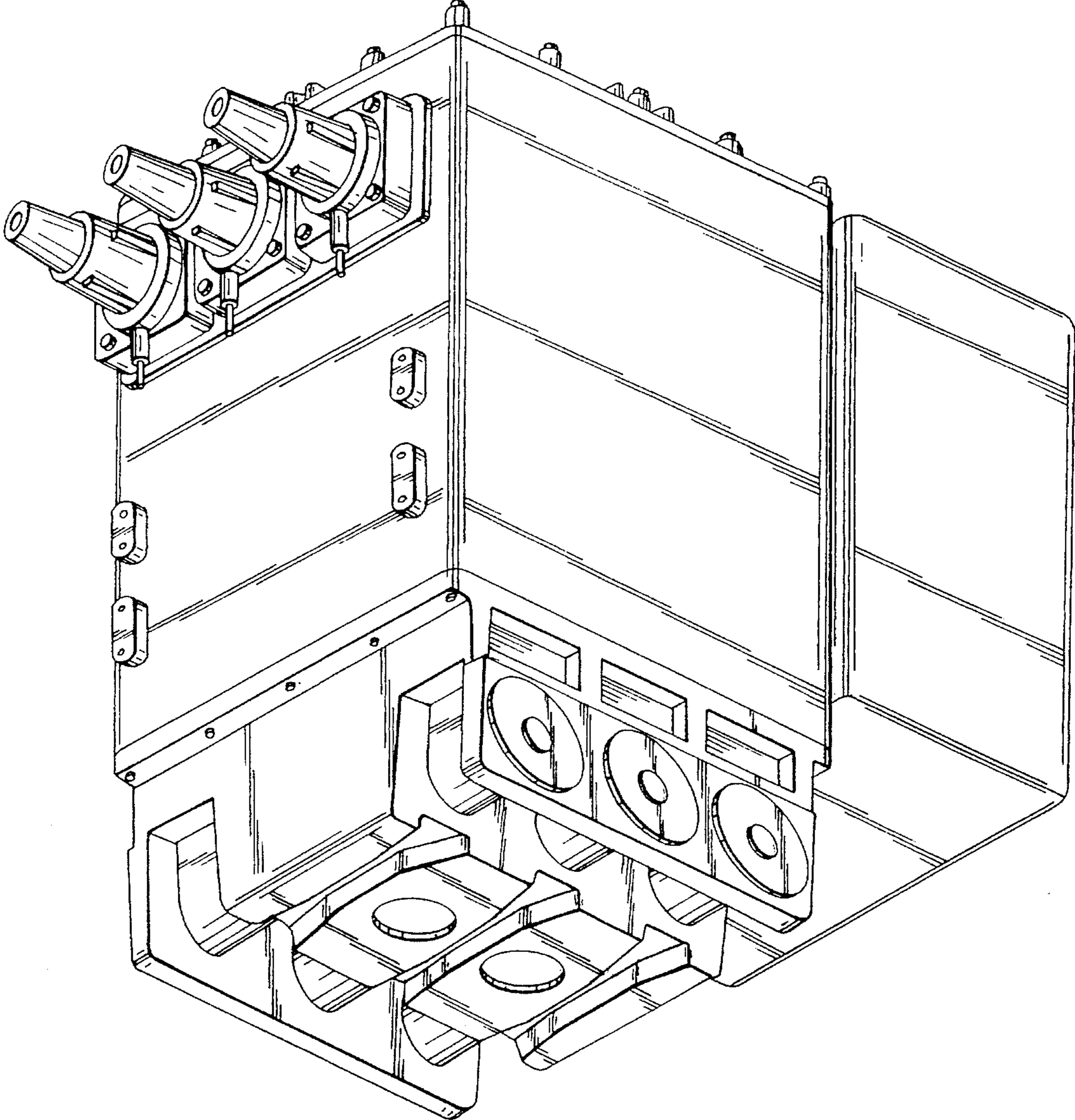


Fig. 2

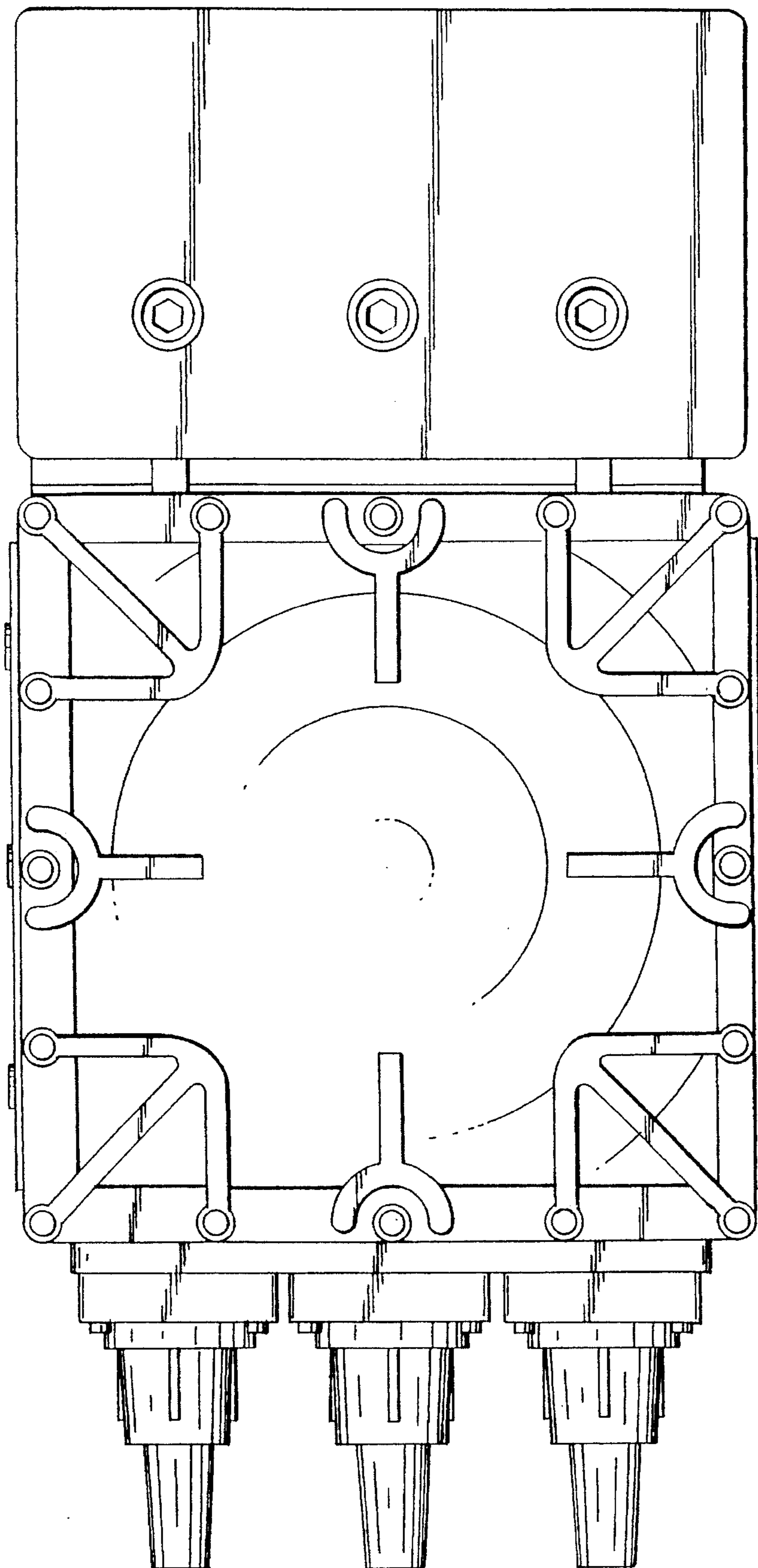


Fig. 3

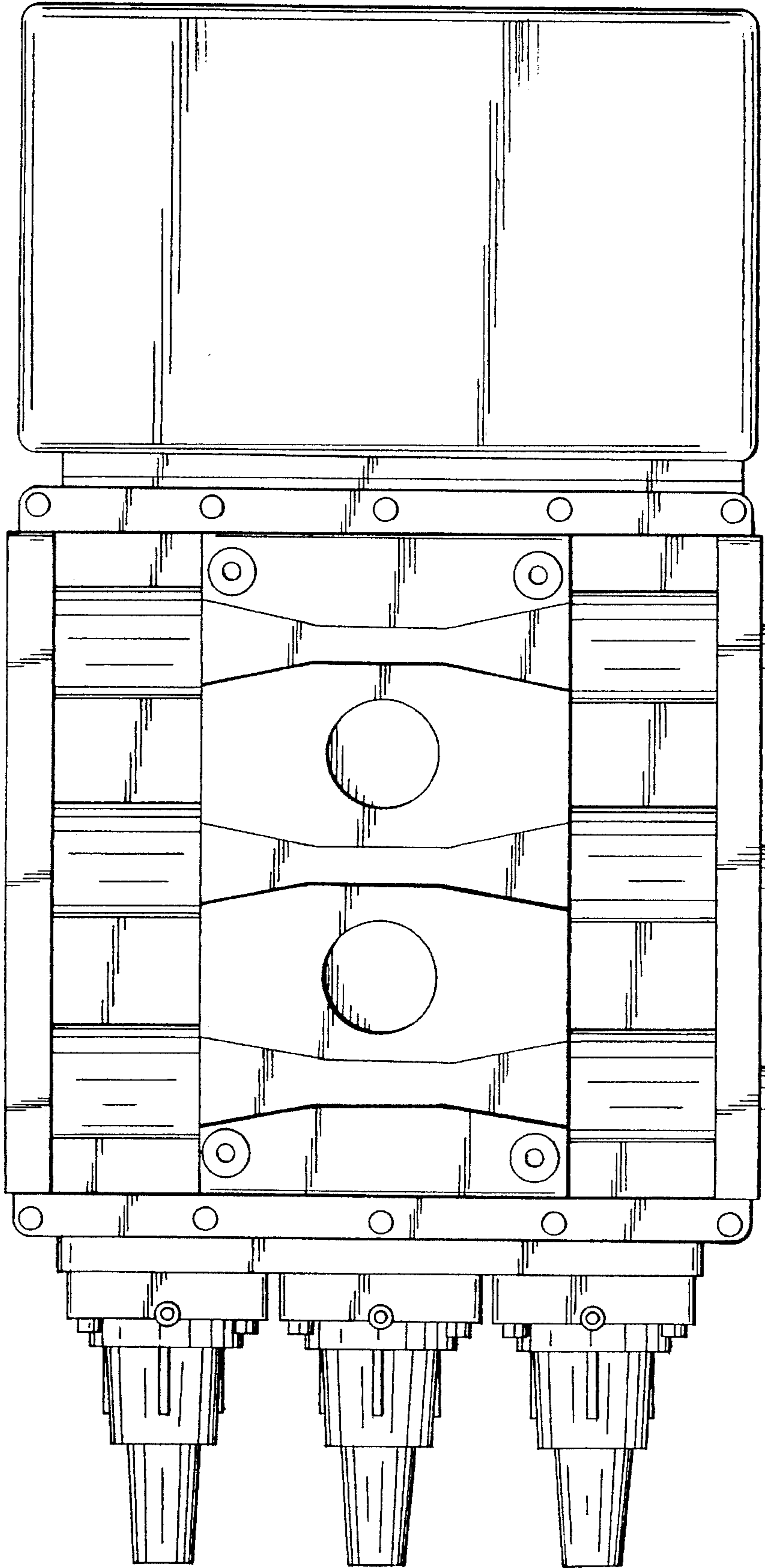


Fig. 4

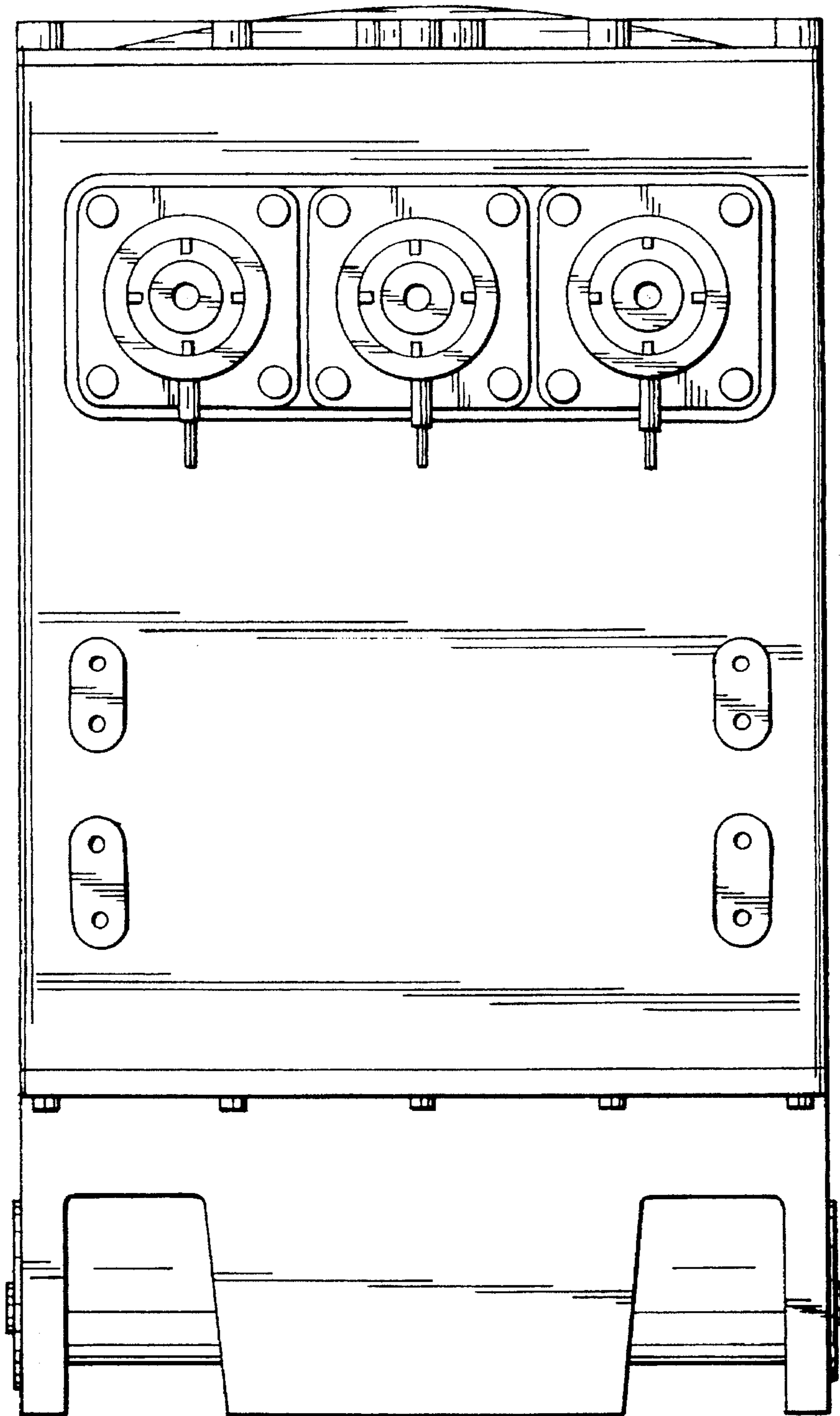


Fig. 5

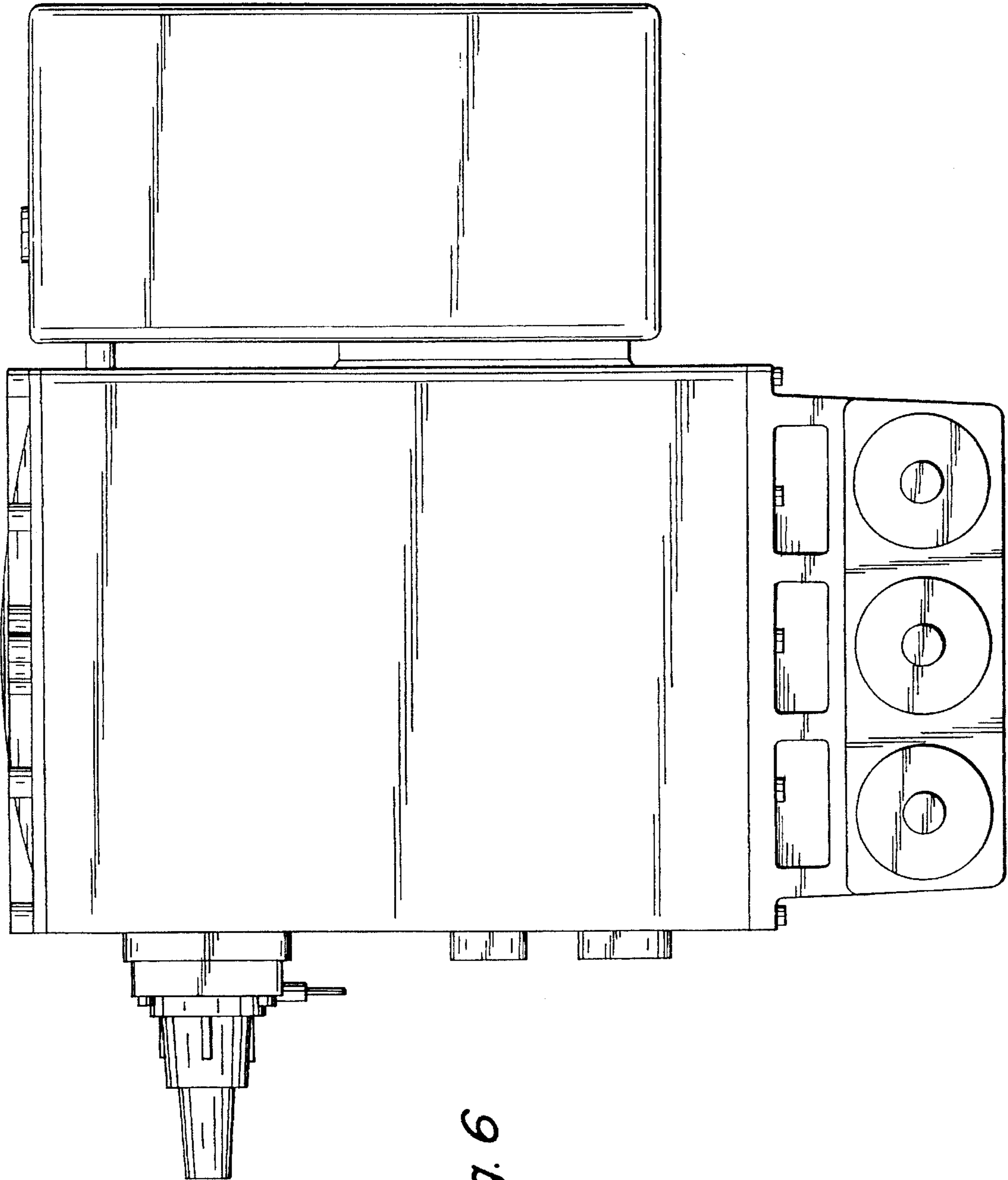


Fig. 6

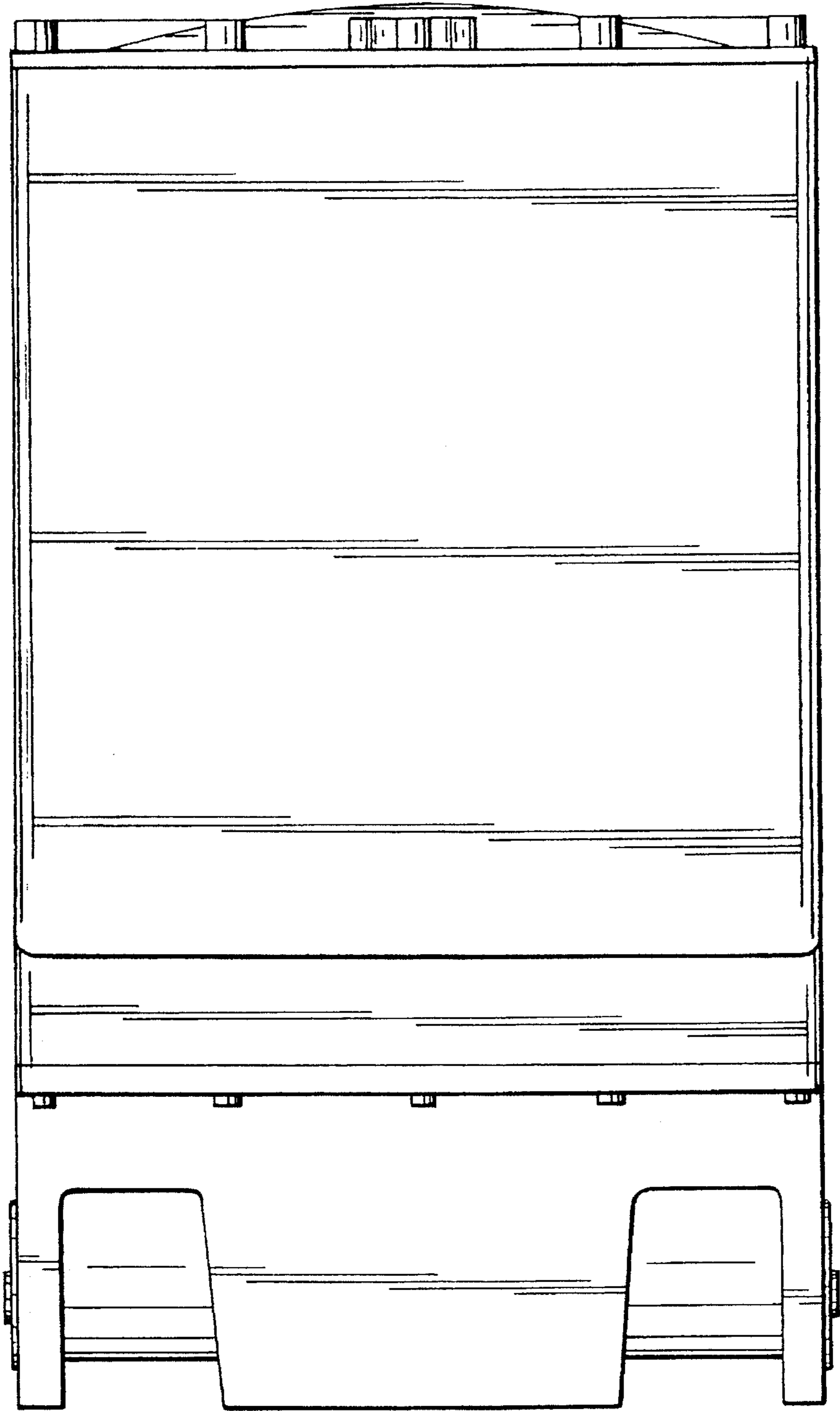


Fig. 7