



US00D367266S

# United States Patent [19]

[11] Patent Number: **Des. 367,266**

**Biller et al.**

[45] Date of Patent: **\*\*Feb. 20, 1996**

[54] **ELECTRICAL FUSE TUBE ASSEMBLY FOR POWER DISTRIBUTION SYSTEMS**

5,162,967 11/1992 Ojanguren ..... 361/115

[75] Inventors: **Bruce A. Biller**, Chicago; **Henry W. Scherer**, Gurnee, both of Ill.

*Primary Examiner*—Joel Sincavage  
*Attorney, Agent, or Firm*—James V. Lapacek

[73] Assignee: **S&C Electric Company**, Chicago, Ill.

[57] **CLAIM**

[\*\*] Term: **14 Years**

The ornamental design for an electrical fuse tube assembly for power distribution systems, as shown and described.

[21] Appl. No.: **21,112**

**DESCRIPTION**

[22] Filed: **Apr. 7, 1994**

FIG. 1 is a perspective view of an electrical fuse tube assembly for power distribution systems showing our new design;

[52] U.S. Cl. .... **D13/161**

FIG. 2 is a front elevational view thereof;

[58] Field of Search ..... D13/160, 161, D13/178; 337/168, 186, 208, 227

FIG. 3 is a right side elevational view thereof;

FIG. 4 is a left side elevational view thereof;

FIG. 5 is a rear elevational view thereof;

FIG. 6 is a top plan view thereof; and,

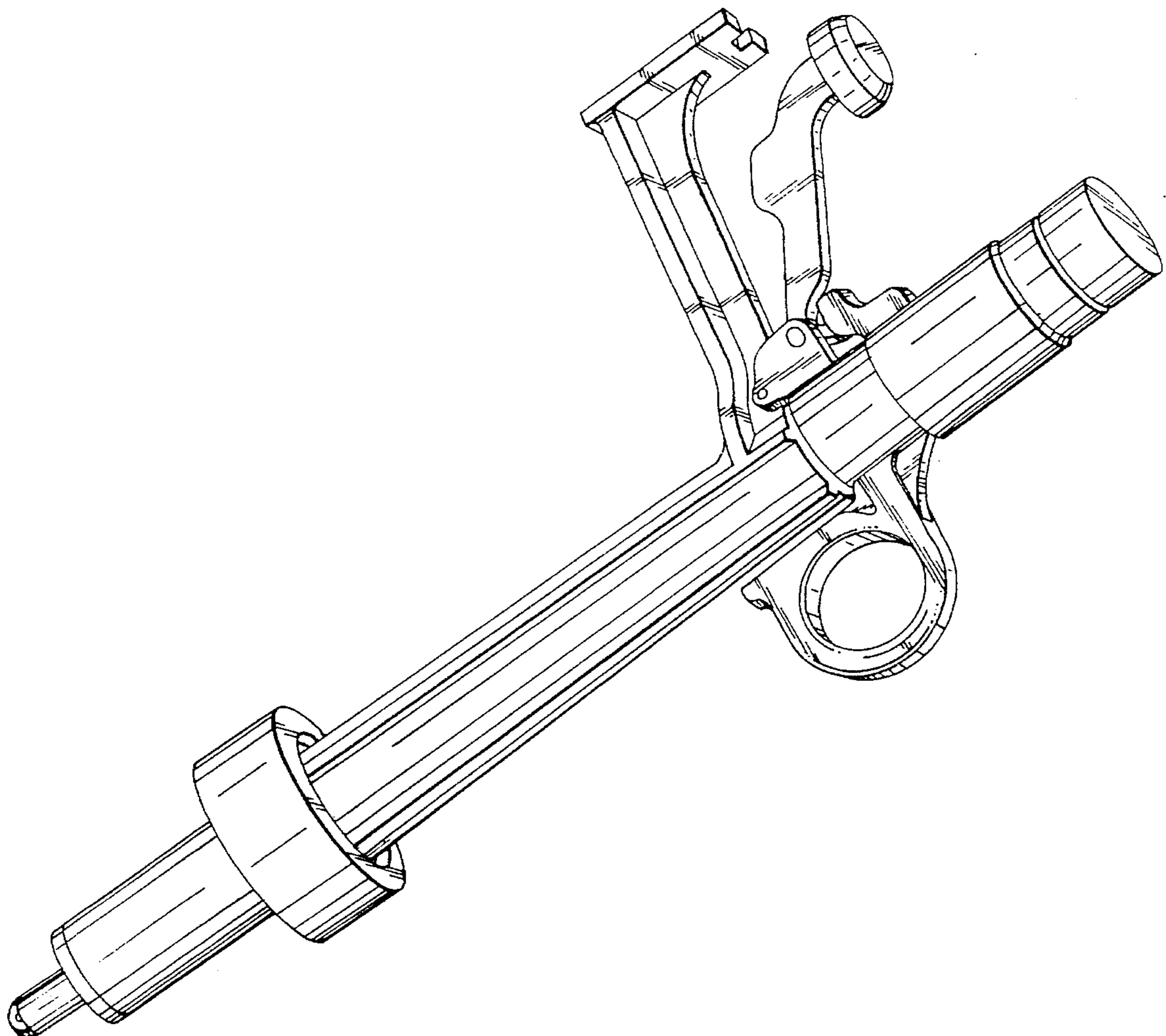
FIG. 7 is a bottom plan view thereof.

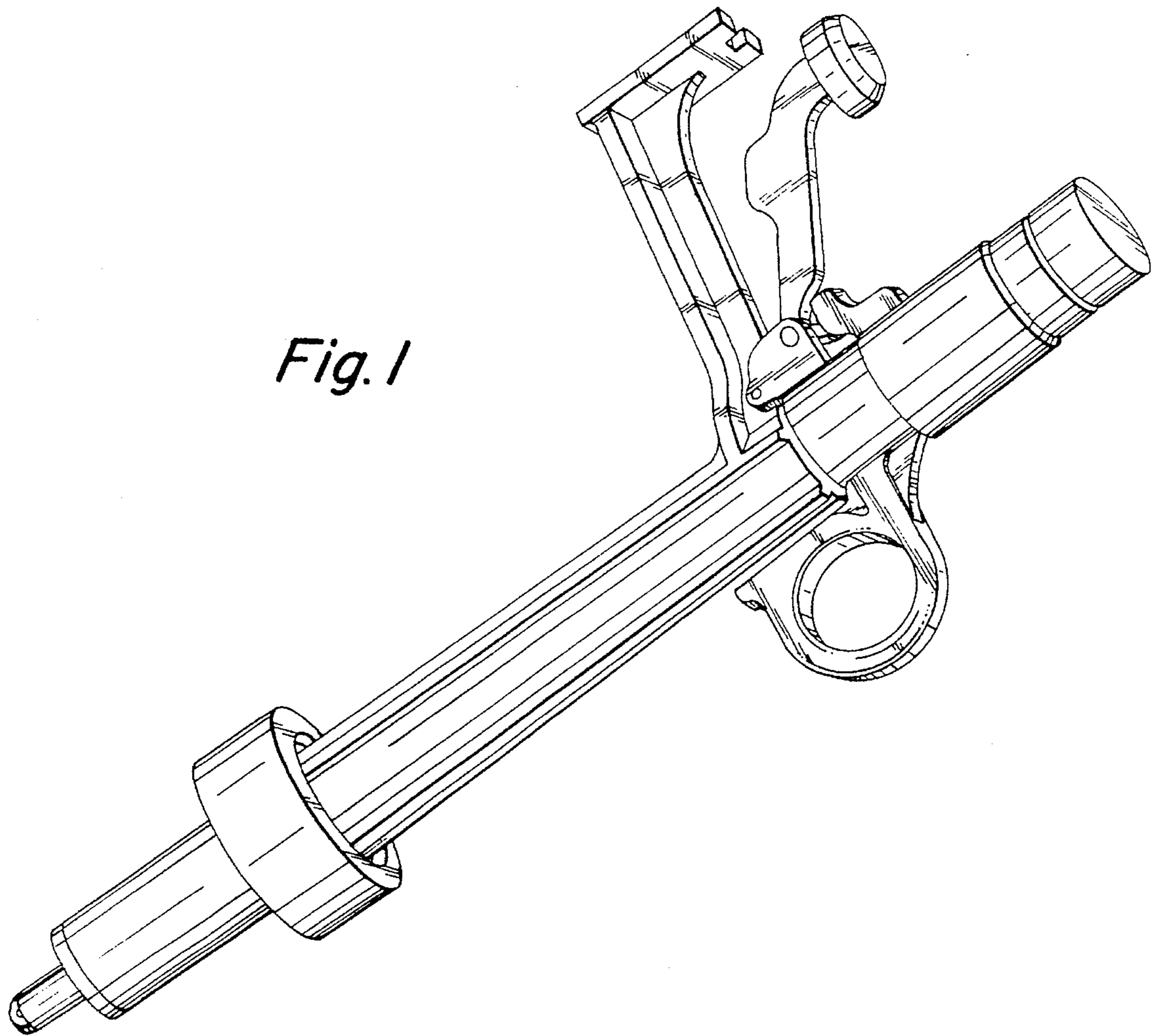
[56] **References Cited**

**U.S. PATENT DOCUMENTS**

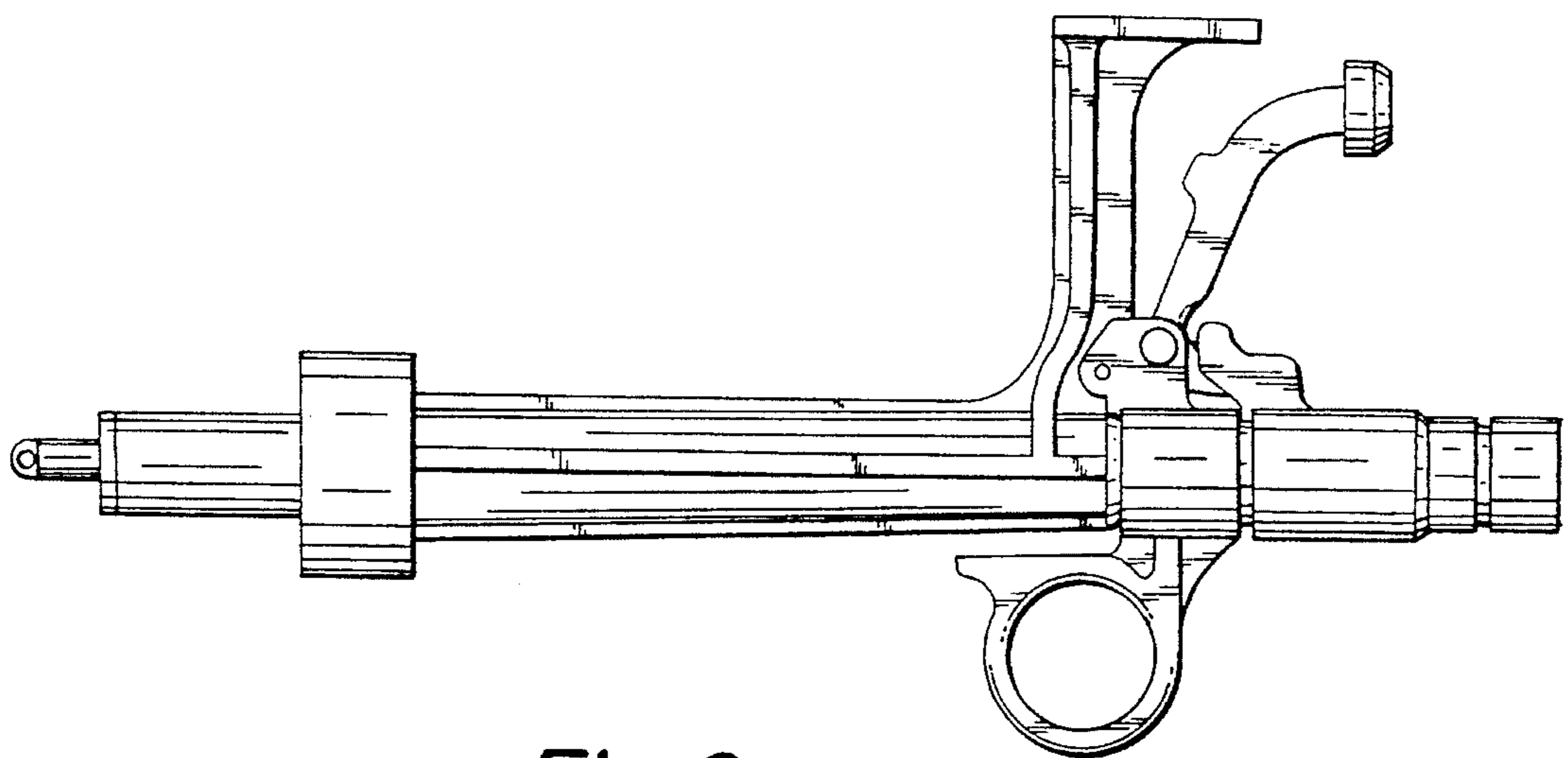
|           |         |                    |           |
|-----------|---------|--------------------|-----------|
| 4,553,188 | 11/1985 | Aubrey et al. .... | 361/115   |
| 4,564,830 | 1/1986  | Warner et al. .... | 337/279 X |
| 4,935,715 | 6/1990  | Popeck .....       | 361/115 X |

**1 Claim, 3 Drawing Sheets**

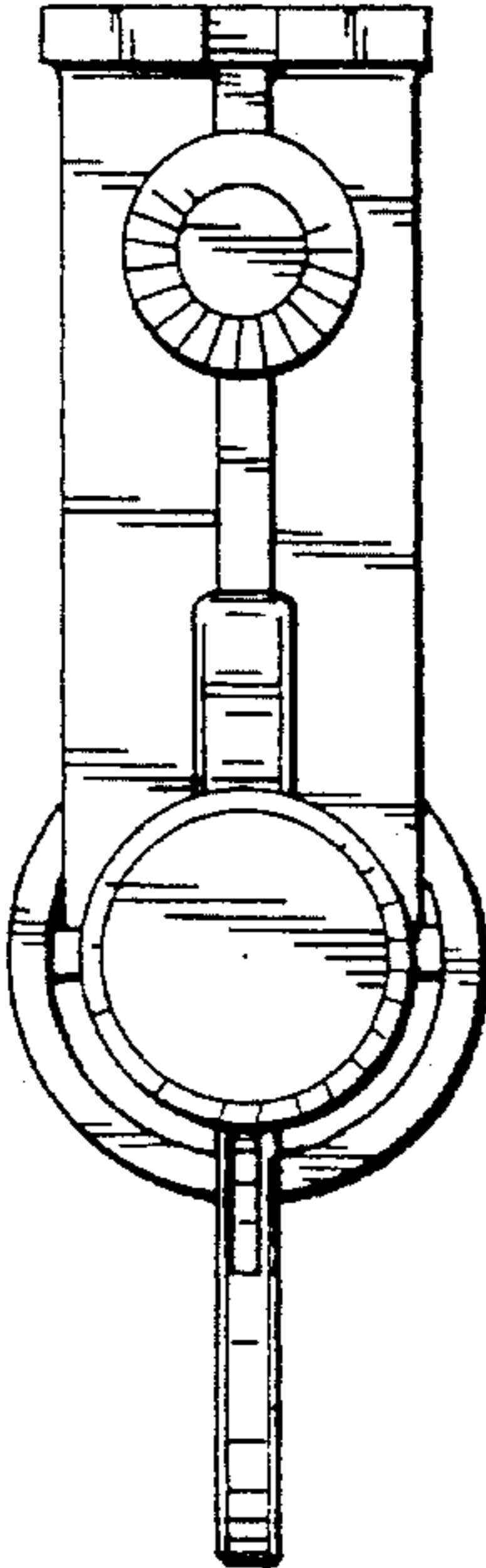




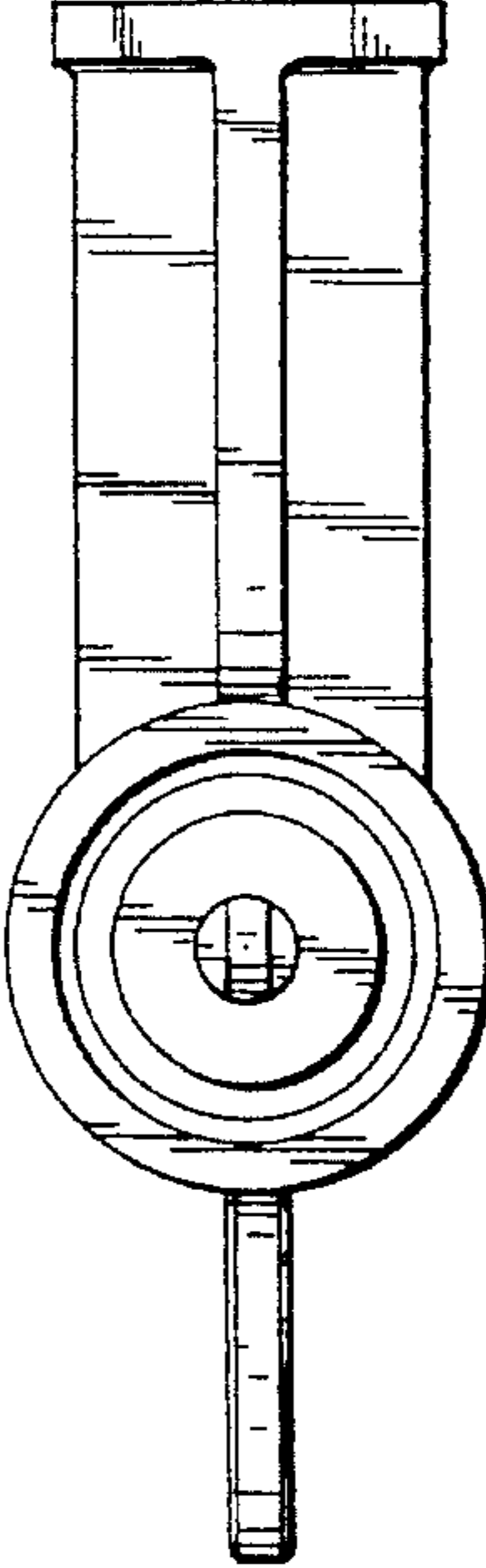
*Fig. 1*



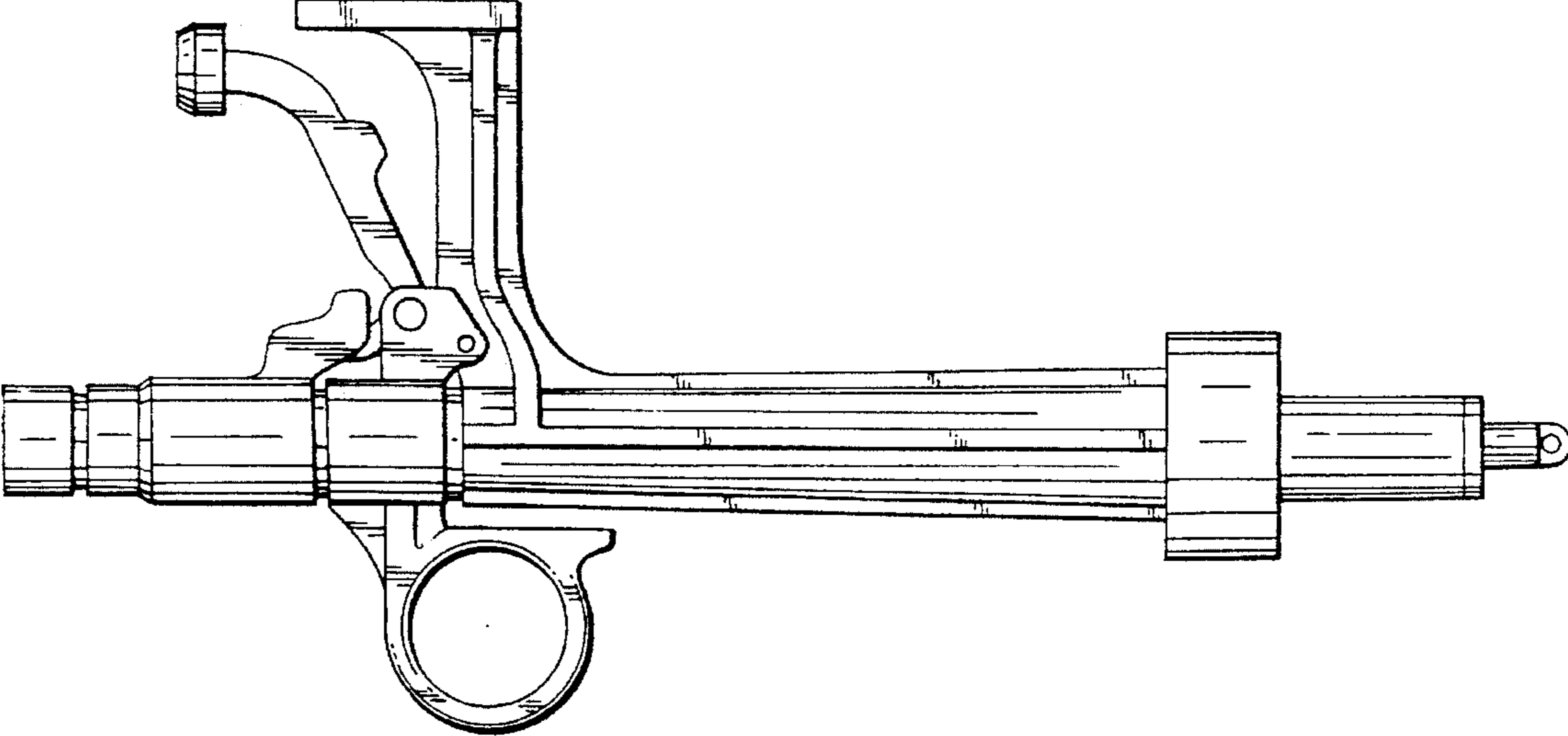
*Fig. 2*



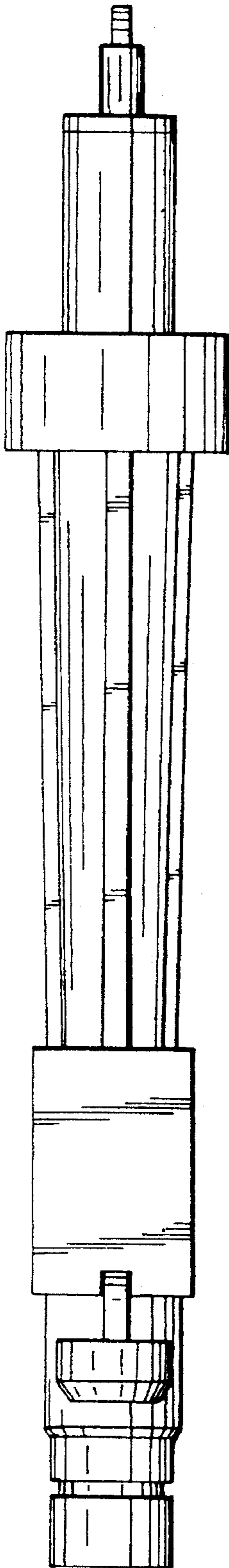
*Fig. 3*



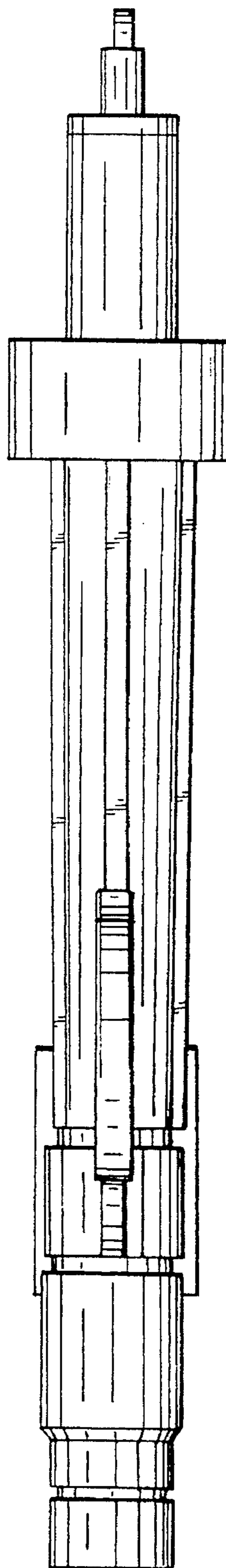
*Fig. 4*



*Fig. 5*



*Fig. 6*



*Fig. 7*