



US00D367265S

United States Patent [19]

[11] Patent Number: **Des. 367,265**

Yamagata et al.

[45] Date of Patent: ****Feb. 20, 1996**

[54] **CIRCUIT BREAKER FOR DISTRIBUTION**

[75] Inventors: **Shinji Yamagata; Shosou Okuda**, both of Fukuyama; **Hideaki Sato**, Kamakura, all of Japan

[73] Assignee: **Mitsubishi Denki Kabushiki Kaisha**, Tokyo, Japan

[**] Term: **14 Years**

[21] Appl. No.: **32,271**

[22] Filed: **Dec. 1, 1994**

[30] **Foreign Application Priority Data**

Jul. 15, 1994 [JP] Japan 6-21374

[52] U.S. Cl. **D13/160**

[58] Field of Search D13/160; 200/144 R, 200/147 R, 400, 401; 335/16, 20, 167, 172, 202; 361/115, 673

[56] **References Cited**

U.S. PATENT DOCUMENTS

D. 310,822	9/1990	Danek	D13/160
D. 320,386	10/1991	Saunders et al.	D13/160
D. 325,727	4/1992	Murata et al.	D13/160
D. 334,174	3/1993	Hosogai et al.	D13/160
4,291,359	7/1981	Bayer et al.	361/115
4,794,356	12/1988	Yu et al.	361/115 X
5,150,091	9/1992	Hart et al.	335/202
5,304,761	4/1994	Rosen et al.	335/202 X

OTHER PUBLICATIONS

U.S. General Electric Co. Brochure of Molded Cases Circuit Breakers.
Merlin Gerin, Catalog and Instruction Manual, France Jul.

1993.

Kloeker Moeller, Instruction Manual of A-NZM10 and U-NZM10, Germany Jan. 1991.

Primary Examiner—Joel Sincavage

Attorney, Agent, or Firm—Oblon, Spivak, McClelland, Maier & Neustadt

[57] **CLAIM**

The ornamental design for a circuit breaker for distribution, as shown.

DESCRIPTION

FIG. 1 is a front elevational view of a circuit breaker for distribution, showing our new design;

FIG. 2 is a rear elevational view thereof;

FIG. 3 is a top plan view thereof;

FIG. 4 is a bottom plan view thereof;

FIG. 5 is a left side elevational view thereof;

FIG. 6 is a right side elevational view thereof;

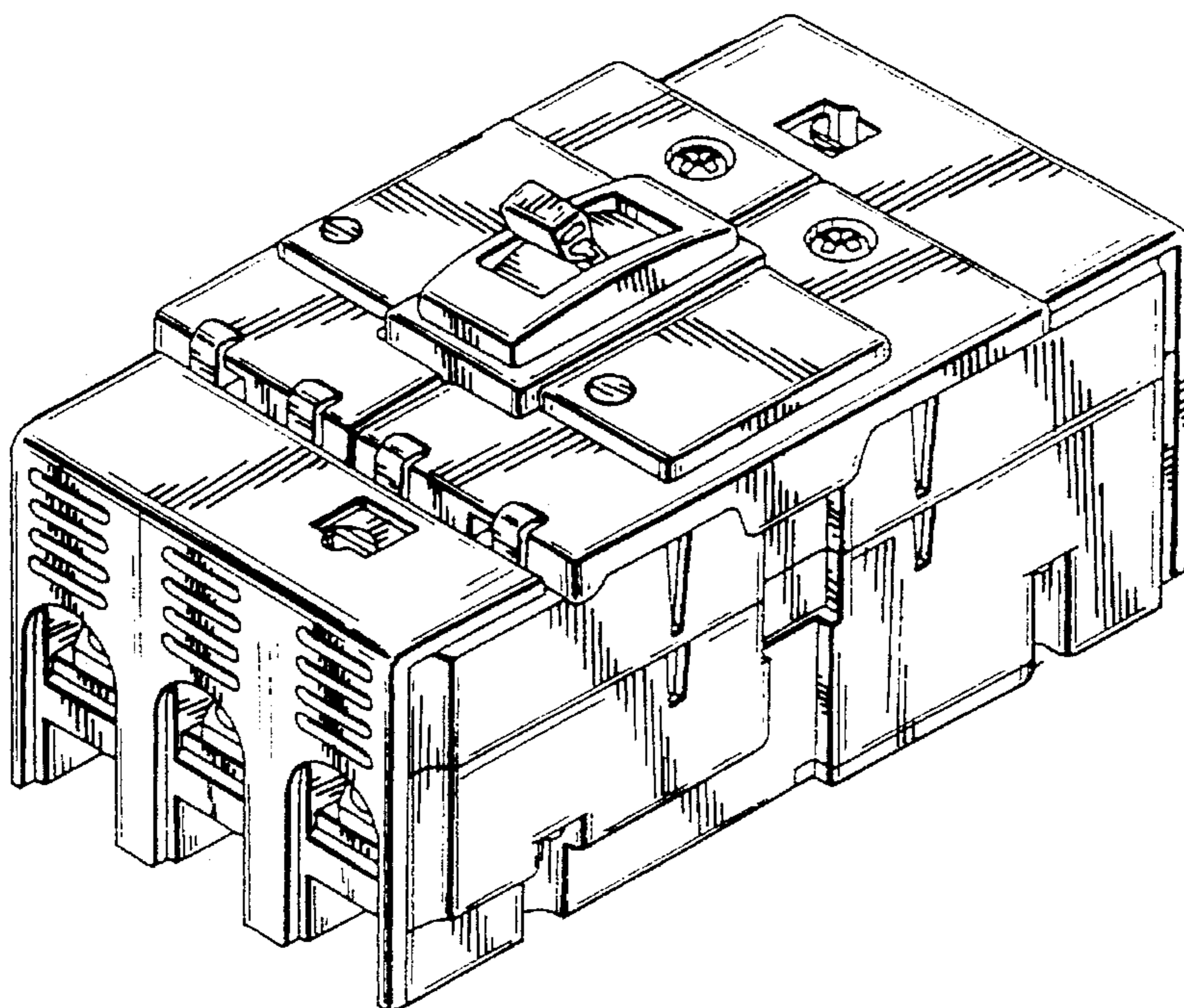
FIG. 7 is a cross-sectional view thereof taken along line 7—7 of FIG. 1 showing a slice of the breaker having nominal thickness, wherein internal means are omitted;

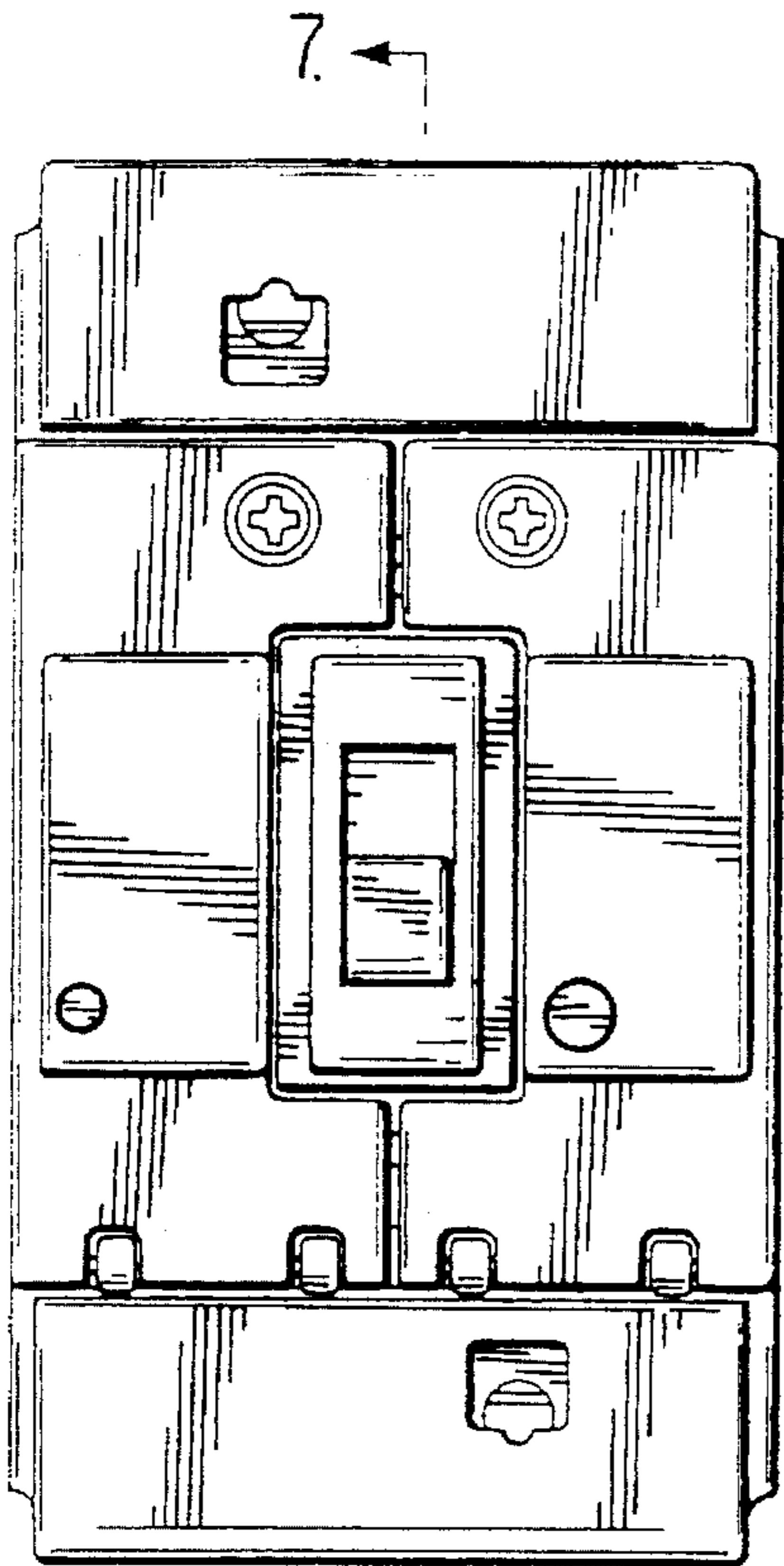
FIG. 8 is a perspective view thereof;

FIG. 9 is a perspective view thereof wherein a terminal cover is taken off; and,

FIG. 10 is a perspective view thereof wherein the lids are open.

1 Claim, 4 Drawing Sheets





7
FIG. 1

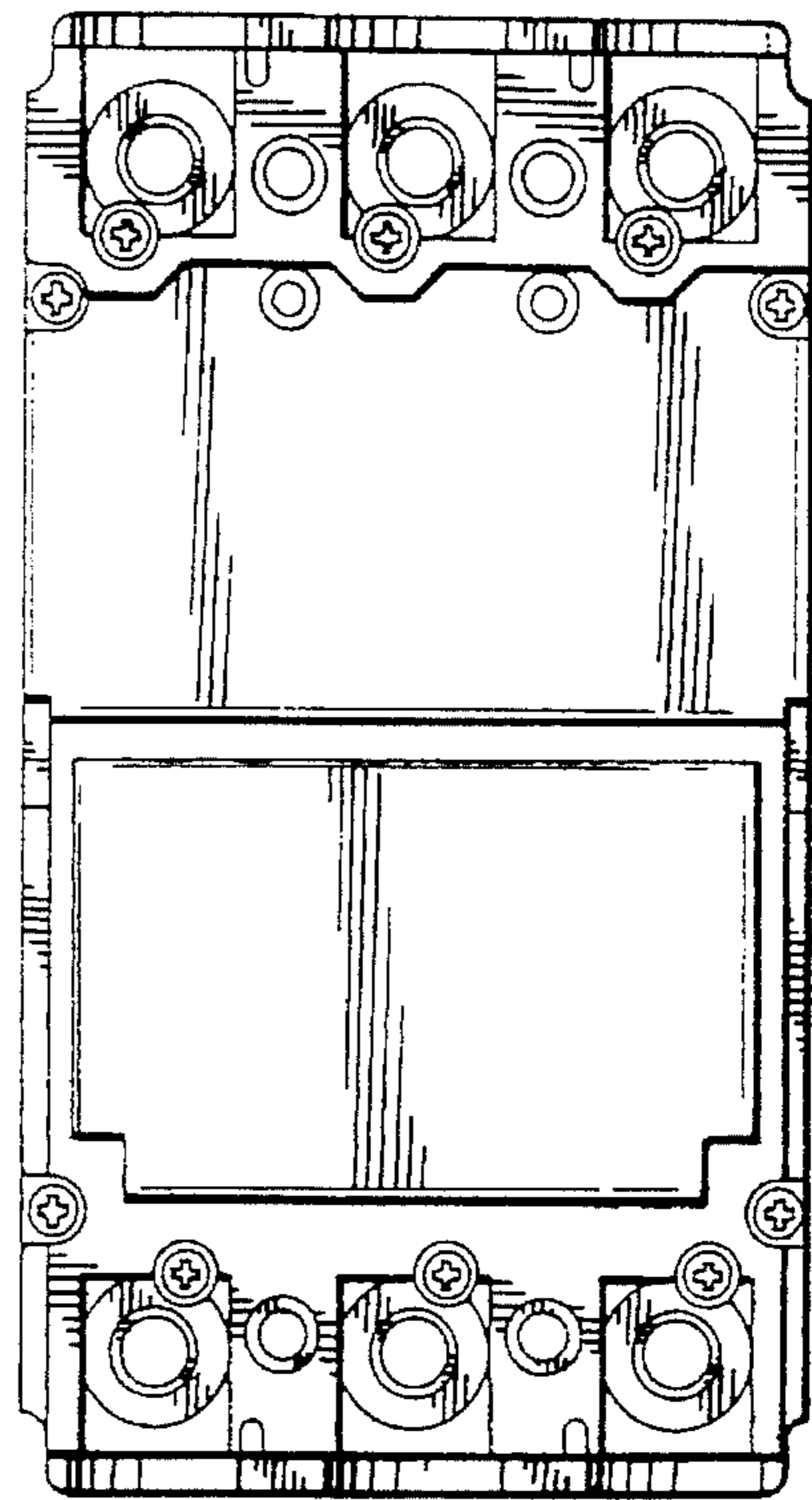
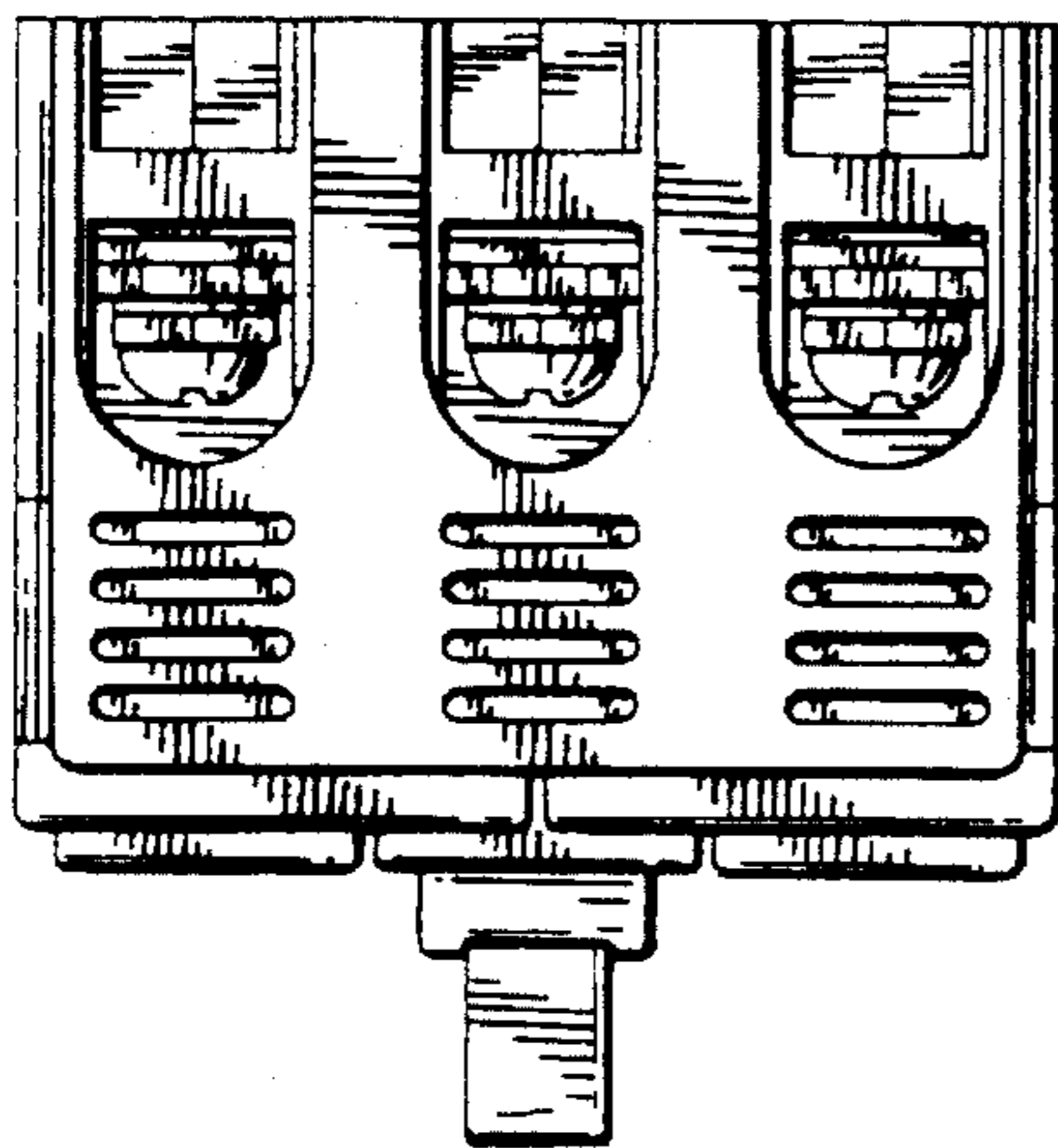
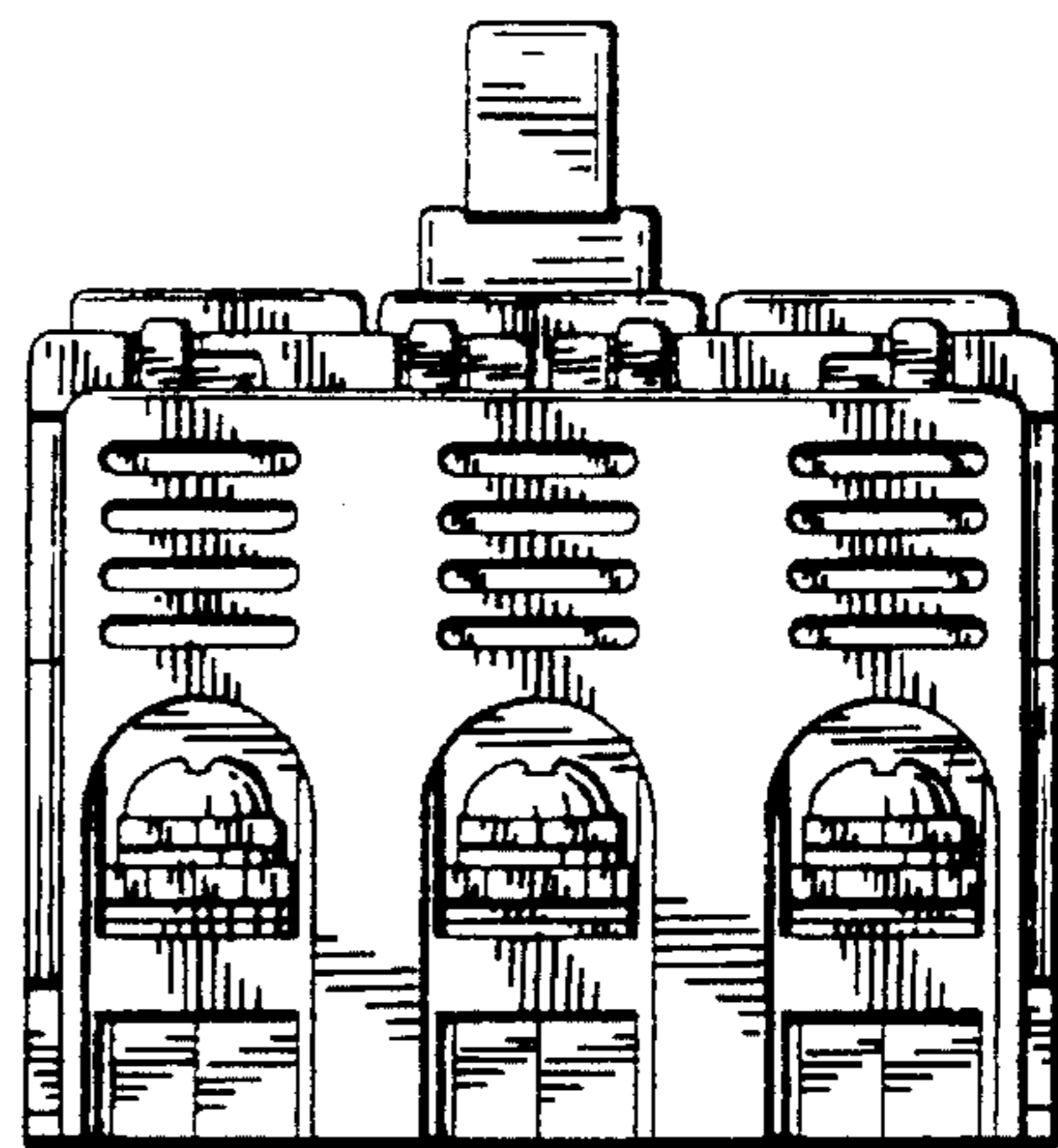


FIG. 2



7
FIG. 3



7
FIG. 4

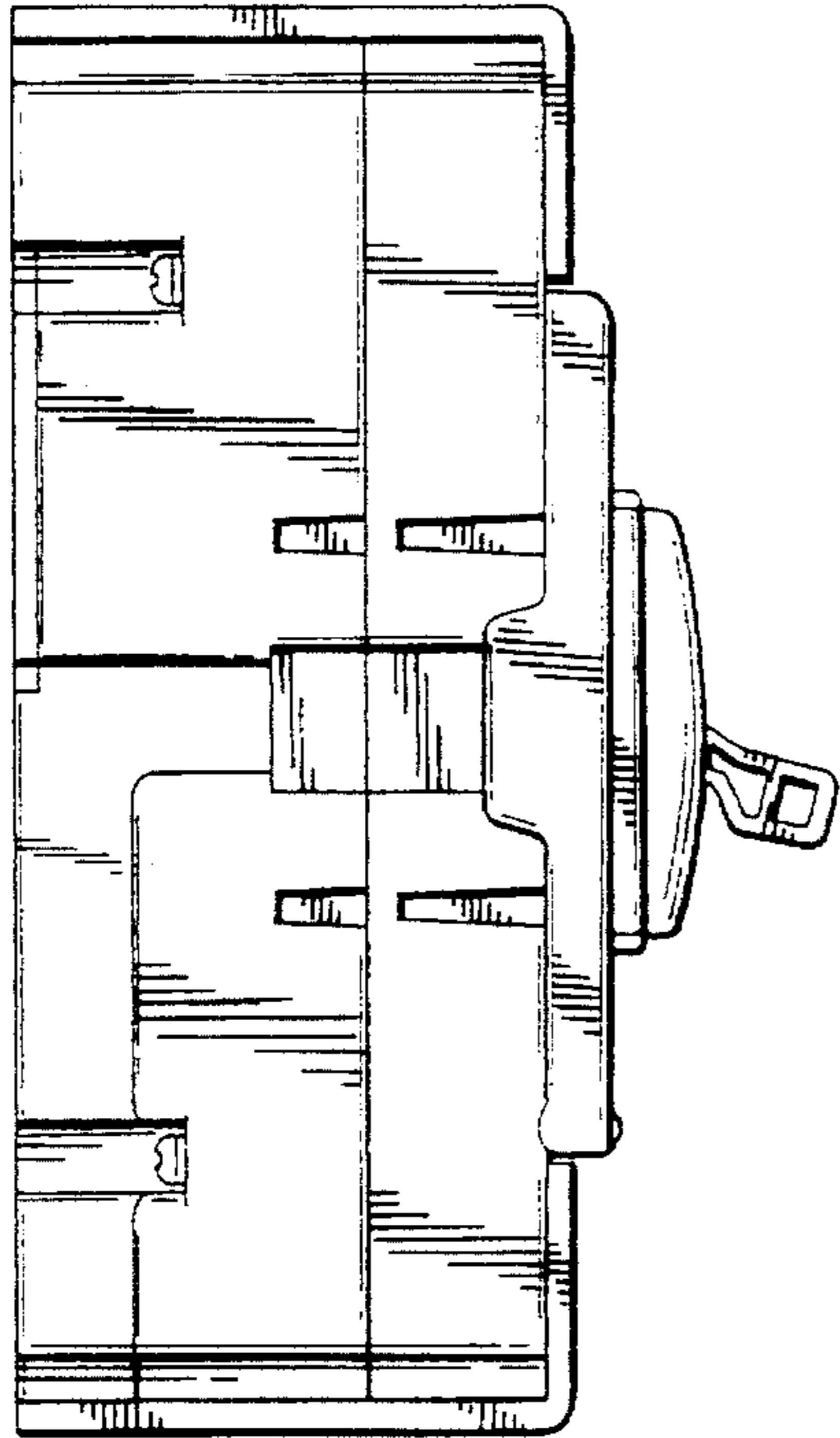


FIG. 5

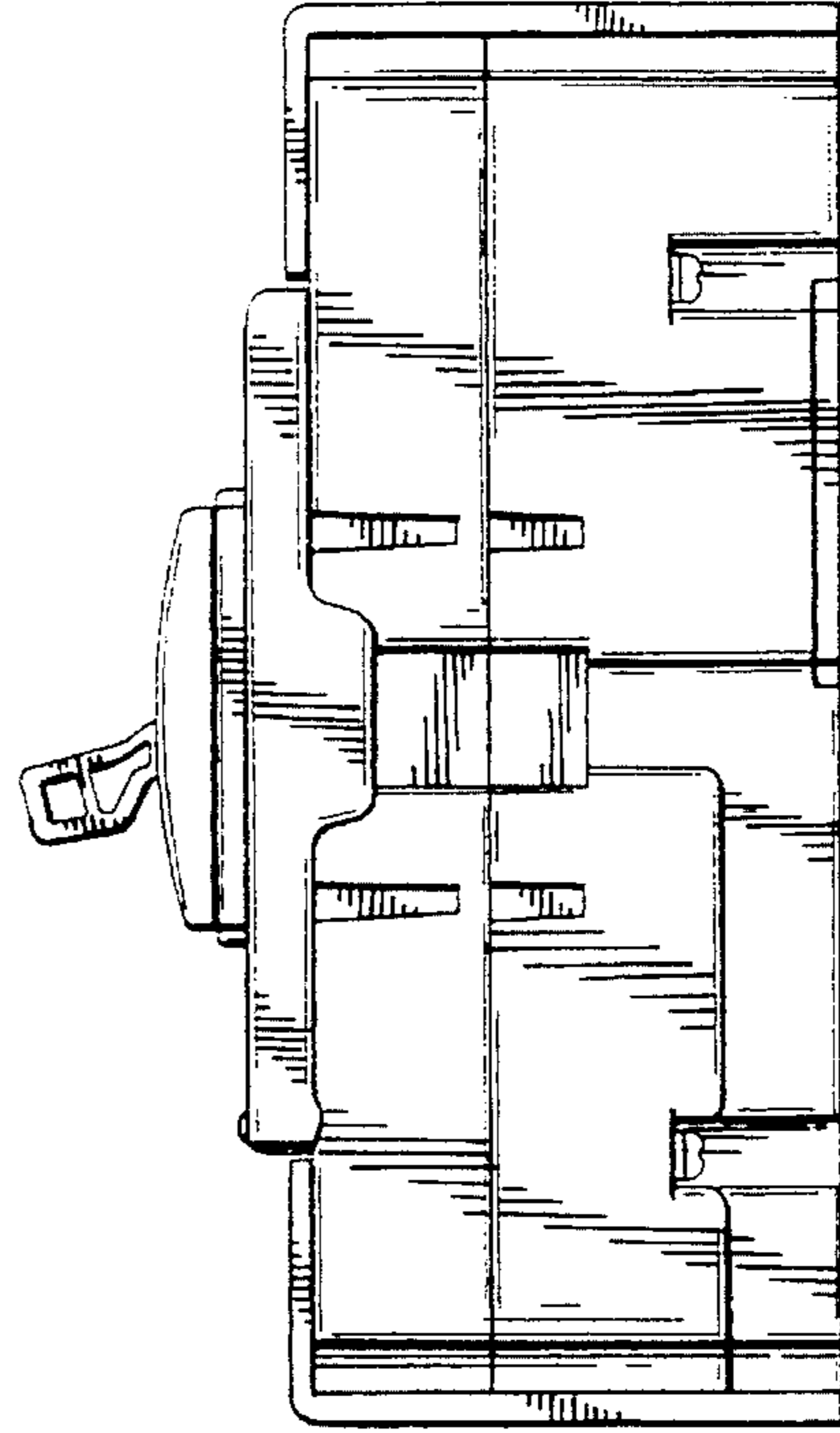


FIG. 6

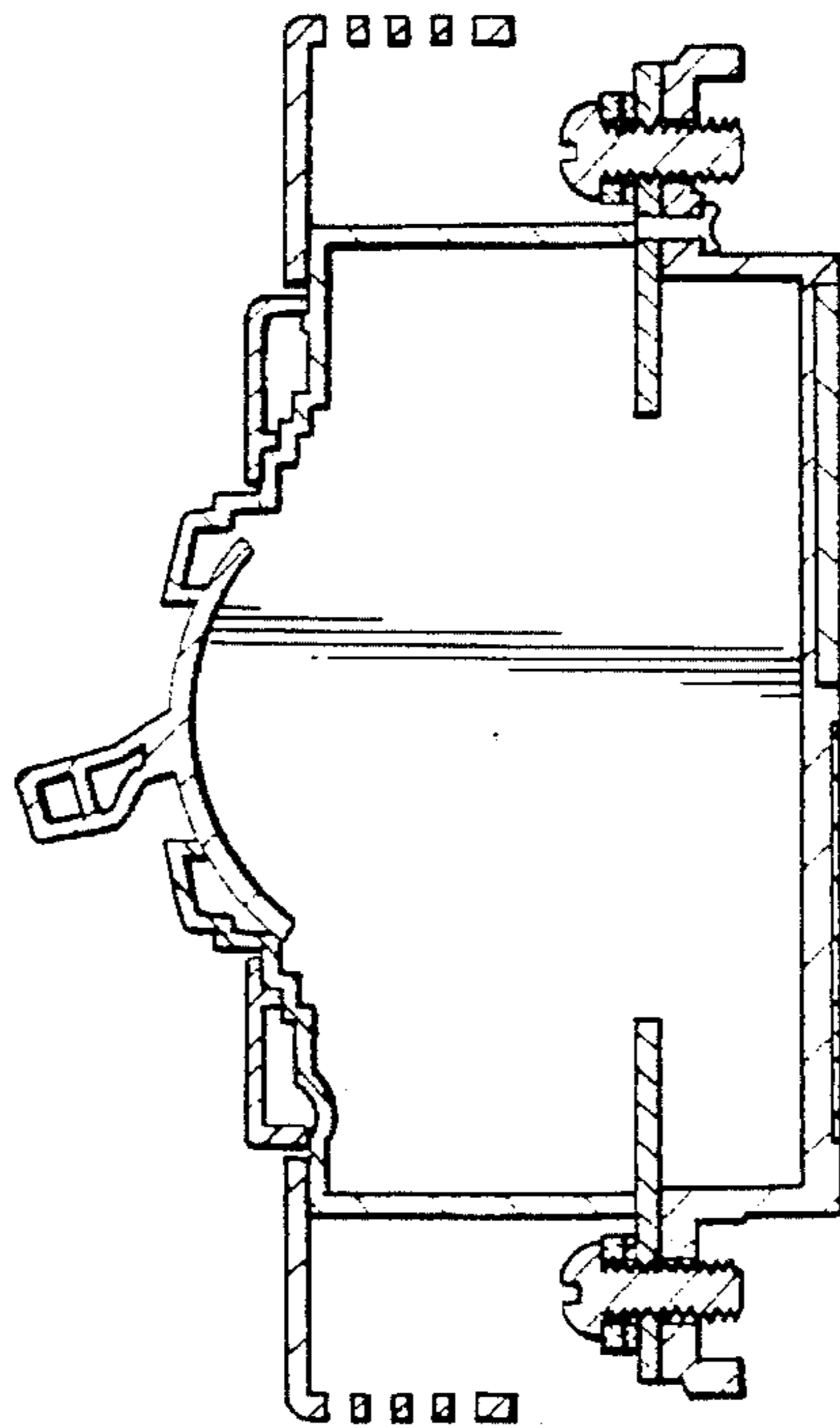


FIG. 7

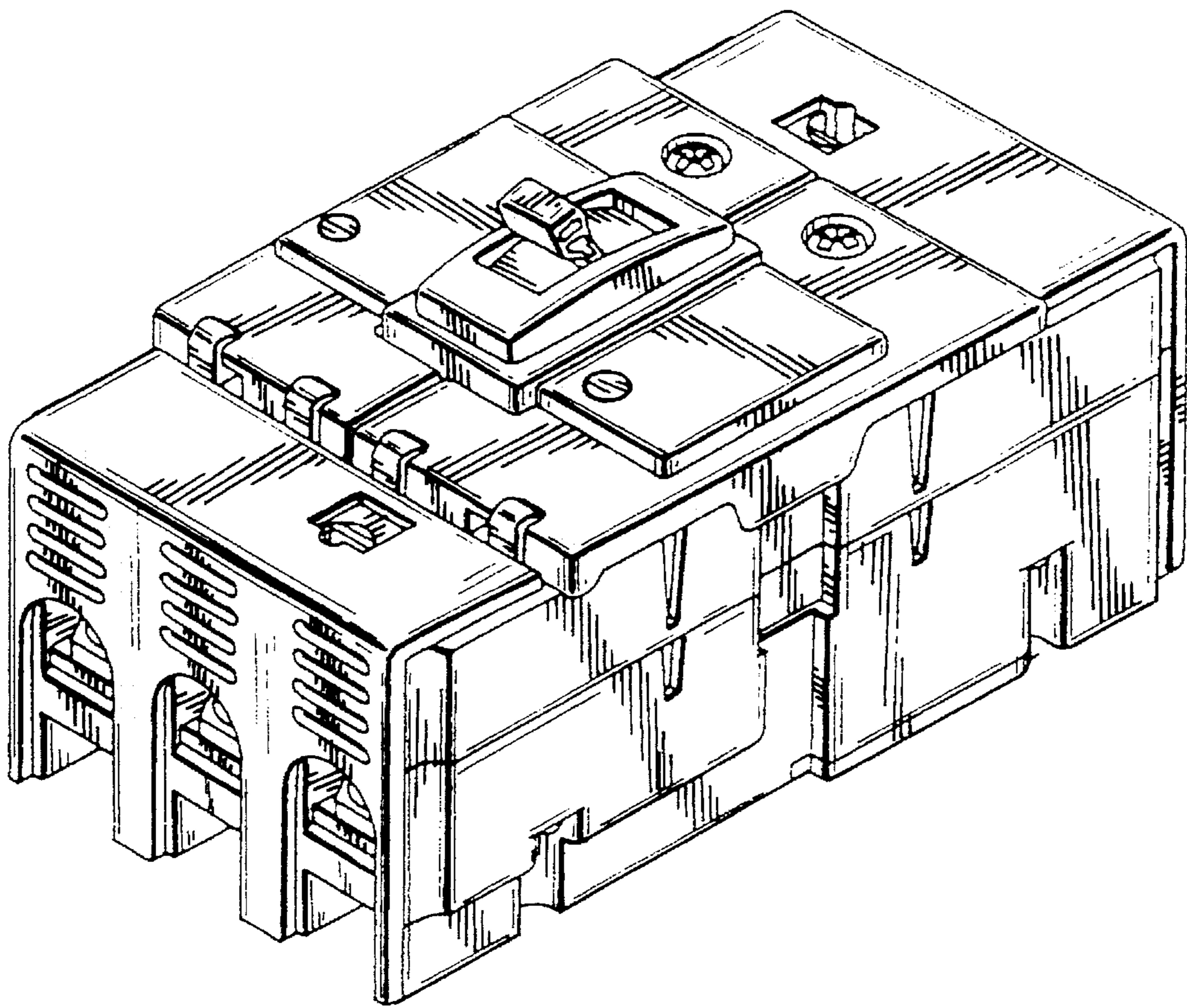


FIG. 8

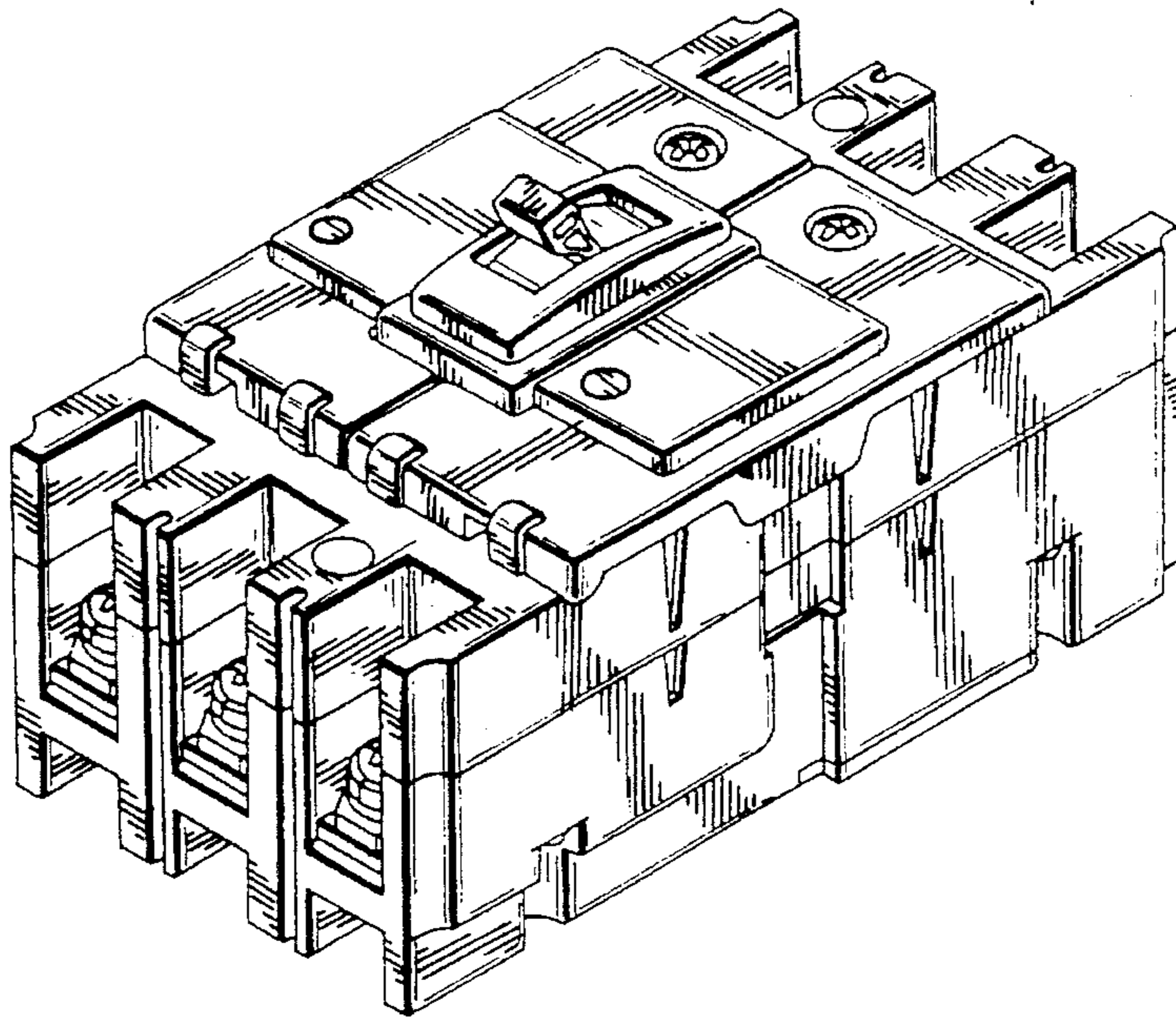


FIG. 9

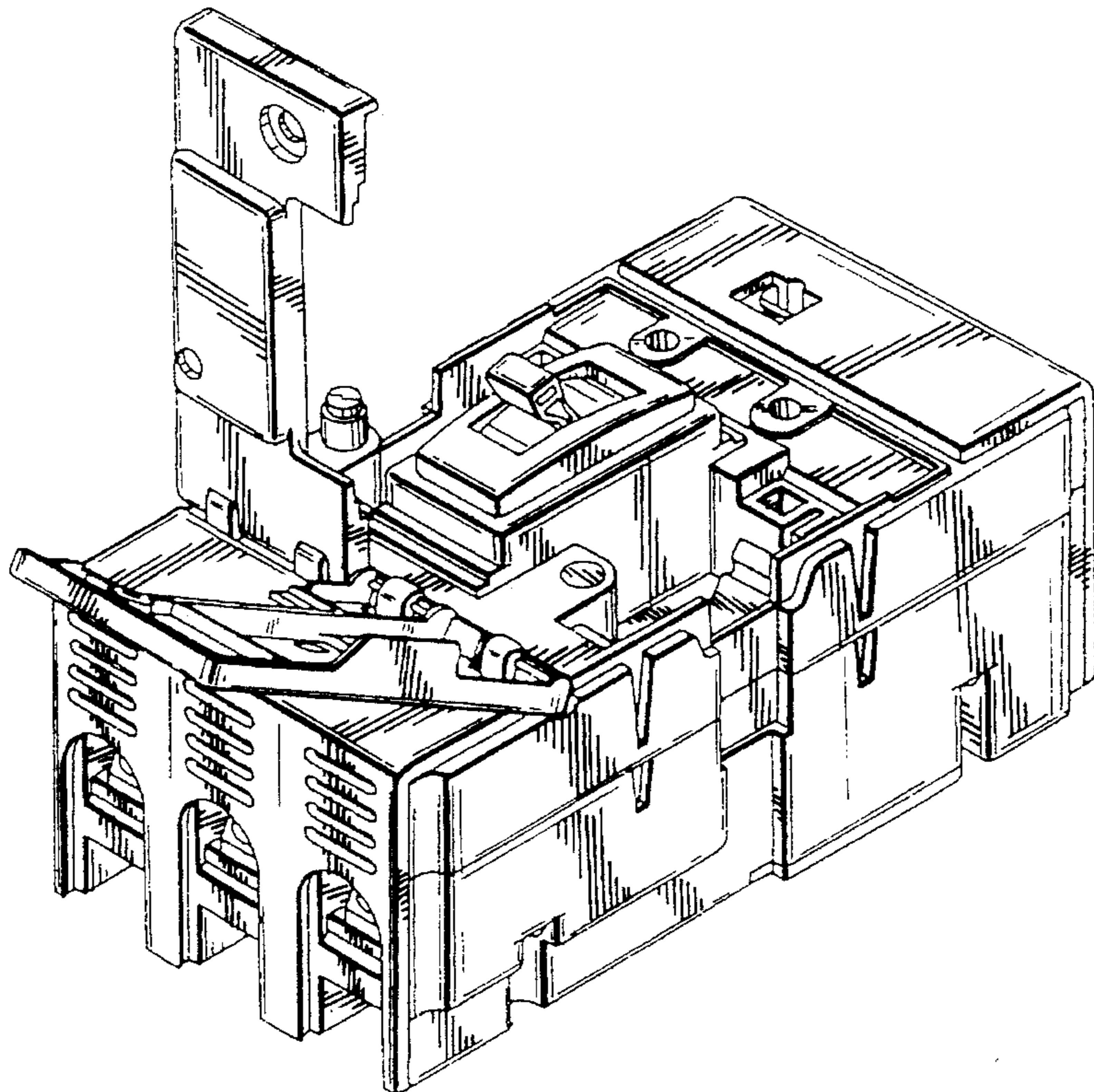


FIG. 10