



US00D367262S

United States Patent [19]

[11] Patent Number: **Des. 367,262**

Lux

[45] Date of Patent: ****Feb. 20, 1996**

[54] **IN-LINE SWITCH**

4,659,161	4/1987	Holcomb	439/490
4,875,152	10/1989	Foster	439/490 X
5,007,857	4/1991	Wright	D13/139 X

[76] Inventor: **Daniel A. Lux**, 1041 Sunset Dr.,
Hermosa Beach, Calif. 90254

[**] Term: **14 Years**

Primary Examiner—Joel Sincavage
Attorney, Agent, or Firm—James A. Hudak

[21] Appl. No.: **34,542**

[57] **CLAIM**

[22] Filed: **Feb. 7, 1995**

The ornamental design for an in-line switch, as shown and described.

[52] U.S. Cl. **D13/142**

[58] Field of Search D13/139, 142,
D13/160; 439/490, 620, 651; 200/51 R,
51 LM, 52.02; 307/114

DESCRIPTION

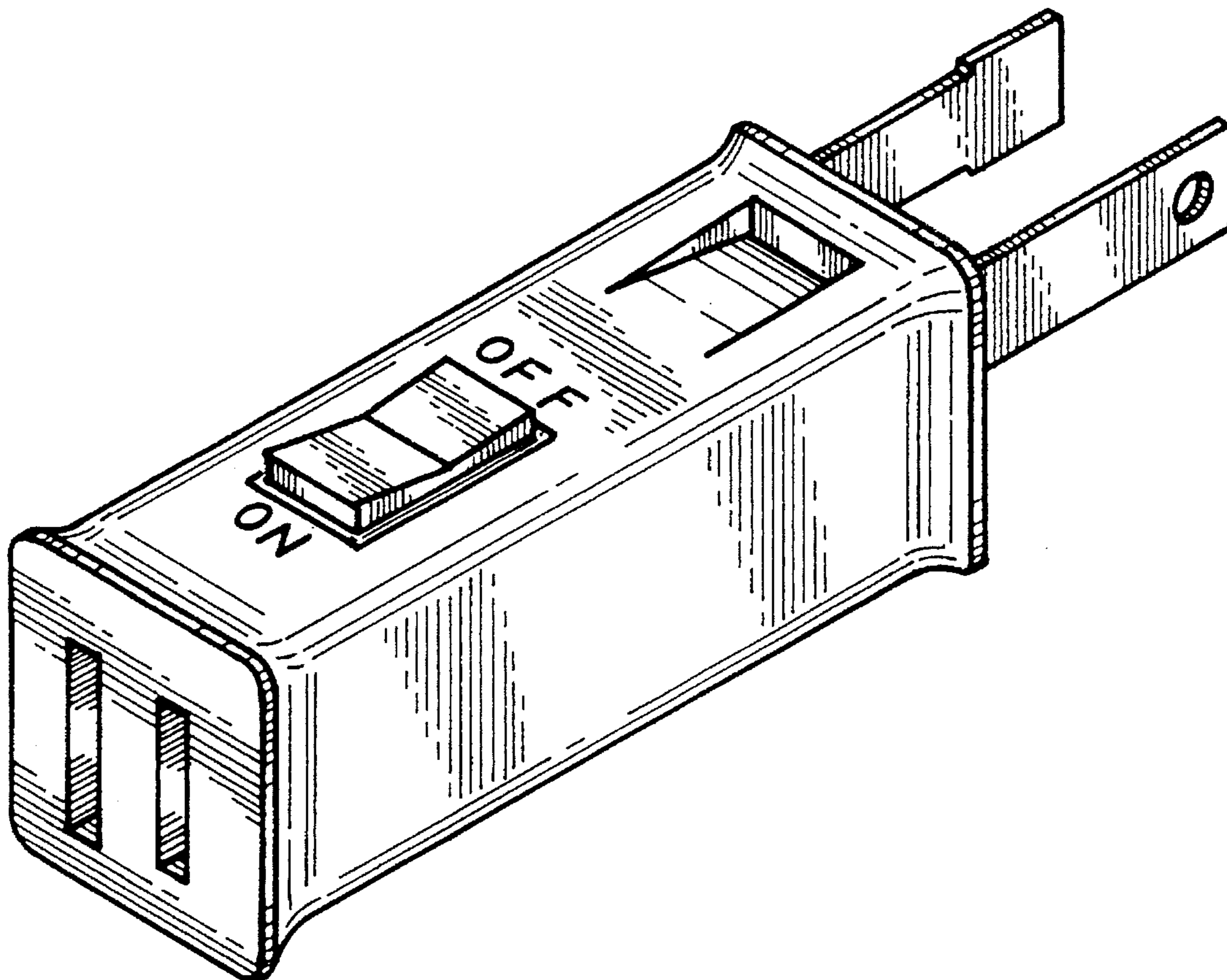
FIG. 1 is a perspective view of the in-line switch showing my new design;
FIG. 2 is a rear elevational view thereof;
FIG. 3 is a front elevational view thereof;
FIG. 4 is a left side elevational view thereof;
FIG. 5 is a right side elevational view thereof;
FIG. 6 is a top plan view thereof; and,
FIG. 7 is a bottom plan view thereof.

[56] **References Cited**

U.S. PATENT DOCUMENTS

D. 295,622	5/1988	Good et al.	D13/139
D. 332,252	1/1993	Kovacik et al.	D13/142
2,484,092	10/1949	Hopgood	307/114
2,706,225	9/1952	Freeman	200/51.02
3,324,260	6/1967	Schumacher	200/51 R

1 Claim, 3 Drawing Sheets



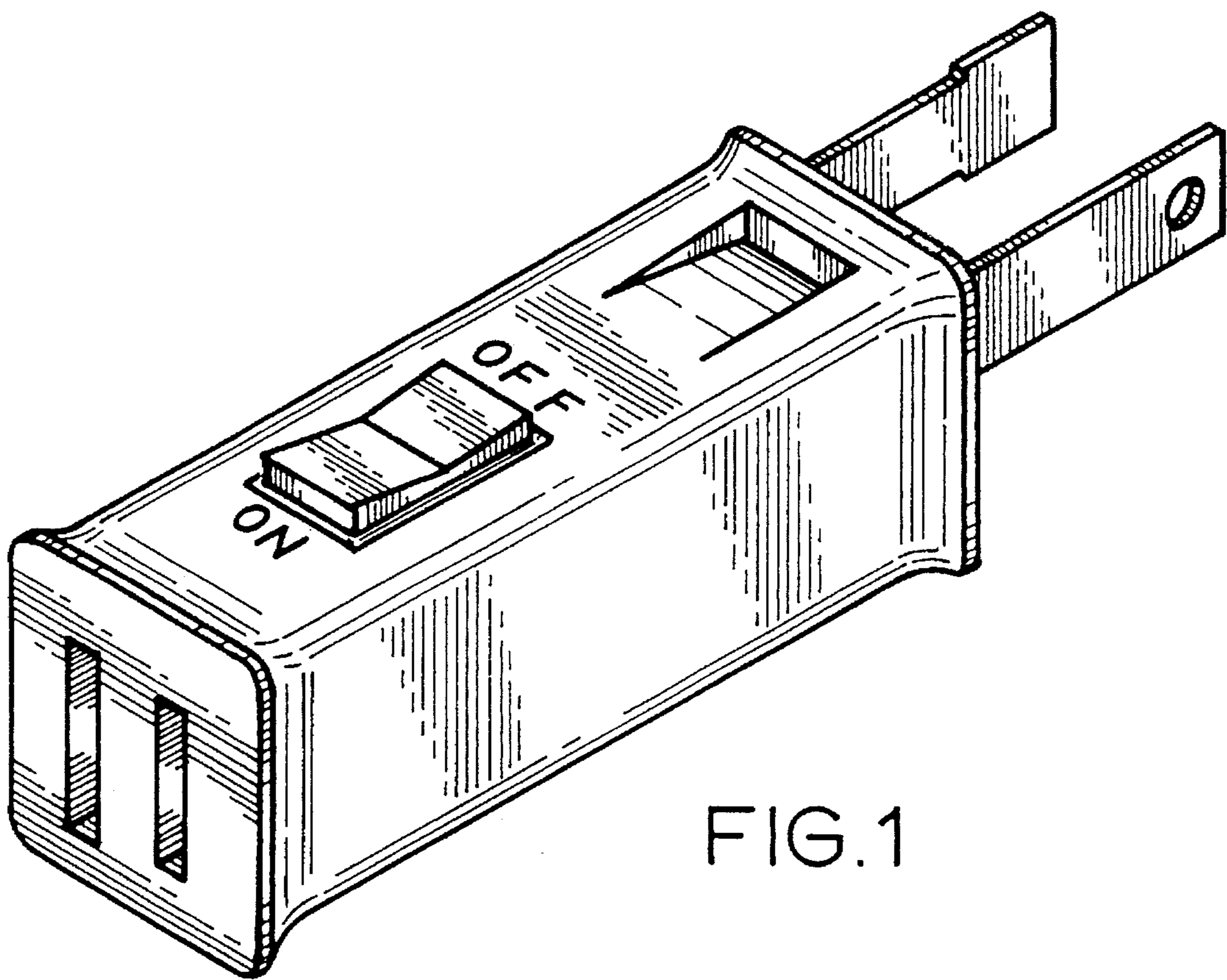


FIG.1

FIG. 6

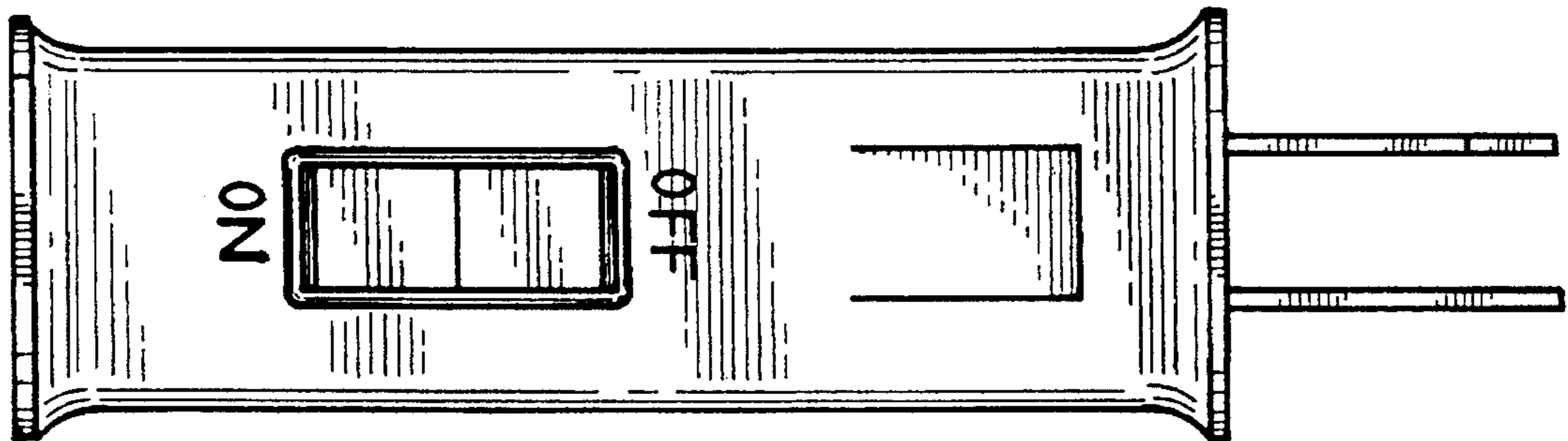


FIG. 2

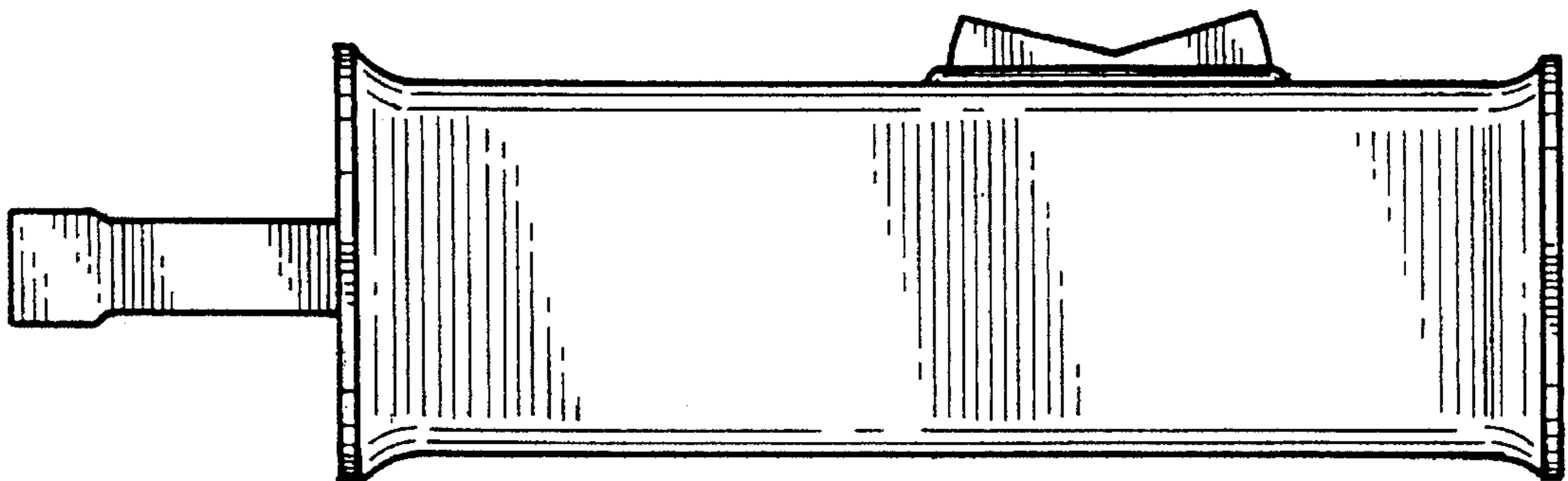
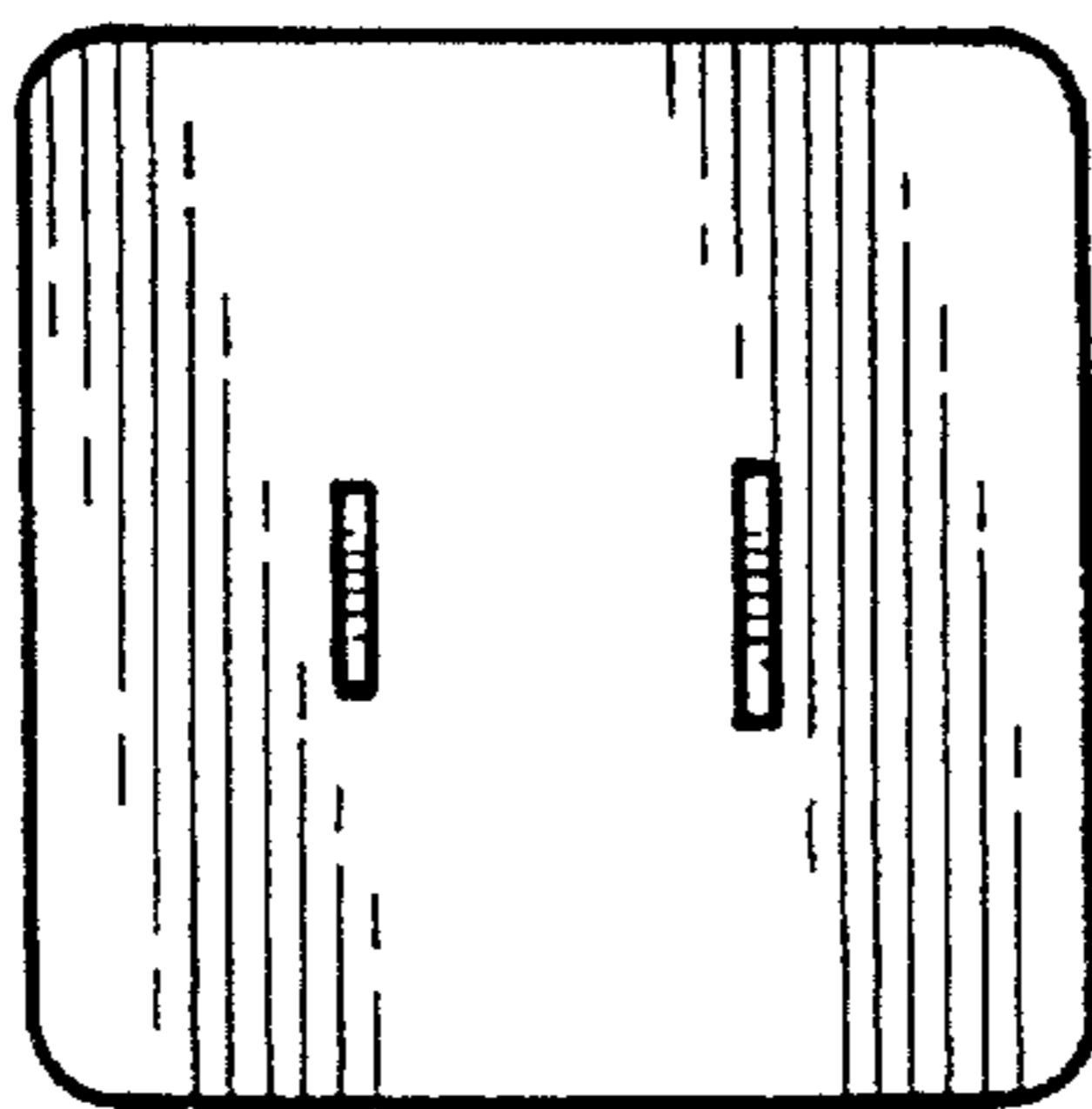


FIG. 4

FIG. 5

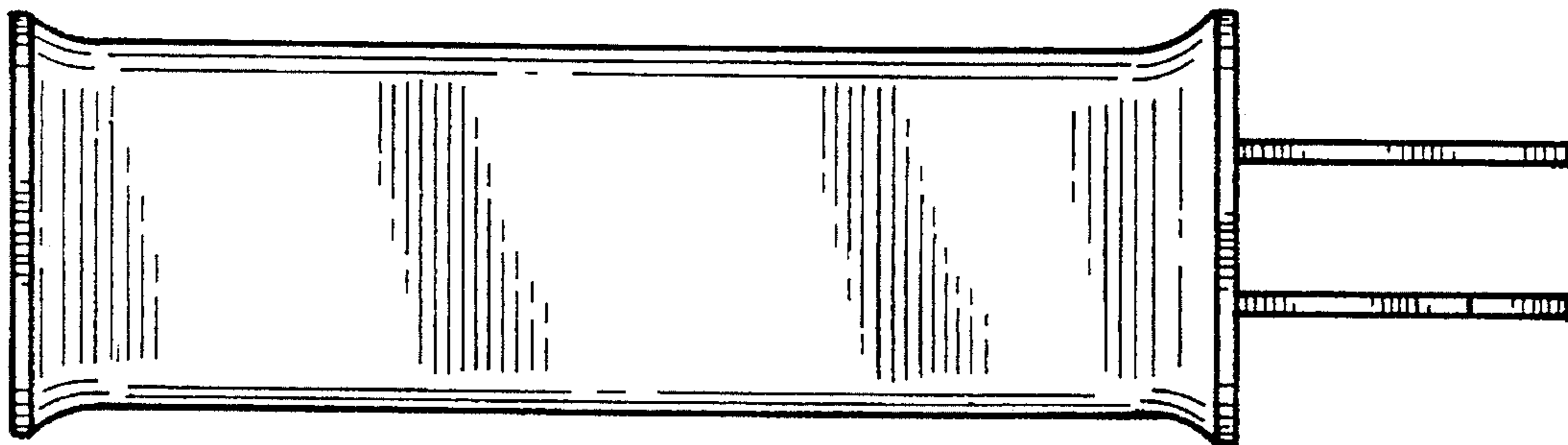
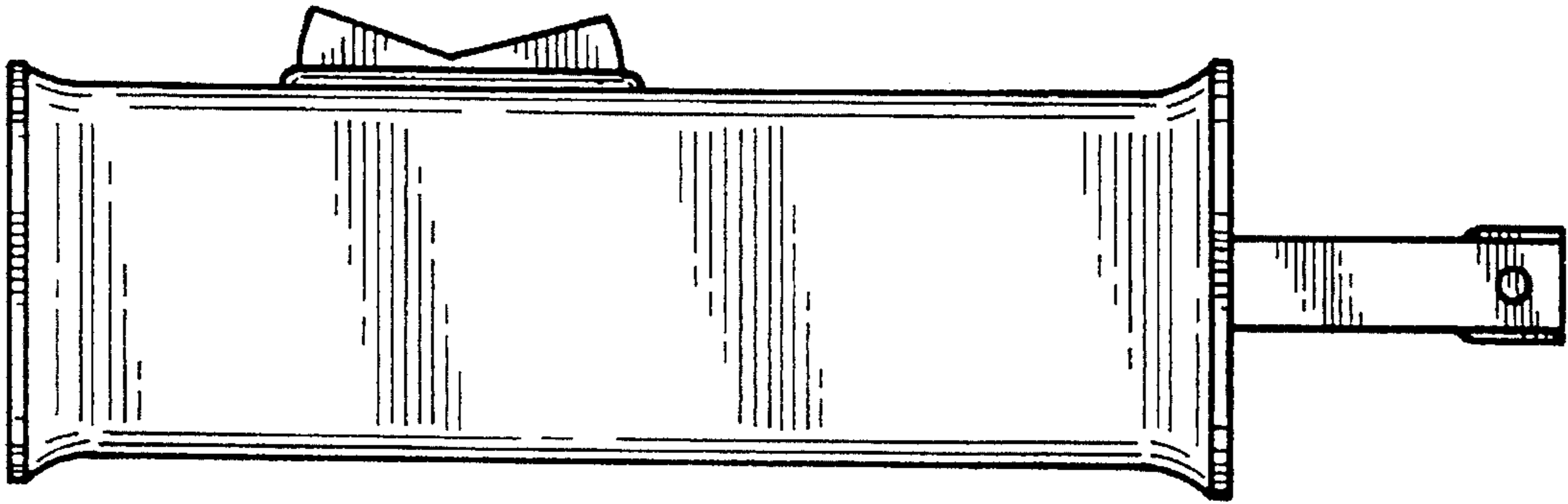


FIG. 7

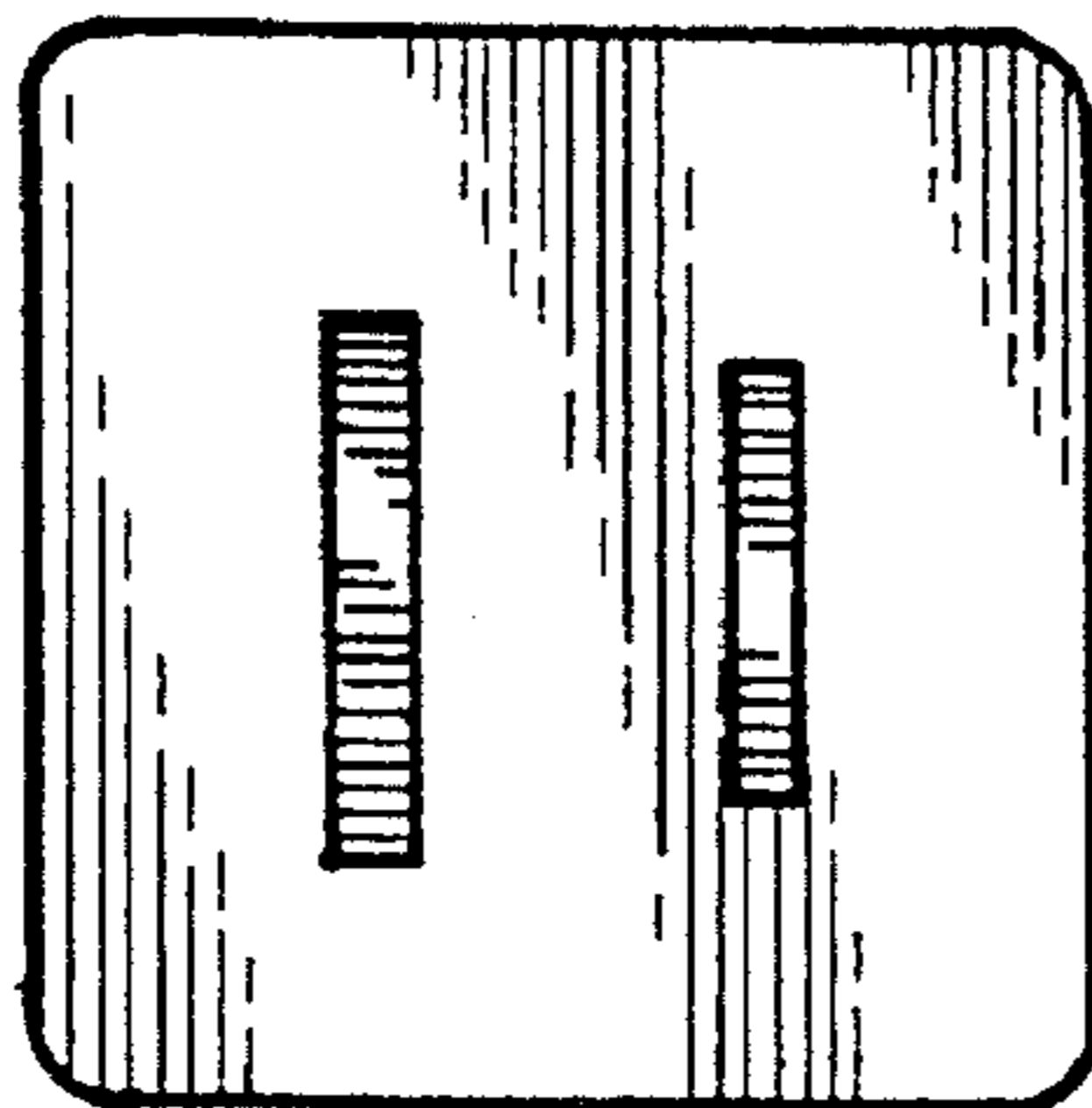


FIG. 3