



US00D367261S

# United States Patent [19]

Hansen

[11] Patent Number: **Des. 367,261**

[45] Date of Patent: **\*\*Feb. 20, 1996**

[54] **PLUG WITH INDICATOR LIGHT**

[76] Inventor: **Carl R. Hansen**, 1805 Aspen Drive,  
Dawson Creek, British Columbia,  
Canada, V1G 2S5

[\*\*] Term: **14 Years**

[21] Appl. No.: **36,474**

[22] Filed: **Mar. 21, 1995**

[52] U.S. Cl. .... **D13/138**

[58] Field of Search ..... D13/137, 138,  
D13/140, 142, 160; 439/490, 501, 502;  
200/51.02, 51 R, 51 LM; 307/114

[56] **References Cited**

**U.S. PATENT DOCUMENTS**

D. 307,579	5/1990	Layne et al. ....	D13/140
D. 358,368	5/1995	Howard et al. ....	D13/160
3,983,407	9/1976	Shott .....	D13/138 X
4,671,597	6/1987	Grill .....	362/253

4,969,834	11/1990	Johnson .....	439/490 X
5,007,857	4/1991	Wright .....	439/490
5,320,560	6/1994	Fladung .....	439/490

*Primary Examiner*—Joel Sincavage  
*Attorney, Agent, or Firm*—James A. Hudak

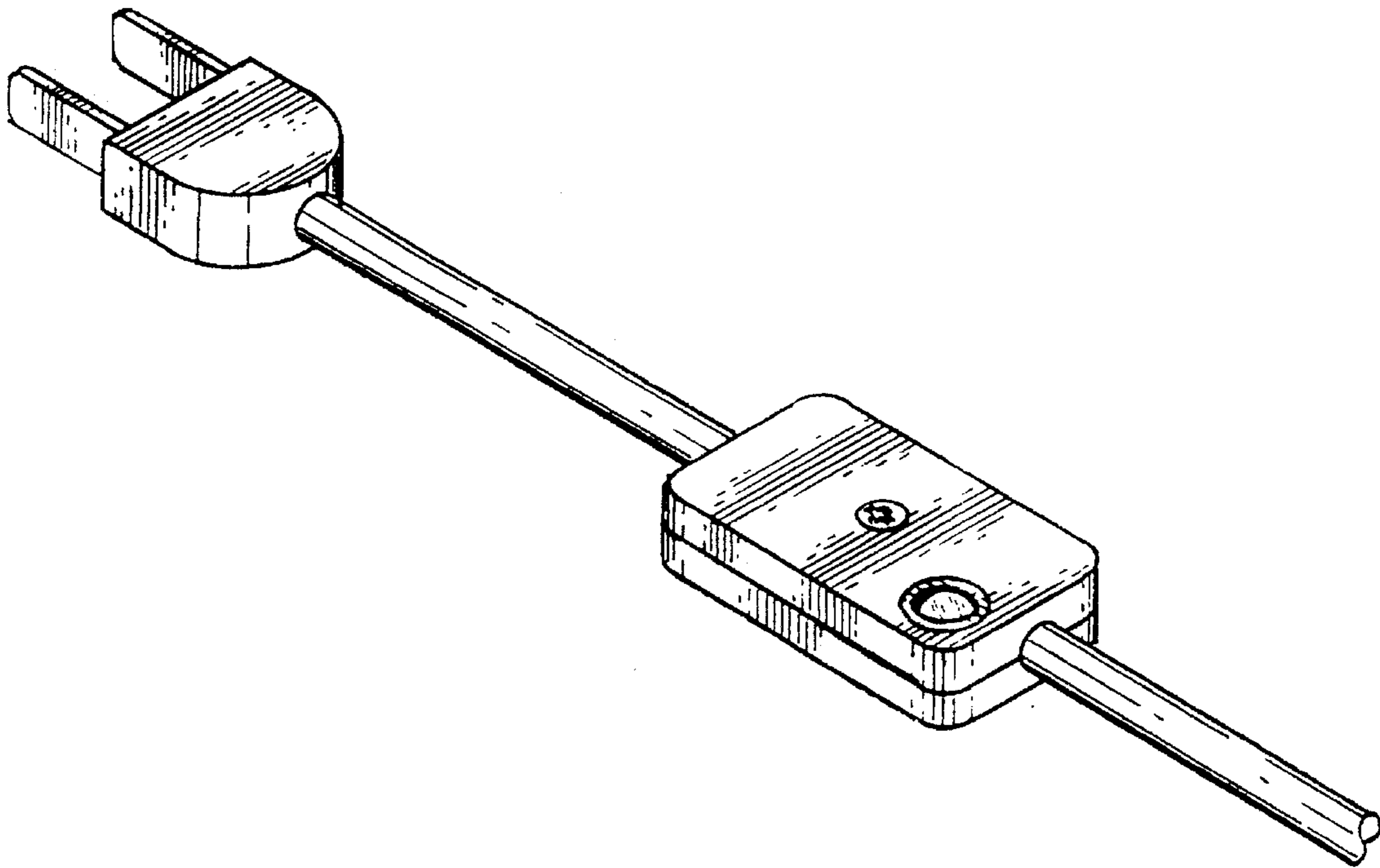
[57] **CLAIM**

The ornamental design for an plug with indicator light, as shown and described.

**DESCRIPTION**

FIG. 1 is a perspective view of the plug with indicator light showing my new design; FIG. 2 is a front elevational view thereof, the rear elevational view being a mirror image of the view shown in this Figure; FIG. 3 is a left side elevational view thereof; FIG. 4 is a right side elevational view thereof; FIG. 5 is a top plan view thereof; and, FIG. 6 is a bottom plan view thereof.

**1 Claim, 2 Drawing Sheets**



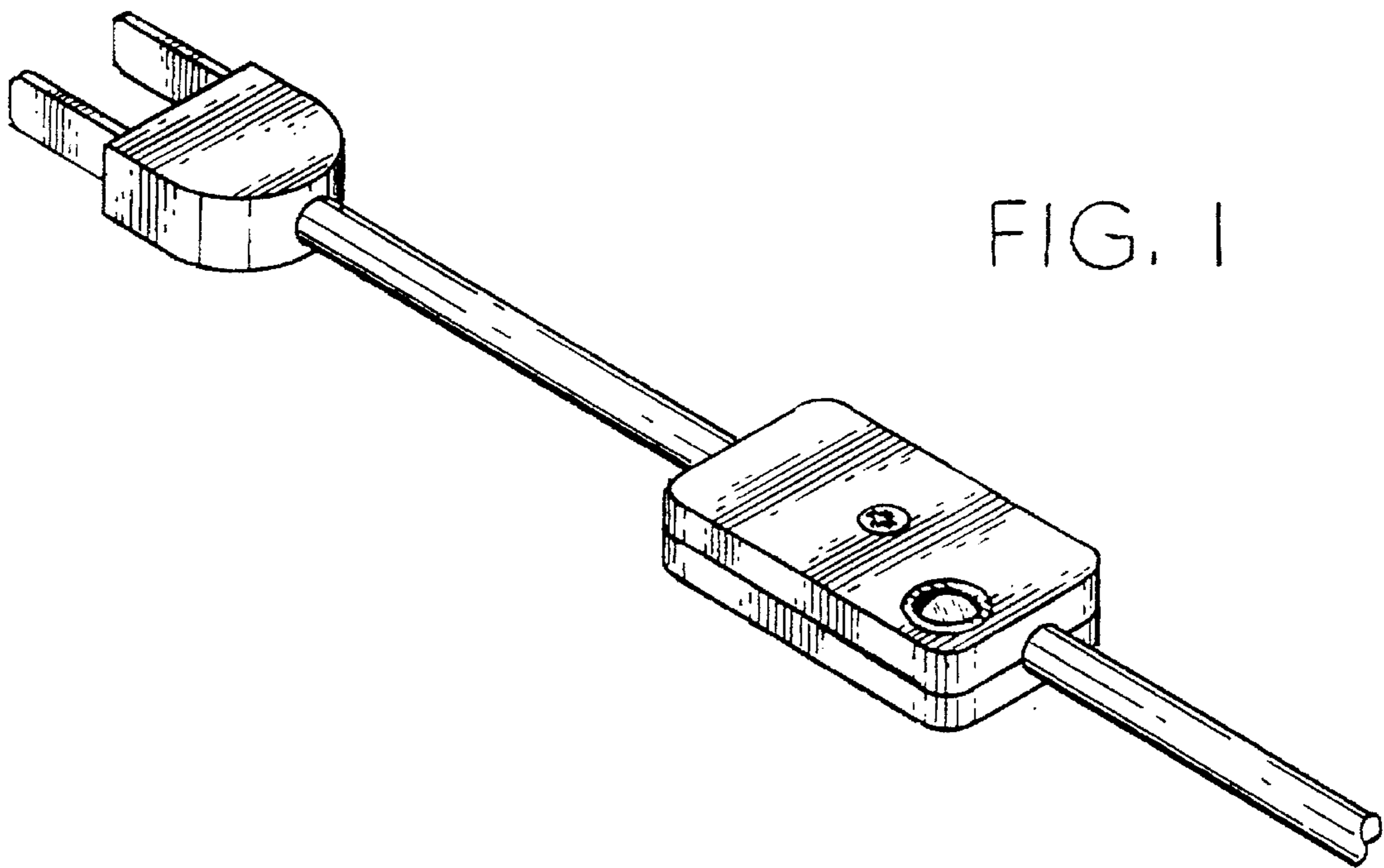


FIG. 1

FIG. 2

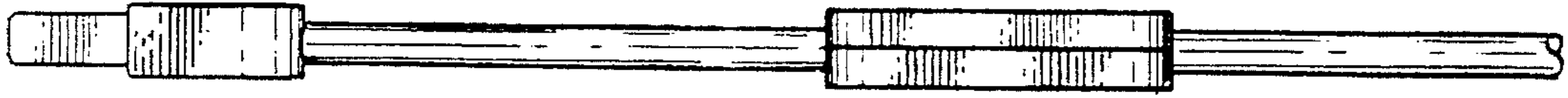


FIG. 3



FIG. 4



FIG. 5

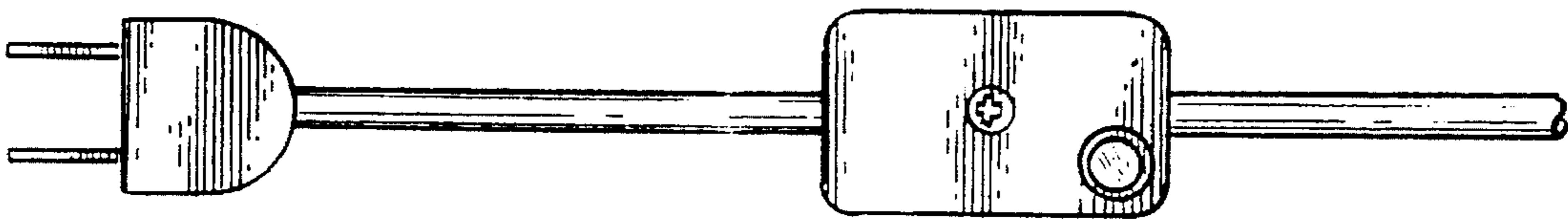


FIG. 6

