



US00D367260S

United States Patent [19] Yarmark

[11] Patent Number: **Des. 367,260**

[45] Date of Patent: ****Feb. 20, 1996**

[54] LIGHT FIXTURE SOCKET

[75] Inventor: **Martin J. Yarmark**, Huntingdon Valley, Pa.

[73] Assignee: **Triboro Electric Corp.**, Doylestown, Pa.

[**] Term: **14 Years**

[21] Appl. No.: **23,221**

[22] Filed: **May 19, 1994**

[52] U.S. Cl. **D13/134**

[58] Field of Search D13/134, 136;
439/11, 300, 336, 419, 558, 602, 605, 641,
642, 660, 672, 699, 731

[56] References Cited

U.S. PATENT DOCUMENTS

774,404	11/1904	Swan	439/672	X
1,700,538	1/1929	Grant et al.	439/336	X
4,183,604	1/1980	Tjornhom, Sr.	439/300	
4,405,877	9/1983	Haraden et al.	439/11	X
4,432,593	2/1984	Waluk	439/731	X
4,850,900	11/1987	Yarmark	439/648	
5,150,008	9/1992	Lee	D13/134	X
5,199,783	4/1993	Pelton	439/642	X

OTHER PUBLICATIONS

Leviton sockets on p. 114 of *Home Lighting & Accessories*, Oct. 1989.

Triboro Threaded Phenolic Lampholders, pp. 35, 39 and 55 of Triboro Catalog.

Primary Examiner—Joel Sincavage

Attorney, Agent, or Firm—Stroock & Stroock & Lavan

[57] CLAIM

The ornamental design for a light fixture socket, as shown and described.

DESCRIPTION

FIG. 1 is a perspective view of a light fixture socket showing my new design;

FIG. 2 is a top plan view thereof;

FIG. 3 is a side elevational view thereof;

FIG. 4 is a side elevational view rotated from the side elevational view substantially 90° from the view of FIG. 3;

FIG. 5 is a side elevational view thereof rotated substantially 180° from the view of FIG. 3;

FIG. 6 is a bottom plan view thereof; and,

FIG. 7 is a side elevational view thereof rotated substantially 180° from the view of FIG. 4.

1 Claim, 4 Drawing Sheets

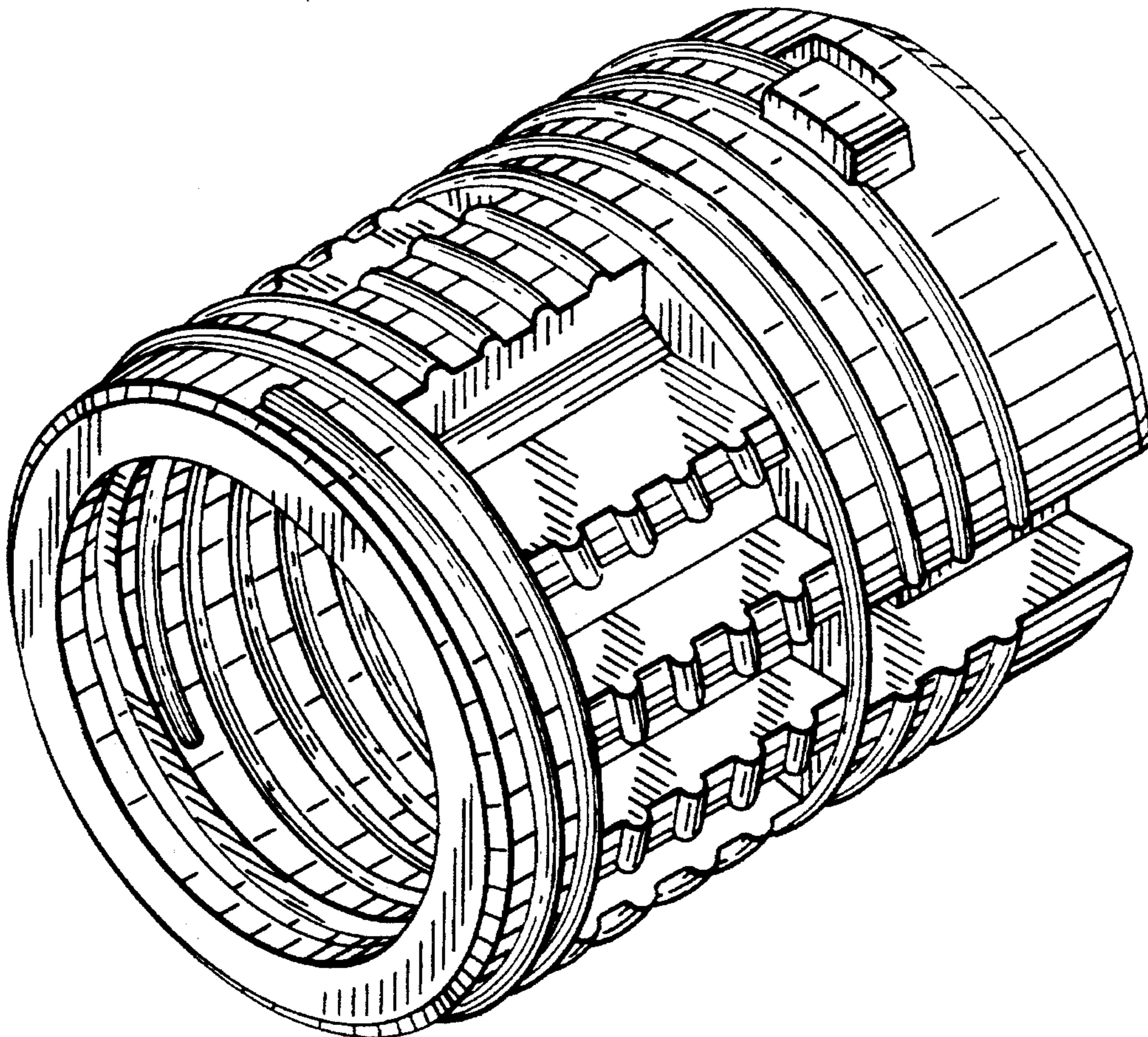


FIG. 1

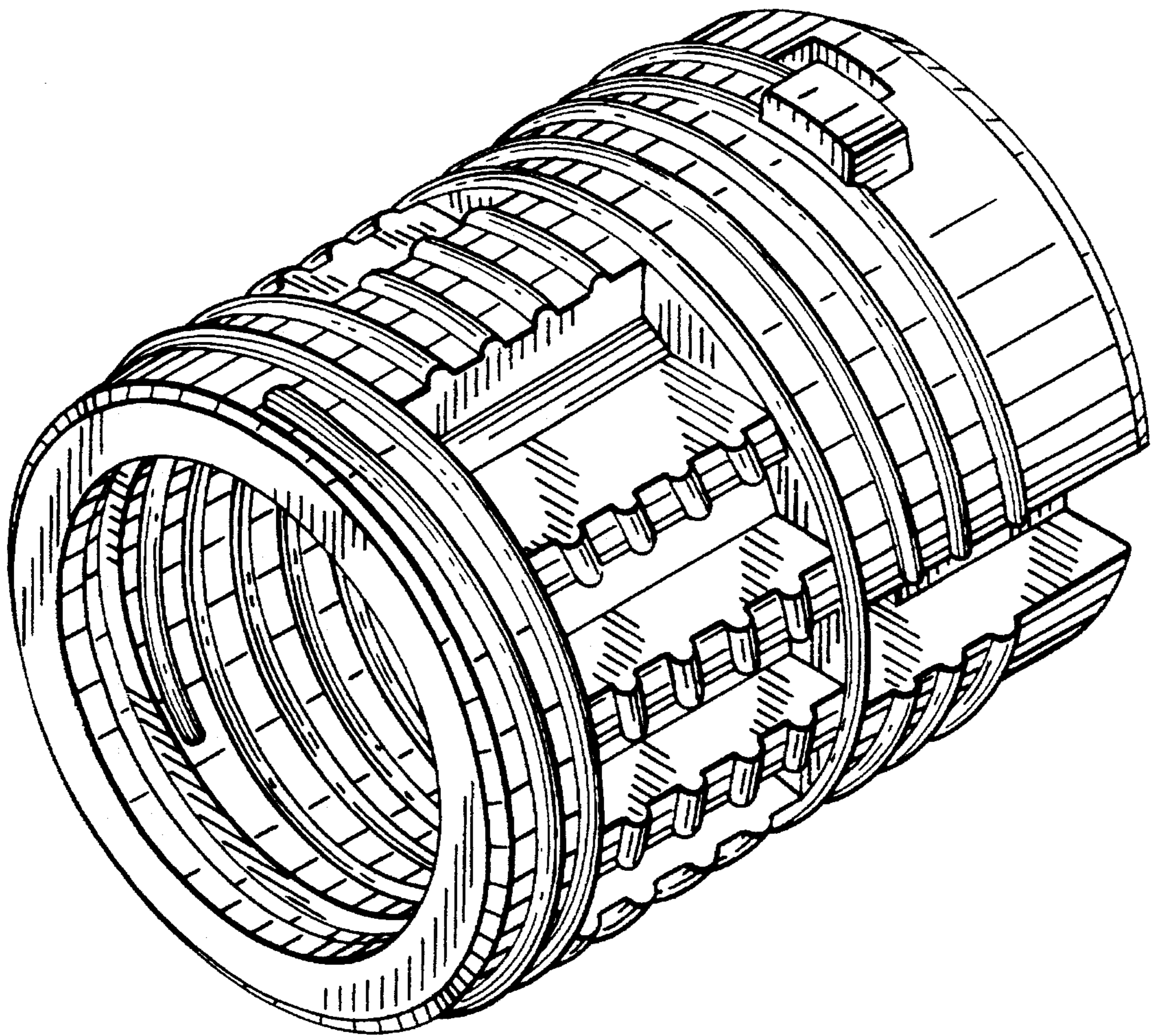


FIG. 2

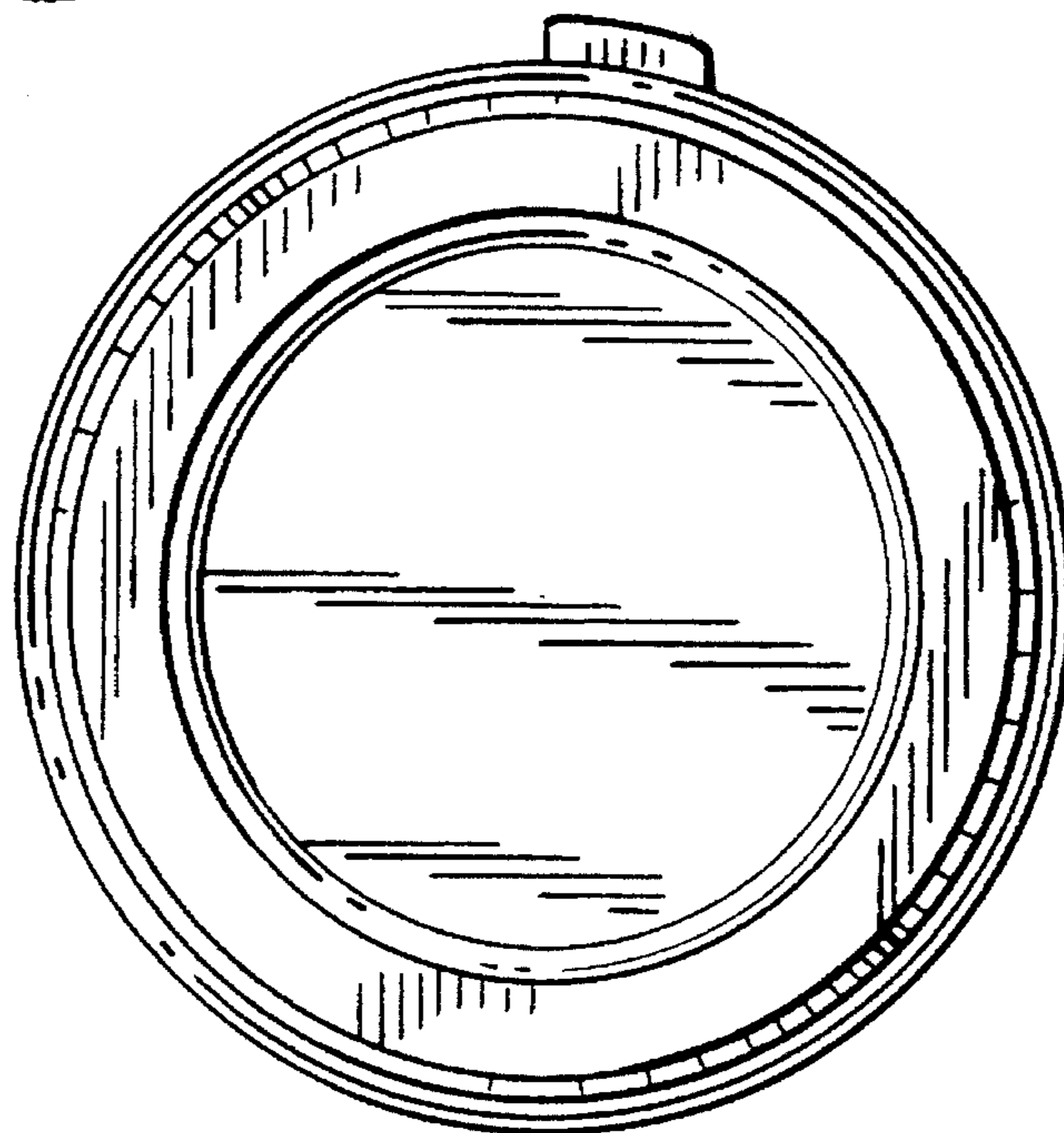


FIG. 3

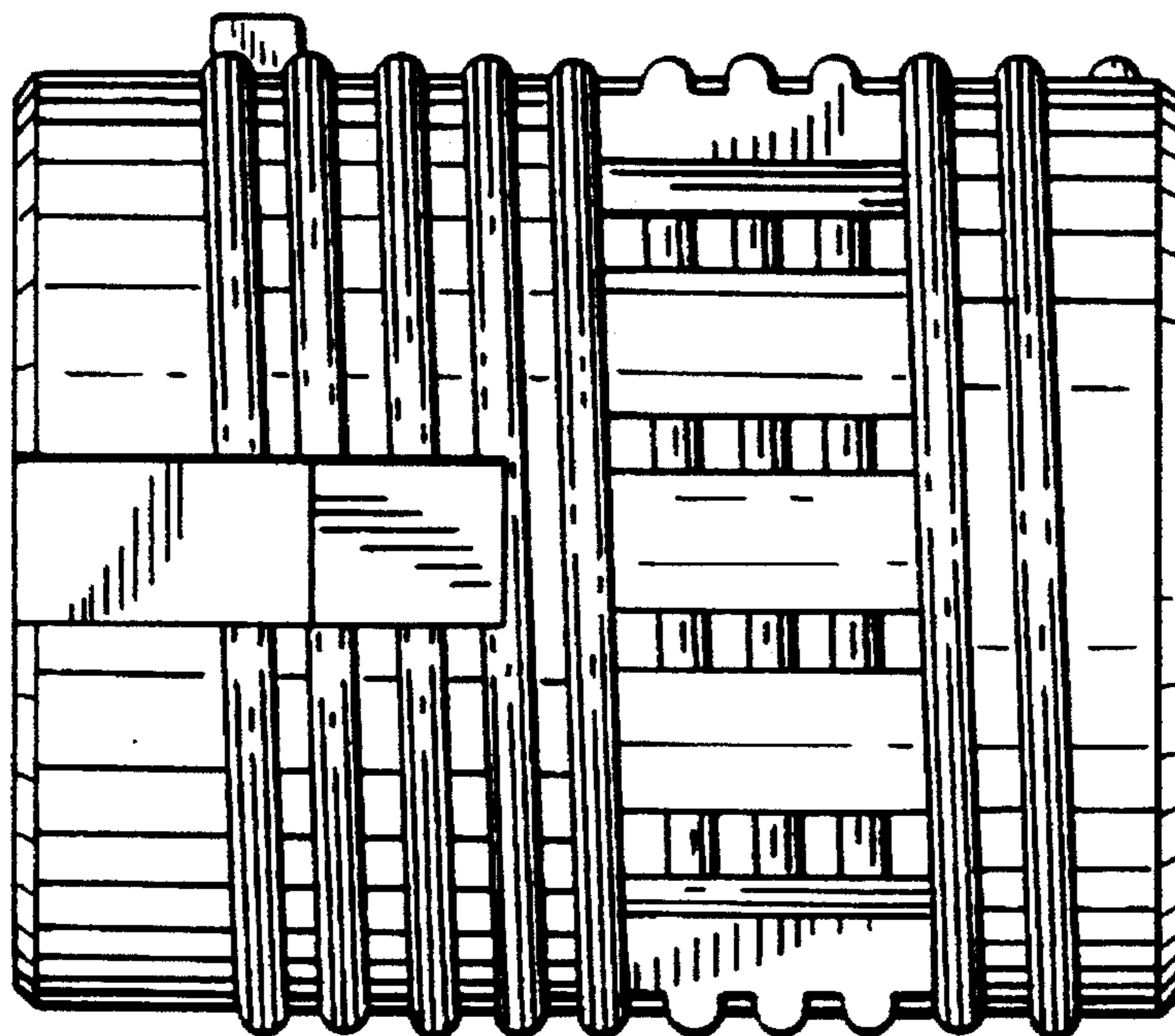


FIG. 4

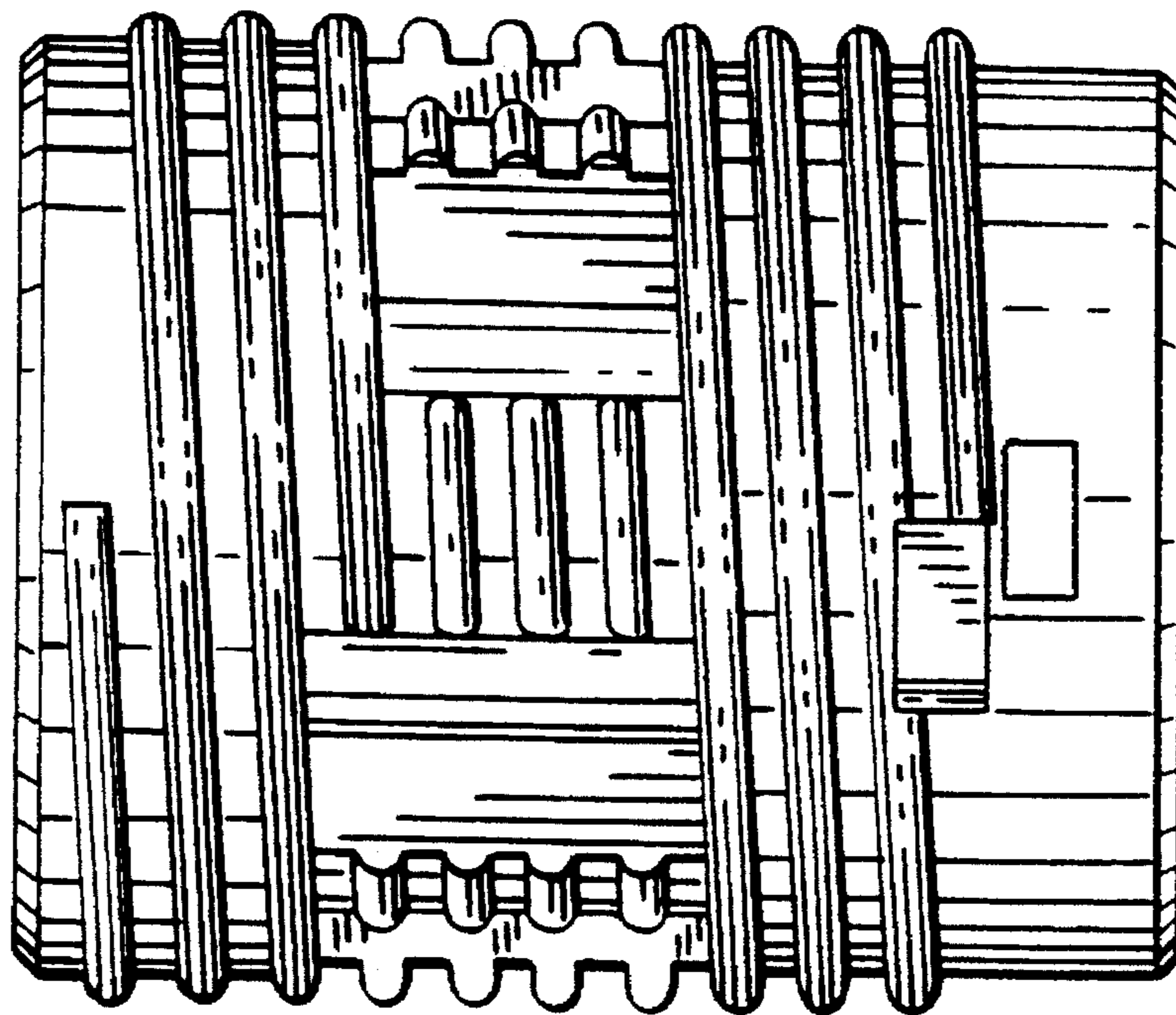


FIG. 5

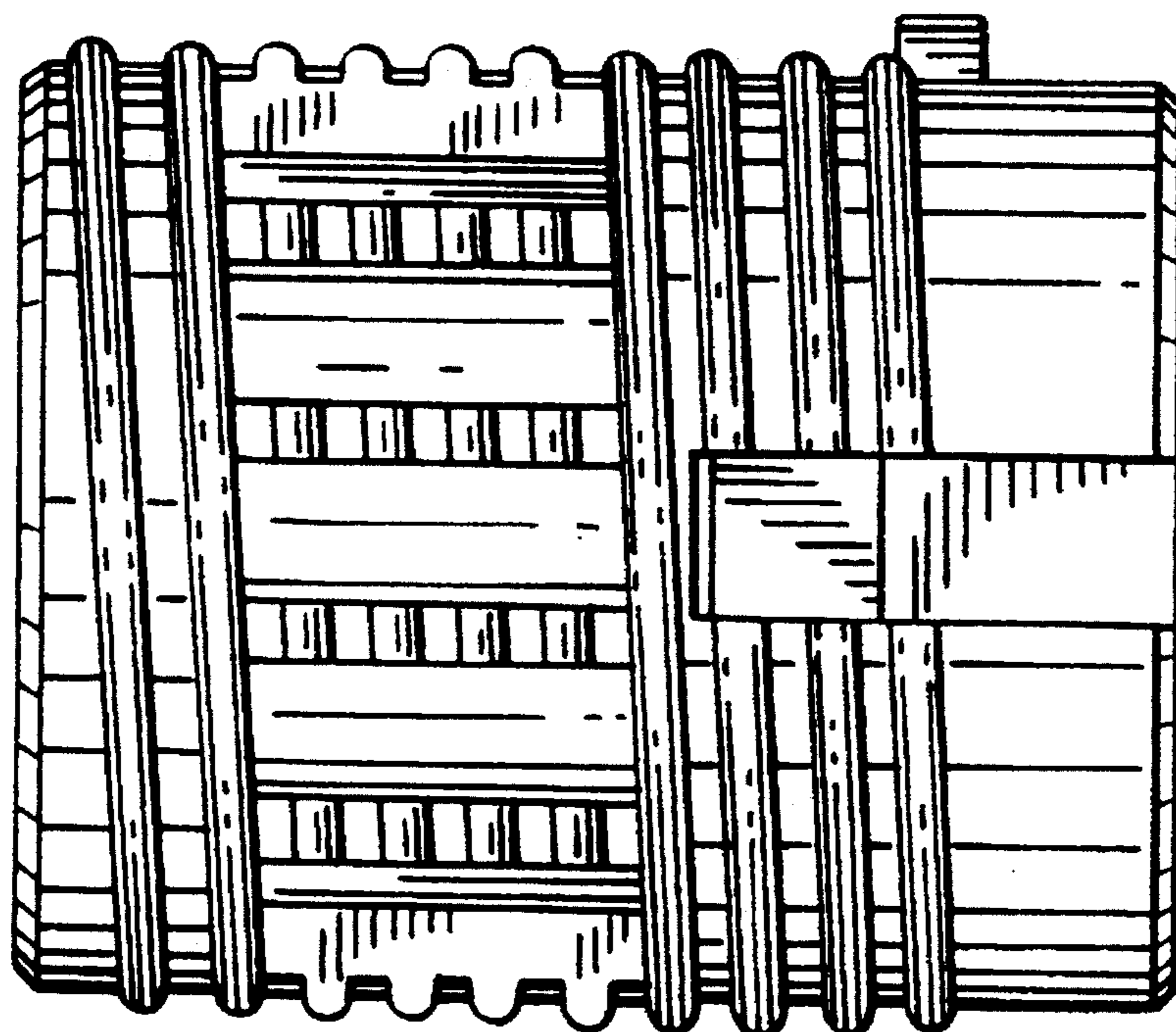


FIG. 6

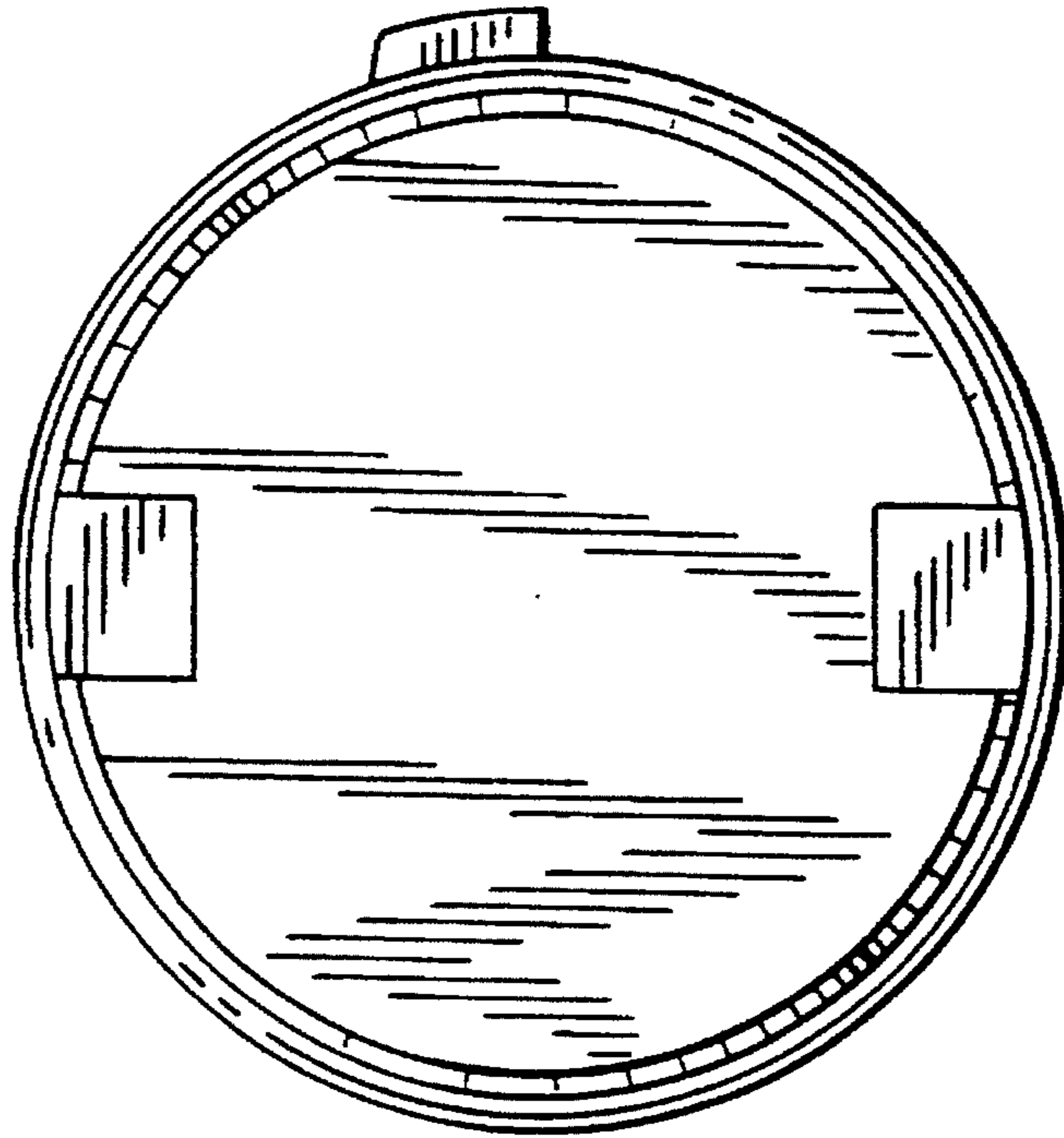


FIG. 7

