



US00D367258S

# United States Patent [19]

Olexa, Jr.

[11] Patent Number: **Des. 367,258**

[45] Date of Patent: **\*\*Feb. 20, 1996**

[54] **9.6V BATTERY ELIMINATOR CARTRIDGE**

[76] Inventor: **Bruce T. Olexa, Jr.**, 181 Briarwood Dr., Erma, N.J. 08204

[\*\*] Term: **14 Years**

[21] Appl. No.: **28,594**

[22] Filed: **Sep. 26, 1994**

[52] U.S. Cl. .... **D13/110; D13/103**

[58] Field of Search ..... D13/110, 119, D13/103; D14/240; 320/2, 3, 4, 15; 336/92, 107; 363/146

[56] **References Cited**

**U.S. PATENT DOCUMENTS**

D. 340,246	10/1993	Newman	.....	D14/240
3,530,350	9/1970	Gawron et al.	.....	363/146 X
4,109,193	8/1978	Schultheis	.....	363/146 X
4,405,980	9/1983	Hicks, Jr.	.....	320/2
5,059,885	10/1991	Weiss et al.	.....	320/2
5,159,256	10/1992	Mattinger et al.	.....	320/2

5,187,026	2/1993	Scrivano	.....	429/96
5,187,422	2/1993	Izenbaard et al.	.....	320/15 X
5,192,904	3/1993	Leiserson	.....	320/2

*Primary Examiner*—Joel Sincavage  
*Attorney, Agent, or Firm*—James A. Hudak

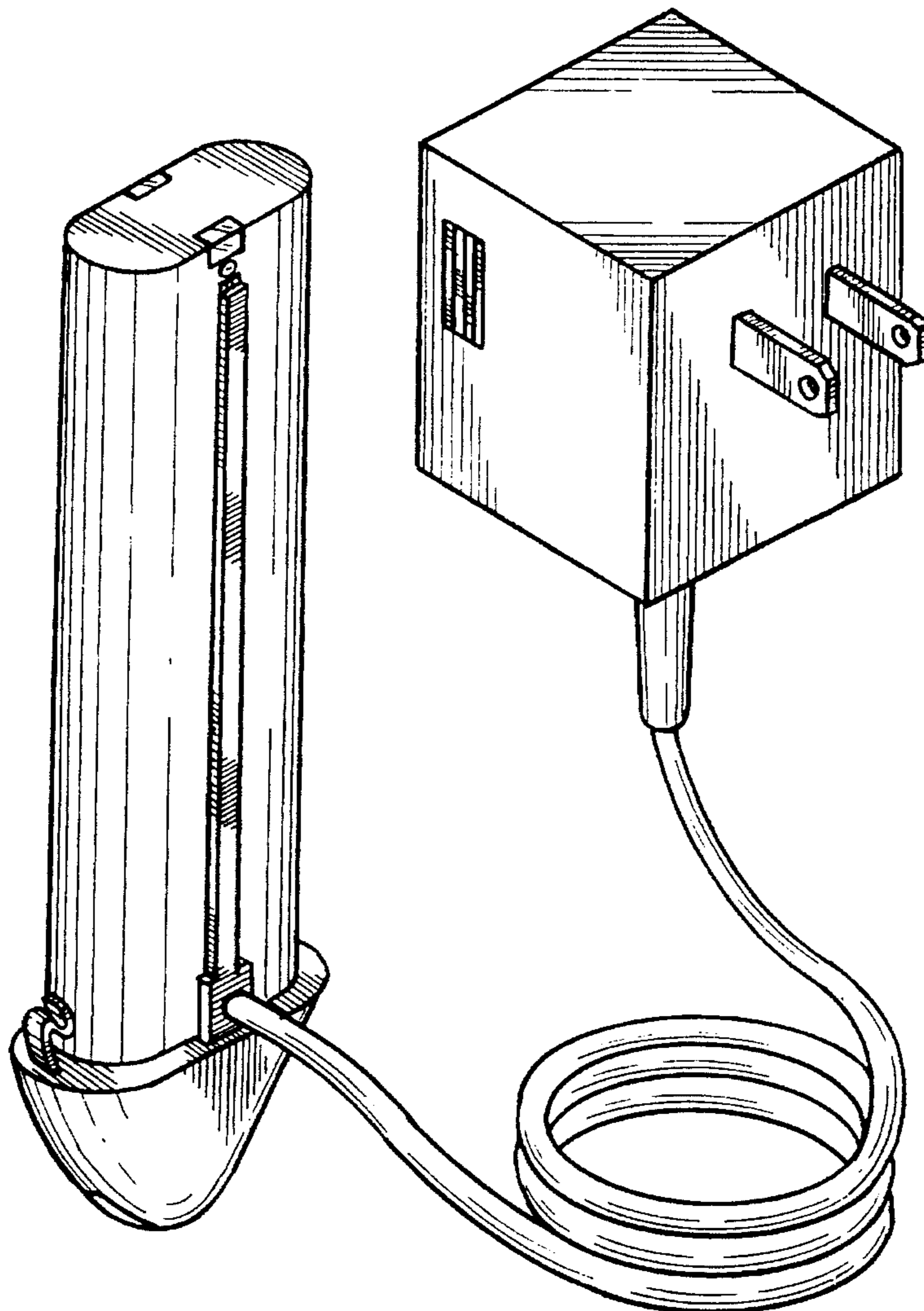
[57] **CLAIM**

The ornamental design for a 9.6V battery eliminator cartridge, as shown and described.

**DESCRIPTION**

FIG. 1 is a perspective view of the battery eliminator cartridge showing my new design; FIG. 2 is a front elevational view thereof; FIG. 3 is a rear elevational view thereof; FIG. 4 is a right side elevational view thereof; FIG. 5 is a left side elevational view thereof; FIG. 6 is a top plan view thereof; and, FIG. 7 is a bottom plan view thereof.

**1 Claim, 4 Drawing Sheets**



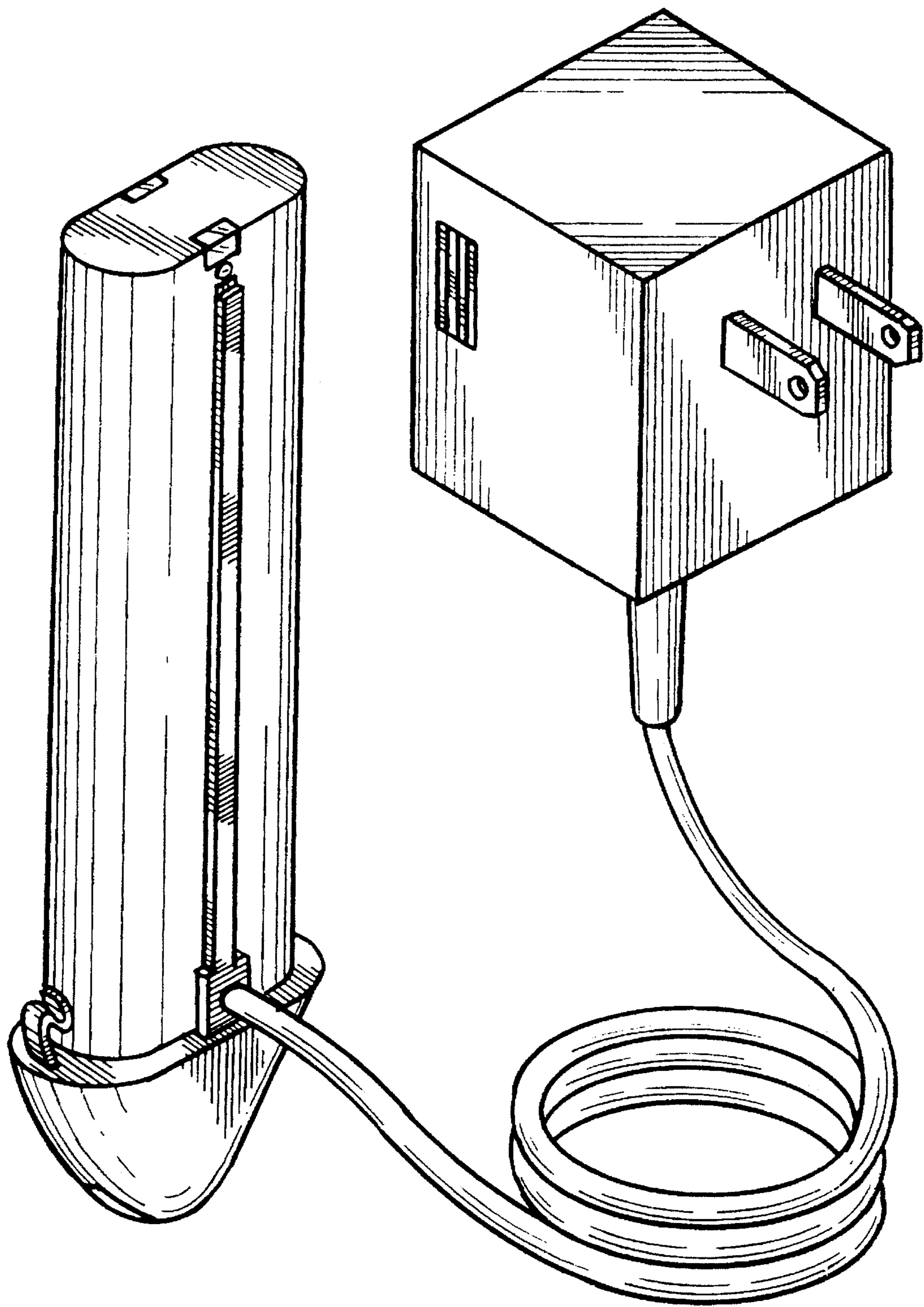


FIG. 1.

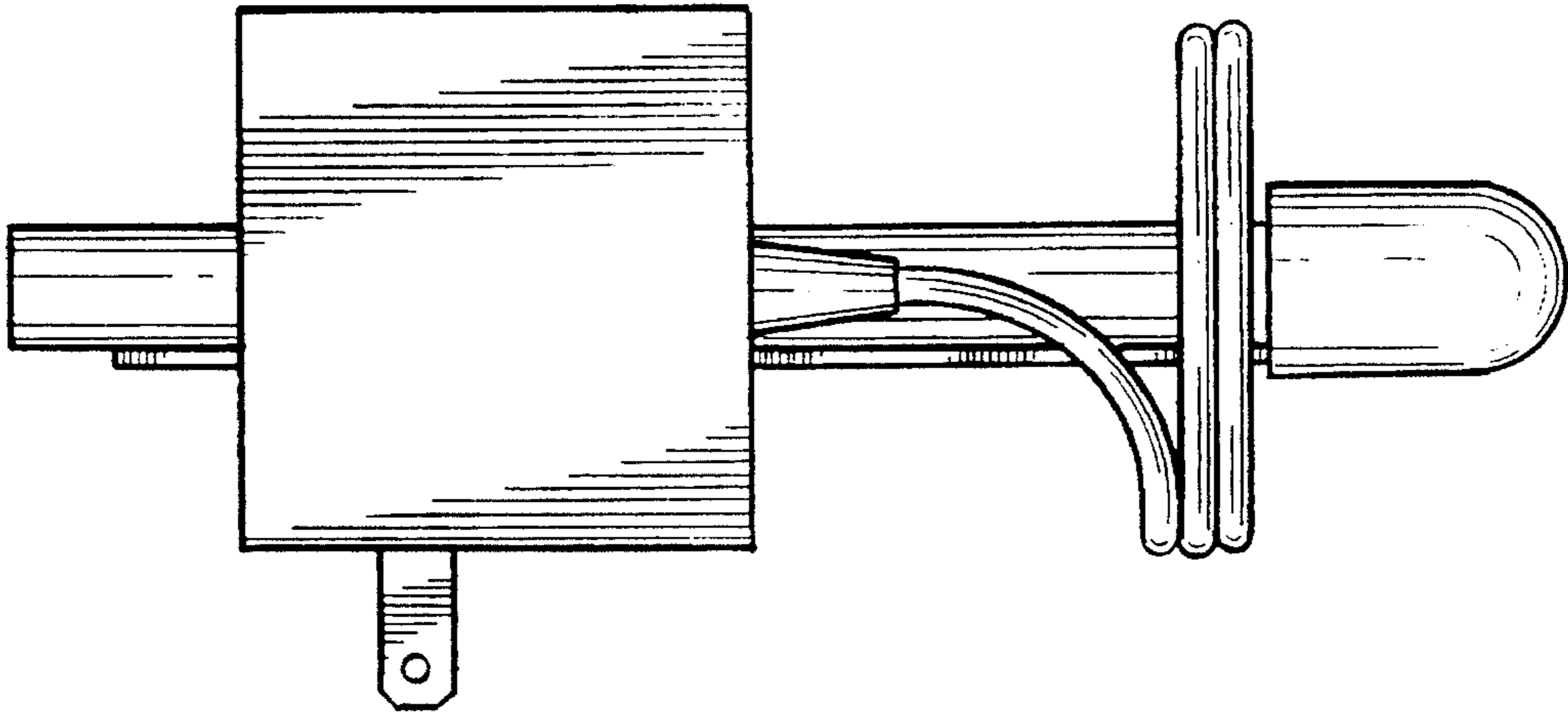


FIG. 4.

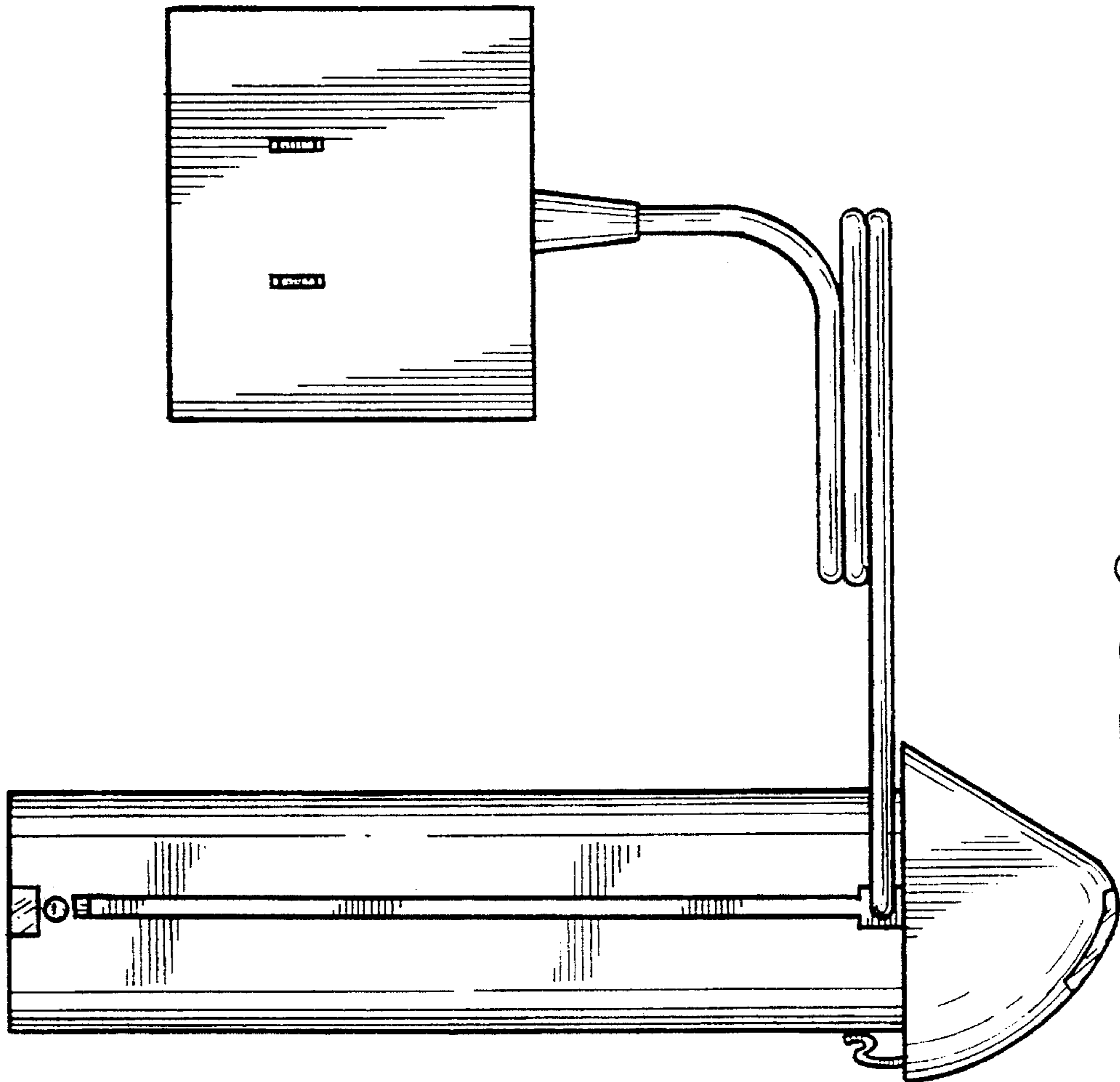


FIG. 2.

FIG. 7.

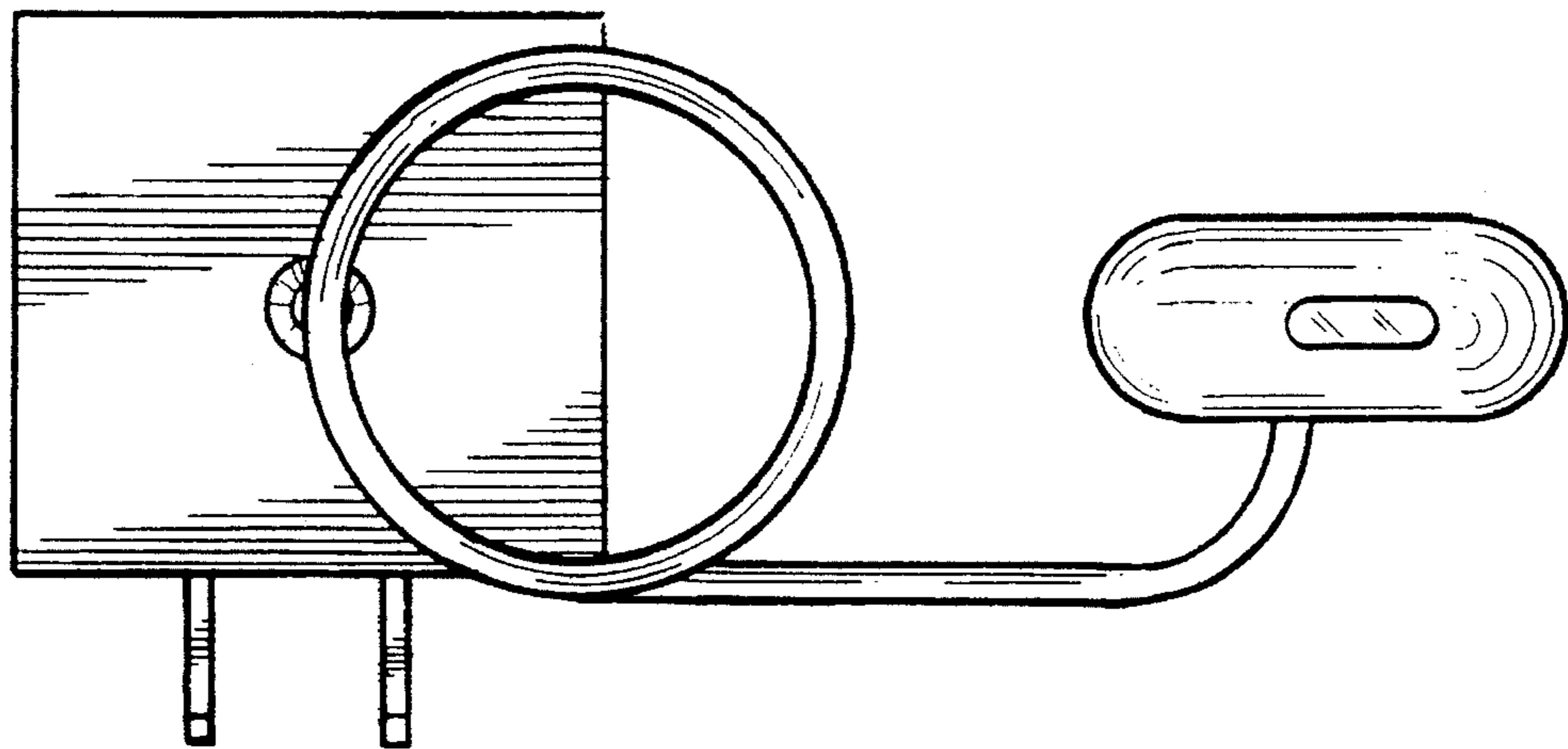


FIG. 3.

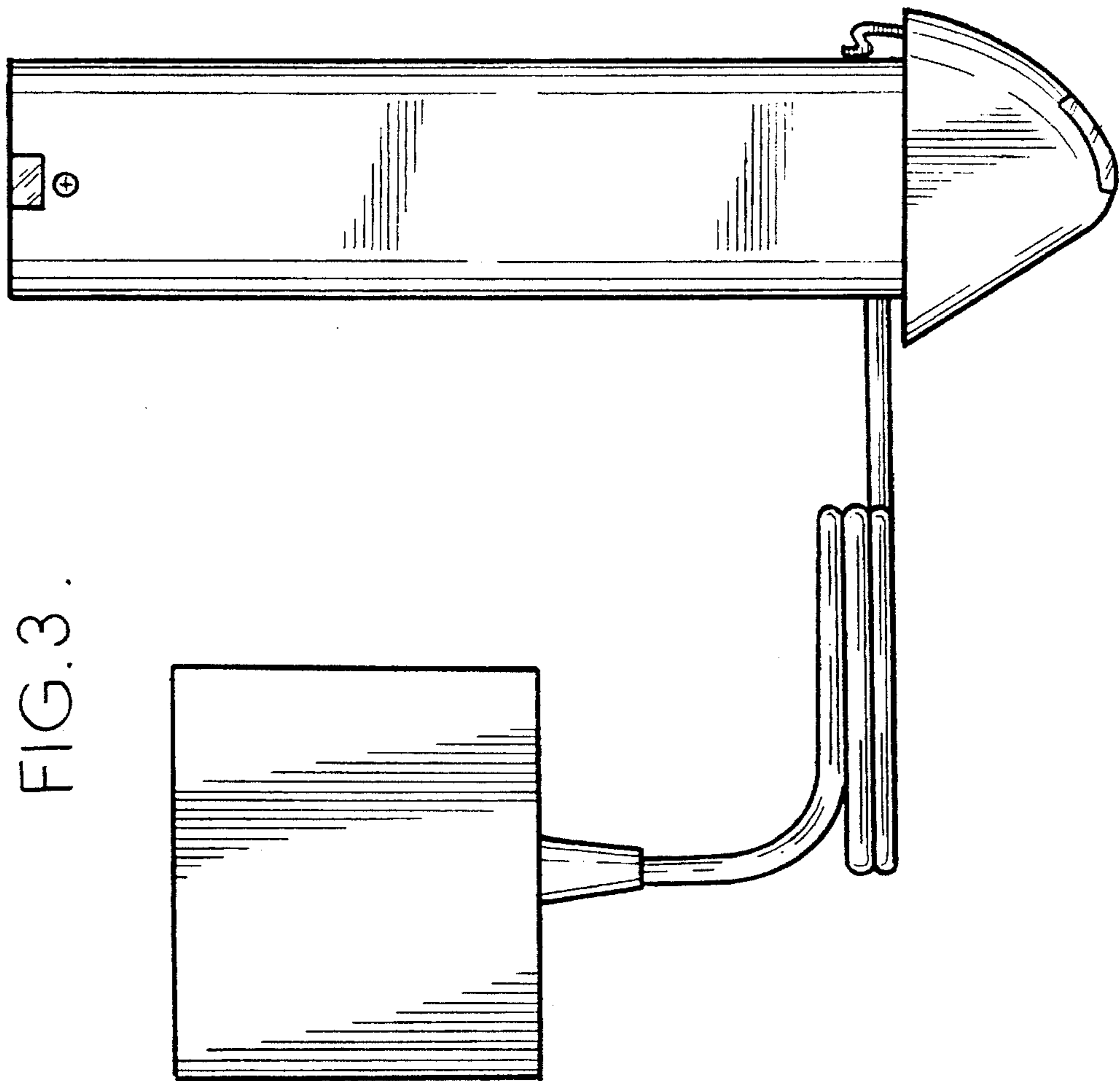


FIG. 5.

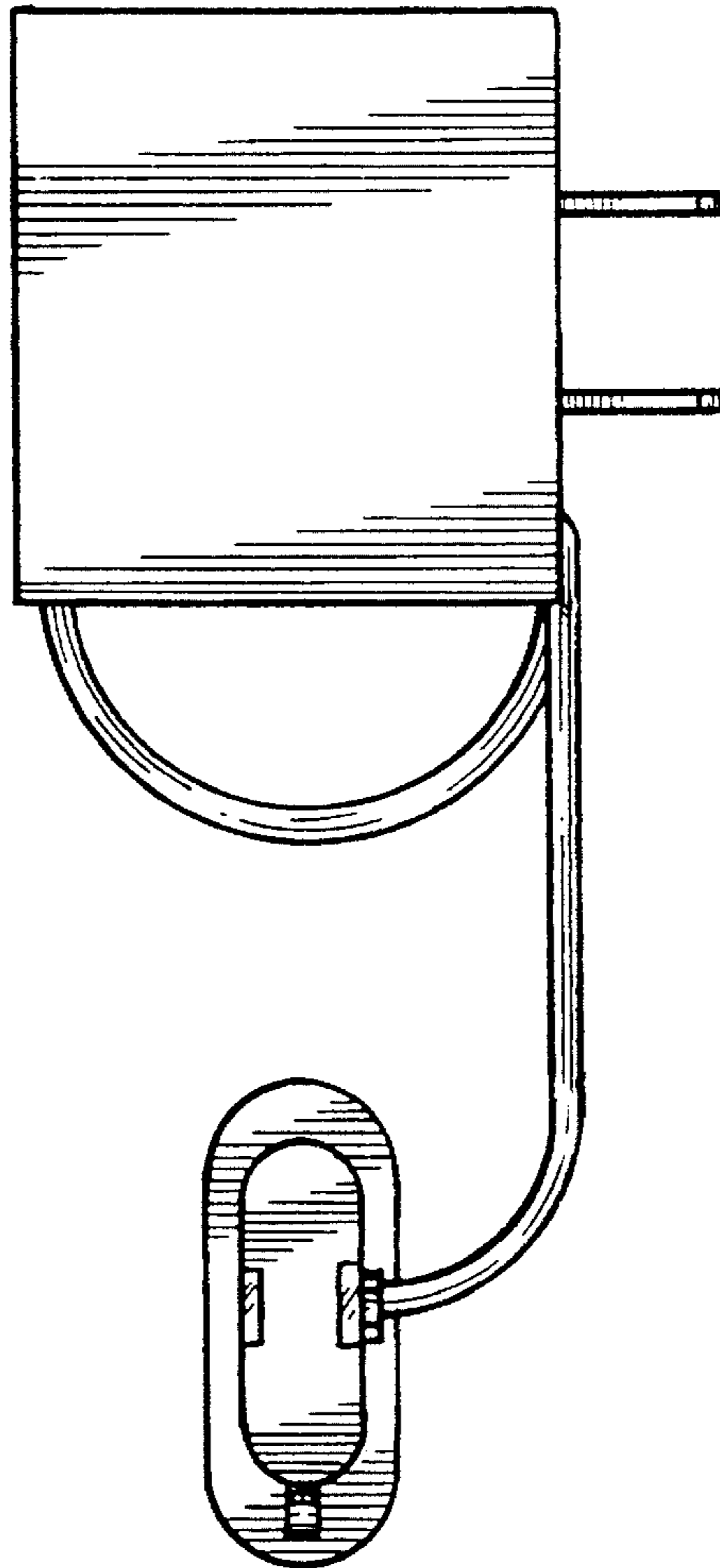
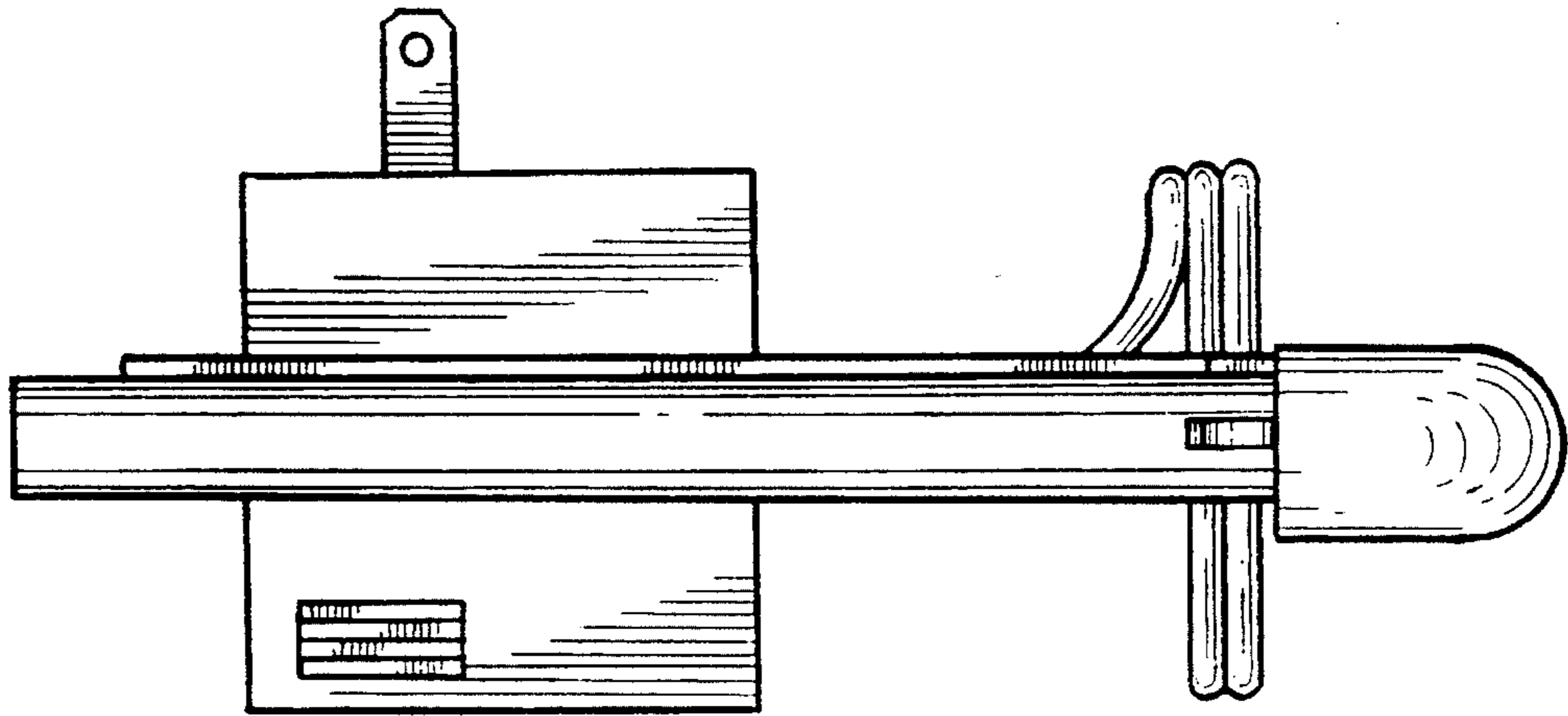


FIG. 6.