



US00D367255S

United States Patent [19] Rey

[11] Patent Number: **Des. 367,255**

[45] Date of Patent: ****Feb. 20, 1996**

[54] BATTERY

[75] Inventor: **Gonzalo C. Rey**, Joplin, Mo.

[73] Assignee: **Eagle-Picher industries, Inc.**, Cincinnati, Ohio

[**] Term: **14 Years**

[21] Appl. No.: **35,398**

[22] Filed: **Feb. 27, 1995**

[52] U.S. Cl. **D13/103**

[58] Field of Search D13/103; 429/97, 429/98, 99, 121, 159, 163, 176

[56] **References Cited**

U.S. PATENT DOCUMENTS

D. 240,787	8/1993	Goldschmidt et al.	429/97
2,355,197	8/1944	Anthony et al.	429/159 X
4,125,681	11/1978	Sjogren	429/99
4,724,189	2/1988	Chase	429/99
4,806,440	2/1989	Hahs, Jr. et al.	429/97 X

FOREIGN PATENT DOCUMENTS

975842 10/1975 Canada 429/159

Primary Examiner—Joel Sincavage
Attorney, Agent, or Firm—Wood, Herron & Evans

[57] **CLAIM**

The ornamental design for a battery, as shown and described.

DESCRIPTION

FIG. 1 is a perspective view of a battery embodying my new design;

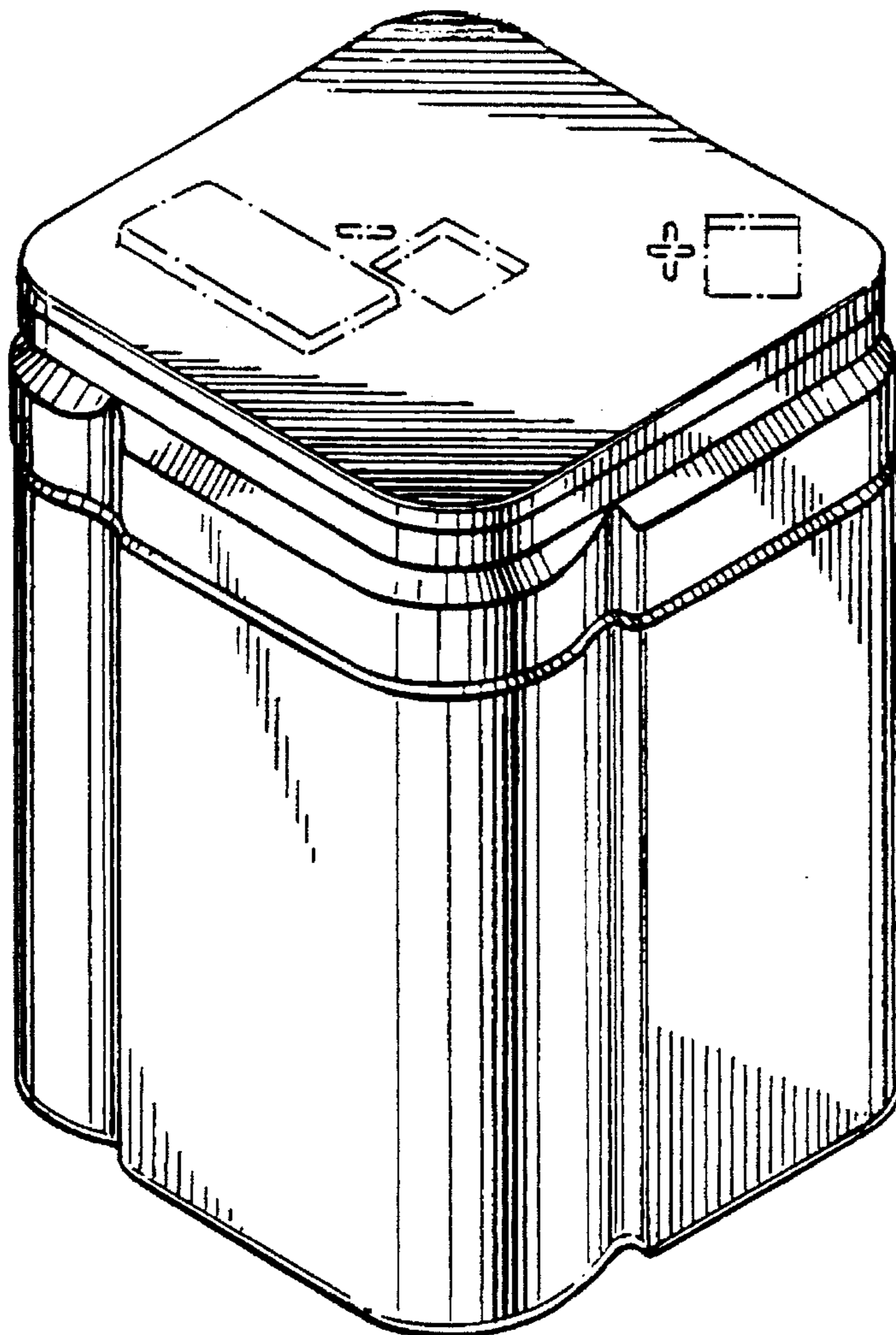
FIG. 2 is a side elevation of the battery, the other three sides all being the same;

FIG. 3 is a top plan view of the battery; and,

FIG. 4 is a bottom plan view of the battery.

The broken line showing in FIG. 1 is included for the purpose of illustrating environmental structure only and forms no part of the claimed design.

1 Claim, 1 Drawing Sheet



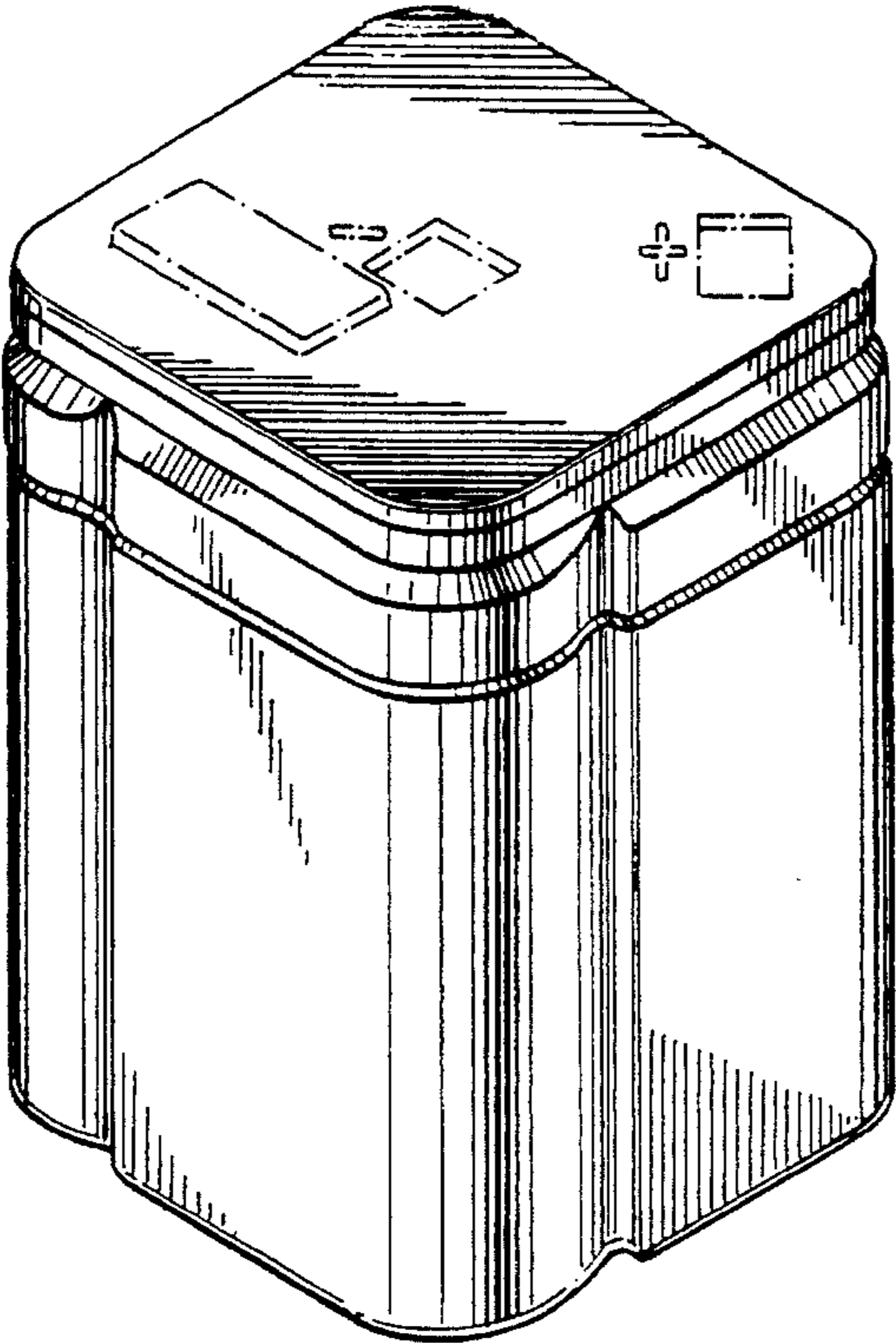


FIG. 1

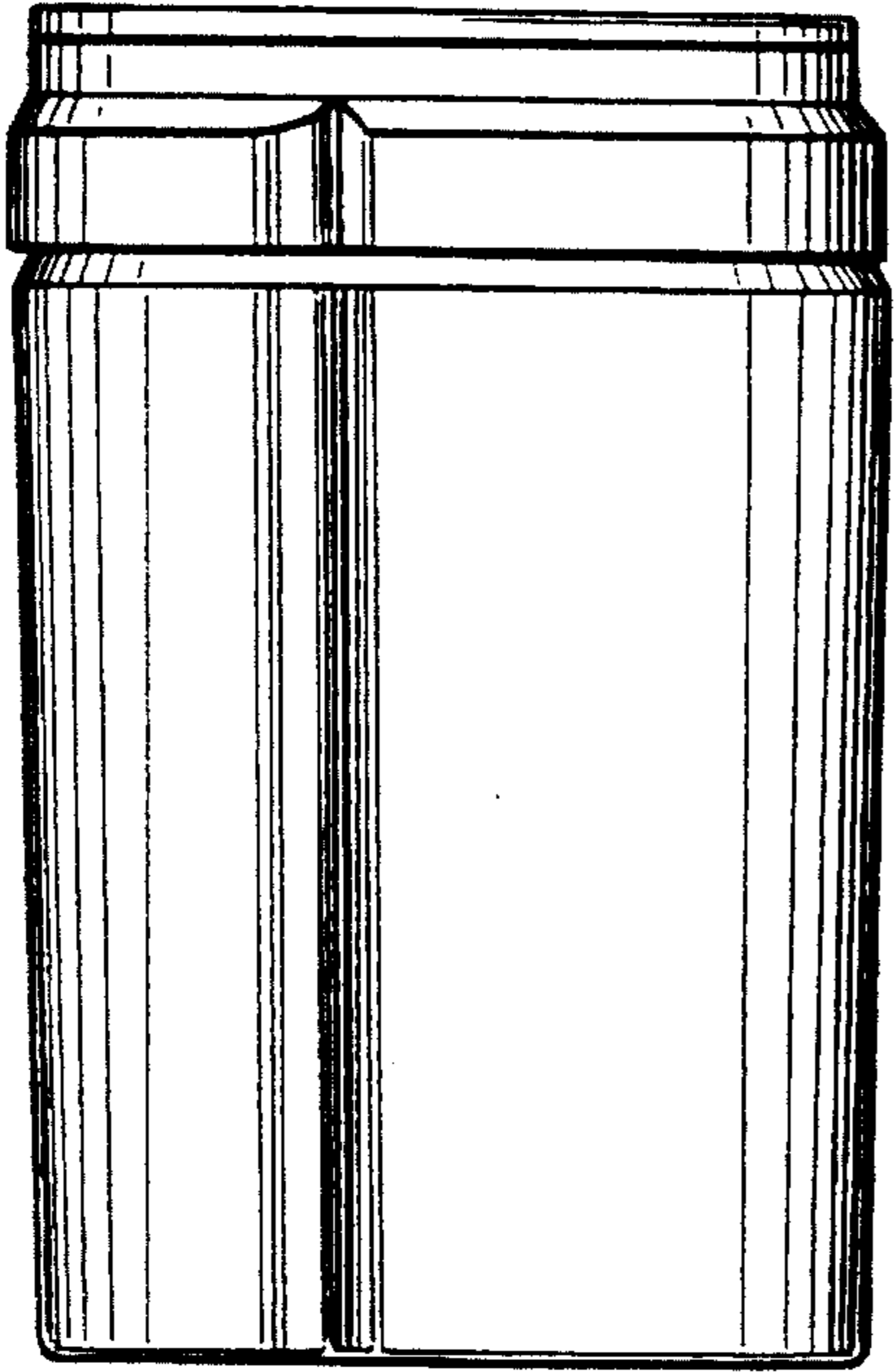


FIG. 2

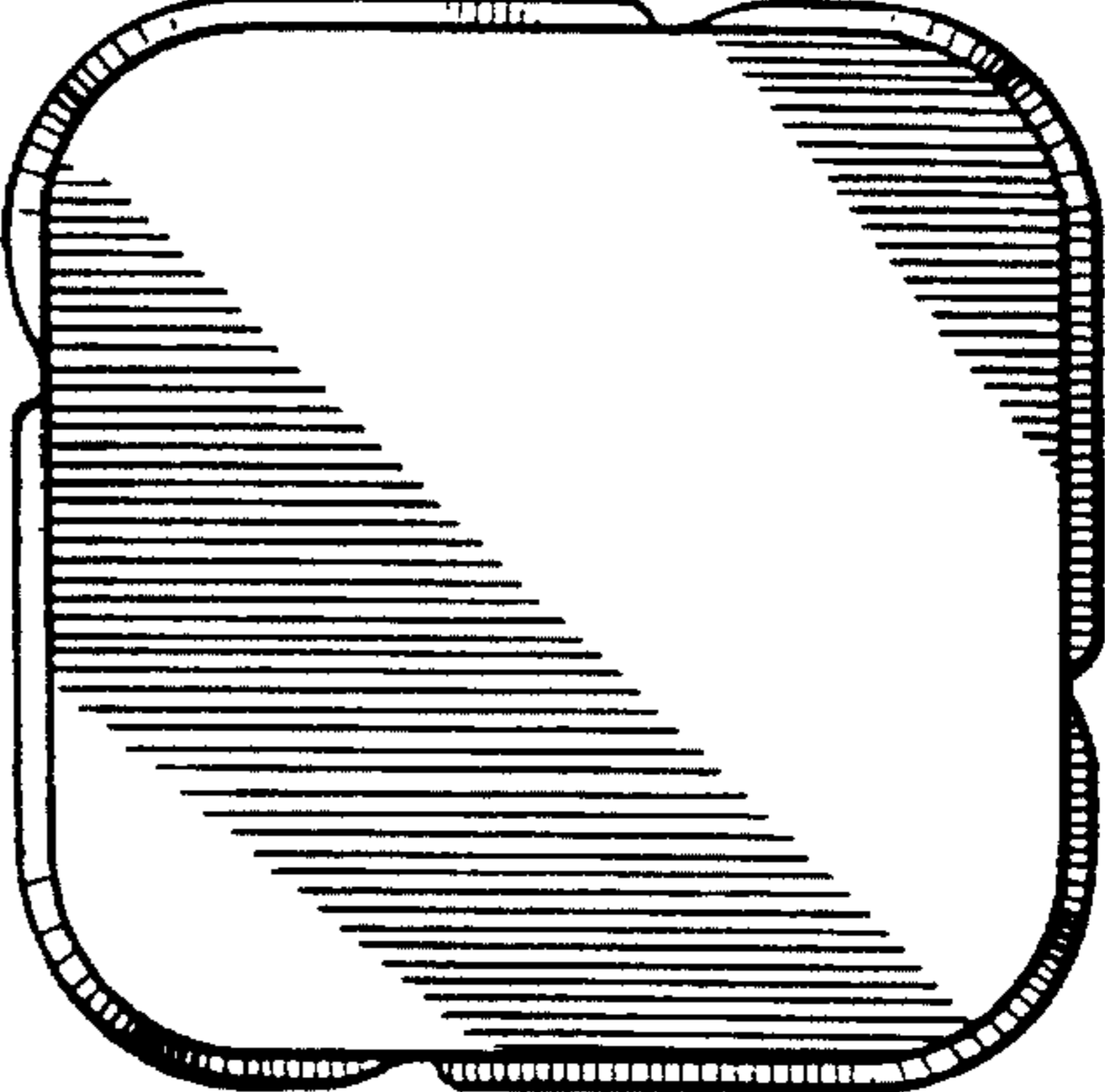


FIG. 3

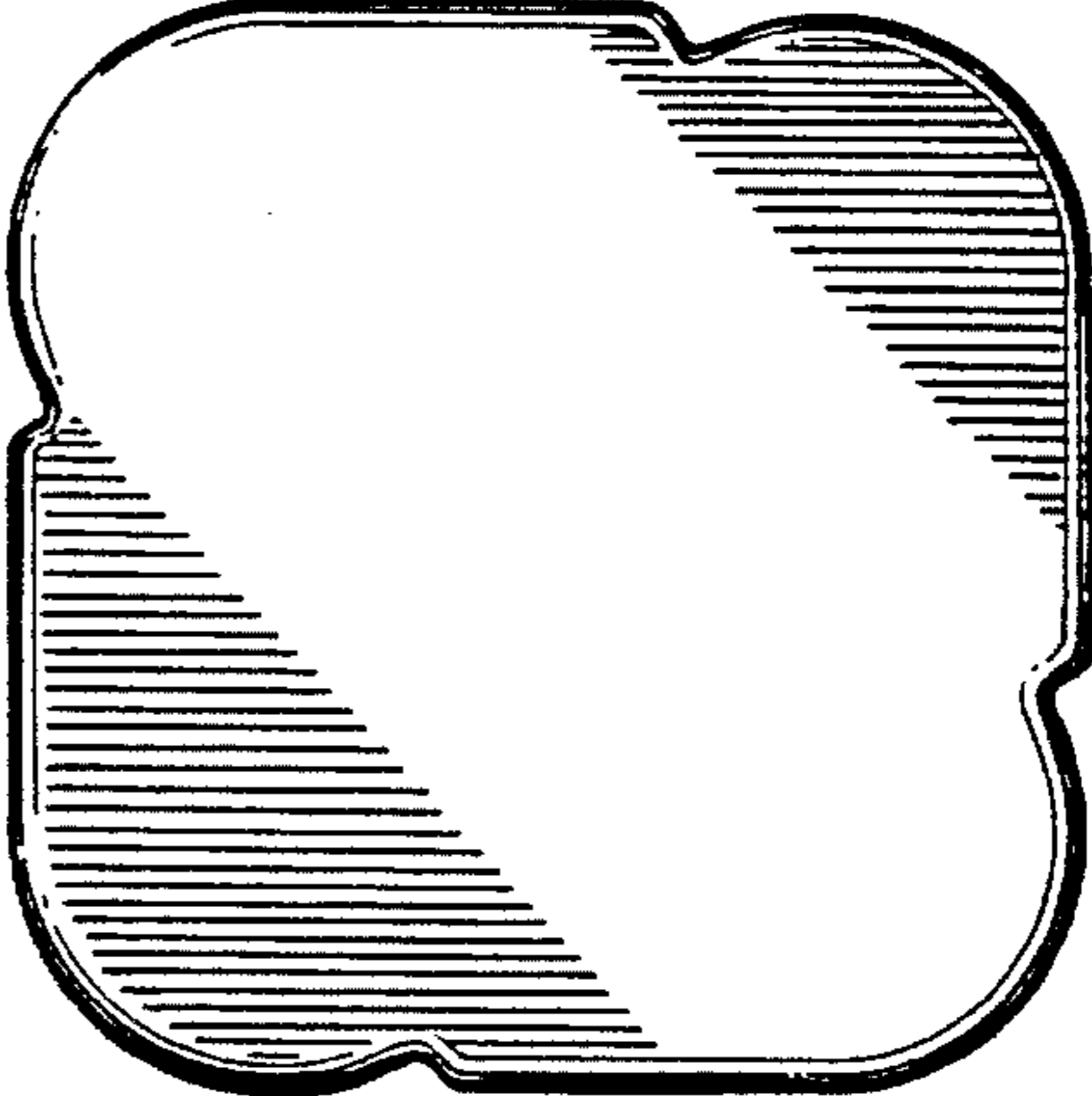


FIG. 4